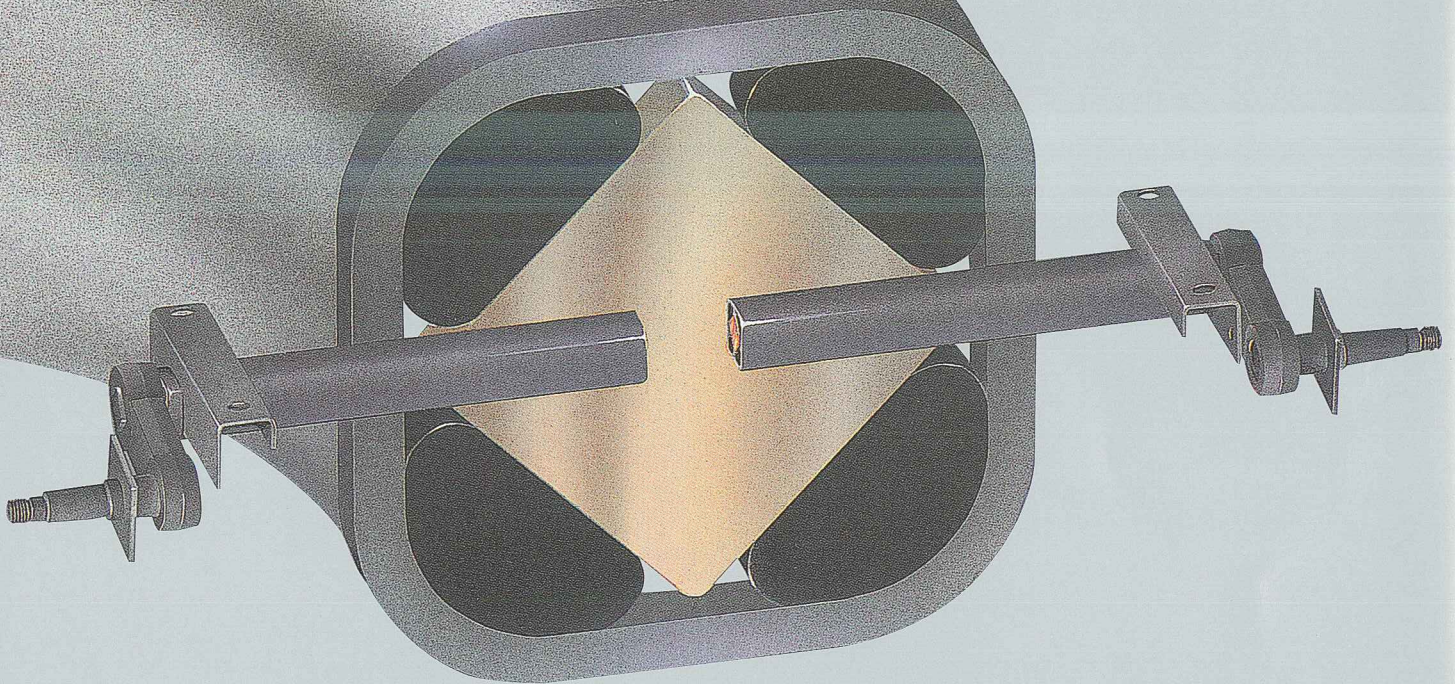
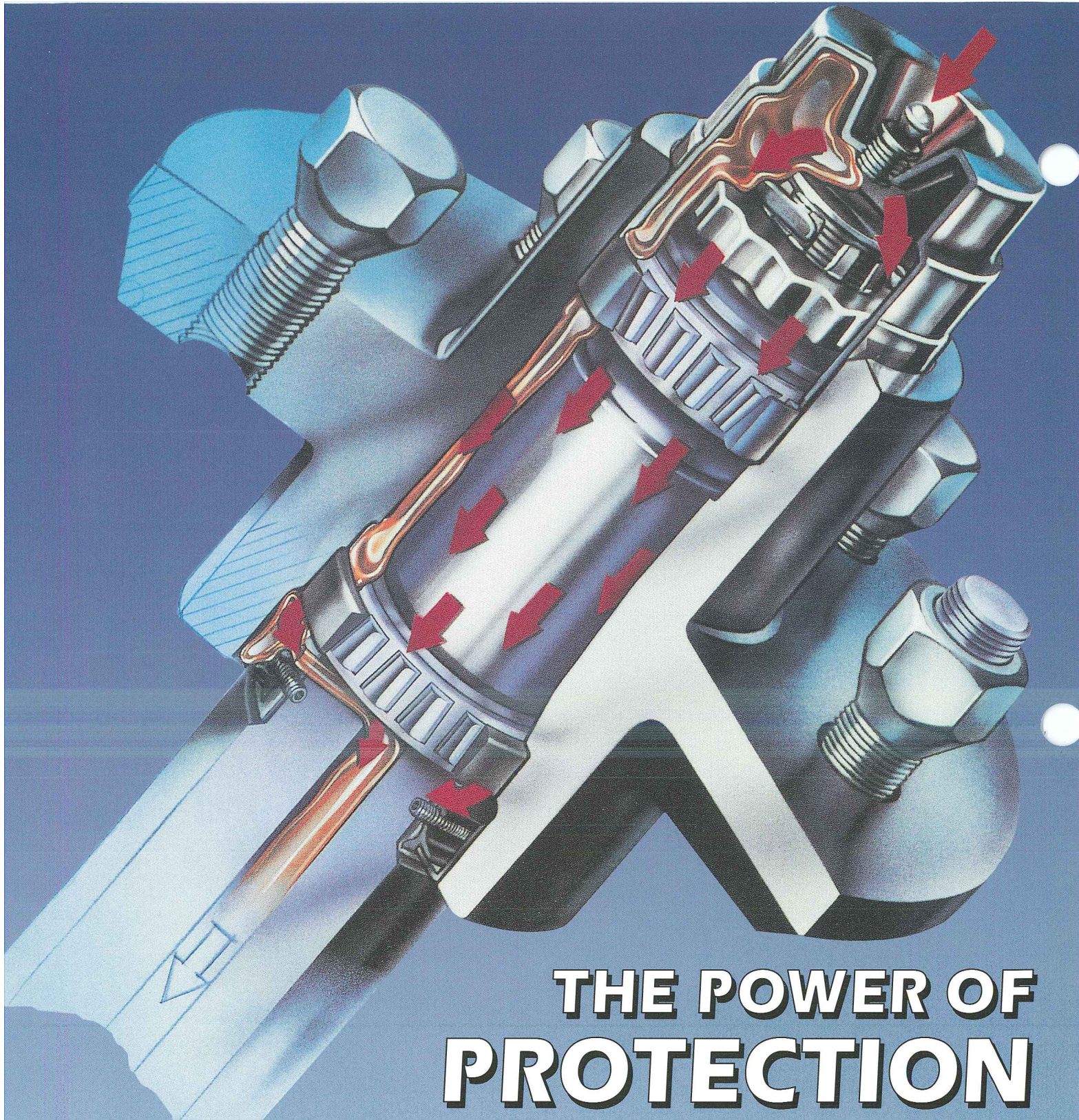


RELIABLE

RUBBER TORSION AXLES

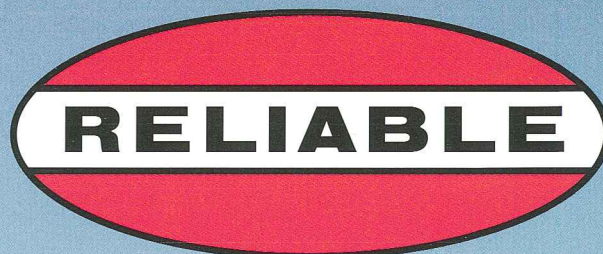


RELIABLE TOOL & MACHINE CO., INC.
QUALITY & SERVICE



THE POWER OF PROTECTION

When it comes to protection, nothing beats the patented power of **Sure Lube**. There are no springs, rubber plugs, or o-rings. **Sure Lube** uses a revolutionary double lip spring-loaded seal that *ensures* outer/inner bearing protection from corrosion, wear, and water entry. It's a time saver, too! **Sure Lube** lets you grease or repack bearings with just a hand grease gun and *without disassembly!* When only the best will do, use **Sure Lube** from Reliable. Call us today at (260) 347-4000



Reliable Tool & Machine Co., Inc.
Box 757 • Kendallville, Indiana 46755 • (260) 347-4000
FAX (260) 347-5552

<http://www.reliabletool.com> • e-mail: sales@reliabletool.com



CONDITIONS OF SALE

ORDERS: All orders are subject to acceptance by Reliable.

TERMS: C.O.D., Credit Card, or Cash in Advance until credit is approved. Net 30 Days upon credit approval.

FREIGHT: F.O.B. Reliable Tool & Machine Co., Inc., Kendallville, Indiana or Reliable Axle - Manchester Division, Manchester, TN. All orders shipped U.P.S. will be subject to a handling charge. Most axles must be shipped by commercial truck or customer pickup.

LOSS OR DAMAGE IN TRANSIT: Our responsibility ceases with delivery to the carrier, at which time title passes to the purchaser and all claims for loss, damage, and delay must be made to the carrier by the purchaser. Assistance in the form of shipping document copies is available upon request.

RETURNED GOODS: Returned merchandise will not be accepted without prior written authorization. Reliable will consider for return only standard catalog items in original package and materials of current design. Upon inspection and approval of returned goods, the terms of credit are as follows:

1. The original purchase price
2. Less 20% restocking charge
3. Less all freight cost paid by Reliable
4. Less all rework costs incurred in placing the goods in sellable condition

Transportation charges on returned goods must be prepaid. Reliable will accept return of merchandise which is defective or was supplied in error by Reliable for full credit. Reliable will not accept returns of any merchandise which is specially fabricated in any way. Reliable reserves the right to determine the receiving point of such returns regardless of the original shipping point. **Reliable must be notified of any claims for shortages of product no later than 30 days from the date customer receives shipment.**

CANCELLATION: All or any part of any order of standard items accepted by Reliable may be cancelled without charge if written instructions are received at the factory prior to shipment. Orders for specials are not cancelable, unless purchaser agrees to remit to Reliable an amount, determined by Reliable, covering costs, etc., incurred up to the point that such cancellation notice is received by us in writing. User shall determine the suitability of the product for his intended use and assume all risk and liability in connection therewith. Reliable's only obligation shall be to replace such quantity of the product proven to be defective as shipped by Reliable.

CAPACITIES AND WARRANTIES: Capacities, as stated in our catalog, reflect the standard load ratings as established and accepted throughout the industry. The use of these products for other than their intended use for free rolling applications, such as driven wheels, power steering, tandem axles, hillside operations and rough terrains, or alterations made to our products without our written approval, may reduce their capacities and void this warranty.

Reliable Tool & Machine warrants their products to be free from defects in workmanship and material under normal service and use. Warranty of component parts purchased from outside manufacturers for resale by Reliable shall be limited to the warranty of the respective manufacturer of such parts. The exclusive remedy offered under this warranty is repair or replacement of a covered defect and Reliable shall determine whether repair or replacement is appropriate. Reliable's obligation under this warranty is limited to the repair or replacement of the defective parts and is not liable for any incidental or consequential damages to property or persons, including any towing fees, hotel expenses, telephone calls and meals.

This warranty is exclusive and in lieu of all other warranties except that of title, whether written, oral or implied. Any warranty in fact or in law including any warranty of merchantability or fitness for a particular purpose, are hereby excluded from this contract.

A COMPLETE COPY OF OUR WARRANTY POLICY IS AVAILABLE UPON REQUEST.

PRICES: Orders are accepted with understanding that the goods will be billed at the price in effect at the time of shipment, unless otherwise specified in quotation.

TAXES: The amount of any present or future sales or other similar tax applicable to the material sold hereunder shall be added to the prices contained herein and paid by the purchaser in the same manner and with the same effect as if originally added thereto.

PROMISE DATES: Any promise dates toward shipment of all or any part of any order, whether given prior to or after placement of said order, are determined to the best of our ability, but are in no way guaranteed. Reliable, therefore, is not indemnitor for any damages, losses, or claims whatsoever due to inability to meet such promises.

SHIPPING CONTAINERS: All shipping containers are non-returnable. Skid charges will apply.

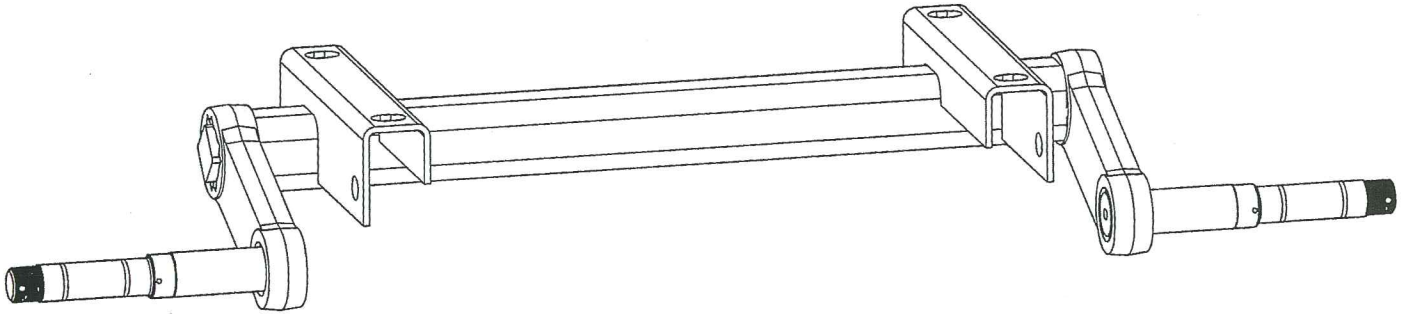
ALL ORDERS RECEIVED BY RELIABLE ARE AN INDICATION THAT THE CUSTOMER HAS READ, FULLY UNDERSTANDS, AND ACCEPTS ALL OF RELIABLE'S TERMS AND CONDITIONS.



RUBBER TORSION AXLE ASSEMBLIES

1000-2000 lb. Series #9 - BT

Applications: Boat Trailers Camping Trailers
 Utility Trailers Snowmobile Trailers



AXLE: Series 9 rubber torsion.

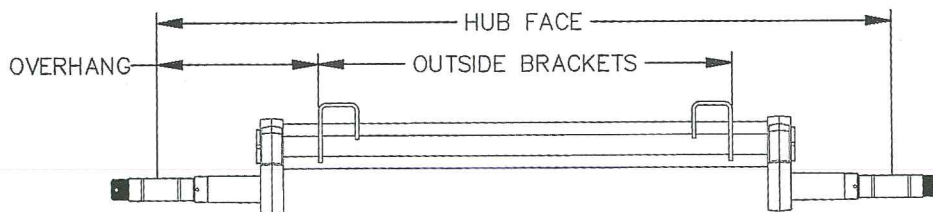
SPINDLE: Type BT spindle with inner and outer journal dimension of 1" or 1 1/16".

BRAKES: 7" x 1 1/4" electric brakes or 7" x 1 3/4" hydraulic brakes.

BRACKETS: Standard, low profile, and high-rise.

HUB / DRUM: Idlers and Brake Drums available in different bolt circles. Studded with stud nuts or drilled and tapped with lug bolts.

LUBRICATION: Lithium base grease. The Sure Lube spindle is standard.



| Style | Spindle Type | Flange Available | Hub Face | | Overhang | |
|----------|--|------------------|----------|---------|----------|---------|
| | | | Minimum | Maximum | Minimum | Maximum |
| 1000 Lb. | BT - 1" Bearing Journal - 1 1/4" Seal* | No | 32" | 94" | 5.75" | 12" |
| | BT - 1 1/16" Bearing Journal - 1 1/4" Seal | Yes | 34" | 94" | 6.75" | 12" |
| | BT - 1 1/16" Bearing Journal - 1 1/2" Seal | Yes | 34" | 94" | 6.75" | 12" |
| 1500 Lb. | BT - 1" Bearing Journal - 1 1/4" Seal* | No | 40" | 94" | 5.75" | 12" |
| | BT - 1 1/16" Bearing Journal - 1 1/4" Seal | Yes | 42" | 94" | 6.75" | 12" |
| | BT - 1 1/16" Bearing Journal - 1 1/2" Seal | Yes | 42" | 94" | 6.75" | 12" |
| 2000 Lb. | BT - 1 1/16" Bearing Journal - 1 1/4" Seal | Yes | 24" | 94" | 6.75" | 12" |
| | BT - 1 1/16" Bearing Journal - 1 1/2" Seal | Yes | 24" | 94" | 6.75" | 12" |

*Axles with 1" BT type spindle can not be used with 20.5" x 8" x 10" or 18.5" x 8.5" x 8" tires.

HUB FACE: The distance from one hub face to the other. Hub face is also known as the mounting surface.

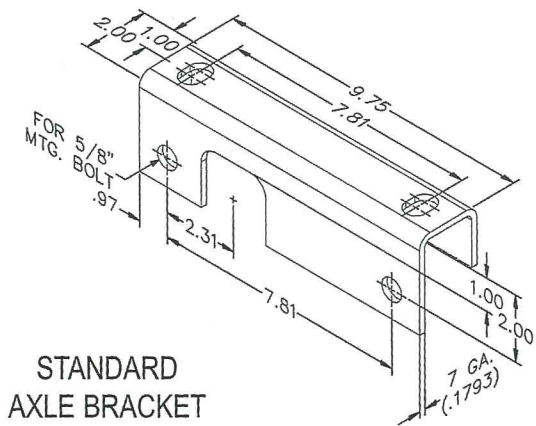
OUTSIDE OF BRACKET: Outside of trailer frame to outside of frame.

RELIABLE HINTS: If tip of spindle to tip of spindle is known, subtract 4.59 to get hub face.
 If brake flange face to brake flange face is known, add 6.93 to get hub face.

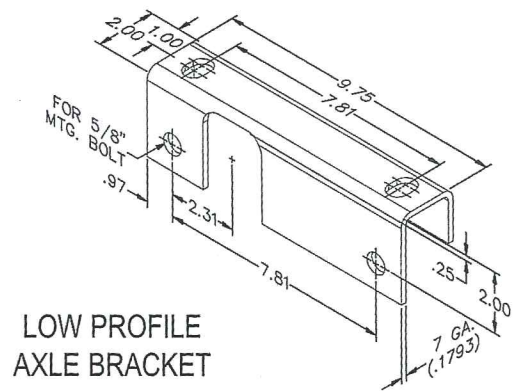


AXLE BRACKETS - STARTING ANGLES

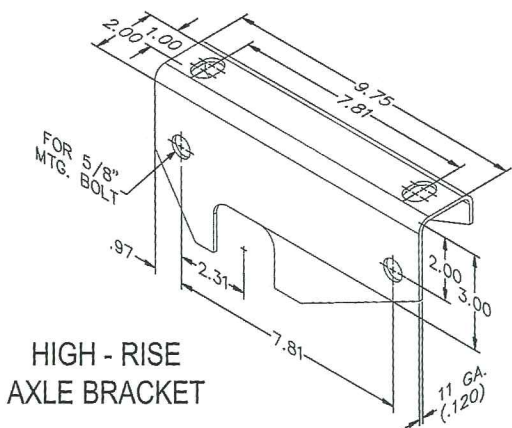
1000-2000 lb. Series #9 - BT



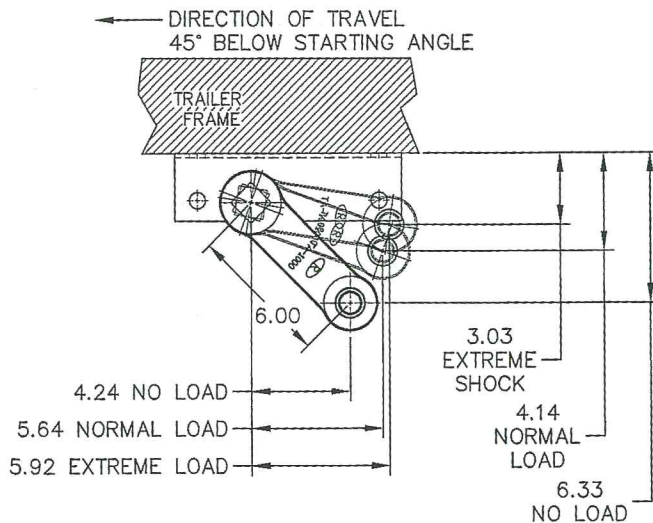
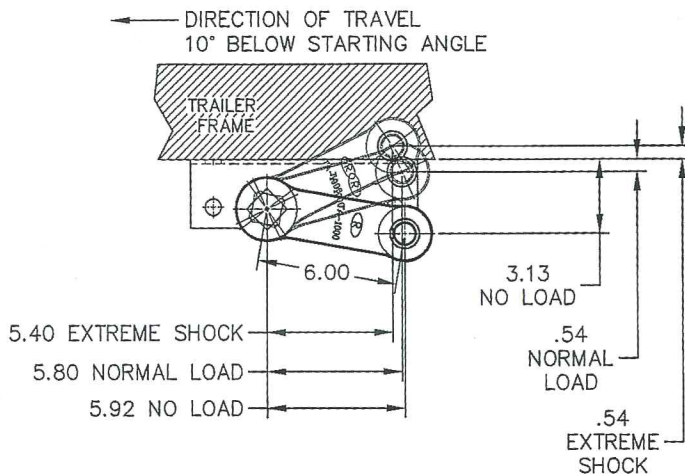
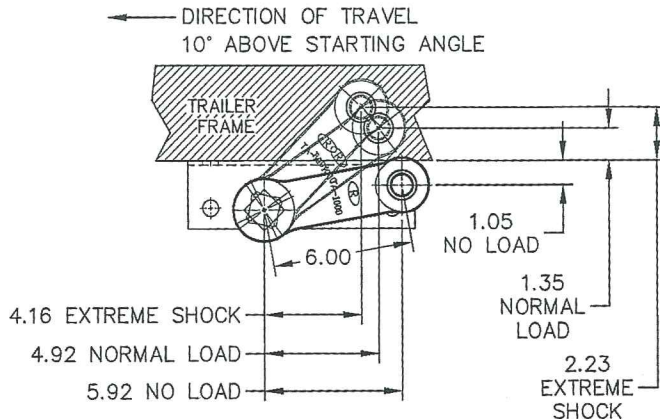
STANDARD AXLE BRACKET



LOW PROFILE AXLE BRACKET



HIGH - RISE AXLE BRACKET



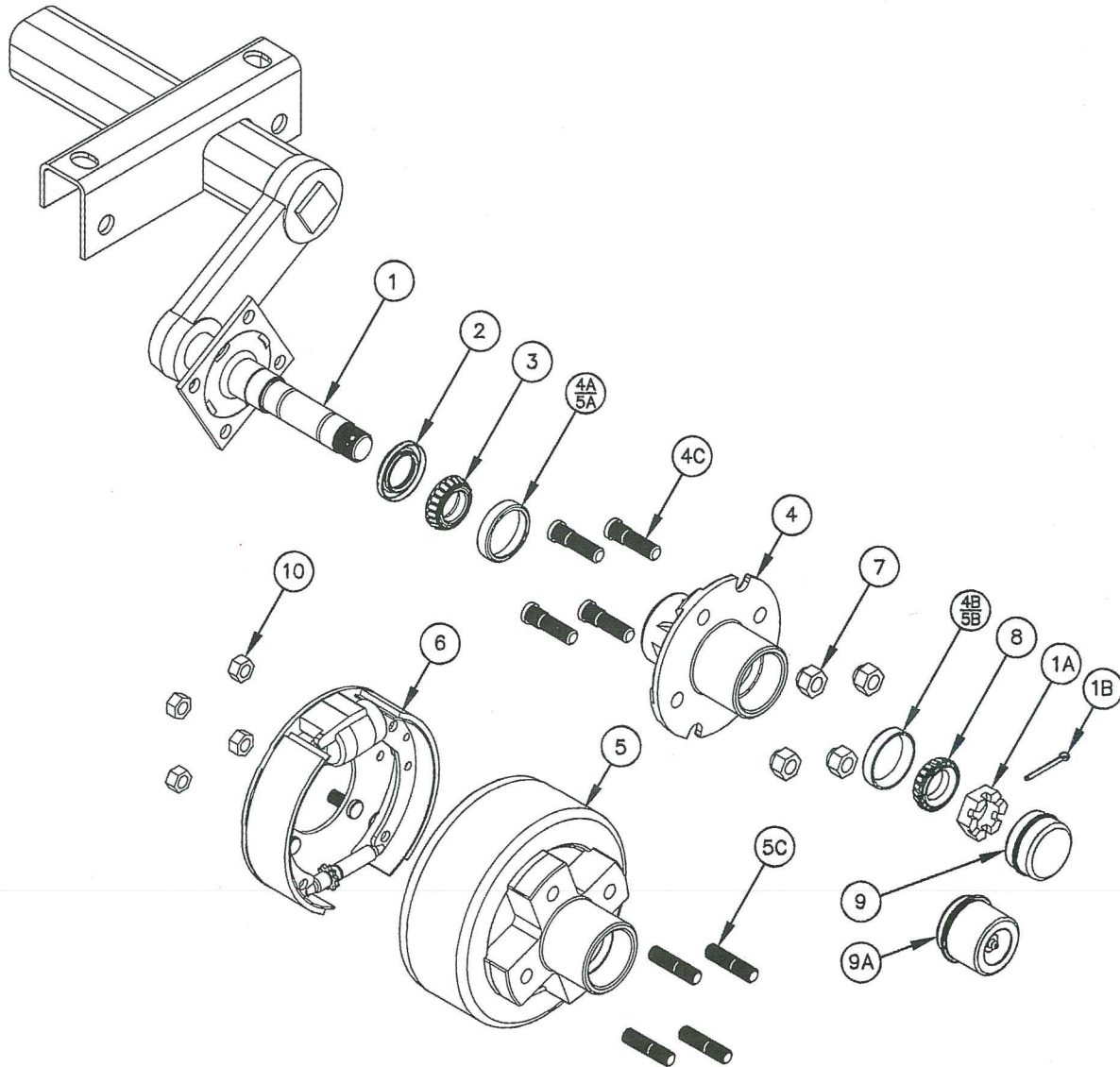
Standard starting angles are shown.
Special angles may be available upon request.

4 1/2" of clearance in unloaded position is recommended above tire to avoid interference.

Standard axle brackets were used for determining heights.
Low profile and high-rise brackets are available upon request.

1000-2000 lb. Rubber Torsion Hub and Drum Options

Axles are available in beam only and with hubs or drums assembled and greased.



| Detail | Part Number | Description |
|--------|----------------|---|
| 1 | To Be Assigned | Rubber Torsion Axle - 1000-2000 lbs. |
| 1A | SN-1000 | Spindle Nut - 1"-14 |
| 1B | SCP-103 | Cotter Pin - 5/32" x 1 1/2" |
| 2 | SL-122-1 | Grease Seal - 1 1/4" I.D. |
| | SL-150-1 | Grease Seal - 1 1/2" I.D. |
| 3 | L44643 | Inner Bearing Cone - 1" I.D. |
| | L44649 | Inner Bearing Cone - 1 1/16" I.D. |
| 4 | 1-100-04-00 | Idler Hub - 4 on 4" |
| | 1-150-04-00 | Idler Hub - 5 on 4 1/2" (5 9/16" Dia. Flange) |
| | 1-151-04-00 | Idler Hub - 5 on 4 1/2" (6 1/2" Dia. Flange) |
| 4A | L44610 | Inner Bearing Cup |
| 4B | L44610 | Outer Bearing Cup |
| 4C | ST-502-04 | Pressed-in Stud - 1/2"-20 |

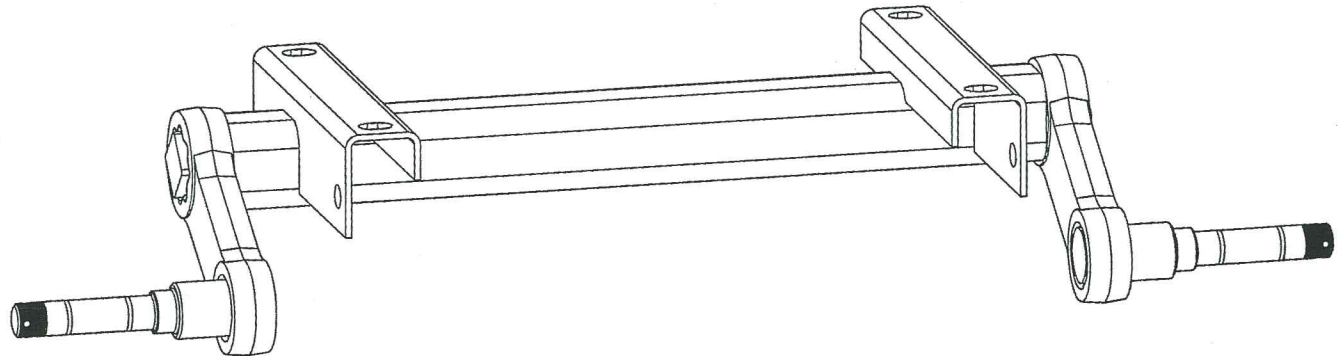
| Detail | Part Number | Description |
|--------|------------------------|-----------------------------------|
| 5 | 5-700A-04-00 | Brake Drum - 4 on 4" |
| | 5-700C-04-00 | Brake Drum - 5 on 4 1/2" |
| 5A | L44610 | Inner Bearing Cup |
| 5B | L44610 | Outer Bearing Cup |
| 5C | ST-500 | Screwed-in Stud - 1/2"-20 |
| 6 | EBLH-0700 EBRH-0700 | Electric Brake - 7" x 1 1/4" |
| | HBLH-0700 HBRH-0700 | Hydraulic Brake - 7" x 1 3/4" |
| | | |
| 7 | STN-506 | Stud Nut - 1/2"-20 x 60° |
| 8 | L44643 | Outer Bearing Cone - 1" I.D. |
| | L44649 | Outer Bearing Cone - 1 1/16" I.D. |
| 9 | 1505 | Dust Cap |
| 9A | GC-1980-01 | Sure Lube Grease Cap |
| 10 | FLN-437 | Flange Lock Nut - 7/16"-20 |



RUBBER TORSION AXLE ASSEMBLIES

2100-2700 lb. Series #10 - BT

Applications: Boat Trailers Camping Trailers
 Utility Trailers Snowmobile Trailers



AXLE: Series 10 rubber torsion.

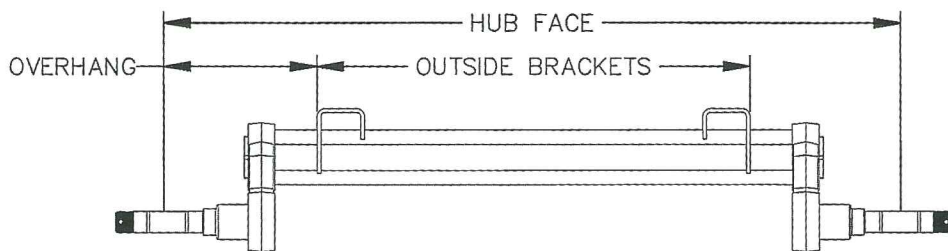
SPINDLE: Type BT spindle with inner journal dimension of 1 1/16" and outer journal dimension of 1 1/16".

BRAKES: 7" x 1 1/4" electric brakes or 7" x 1 3/4" hydraulic brakes.

BRACKETS: Standard, low profile, and high-rise. Adapting plate kits (for bolt-on) are available upon request.

HUB / DRUM: Idlers and Brake Drums available in different bolt circles. Studded with stud nuts or drilled and tapped with lug bolts.

LUBRICATION: Lithium base grease. The Sure Lube spindle is standard.



| Style | Spindle Type | Flange Available | Hub Face | | Overhang | |
|----------|--|------------------|----------|---------|----------|---------|
| | | | Minimum | Maximum | Minimum | Maximum |
| 2100 Lb. | BT - 1 1/16" Bearing Journal - 1 1/2" Seal | Yes | 37" | 94" | 6.75" | 12" |
| 2500 Lb. | BT - 1 1/16" Bearing Journal - 1 1/2" Seal | Yes | 40" | 94" | 6.75" | 12" |
| 2700 Lb. | BT - 1 1/16" Bearing Journal - 1 1/2" Seal | Yes | 40" | 94" | 6.75" | 12" |

HUB FACE: The distance from one hub face to the other. Hub face is also known as the mounting surface.

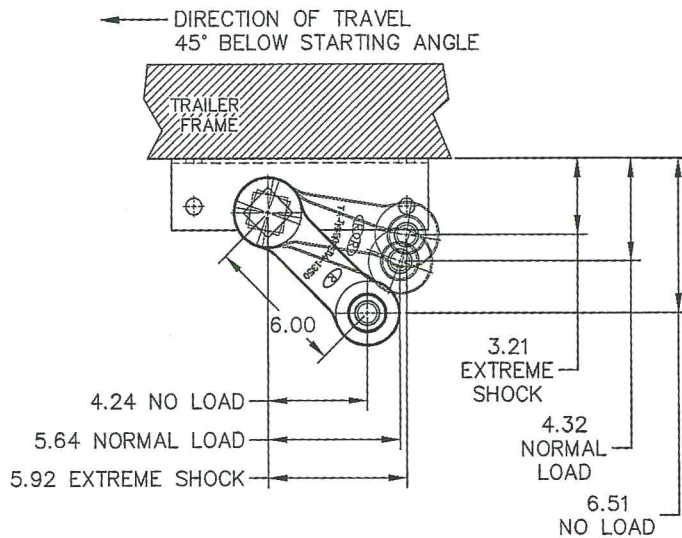
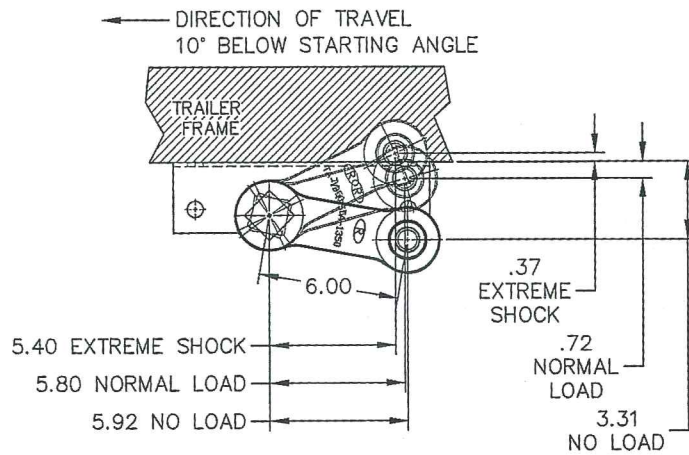
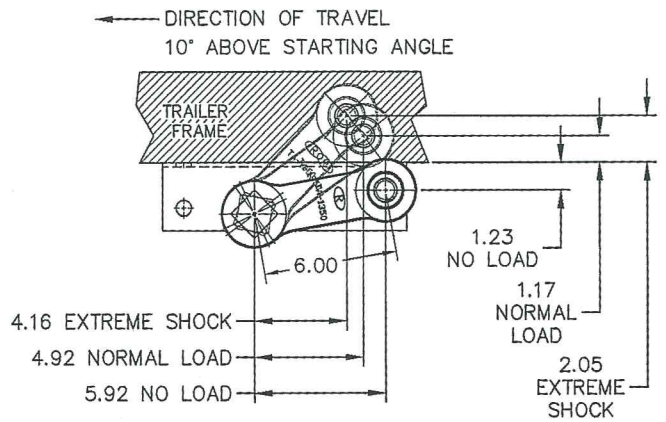
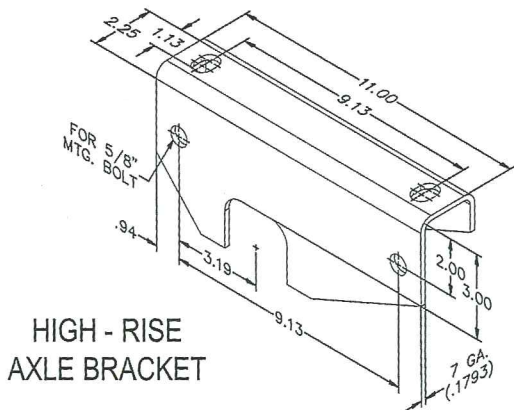
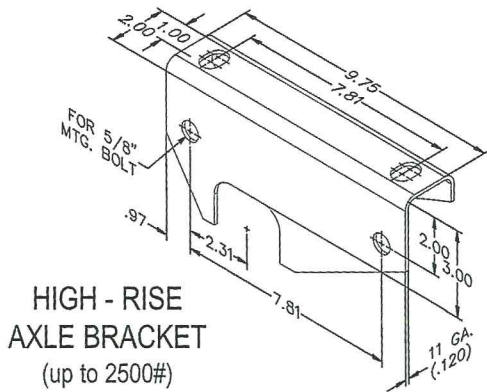
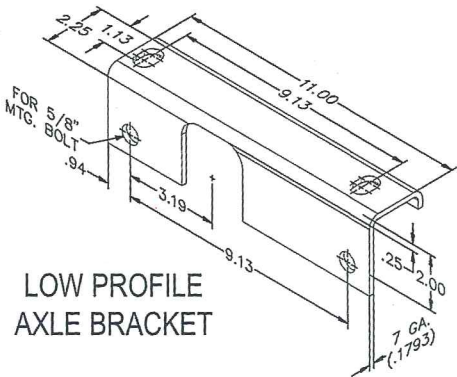
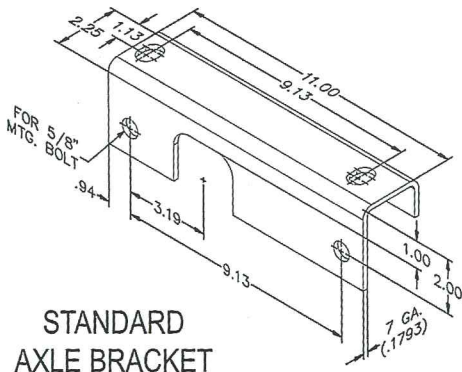
OUTSIDE OF BRACKET: Outside of trailer frame to outside of frame.

RELIABLE HINTS: If tip of spindle to tip of spindle is known, subtract 4.59 to get hub face.
 If brake flange face to brake flange face is known, add 6.93 to get hub face.



AXLE BRACKETS - STARTING ANGLES

2100-2700 lb. Series #10 - BT



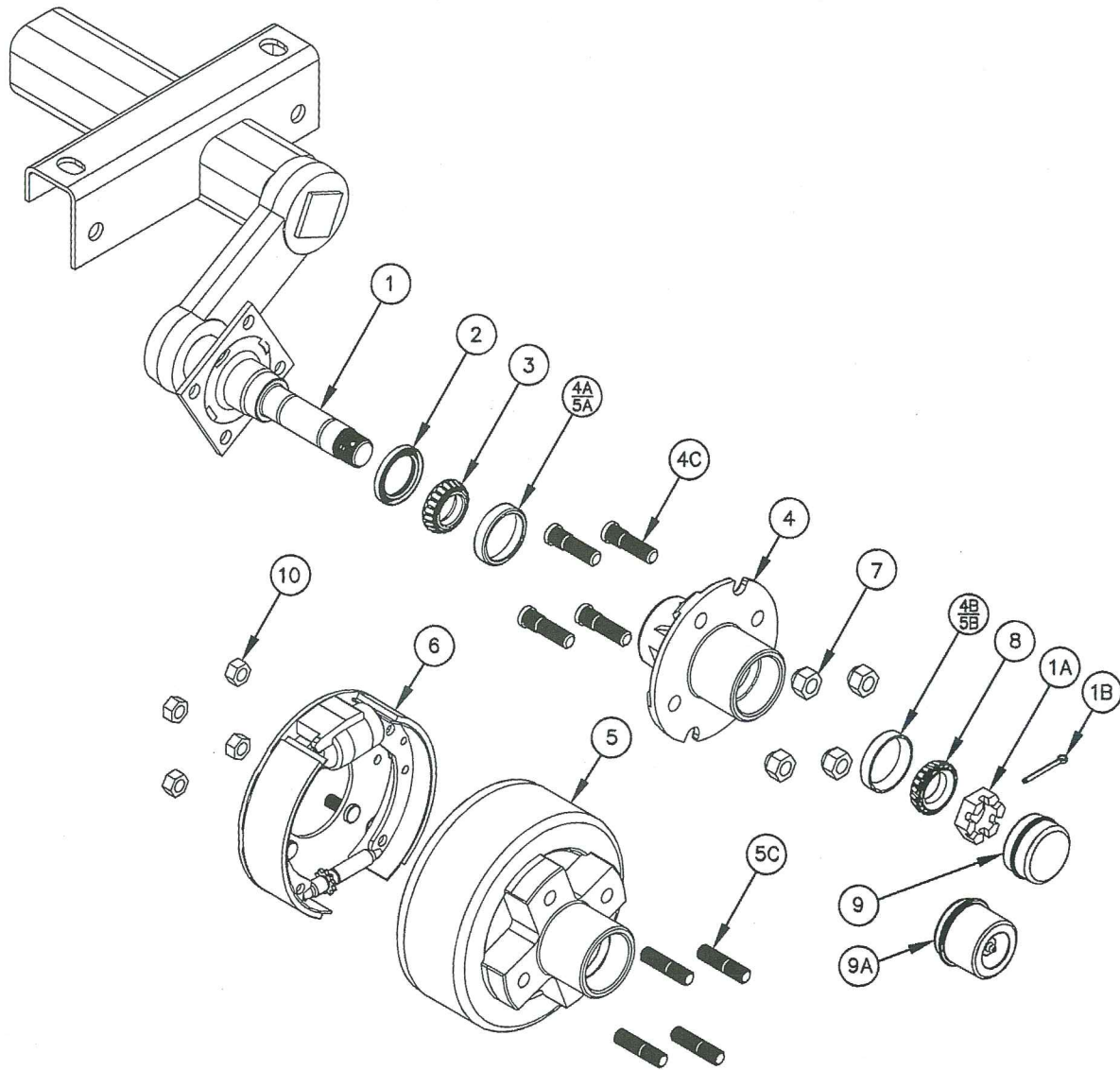
Standard starting angles are shown.
Special angles may be available upon request.

4 1/2" of clearance in unloaded position is recommended above tire to avoid interference.

Standard axle brackets were used for determining heights.
Low profile and high-rise brackets are available upon request.

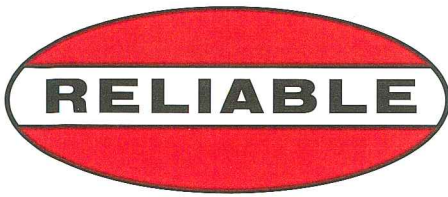
2100-2700 lb. Rubber Torsion Hub and Drum Options

Axles are available in beam only and with hubs or drums assembled and greased.



| Detail | Part Number | Description |
|--------|----------------|---|
| 1 | To Be Assigned | Rubber Torsion Axle - 2100-2700 lbs. |
| 1A | SN-1000 | Spindle Nut - 1"-14 |
| 1B | SCP-103 | Cotter Pin - 5/32" x 1 1/2" |
| 2 | SL-150-1 | Grease Seal - 1 1/2" I.D. |
| 3 | L44649 | Inner Bearing Cone - 1 1/16" I.D. |
| 4 | 1-100-04-00 | Idler Hub - 4 on 4" |
| | 1-150-04-00 | Idler Hub - 5 on 4 1/2" (5 9/16" Dia. Flange) |
| | 1-151-04-00 | Idler Hub - 5 on 4 1/2" (6 1/2" Dia. Flange) |
| 4A | L44610 | Inner Bearing Cup |
| 4B | L44610 | Outer Bearing Cup |
| 4C | ST-502-04 | Pressed-in Stud - 1/2"-20 |
| 5 | 5-700A-04-00 | Brake Drum - 4 on 4" |
| | 5-700C-04-00 | Brake Drum - 5 on 4 1/2" |

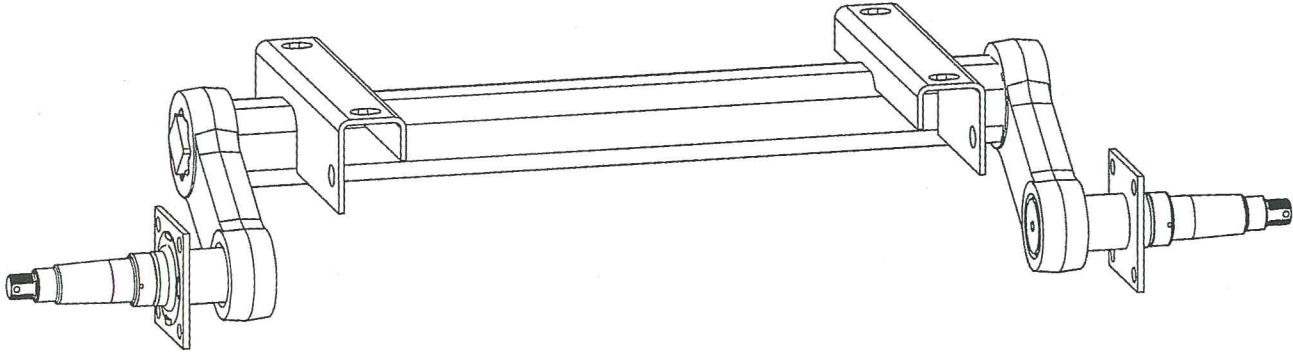
| Detail | Part Number | Description |
|--------|------------------------|-----------------------------------|
| 5A | L44610 | Inner Bearing Cup |
| 5B | L44610 | Outer Bearing Cup |
| 5C | ST-500 | Screwed-in Stud - 1/2"-20 |
| 6 | EBLH-0700 EBRH-0700 | Electric Brake - 7" x 1 1/4" |
| | HBLH-0700 HBRH-0700 | Hydraulic Brake - 7" x 1 3/4" |
| 7 | STN-506 | Stud Nut - 1/2"-20 x 60° |
| 8 | L44649 | Outer Bearing Cone - 1 1/16" I.D. |
| 9 | 1505 | Dust Cap |
| 9A | GC-1980-01 | Sure Lube Grease Cap |
| 10 | FLN-437 | Flange Lock Nut - 7/16"-20 |



RUBBER TORSION AXLE ASSEMBLIES

2500-3700 lb. Series #10 - UHI

Applications: Boat Trailers Horse Trailers
 Travel Trailers Utility Trailers



AXLE: Series 10 rubber torsion.

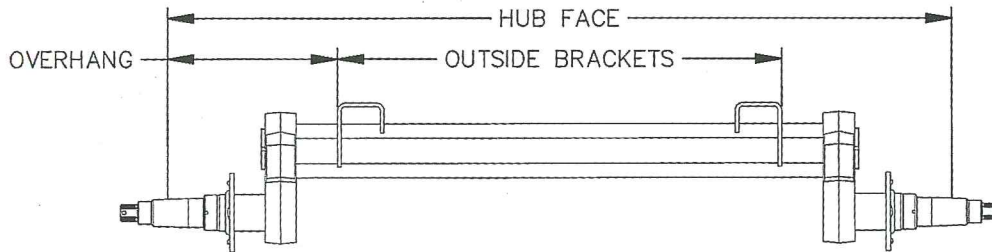
SPINDLE: Type UHI spindle with inner journal dimension of 1.378" and outer journal dimension of 1 1/16".

BRAKES: 10" x 2 1/4" electric brakes, 10" x 2 1/4" hydraulic brakes, or hydraulic disc brakes.

BRACKETS: Standard, low profile, and high rise. Adapting plate kits (for bolt-on) are available upon request.

HUB / DRUM: Idlers and Brake Drums available in different bolt circles. Studded with stud nuts or drilled and tapped with lug bolts.

LUBRICATION: Lithium base grease. The Sure Lube spindle is standard.

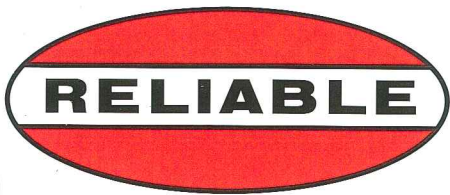


| Style | Spindle Type | Flange Available | Hub Face | | Overhang | |
|----------|---|------------------|----------|---------|----------|---------|
| | | | Minimum | Maximum | Minimum | Maximum |
| 2500 Lb. | UHI - 1.378" Inner and 1 1/16" Outer Bearing Journal - 1.688" Seal with SSR | Yes | 40" | 94" | 6.875" | 12" |
| | UHI - 1.378" Inner and 1 1/16" Outer Bearing Journal - 1.719" Seal | Yes | 40" | 94" | 6.875" | 12" |
| 3000 Lb. | UHI - 1.378" Inner and 1 1/16" Outer Bearing Journal - 1.688" Seal with SSR | Yes | 42" | 94" | 6.875" | 12" |
| | UHI - 1.378" Inner and 1 1/16" Outer Bearing Journal - 1.719" Seal | Yes | 42" | 94" | 6.875" | 12" |
| 3500 Lb. | UHI - 1.378" Inner and 1 1/16" Outer Bearing Journal - 1.688" Seal with SSR | Yes | 46" | 94" | 6.875" | 12" |
| | UHI - 1.378" Inner and 1 1/16" Outer Bearing Journal - 1.719" Seal | Yes | 46" | 94" | 6.875" | 12" |
| 3700 Lb. | UHI - 1.378" Inner and 1 1/16" Outer Bearing Journal - 1.688" Seal with SSR | Yes | 46" | 94" | 6.875" | 12" |
| | UHI - 1.378" Inner and 1 1/16" Outer Bearing Journal - 1.719" Seal | Yes | 46" | 94" | 6.875" | 12" |

HUB FACE: The distance from one hub face to the other. Hub face is also known as the mounting surface.

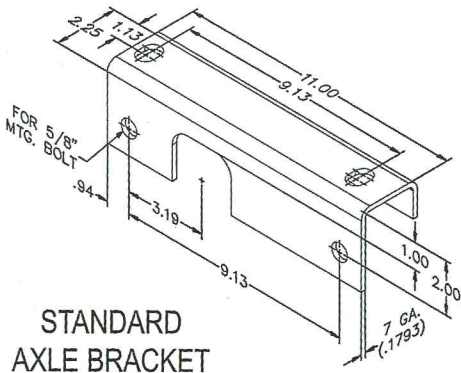
OUTSIDE OF BRACKET: Outside of trailer frame to outside of frame.

RELIABLE HINTS: If tip of spindle to tip of spindle is known, subtract 4.71 to get hub face.
 If brake flange face to brake flange face is known, add 6.09 to get hub face.

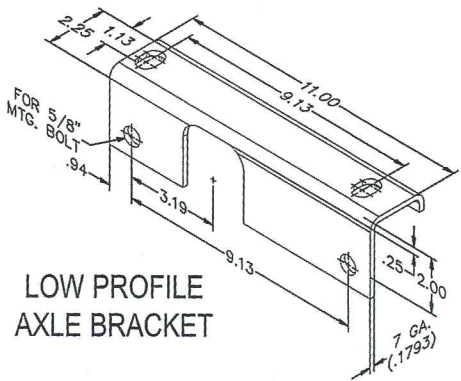


AXLE BRACKETS - STARTING ANGLES

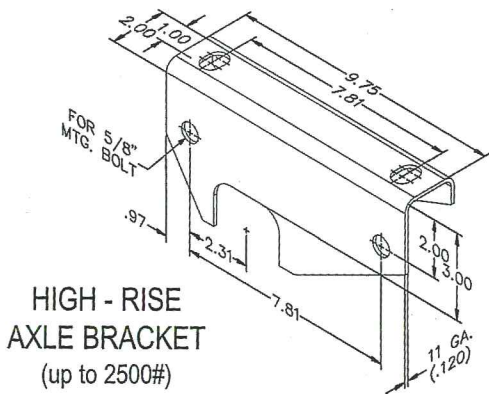
2500-3700 lb. Series #10 - UHI



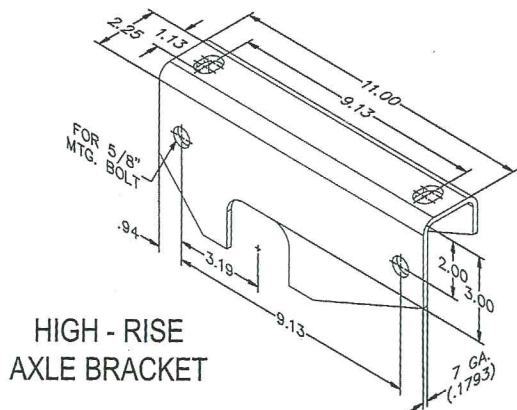
**STANDARD
AXLE BRACKET**



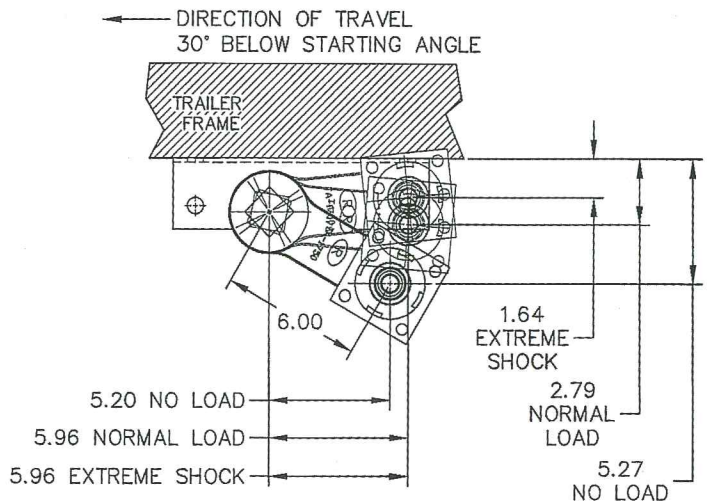
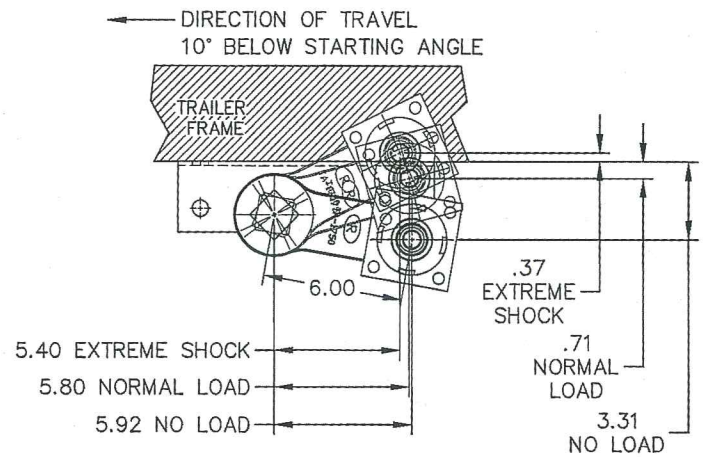
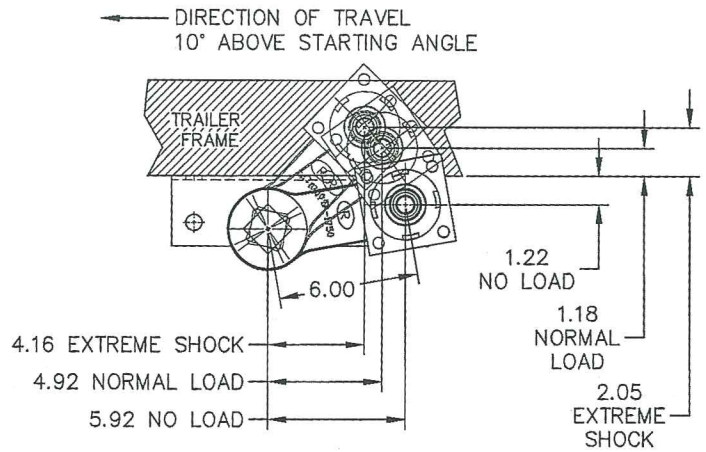
**LOW PROFILE
AXLE BRACKET**



**HIGH - RISE
AXLE BRACKET
(up to 2500#)**



**HIGH - RISE
AXLE BRACKET**



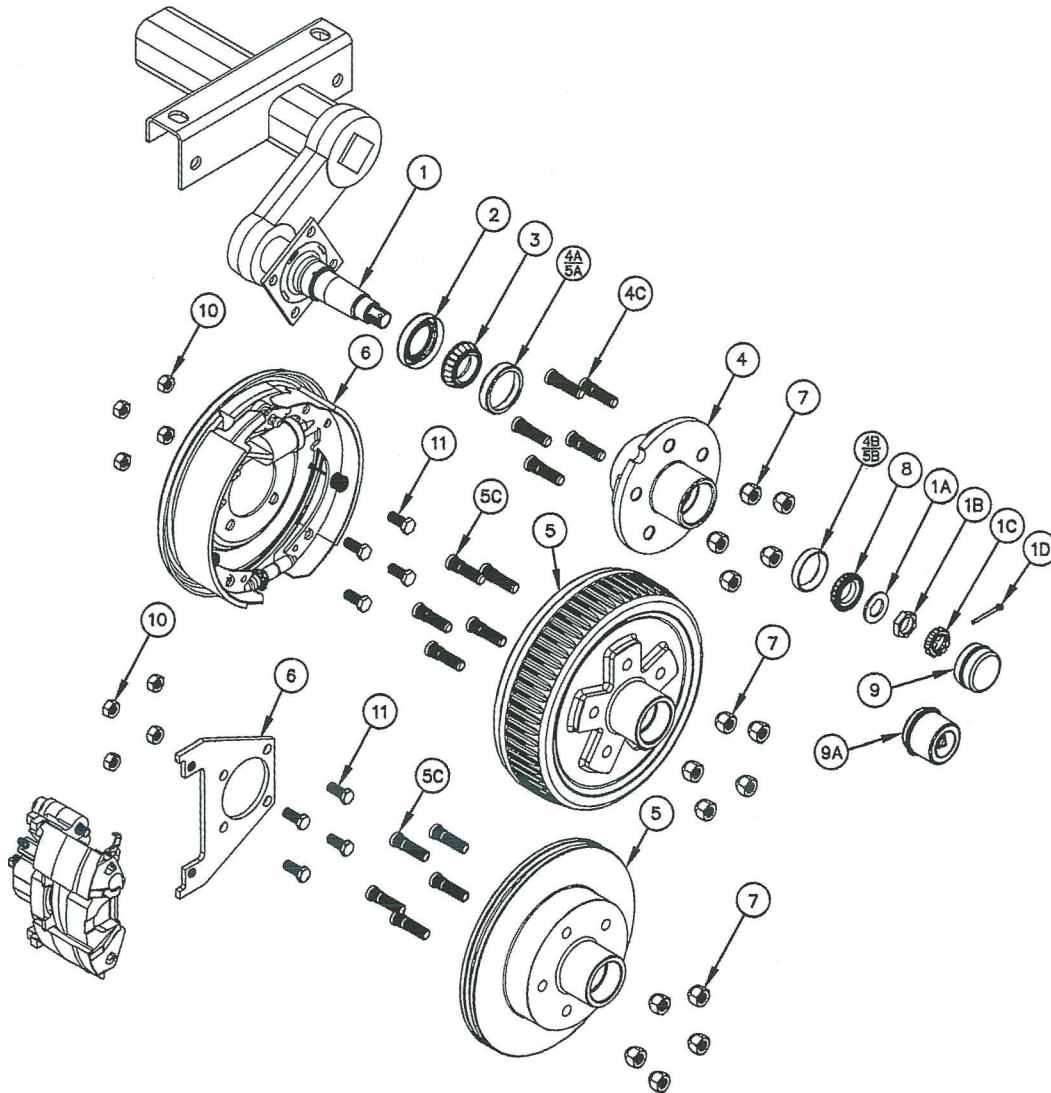
Standard starting angles are shown.
Special angles may be available upon request.

4 1/2" of clearance in unloaded position is recommended above tire to avoid interference.

Standard axle brackets were used for determining heights.
Low profile and high-rise brackets are available upon request.

2500-3700 lb. Rubber Torsion Hub and Drum Options

Axles are available in beam only and with hubs, drums, or rotors assembled and greased.



| Detail | Part Number | Description |
|--------|----------------|---|
| 1 | To Be Assigned | Rubber Torsion Axle - 2500-3700 lbs. |
| 1A | DW-813 | Spindle Washer - 13/16" - 'D' Flat |
| 1B | SN-813 | Spindle Nut - 13/16"-20 |
| 1C | LS-813 | Spindle Nut Lock Shield |
| 1D | SCP-103 | Cotter Pin - 5/32" x 1 1/2" |
| 2 | SL-168 | Grease Seal - 1.688" I.D. |
| | SL-173 | Grease Seal - 1.719" I.D. |
| 3 | L68149 | Inner Bearing Cone - 1.378" I.D. |
| 4 | 1-1000-04-00 | Idler Hub - 5 on 4 1/2" (6 1/2" Dia. Flange) |
| | 1-1050-04-00 | Idler Hub - 5 on 4 1/2" (5 9/16" Dia. Flange) |
| | 1-1000-14-00 | Idler Hub - 5 on 5" (6 1/2" Dia. Flange) |
| 4A | L68111 | Inner Bearing Cup |
| 4B | L44610 | Outer Bearing Cup |
| 4C | ST-504 | Pressed-in Stud - 1/2"-20 (1000 Series) |
| | ST-502-04 | Pressed-in Stud - 1/2"-20 (1050 Series) |

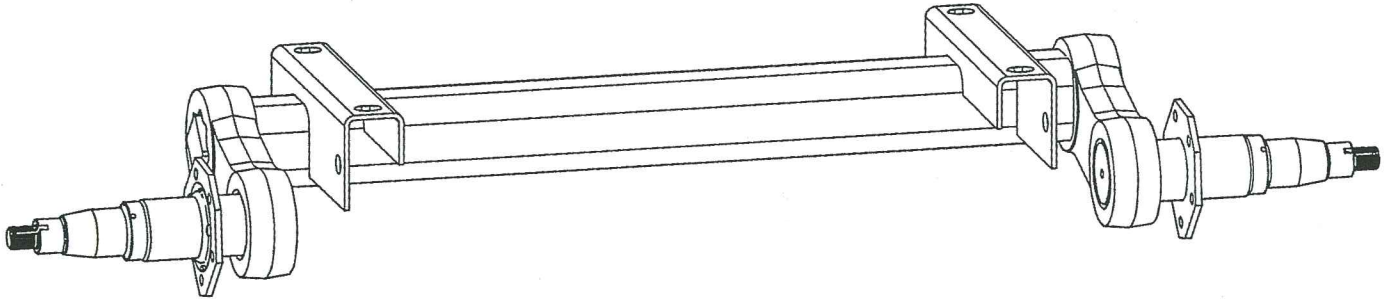
| Detail | Part Number | Description |
|--------|------------------------|---|
| 5 | 5-1000-04-00 | Brake Drum - 5 on 4 1/2" |
| | 5-1000-14-00 | Brake Drum - 5 on 5" |
| | 9-1001-04-00 | Disc Brake Rotor - 5 on 4 1/2" |
| 5A | L68111 | Inner Bearing Cup |
| 5B | L44610 | Outer Bearing Cup |
| 5C | ST-502-04 | Pressed-in Stud - 1/2"-20 |
| 6 | EBLH-1000 EBRH-1000 | Electric Brake - 10" x 2 1/4" |
| | HBLH-1000 HBRH-1000 | Hydraulic Brake - 10" x 2 1/4" |
| | HBLH-1001 HBRH-1001 | Free Backing Hydraulic Brake - 10" x 2 1/4" |
| | DBCL-1001 DBCR-1001 | Disc Brake Caliper Assembly |
| | 7 | STN-506 |
| 8 | L44649 | Outer Bearing Cone - 1 1/16" I.D. |
| 9 | 1505 | Dust Cap |
| 9A | GC-1980-01 | Sure Lube Grease Cap |
| 10 | FLN-437 | Flange Lock Nut - 7/16"-20 |
| 11 | FB-437 | Flange Bolt - 7/16"-20 x 1" Hex (hydraulic brakes only) |



RUBBER TORSION AXLE ASSEMBLIES

4000-5500 lb. Series #11 - HRM

Applications: Agricultural Trailers Boat Trailers General Purpose Trailers
 Industrial Trailers Stock Trailers



AXLE: Series 11 rubber torsion.

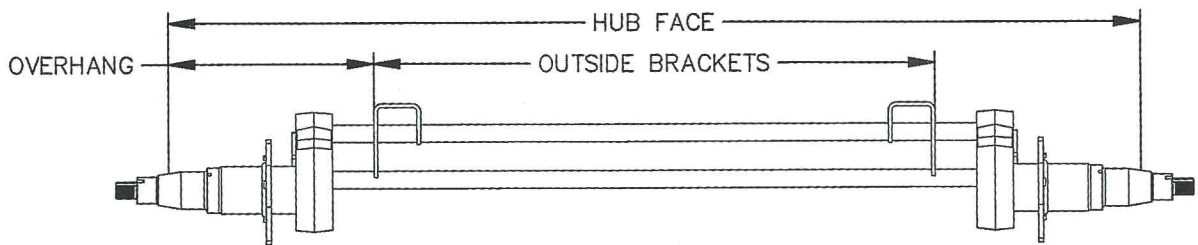
SPINDLE: Type HRM spindle with inner journal dimension of 1 3/4" and outer journal dimension of 1 1/4".

BRAKES: 12" x 2" electric brakes, 12" x 2" hydraulic brakes, or hydraulic disc brakes.

BRACKETS: Standard and low profile. Adapting plate kits (for bolt-on) are available upon request.

HUB / DRUM: Idlers and Brake Drums available in different bolt circles. Studded with stud nuts or drilled and tapped with lug bolts.

LUBRICATION: Lithium base grease. The Sure Lube spindle is standard.



| Style | Spindle Type | Flange Available | Hub Face | | Overhang | |
|----------|---|------------------|----------|---------|----------|---------|
| | | | Minimum | Maximum | Minimum | Maximum |
| 4000 Lb. | 1 3/4" Inner and 1 1/4" Outer Bearing Journal - 2 1/8" Seal | Yes | 47" | 92" | 8.13" | 12" |
| 4500 Lb. | 1 3/4" Inner and 1 1/4" Outer Bearing Journal - 2 1/8" Seal | Yes | 49" | 92" | 8.13" | 12" |
| 5000 Lb. | 1 3/4" Inner and 1 1/4" Outer Bearing Journal - 2 1/8" Seal | Yes | 51" | 92" | 8.13" | 12" |
| 5500 Lb. | 1 3/4" Inner and 1 1/4" Outer Bearing Journal - 2 1/8" Seal | Yes | 53" | 92" | 8.13" | 12" |

HUB FACE: The distance from one hub face to the other. Hub face is also known as the mounting surface.

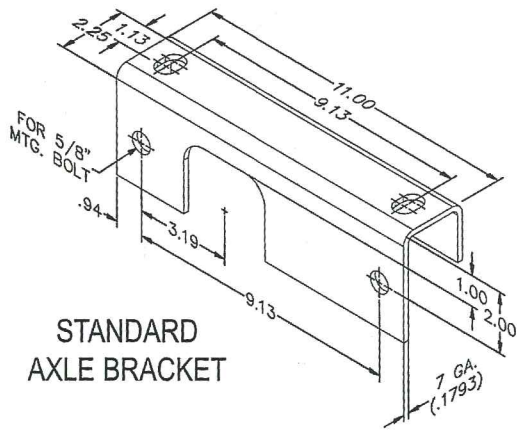
OUTSIDE OF BRACKET: Outside of trailer frame to outside of frame.

RELIABLE HINTS: If tip of spindle to tip of spindle is known, subtract 5.82 to get hub face.
 If brake flange face to brake flange face is known, add 8.75 to get hub face.

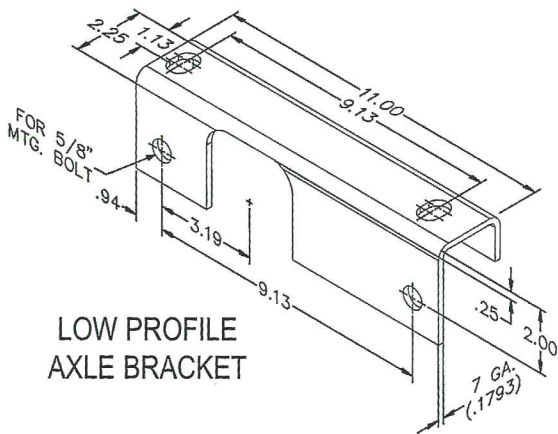


AXLE BRACKETS - STARTING ANGLES

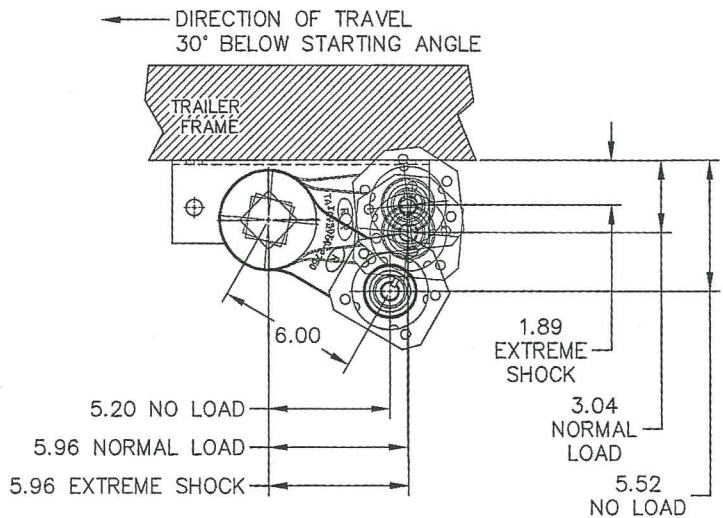
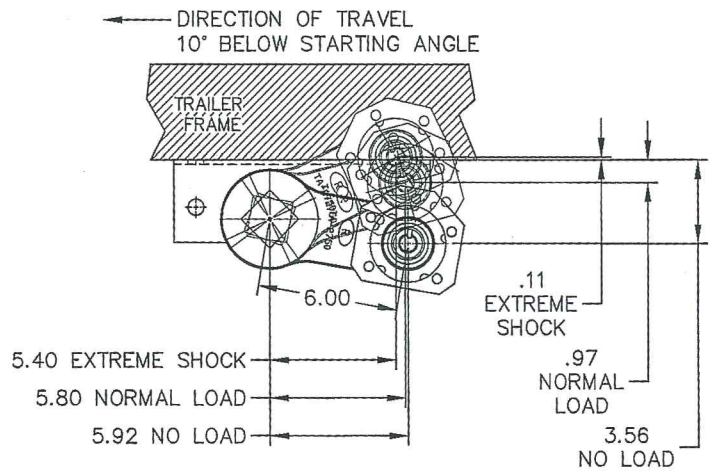
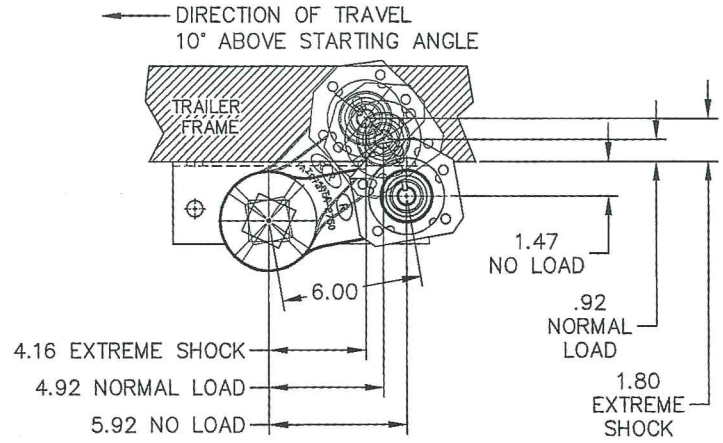
4000-5500 lb. Series #11 - HRM



STANDARD AXLE BRACKET



LOW PROFILE AXLE BRACKET



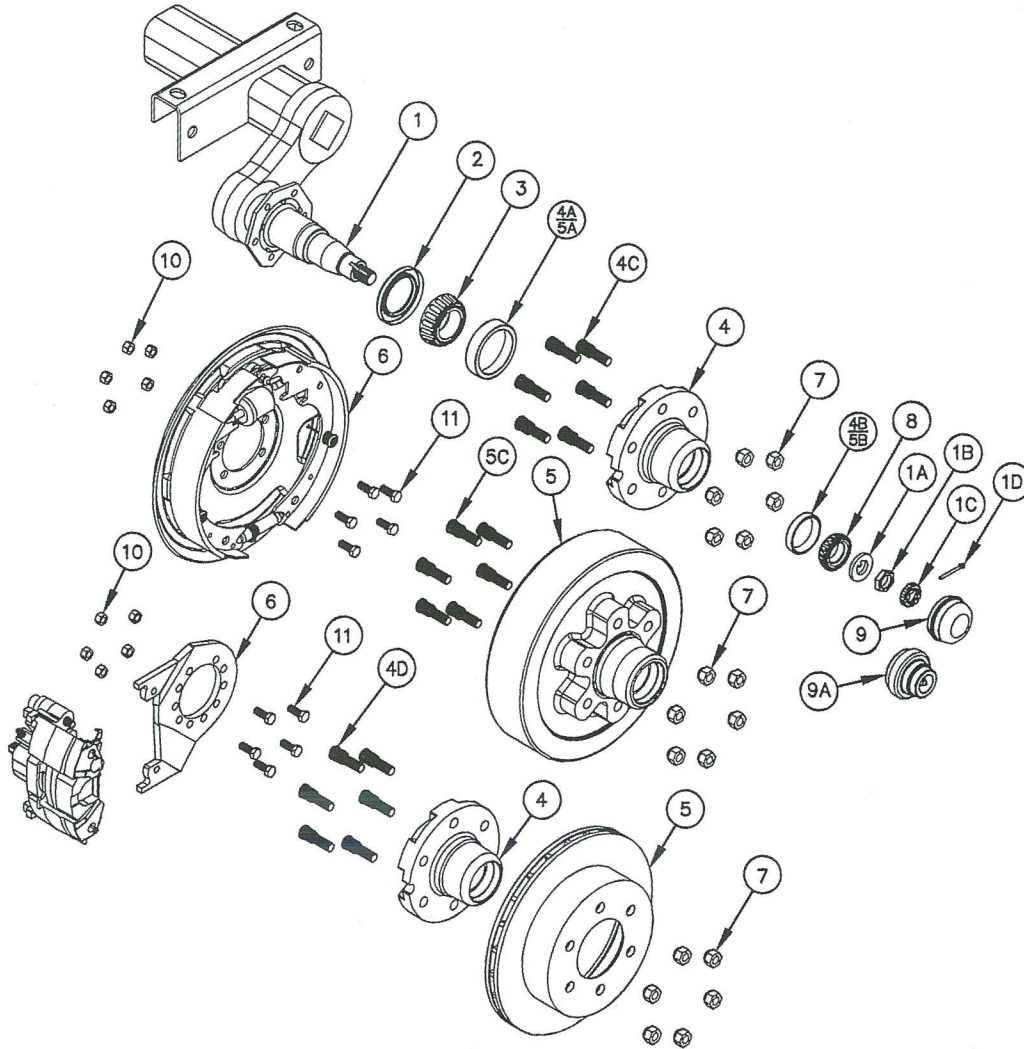
Standard starting angles are shown.
Special angles may be available upon request.

4 1/2" of clearance in unloaded position is recommended above tire to avoid interference.

Standard axle brackets were used for determining heights.
Low profile and high-rise brackets are available upon request.

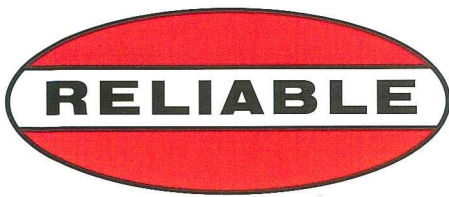
4000-5500 lb. Rubber Torsion Hub and Drum Options

Axles are available in beam only and with hubs, drums, or rotors assembled and greased.



| Detail | Part Number | Description |
|--------|----------------|---|
| 1 | To Be Assigned | Rubber Torsion Axle - 4000-5500 lbs. |
| 1A | TW-814 | Spindle Washer - 13/16" - "T" Flat |
| 1B | SN-813 | Spindle Nut - 13/16"-20 |
| 1C | LS-813 | Spindle Nut Lock Shield |
| 1D | SCP-103 | Cotter Pin - 5/32" x 1 1/2" |
| 2 | SL-213-1 | Grease Seal - 2.125" I.D. |
| 3 | 25580 | Inner Bearing Cone - 1 3/4" I.D. |
| 4 | 1-1206-04-00 | Idler Hub - 6 on 5 1/2" (up to 5500 lbs. axle cap.) |
| | 1-1206-04-02 | Idler Hub - 6 on 5 1/2" (up to 6000 lbs. axle cap.) |
| | 1-1206-04-04 | Idler Hub - 6 on 5 1/2" (up to 5500 lbs. axle cap.) - Disc Brakes |
| | 1-1206-04-05 | Idler Hub - 6 on 5 1/2" (up to 6000 lbs. axle cap.) - Disc Brakes |
| | 1-1208-04-01 | Idler Hub - 8 on 6 1/2" - Sure Lube Not Available |
| 4A | 25520 | Inner Bearing Cup |
| 4B | LM67010 | Outer Bearing Cup (for 6 on 5 1/2" up to 5500 lbs. axle cap.) |
| | 15245 | Outer Bearing Cup (for 6 on 5 1/2" up to 6000 lbs. axle cap.) |
| | 14276 | Outer Bearing Cup (for 8 on 6 1/2") |
| 4C | ST-504 | Pressed-in Stud - 1/2"-20 (for 6 on 5 1/2" only) |
| 5 | 5-1206-04-00 | Brake Drum - 6 on 5 1/2" (up to 5500 lbs. axle cap.) |
| | 5-1206-04-01 | Brake Drum - 6 on 5 1/2" (up to 6000 lbs. axle cap.) |
| | 5-1208-04-00 | Brake Drum - 8 on 6 1/2" |
| | 9-1206V-04-00 | Rotor - 6 on 5 1/2" - Vented |
| 5A | 25520 | Inner Bearing Cup |

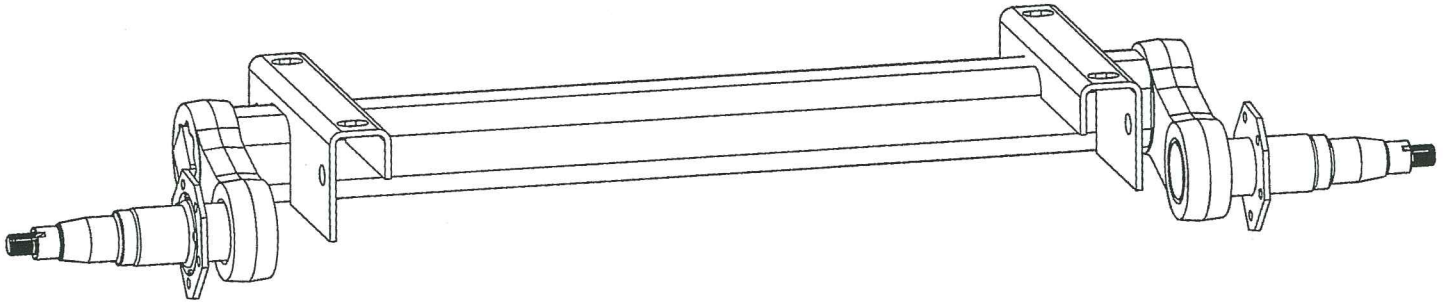
| Detail | Part Number | Description |
|--------|------------------------|---|
| 5B | LM67010 | Outer Bearing Cup (for 6 on 5 1/2" up to 5500 lbs. axle cap.) |
| | 15245 | Outer Bearing Cup (for 6 on 5 1/2" up to 6000 lbs. axle cap.) |
| | 14276 | Outer Bearing Cup (for 8 on 6 1/2") |
| 5C | ST-504 | Pressed-in Stud - 1/2"-20 |
| 6 | EBLH-1200 EBRH-1200 | Electric Brake - 12" x 2" |
| | HBLH-1200 HBRH-1200 | Hydraulic Brake - 12" x 2" (5200 lbs. maximum braking cap.) |
| | HBLH-1202 HBRH-1202 | Free Backing Hydraulic Brake - 12" x 2" (5200 lbs. maximum braking cap.) |
| | DBCL-1206 DBCR-1206 | Disc Brake Caliper Assembly |
| | 7 | STN-506 |
| 8 | LM67048 | Outer Bearing Cone - 1 1/4" I.D. (for 6 on 5 1/2" up to 5500 lbs. axle cap.) |
| | 15123 | Outer Bearing Cone - 1 1/4" I.D. (for 6 on 5 1/2" up to 6000 lbs. axle cap.) |
| | 14125A | Outer Bearing Cone - 1 1/4" I.D. (for 8 on 6 1/2") |
| 9 | 1520 | Dust Cap (for 6 on 5 1/2") |
| | 1605 | Dust Cap (for 8 on 6 1/2") |
| 9A | GC-2441 | Sure Lube Grease Cap (for 6 on 5 1/2") |
| | GC-2716 | Sure Lube Grease Cap (for 8 on 6 1/2") |
| 10 | FB-375 | Flange Bolt - 3/8"-16 x 1" Hex |
| 11 | FLN-375 | Flange Lock Nut - 3/8"-16 |



RUBBER TORSION AXLE ASSEMBLIES

6000-7000 lb. Series #12 - HRM

Applications: Agricultural Trailers Horse Trailers
 Stock Trailers



AXLE: Series 12 rubber torsion.

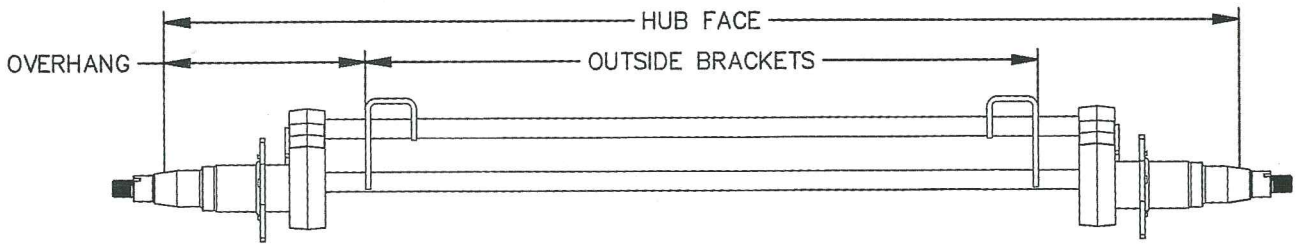
SPINDLE: Type HRM spindle with inner journal dimension of 1 3/4" and outer journal dimension of 1 1/4".

BRAKES: 12" x 2" electric brakes or 12" x 2" hydraulic brakes.

BRACKETS: Standard and low profile. Adapting plate kits (for bolt-on) are available upon request.

HUB / DRUM: Idlers and Brake Drums available in different bolt circles. Studded with stud nuts or drilled and tapped with lug bolts.

LUBRICATION: Lithium base grease. The Sure Lube spindle is standard.



| Style | Spindle Type | Flange Available | Hub Face | | Overhang | |
|----------|---|------------------|----------|---------|----------|---------|
| | | | Minimum | Maximum | Minimum | Maximum |
| 6000 Lb. | 1 3/4" Inner and 1 1/4" Outer Bearing Journal - 2 1/8" Seal | Yes | 53" | 92" | 8.13" | 12" |
| 6500 Lb. | 1 3/4" Inner and 1 1/4" Outer Bearing Journal - 2 1/8" Seal | Yes | 57" | 92" | 8.13" | 12" |
| 7000 Lb. | 1 3/4" Inner and 1 1/4" Outer Bearing Journal - 2 1/8" Seal | Yes | 57" | 92" | 8.13" | 12" |

HUB FACE: The distance from one hub face to the other. Hub face is also known as the mounting surface.

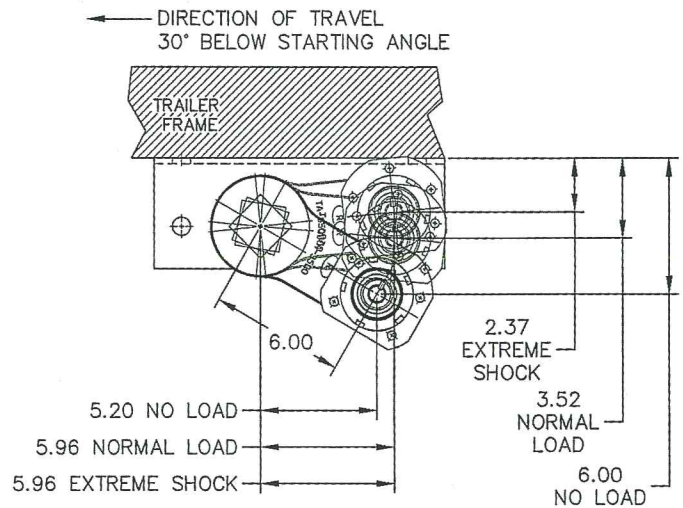
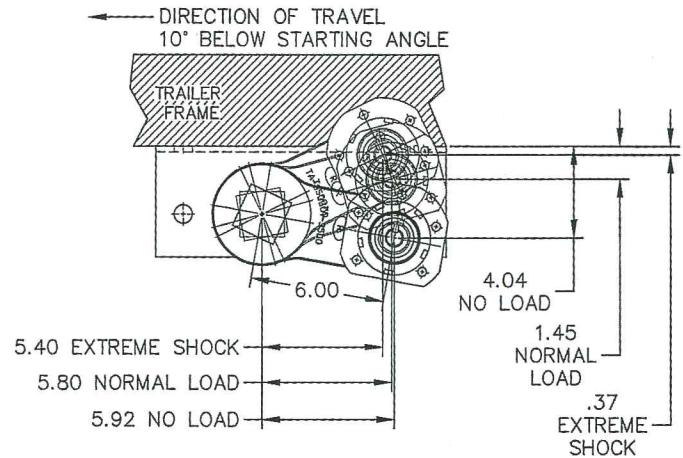
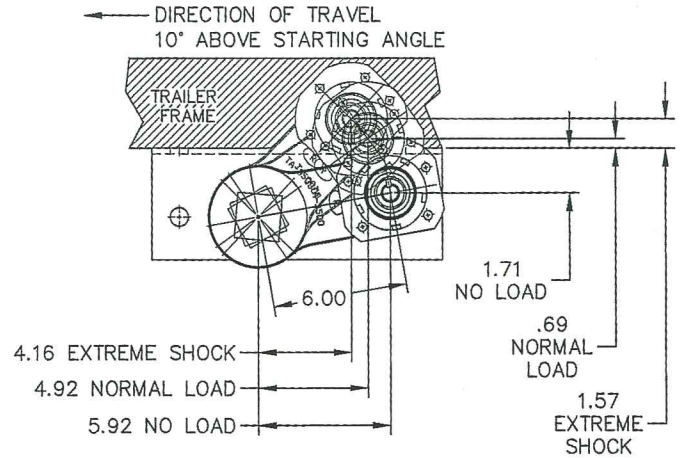
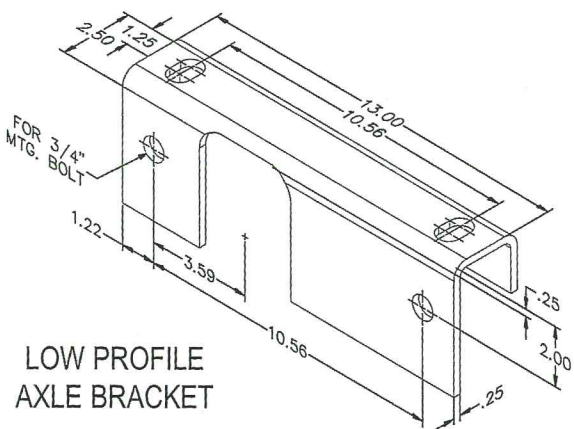
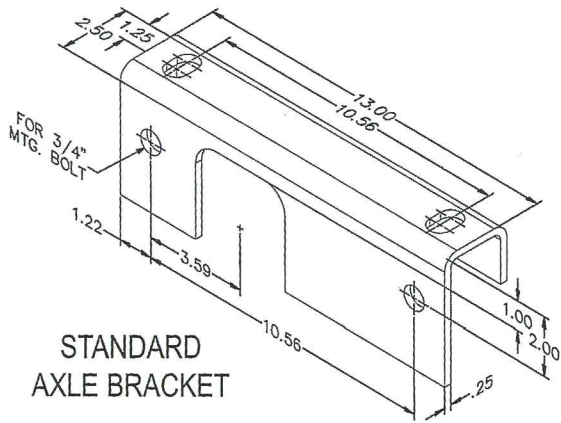
OUTSIDE OF BRACKET: Outside of trailer frame to outside of frame.

RELIABLE HINTS: If tip of spindle to tip of spindle is known, subtract 5.82 to get hub face.
 If brake flange face to brake flange face is known, add 8.75 to get hub face.



AXLE BRACKETS - STARTING ANGLES

6000-7000 lb. Series #12 - HRM



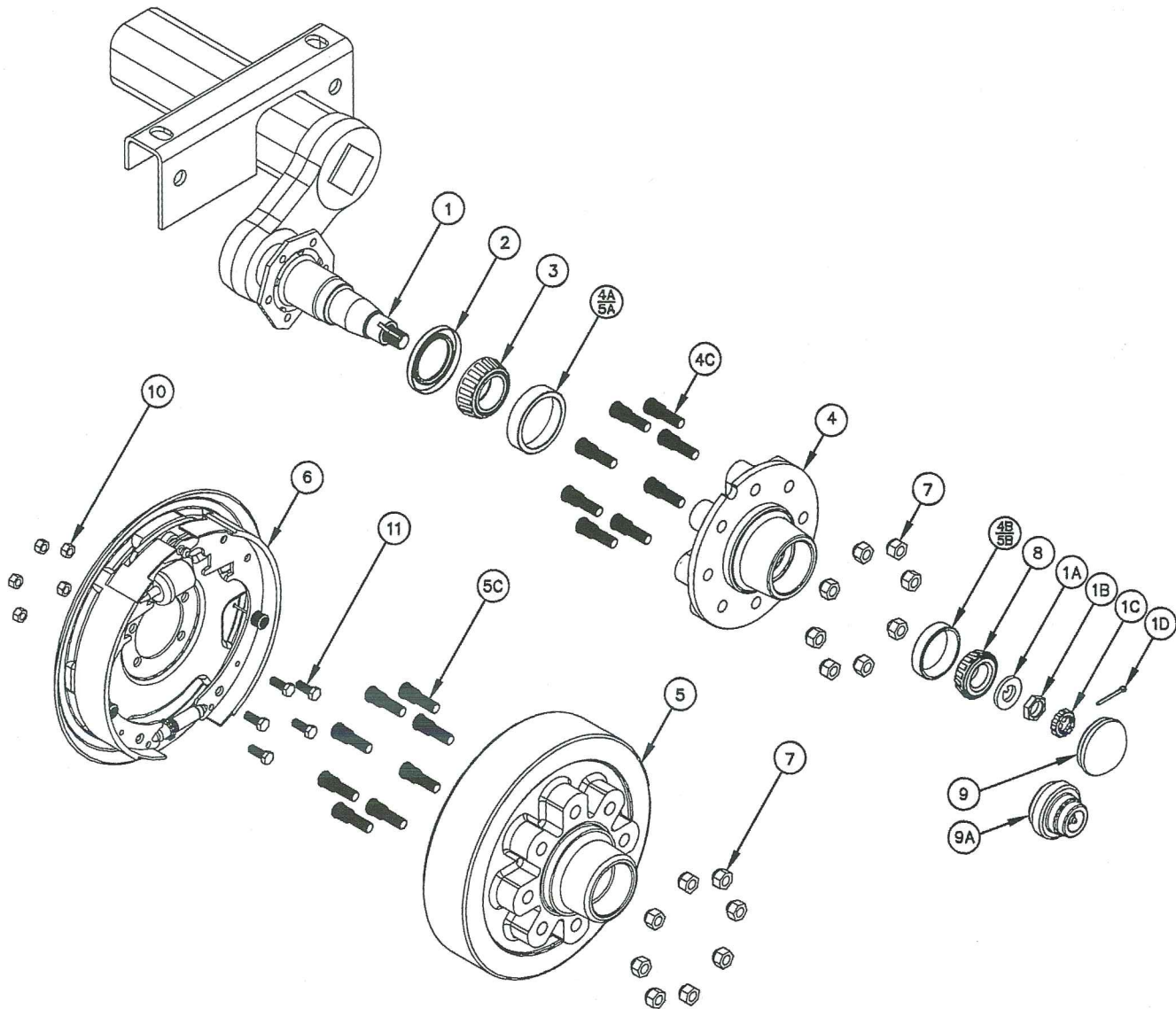
Standard starting angles are shown.
Special angles may be available upon request.

4 1/2" of clearance in unloaded position is recommended above tire to avoid interference.

Standard axle brackets were used for determining heights.
Low profile and high-rise brackets are available upon request.

6000-7000 lb. Rubber Torsion Hub and Drum Options

Axles are available in beam only and with hubs or drums assembled and greased.



| Detail | Part Number | Description |
|--------|----------------|---|
| 1 | To Be Assigned | Rubber Torsion Axle - 6000-7000 lbs. |
| 1A | TW-814 | Spindle Washer - 13/16" - 'T' Flat |
| 1B | SN-813 | Spindle Nut - 13/16"-20 |
| 1C | LS-813 | Spindle Nut Lock Shield |
| 1D | SCP-103 | Cotter Pin - 5/32" x 1 1/2" |
| 2 | SL-213-1 | Grease Seal - 2.125" I.D. |
| 3 | 25580 | Inner Bearing Cone - 1 3/4" I.D. |
| 4 | 1-1206-04-02 | Idler Hub - 6 on 5 1/2" (up to 6000 lbs. axle cap.) |
| 4 | 1-1208-04-01 | Idler Hub - 8 on 6 1/2" - Sure Lube Not Available |
| 4A | 25520 | Inner Bearing Cup |
| 4B | 15245 | Outer Bearing Cup (for 6 on 5 1/2" up to 6000 lbs. axle cap.) |
| 4B | 14276 | Outer Bearing Cup (for 8 on 6 1/2") |
| 4C | ST-504 | Pressed-in Stud - 1/2"-20 (for 6 on 5 1/2" only) |
| 5 | 5-1206-04-01 | Brake Drum - 6 on 5 1/2" (up to 6000 lbs. axle cap.) |
| 5 | 5-1208-04-00 | Brake Drum - 8 on 6 1/2" |
| 5A | 25520 | Inner Bearing Cup |
| 5B | 15245 | Outer Bearing Cup (for 6 on 5 1/2" up to 6000 lbs. axle cap.) |
| 5B | 14276 | Outer Bearing Cup (for 8 on 6 1/2") |

| Detail | Part Number | Description |
|--------|-------------|---|
| 5C | ST-504 | Pressed-in Stud - 1/2"-20 |
| 6 | EBLH-1200 | Electric Brake - 12" x 2" |
| | EBRH-1200 | |
| | HBLH-1200 | Hydraulic Brake - 12" x 2" (5200 lbs. maximum braking cap.) |
| | HBRH-1200 | |
| 7 | HBLH-1202 | Free Backing Hydraulic Brake - 12" x 2" (5200 lbs. maximum braking cap.) |
| | HBRH-1202 | |
| 7 | STN-506 | Stud Nut - 1/2"-20 x 60° |
| 8 | 15123 | Outer Bearing Cone - 1 1/4" I.D. (for 6 on 5 1/2" up to 6000 lbs. axle cap.) |
| | 14125A | |
| 9 | 1520 | Dust Cap (for 6 on 5 1/2") |
| | 1605 | |
| 9A | GC-2441 | Sure Lube Grease Cap (for 6 on 5 1/2") |
| | GC-2716 | |
| 10 | FB-375 | Flange Bolt - 3/8"-16 x 1" Hex |
| 11 | FLN-375 | Flange Lock Nut - 3/8"-16 |

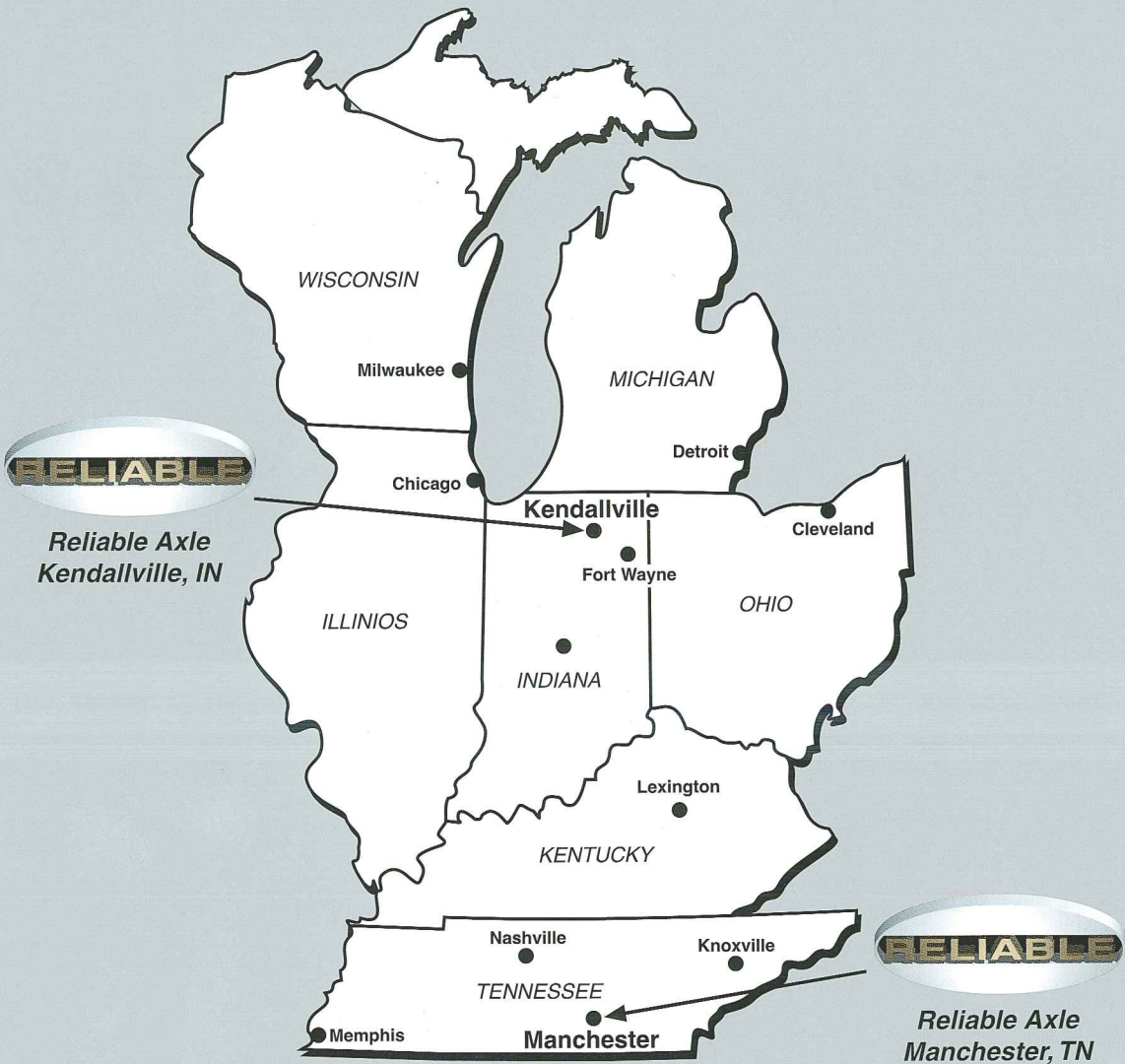
Reliable Tool & Machine Co., Inc., was founded by Harvie Charles in Kendallville, IN. in 1946. Reliable began with approximately 1,500 square feet of manufacturing area and two employees. Late



1999 saw the completion of our newest division, Reliable Axle - Manchester, which now gives the company four manufacturing facilities totaling 200,000 square feet with 150 employees. Reliable started as a job shop in the machining of gray iron castings for the automotive replacement parts business. The company now markets these items under their own private label along with a line of wheel hubs, brake drums and complete axle assemblies for agricultural, construction, industrial and recreational vehicle industries.

RELIABLE ALSO OFFERS THE FOLLOWING SERVICES:

- Production machining of cast iron & steel components.
- Production welding of steel fabricated components.
- Production machining & welding of specialized spindles, wheel hub, & brake drum components.
- Production welding and assembly of specialized axles.
- Provide specialty coatings for hubs, axles, and fabricated parts.
- Provide new ideas and ways of producing existing parts.



Reliable Tool & Machine Co., Inc.
P.O. Box 757 • Kendallville, Indiana 46755
(260) 347-4000 • Fax (260) 347-5552
<http://www.reliabletool.com>
email: sales@reliabletool.com