



# Bulkhead

## Standard

---

### Kit 23003573SK

#### Contents

<i>Introduction</i> .....	2
<i>Notes, Cautions, and Warnings</i> .....	3
<i>Recommended Tools</i> .....	4
<i>Kit Part List</i> .....	4
<i>Installation Instructions</i> .....	6
<i>B-Pillar Trim Removal</i> .....	6
<i>Bulkhead Installation</i> .....	8
<i>B-Pillar Trim Installation</i> .....	13
<i>Load Carrying Modification Label</i> .....	14
<i>Revision Control</i> .....	15
<i>Important Notices</i> .....	15

### Customer Service

**574-848-2073**

**Monday–Friday 8 a.m. to 5 p.m. Eastern Standard Time Zone**

**Email: [Parts@Utilimaster.com](mailto:Parts@Utilimaster.com)**

*NOTE: The information in this document is generic. Images and procedures may differ from those for vehicles you are servicing. Because Utilimaster manufactures customized vehicle solutions, this document cannot list and illustrate every possible option for every vehicle. The most common body options are described here. Use this information as a guideline.*

**Document Part Number: 03104592-N018EN**

**– Revision A –**

## Introduction

This document provides instructions for the installation of a bulkhead wall with a lockable sliding door into the RAM ProMaster™ cargo van. **This option is specifically used when the passenger's seat has been removed. The passenger's seat and seat belt restraint system may only be removed by an authorized Chrysler Group LLC technician in order to reprogram the airbag system.**

This manual contains drawings and photos to aid in servicing the vehicle. It may include maintenance information on some items installed but not manufactured by Utilimaster Corporation. Items such as drivetrain components and certain interior furnishings may be covered by separate manufacturer-supplied information. Information provided here is intended to assist Utilimaster customers and is in no way meant to replace or supersede instructions provided by other suppliers for their products.



*Bulkhead wall kit*

## Notes, Cautions, and Warnings

Reading through the procedures, you will see NOTES, CAUTIONS, and WARNINGS. Each is there for a specific purpose.

**NOTES** give additional information that will help you complete the procedure.

**CAUTIONS** warn against making an error that could damage the vehicle.

**WARNINGS** remind you to be careful when there is risk of personal injury.



***When you see this symbol, read this statement first! This alert highlights information that may reduce the risk of personal injury or vehicle damage.***

Below are some basic WARNINGS that you should heed when you work on the vehicle's body. They are not all-inclusive and common sense must be used when servicing vehicles.

- Always read and understand all instructions before starting.
- Always wear safety glasses and other appropriate protective equipment (gloves, steel-toed shoes, face shields, knee pads, hearing protection).
- Put the transmission in Park, and set the parking brake before working on the vehicle.
- Be sure that the ignition switch is Off unless otherwise required by the procedure.
- Keep your hair, clothing, and body away from all moving parts such as engine pulleys and power tools.
- Always remove rings, watches, hanging jewelry, and loose clothing before working in tight areas.
- Read and understand all warning labels.
- Always use proper ladders or scaffolding to perform required jobs.
- Always make sure tools are in proper working condition and have guards and safety devices in place.
- Use only the recommended tools for a specific job.
- If at any time you lack confidence in performing a specific repair procedure or in operating the tools safely to perform the repair, STOP! Call your local dealer or a Utilimaster representative.

## Recommended Tools



**WARNING:** Always wear safety glasses and other proper protective equipment (gloves, steel-toed shoes, face shields, knee pads, hearing protection) as appropriate to the process.

Below are some tools that you will need for this process. There may be other commonly used hand tools required but not specifically mentioned.

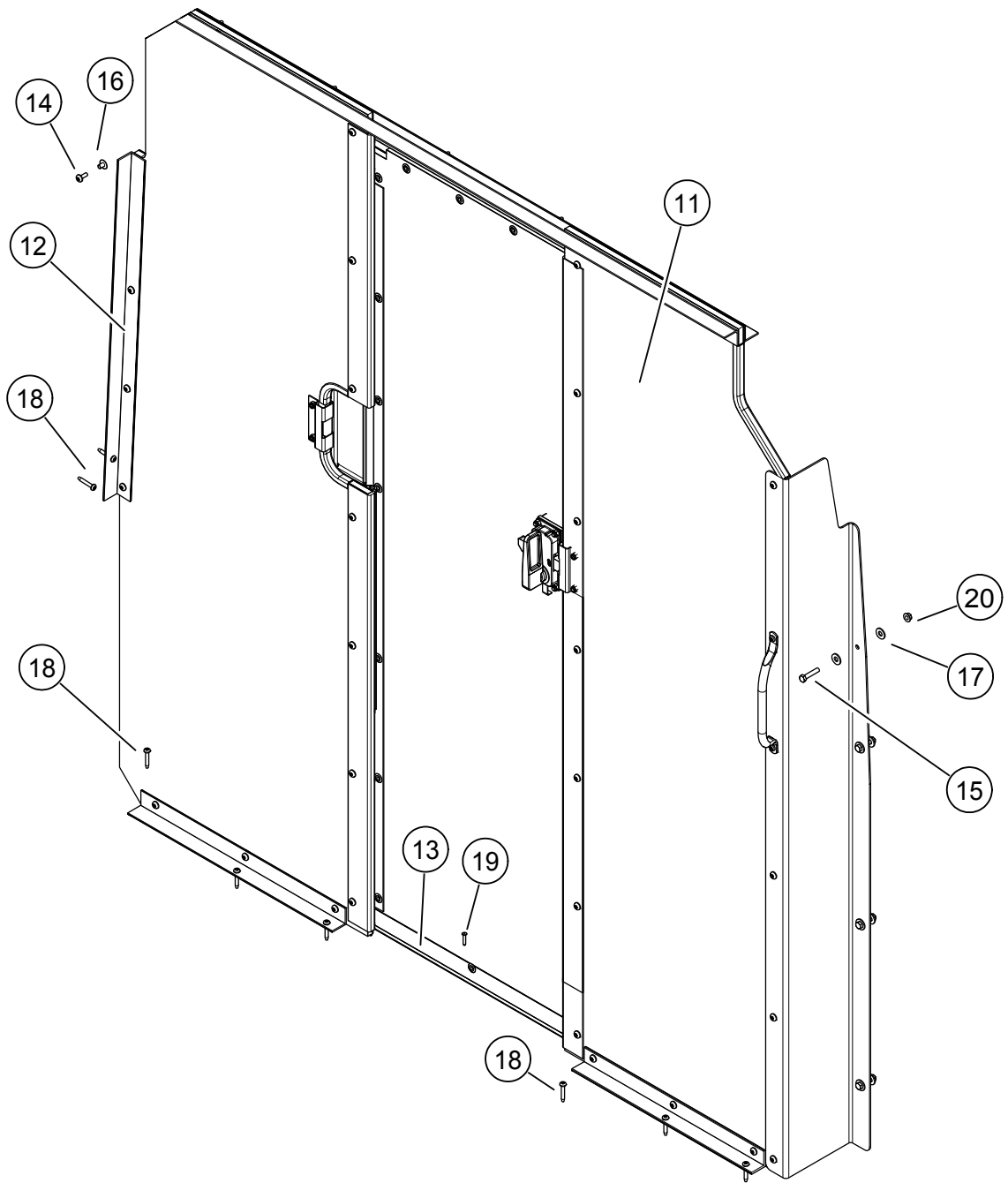
- Rubber mallet
- Small flat pry bar
- Torx bit set and driver
- Drill with a H-bit (or 1/4"), 3/8" and 5/16" bits with drill stop
- Standard and metric combination and ratchet wrench sets including swivel adapter and extensions
- Center punch
- Monobolter with 1/4" nose piece
- 20" Wood block
- Chalk line
- Reciprocating saw or band saw



*Big Daddy manual riveter  
(Available upon request)*

## Kit Part List

23003573SK		BLANDEX BULKHEAD STANDARD	
BOM ID	Part Number	Description	Qty
0	REFERENCE	23003573a BULKHEAD BLANDEX ASSY PRMSTR	
11	23003573	BULKHEAD BLANDEX ASSY PRMSTR	1
12	06002050-03200	ANGLE 32.00	1
13	06000270-04600	GUIDE 46.00	1
14	11001401	SCREW 1/4-20 x 11/16 PAN TORX	4
15	11004450	BOLT HEX 5/16-18 x 1-1/2 CAP ZGR5	4
16	11007502	NUT "T" 1/4-20 x 7/16	4
17	11008417	WASHER 5/16 FLAT	8
18	11300120	SCREW 1/4-20 x 1-1/2M TORX PN	9
19	11400177	RIVET POP AL.94 (.626-75)	10
20	11600238	NUT FLG 5/16-18 PTLK GR8 ZN WAX	4
NS_1	03104592-N018EN	BULKHEAD INSTALL INSTRUCTIONS	1



*Overview of bulkhead*

## Installation Instructions



**WARNING:** The passenger's seat and seat belt restraint system may only be removed by an authorized Chrysler Group LLC technician in order to reprogram the airbag system.

1. Read and understand all instructions before starting work.
2. Validate the packing slip with the list of parts in the instructions.

*NOTE: Keep all fasteners for reinstallation unless noted otherwise.*

### B-Pillar Trim Removal

3. Remove the passenger's side seat belt.
4. Remove (5) fasteners from RH lower B-pillar trim and set aside.
5. Remove RH upper trim panel screw cover and screw, and lower screw (behind lower B-pillar cover). Remove upper B-pillar trim and set aside.



*Lower B-pillar trim fasteners*

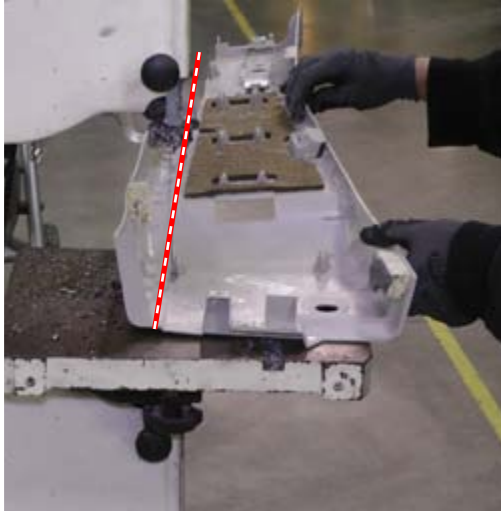


*Upper panel screw behind cover*

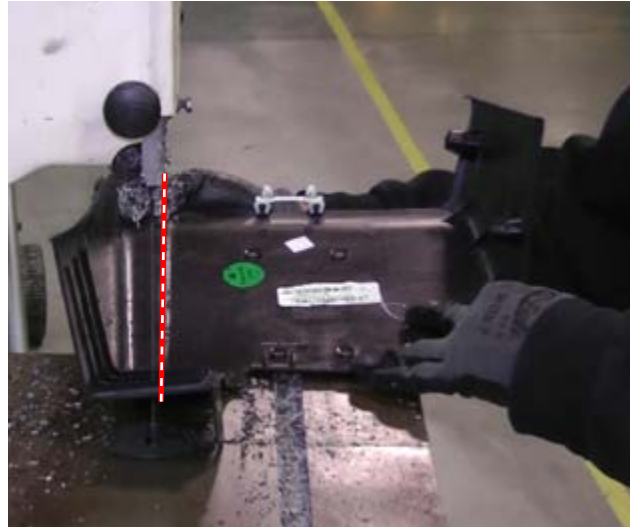


*Upper trim panel screw*

6. Use a saw to cut the rear section (cargo side) of upper and lower trim panels.



*Cut line for upper B-pillar trim*

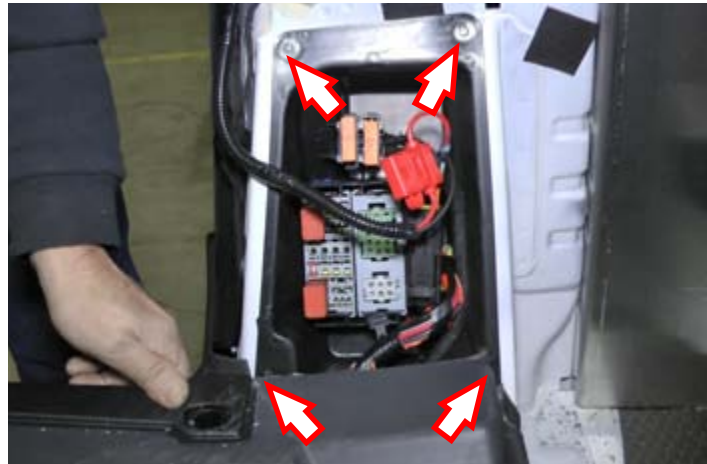


*Cut line for lower B-pillar trim*

7. Use a screwdriver to remove the RH stepwell liner screw and cover.
8. Pull back floor panel and stepwell liner to allow access to (4) screws securing the distribution panel.
9. Remove (4) screws and the foam padding behind panel and set aside.



*RH stepwell liner screw and cover*



*Distribution panel fasteners*



## Bulkhead Installation



**CAUTION:** Use a drill stop to keep from drilling through exterior panels.



**CAUTION:** Use care when removing headliner to avoid damaging active airbag systems above the cab doors.

1. Position the bulkhead in the cargo area and tip into place.
2. Use a center punch to align holes in the closeout panel with holes in the B-pillar.



*Position bulkhead in cargo area*



*Closeout panel holes*

3. Insert a 5/16 bolt and washer in top closeout panel hole and secure from inside B-pillar with washer and nut.



*Fastener in upper B-pillar*



*Nuts inside B-pillar*

4. Secure (2) 5/16 bolts, (4) washers and nuts.
5. Use the lower closeout panel hole as a guide to drill (1) 3/8" hole in the B-pillar.





*3/8" hole drilled in B-pillar*



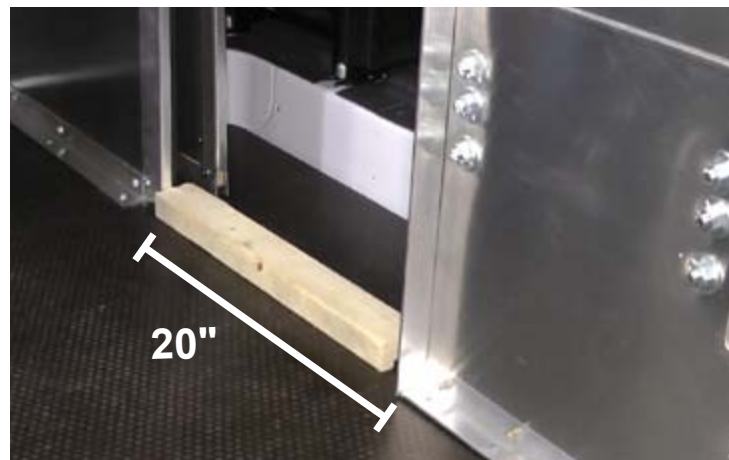
*Nut and washer inside distribution panel*

6. Insert (1) 5/16 bolt and washer and secure from inside the distribution panel with a washer and nut.
7. Mark a chalk line between the (2) forward cargo floor tie-downs.
8. Align bulkhead door posts 19-3/4" from chalk line to set door opening.

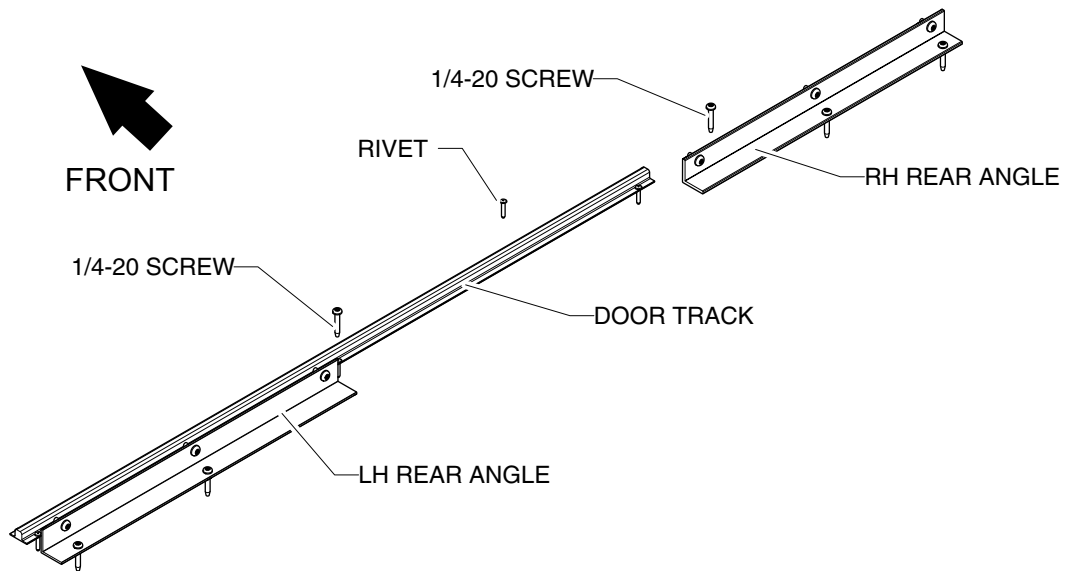


*Chalk line for bulkhead alignment*

9. Use a 20" wood block to set the door opening.



*Wood block to set door opening*

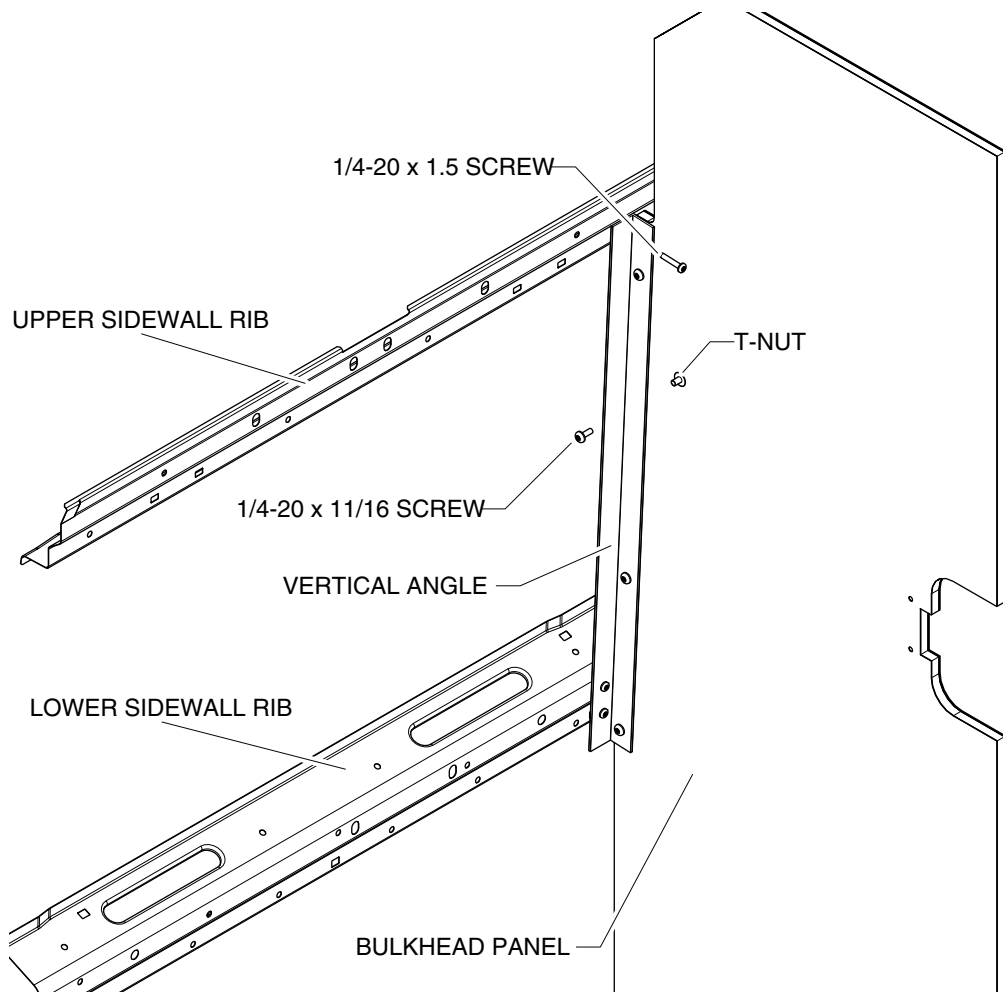


*Overview of door track fasteners*

10. Drill (6) H-bit holes through the LH and RH rear floor angles and into the cargo floor.
11. Secure with (6) 1/4-20 x 1.5 screws.



*LH rear floor angle shown*



*Overview of vertical angle fasteners*

12. Place the top end of the vertical angle bracket flush with the upper sidewall rib and the bulkhead.
13. Use an H-bit to drill (1) hole through the angle and the upper sidewall rib and (2) holes in the lower sidewall rib.
14. Secure with (3) 1/4-20 x 1.5 screws.



*Screws in upper and lower vertical angle*

15. Use a 5/16 bit to drill (4) evenly spaced holes through the angle and bulkhead wall.

16. Secure the angle to the bulkhead wall with (4) 1/4-20 x 11/16 screws and (4) 1/4-20 T-nuts.



*Holes drilled in angle and LH bulkhead wall*



*T-nuts inserted from cab side*

17. On vehicles with sidewall closeout panels installed, secure angle to panel with (2) additional screws.

18. Align the door track with the RH front floor angle. Use the holes in the door track as a guide to drill (10) H-bit holes.

19. Secure door track with (10) rivets.

20. Cycle the door to check for smooth movement.



*Fasteners in closeout panel and angle bracket*



*Door track to RH front floor angle alignment*



*Door track*

## B-Pillar Trim Installation



**WARNING:** The passenger's seat and seat belt restraint system may only be removed by an authorized Chrysler Group LLC technician in order to reprogram the airbag system.

1. Insert foam insulator in lower B-pillar opening.
2. Secure distribution panel with (4) screws.



*Distribution panel and stepwell screws*

3. Install stepwell trim screw and screw cover.
4. Install upper B-pillar trim panel with (2) screws and the screw cover.

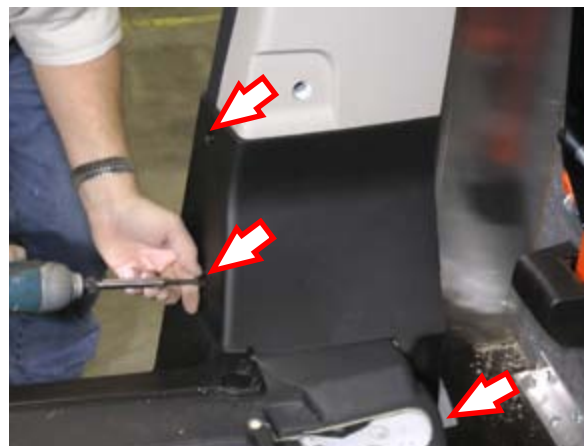


*B-pillar trim panel screw and cover*



*Trim panel fastener*

5. Install (3) lower B-pillar panel fasteners.
6. Install seat belt.



*Lower B-pillar panel fasteners*



## Load Carrying Modification Label

*NOTICE: Load Carrying Modification Label may be required to satisfy the statutory requirements for labeling contained in Title 49 of the United States Code, Chapter 5 (Motor Vehicle Safety) and regulatory requirements contained in 49 CFR Parts 567 (Certification) and 568 (Vehicles Manufactured in Two or More Stages). A person who alters a vehicle that previously has been certified in accordance with 49 CFR 571.110 may require an altered certification obligation. Altered certification regulations cover all manufacturing performed after the vehicle has been certified in the final stage and before the first purchase of the vehicle in good faith for purpose other than resale.*

*If you have any questions regarding labeling requirements or need to order labels, call NTEA at 1-800-441-6832.*

1. Fill out and apply the Load Carrying Modification Label as required.



## Revision Control

Document Part Number: 03104592-N018EN

Revision: A

April 2014

## Important Notices

© 2014, Utilimaster Corp.®

Title: *ProMaster—Bulkhead*

Utilimaster Corporation attempts to provide information that is accurate, complete, and useful. All information contained in this manual is based on the latest product information available at the time of publication. However, because of the Utilimaster policy of continual product improvement, Utilimaster reserves the right to amend the information in this document at any time without prior notice.

This material is confidential and the property of Utilimaster. It is shared with your company for the sole purpose of helping you with the operation of the described equipment.

Utilimaster makes no warranty of any kind with regard to this material, including, but not limited to, the implied warranties of merchantability and fitness for a particular purpose. Utilimaster shall not be liable for errors contained herein or for incidental or consequential damages in connection with the furnishing, performance, or use of this material.

Utilimaster expressly disclaims all responsibility and liability for the installation, use, performance, maintenance, and support of third-party products. Customers are advised to make their independent evaluation of such products.

No part of this document may be photocopied, reproduced, or translated to another language without the prior written consent of Utilimaster.

Utilimaster® is a registered trademark of Utilimaster Corporation. All other products or name brands mentioned in this document are trademarks of their respective owners.

Browse our web site [www.utilimaster.com](http://www.utilimaster.com) for more information about Utilimaster and its products.