

UTILIMASTER
REACHTM
Body Parts Manual



2015



Introduction

Congratulations on operating a Reach vehicle with a quality Utilimaster® body. Utilimaster is dedicated to serving our customers' needs through the excellence of our products, services, and information. Please read and follow the instructions in this document for safe and optimal operation and maintenance of this vehicle.

This manual contains exploded-view drawings, parts lists, and photos to aid in ordering replacement parts. It may include information on some items installed but not manufactured by Utilimaster Corporation. Information provided here is intended to assist Utilimaster customers and is in no way meant to replace or supersede instructions provided by other suppliers for their products.

This manual covers only those assemblies manufactured by or installed by Utilimaster® Corporation. Items such as chassis and drive train components or certain interior furnishings are covered by separate manufacturer-supplied information. For information on chassis and drivetrain operations, see the *Isuzu's NPR Stripped Chassis Owner's and Driver's Manual*. For additional technical documentation on service and wiring see the references in the More Information and Publications section.

Utilimaster Corporation attempts to provide accurate, complete, and useful information. All information contained in this manual is based on the latest product information available at the time of publication. However, because of the Utilimaster policy of continual product improvement, Utilimaster reserves the right to amend the information in this document at any time without prior notice.

Reach Customer Service

HOTLINE 574-848-2200

Monday–Friday 6:30 a.m. to 6 p.m. Eastern Standard Time Zone

Email: reach@utilimaster.com

NOTE: The information in this document is generic. Images and procedures may differ from those for vehicles you are servicing. Because Utilimaster manufactures customized vehicle bodies, this document cannot list and illustrate every possible option for every vehicle. The most common body options are described here. Use this information as a guideline.

Contents

<i>Introduction</i>	2
<i>Vehicle Overview</i>	8
<i>VIN, Body Serial, and Work Order Numbers</i>	9
<i>Vehicle Orientation</i>	9
<i>Back-up Alarm</i>	10
<i>Bird Cage</i>	11
<i>Assembly</i>	11
<i>Installation</i>	13
<i>Bulkhead</i>	14
<i>Assembly</i>	14
<i>Door Assembly</i>	15
<i>Door Installation</i>	16
<i>Handles</i>	17
<i>Ramps</i>	19
<i>Bumper, Front</i>	20
<i>Fascia Assembly</i>	20
<i>Fascia Installation</i>	21
<i>Support</i>	22
<i>Bumpers, Rear</i>	23
<i>Shock Absorbing</i>	23
<i>Rigid Mount</i>	24
<i>Dock Bumpers</i>	25
<i>Chassis Prep</i>	26
<i>Frame Risers</i>	26
<i>Fuel Fill Hose</i>	27
<i>Fuel Fill Hose Cover</i>	28
<i>Cladding</i>	29
<i>Overview</i>	29
<i>Braces</i>	30
<i>Brackets</i>	31
<i>Side Panels</i>	32
<i>DEF Door</i>	36
<i>Cowl Panels</i>	37
<i>Dash</i>	38
<i>Assembly</i>	38
<i>Convenience Panel</i>	39
<i>Structure</i>	40

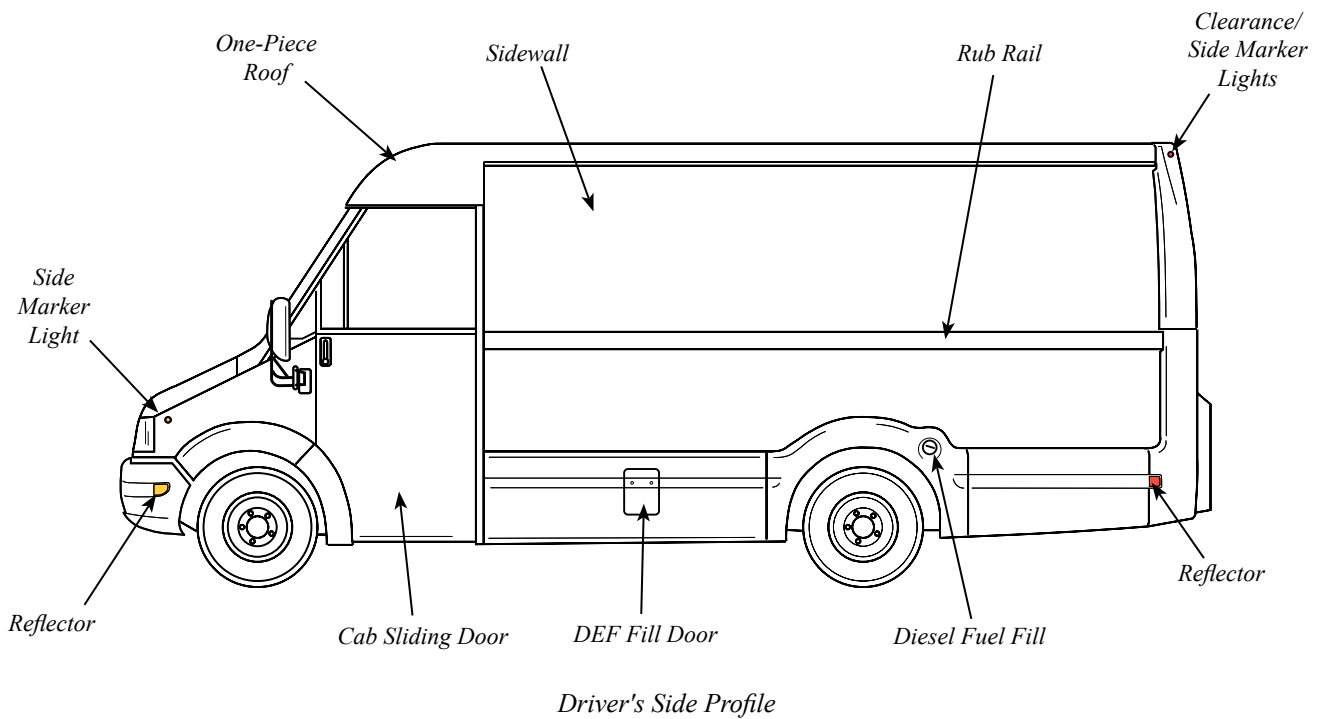
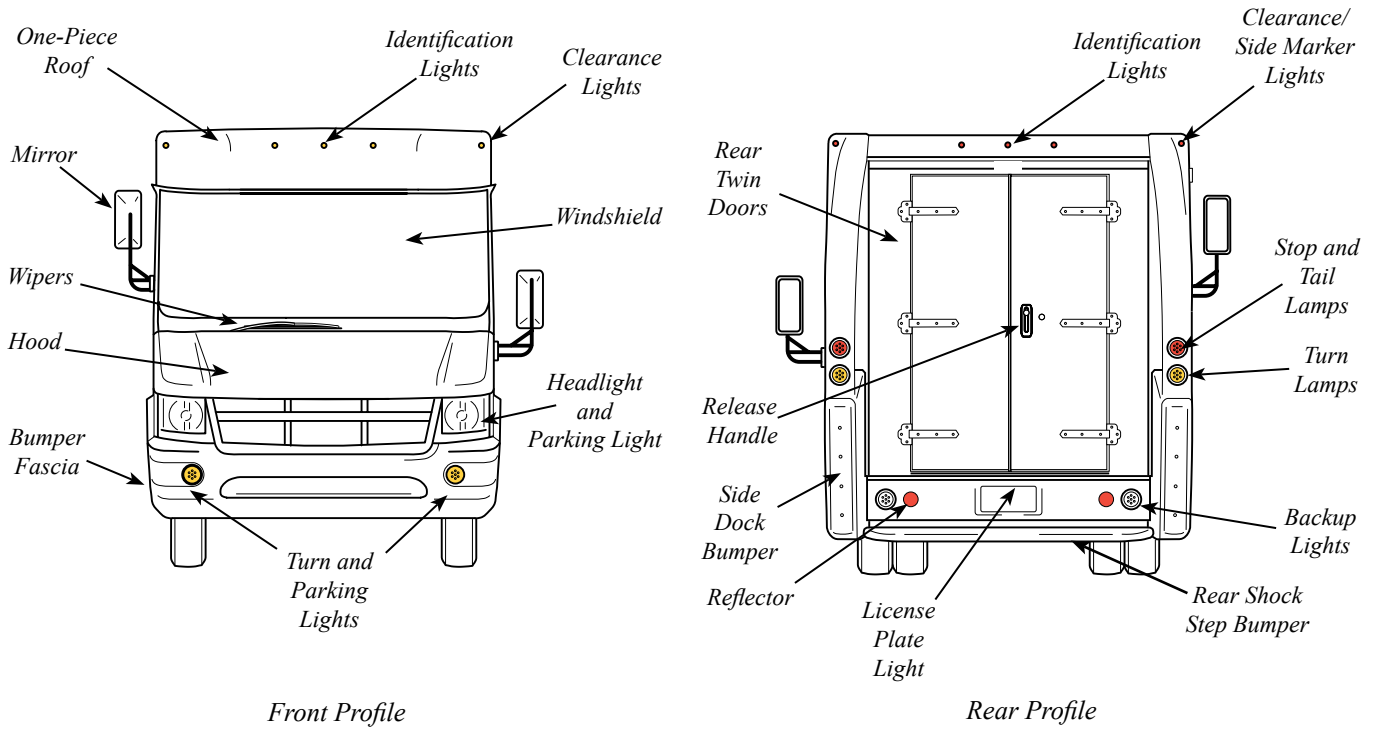
Decals	41
Standard	41
Hood	43
Chassis	44
Exterior	45
Document Holders	46
Bulkhead	46
Engine Cover	47
Doors, Cab Slider	48
Secondary Catch Plate	48
Driver's Side	49
Assembly	49
Door Ring Assembly	52
Handles	53
Installation	59
Passenger's Side	60
Assembly	60
Assembly with Lower Window	62
Door Ring	64
Handles	65
Installation	71
Threshold Assembly	72
Door Ring Installation	73
Door Pockets, Standard	74
Door Pockets, Parcel	75
Doors, Rear Roll-up T-Series	76
Assembly	76
Cable, T-Series	80
Enforcer Lock	81
Handles	82
Header Seal	86
Doors, Rear Roll-up W-Series	87
Assembly	87
Cable, W-Series	89
3-Way Light Switch	90

<i>Doors, Rear Swing</i>	91
<i>Assembly, Driver's Side</i>	91
<i>Assembly, Passenger's Side</i>	93
<i>Hardware</i>	95
<i>Engine Cover</i>	96
<i>Seal and Straps</i>	96
<i>Rear Hold Down</i>	97
<i>E-Track</i>	98
<i>Fire Extinguisher</i>	99
<i>Floor, Cab</i>	100
<i>Assembly, Standard</i>	100
<i>Assembly, Smooth</i>	101
<i>Assembly, Parcel</i>	102
<i>Cab Trim Panels, Driver's and Passenger's Yellow</i>	103
<i>Center Mat</i>	104
<i>Stepwell, Driver's Side</i>	105
<i>Stepwell, Passenger's Side</i>	106
<i>Stepwell, Passenger's Side Coated</i>	107
<i>Stepwell Battery Box Cover</i>	108
<i>Floor, Cargo</i>	109
<i>Assembly, V1</i>	109
<i>Assembly, V2</i>	111
<i>Floor Support</i>	113
<i>Floor Matting</i>	114
<i>Grille and Front Fenders</i>	115
<i>Assembly</i>	115
<i>Air Shrouds</i>	117
<i>Headlight Harnesses</i>	118
<i>Hazmat Placards</i>	119
<i>Headliner</i>	120
<i>One Dome Light</i>	120
<i>Two Dome Lights</i>	121
<i>Heating, Air Conditioning, and Ventilation (HVAC)</i>	122
<i>Air Intake</i>	122
<i>Control Head</i>	123
<i>Air Conditioning Hoses</i>	124
<i>Heater Hoses, With AC</i>	125
<i>Heater Hoses, No AC</i>	126

<i>Plenum With AC</i>	127
<i>Plenum, No AC</i>	128
<i>Hand Rails and Grab Handles</i>	129
<i>Passenger's Side Hand Rail, Yellow</i>	129
<i>Rear Door Grab Handle, Yellow</i>	130
<i>Hood</i>	131
<i>Assembly</i>	131
<i>Hinge, Driver's Side</i>	132
<i>Hinge, Passenger's Side</i>	133
<i>Latch Release</i>	134
<i>Mirrors</i>	135
<i>Side</i>	135
<i>Crosswalk</i>	136
<i>Mud Flaps</i>	137
<i>Rear, V1</i>	137
<i>Rear, V2</i>	138
<i>Overhead Panel</i>	139
<i>Compartments with Net</i>	139
<i>Speakers</i>	140
<i>Rear Structure</i>	141
<i>Assembly, Roll-up Door</i>	141
<i>Assembly, Swing Doors</i>	143
<i>Installation, Roll-up Door</i>	145
<i>Installation, Swing Doors</i>	146
<i>Lights with Incandescent Back-up</i>	147
<i>Lights with LED Back-up</i>	149
<i>Rear Vision Camera, WX-Series</i>	151
<i>Reflector Kit</i>	152
<i>Roof</i>	153
<i>Antenna</i>	153
<i>Front Clearance Lights</i>	154
<i>Round Cargo Lights</i>	155
<i>Rectangle Cargo Lights</i>	156
<i>Installation</i>	157
<i>Seating</i>	158
<i>Driver's Configurations</i>	158
<i>Jump Seat Configurations</i>	170

<i>Shelving, Extrusion Edge</i>	178
<i>Driver's Side Installation</i>	178
<i>Passenger's Side Installation</i>	179
<i>Shelving, Formed Edge</i>	180
<i>Driver's Side Installation</i>	180
<i>Passenger's Side Installation</i>	182
<i>Sidewalls</i>	184
<i>Driver's Side</i>	184
<i>Passenger's Side</i>	186
<i>Spare Tire Carrier</i>	188
<i>Straps</i>	190
<i>Hazardous Goods, Mounted</i>	190
<i>Hazardous Goods, Removable</i>	191
<i>Cart</i>	192
<i>Visors</i>	193
<i>Windshield Trim and Leaf Screen</i>	194
<i>Wiper System</i>	195
<i>Motor and Linkage Assembly</i>	195
<i>Wiper Arms</i>	197
<i>Wiper System Installation</i>	198
<i>Washer Fluid Reservoir</i>	199
<i>Linen Package</i>	200
<i>Stationary Shelving Package</i>	200
<i>Ordering Parts</i>	201
<i>Revision Control</i>	202
<i>Important Notices</i>	202

Vehicle Overview

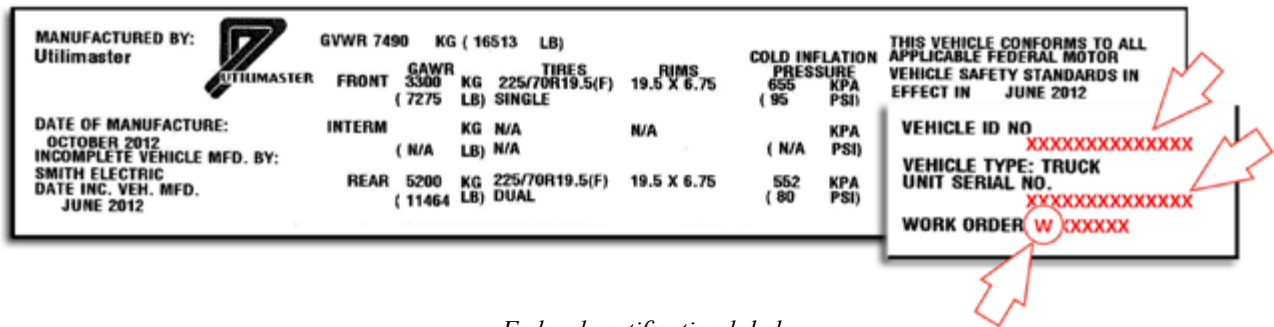


VIN, Body Serial, and Work Order Numbers

The 17-digit chassis **Vehicle Identification Number (VIN)** is the legal identifier for this vehicle and is the number recorded in the license plate registration. The VIN is recorded on a label attached to the bulkhead wall above the passenger's seat and on the **Federal Certification Label**. The Federal Certification Label is located on either the driver's rear door post or on the driver's door below the door latch. This label is a plastic decal (about 11" long and 2" high) that contains a variety of manufacturing information (including the VIN and **Work Order Number**).

The 15-digit **Utilimaster Body (or Unit) Serial Number** is recorded on the **Federal Certification Label**.

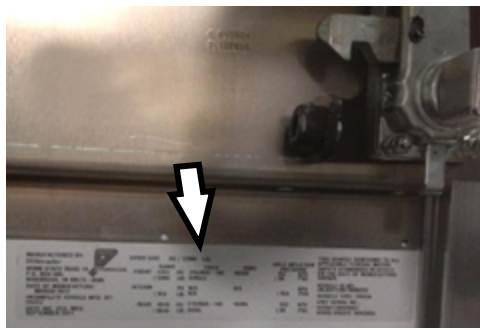
The **Body Serial Number** or 7-digit **Work Order Number** can also be used to identify the body for service inquiries.



Federal certification label



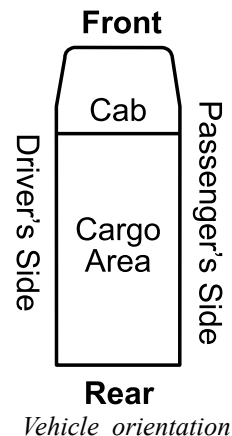
Chassis VIN tag



Federal certification label on driver's door

Vehicle Orientation

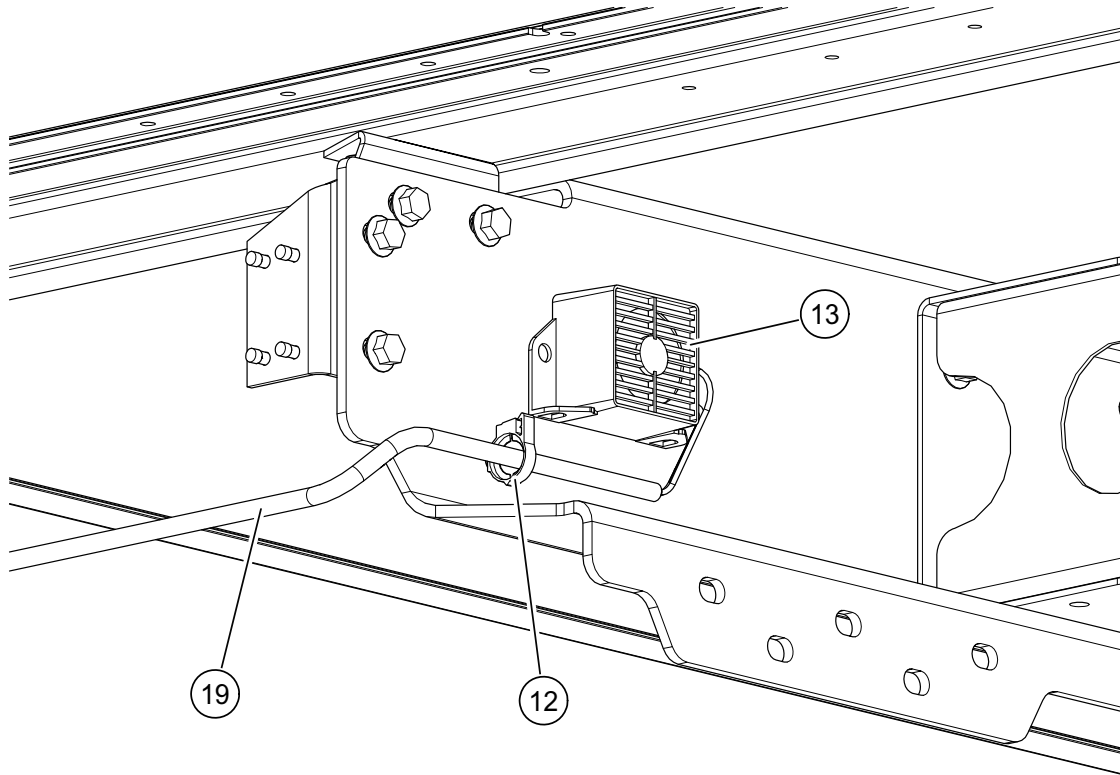
NOTE: When referring to part locations on corresponding sides of the vehicle, refer to them as "Driver's Side or LH," "Passenger's Side or RH," "Front," "Rear," "Cab," or "Cargo Area."



Back-up Alarm

52431035

Viewed from underneath.



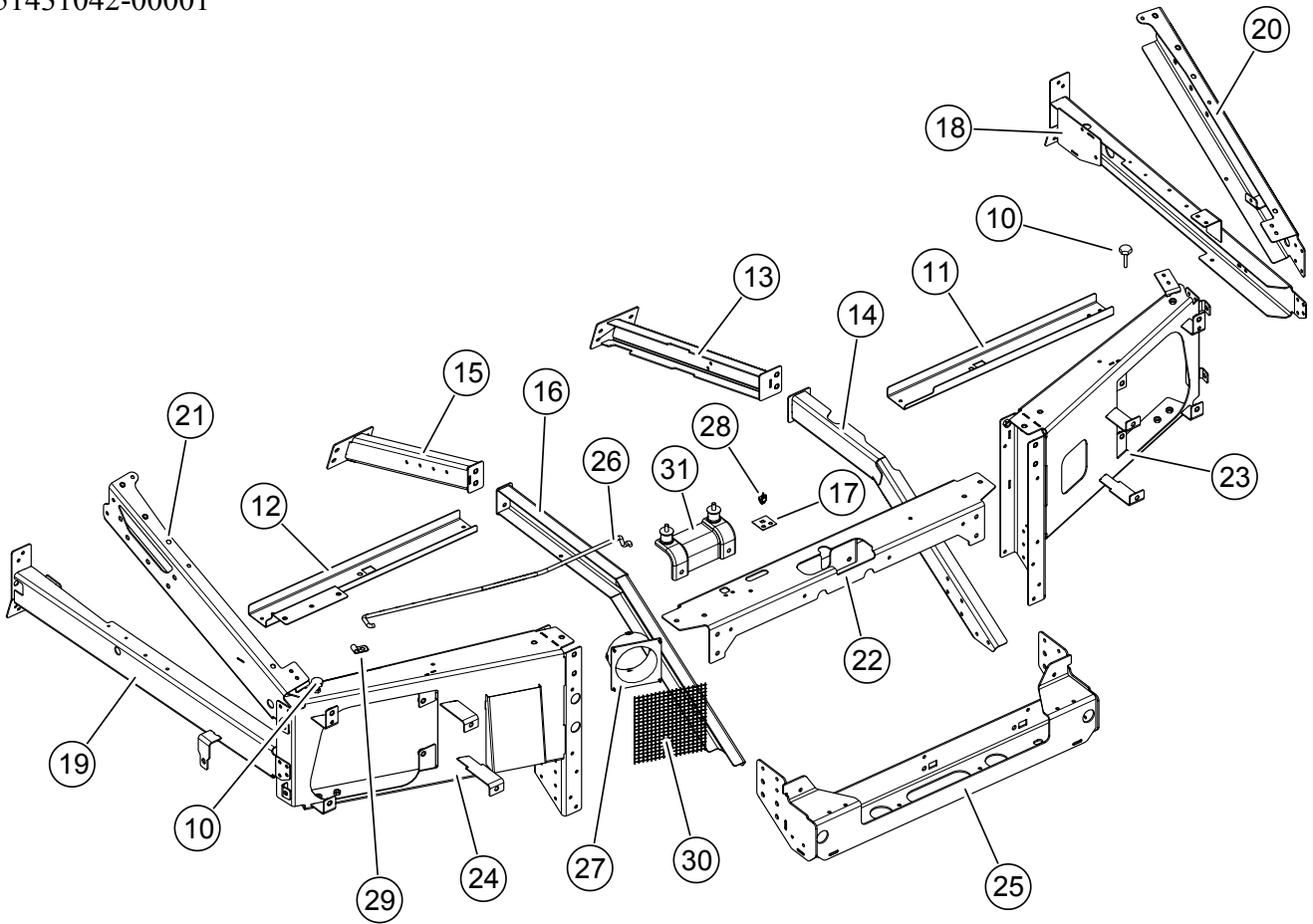
BOM ID	Part Number	Description	Qty
0	REFERENCE	52431035b BACK-UP ALARM	1
12	16514394	CONDUIT CLIP 16MM NAIL	1
13	21310104	ALARM BACK-UP SAFETY	1
19	16513694	HARNESS BACKUP ALARM JUMPER	1
NS_1	M06100FN3X	NUT M6-1.00 FLG G8.8 BZ	2
NS_2	UT29-BB1-002	BOLT M6-1.00 X 16 FLG G8.8 BZ PTCH	2

Order the complete back-up alarm upfit kit 52431035SK.

Bird Cage

Assembly

51431042-00001



Bird Cage

Assembly

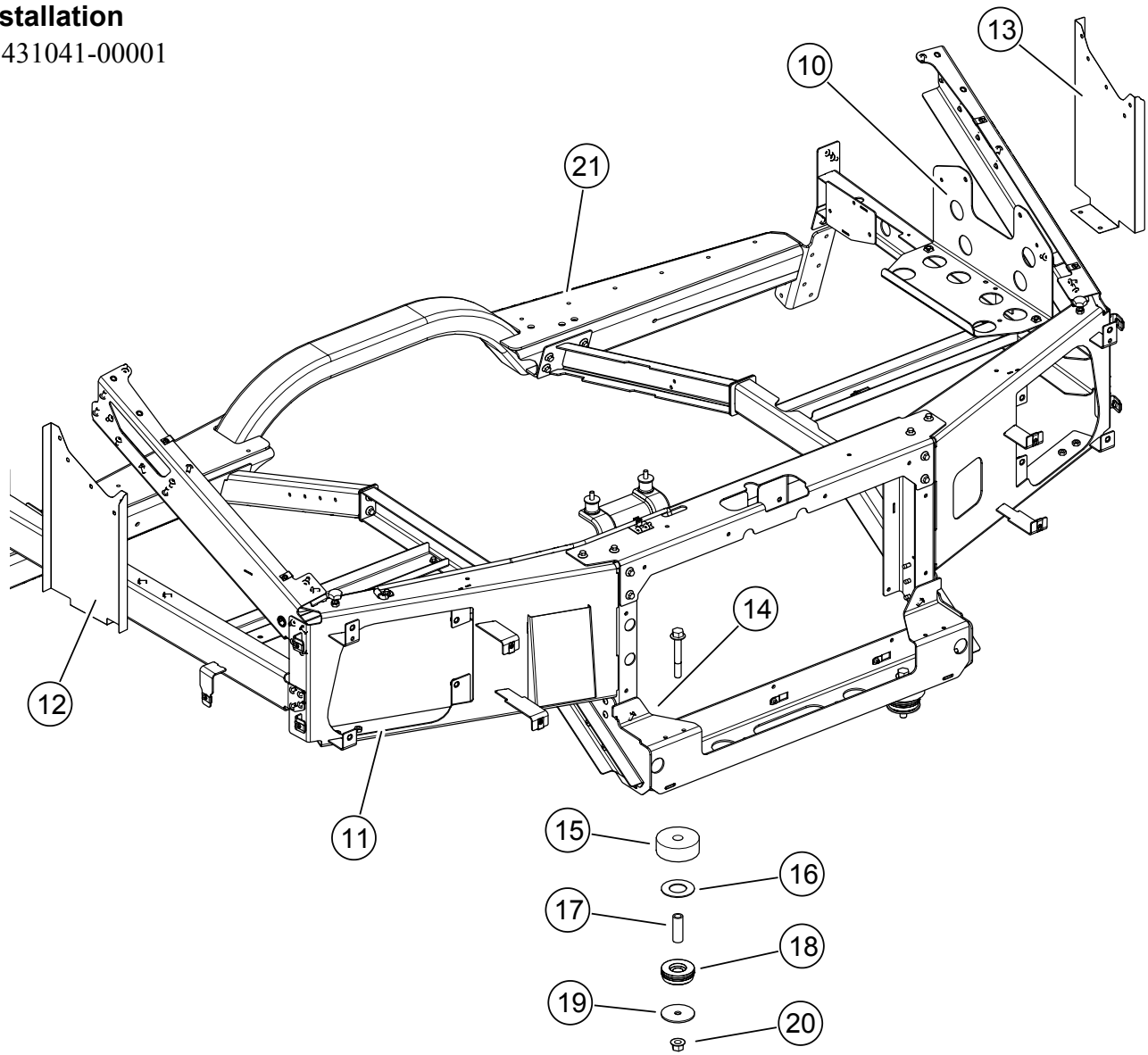
51431042-00001

BOM ID	Part Number	Description
0	REFERENCE	51431042-00001b BIRD CAGE ASSEMBLY
10	11601177	BUMPER HOOD OVERSLAM
11	22826001	SUPPORT WHEEL LINER LH
12	22825990	SUPPORT WHEEL LINER RH
13	22826281	SUPPORT WELDMENT LOWER DASH LH
14	22825987	FRAME WELDMENT FRONT CENTER LH
15	22826280	SUPPORT WELDMENT LOWER DASH RH
16	22825986	FRAME WELDMENT FRONT CENTER RH
17	22825981	BRACKET PROP ROD RETAINER
18	22825978	BRACE LOWER FRONT LH
19	22825977	BRACE LOWER FRONT RH
20	22825976	RAIL WELDMENT UPPER FRONT LH
21	22825975	RAIL WELDMENT UPPER FRONT RH
22	22825973	SUPPORT WELDMENT FRONT UPPER
23	22825964	SUPPPORT WELDMT HEADLAMP LH
24	22825963	SUPPPORT WELDMT HEADLAMP RH
25	22825958	SUPPORT FRONT STRUCTURE LOWER
26	22822585	PROP ROD HOOD
27	20512652	INLET HVAC
28	08612031	CLIP HOOD PROP ROD RETAINING
29	08612030	CLIP HOOD PROP ROD
30	07206318	SCREEN HVAC INTAKE
31	REFERENCE	AIR INTAKE BRACKET

Bird Cage

Installation

51431041-00001



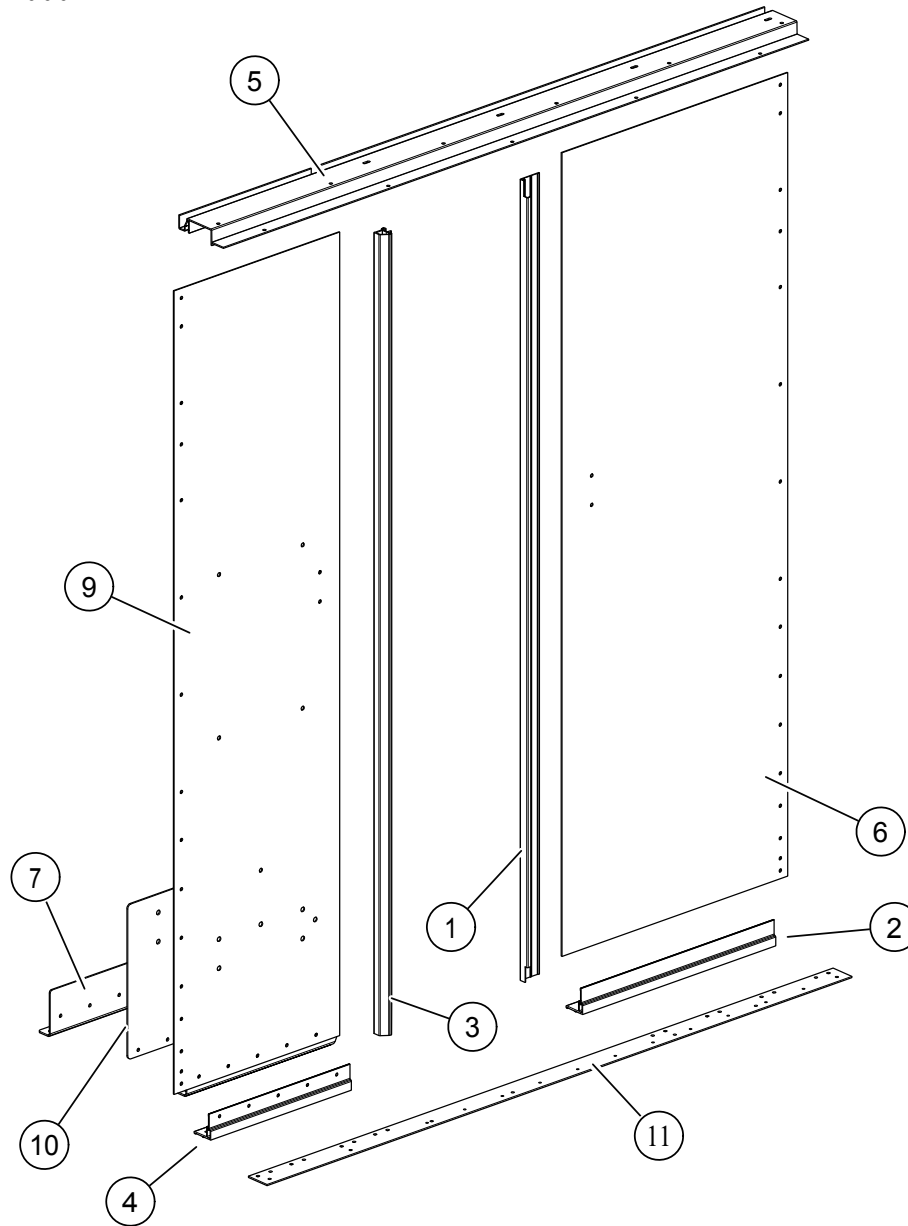
BOM ID	Part Number	Description
0	REFERENCE	51431041-00001b INSTAL BIRD CAGE
10	REFERENCE	TRAY RELAY BOX
11	REFERENCE	51431042 BIRD CAGE
12	22825982	SHIELD WATER RH
13	22825983	SHIELD WATER LH
14	08130350FH8X	BOLT 1/2-13 X 3.5 FLG GR 8 BZ
15	20511416	ISOLATOR UPPER BODY MNT
16	22823131	WASHER BODY MOUNT 2.5"
17	22822577	INSERT BODY MOUNT
18	20511292	ISOLATOR LOWER BODY MNT
19	22822579	SPACER LOWER BODY MOUNT
20	0813FLN8Y	NUT 1/2-13 FLG LCK GR8 ZN YEL
21	REFERENCE	22823041 SUBFRAME 2 BAR ASSY

Bulkhead

Assembly

54430015-FH000

Viewed from cab side.



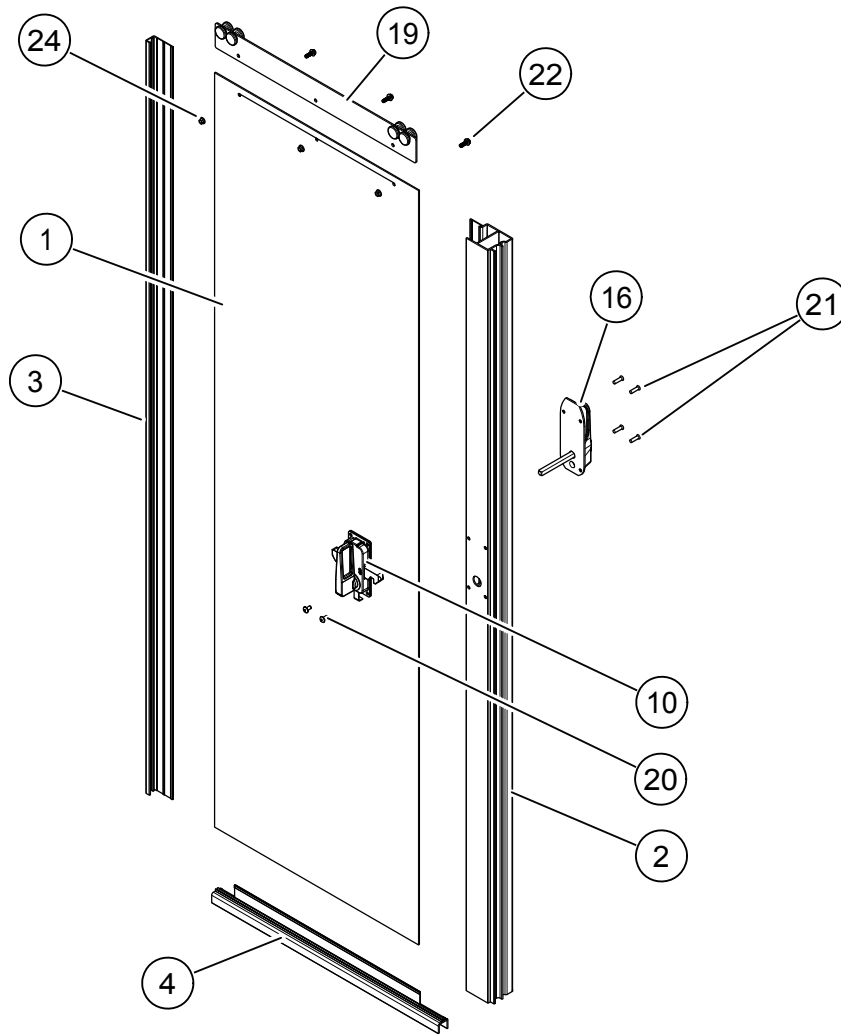
BOM ID	Part Number	Description	Qty
0	REFERENCE	54430015-FH000f BULKHEAD ASSY WO/DR W/JST	
1	06935526	RAIL FIXED PANEL LH	1
2	06935527	RAIL FLOOR LH	1
3	06936081-07738	FIXED PANEL EXTRUSION 77.38	1
4	06935530	RAIL FLOOR RH	1
5	06935528	RAIL TOP TRAVEL	1
6	02806642	PANEL BULKHEAD FIXED LH	1
7	22823645	ANGLE BULKHEAD FLOOR	1
9	02806644-F0000	PANEL BULKHEAD FIXED RH W/JST	1
10	22823647	PLATE JUMP SEAT	1
11	06937245	PLATE FLOOR TOP	1

Bulkhead

Door Assembly

54430016-H0000

Viewed from cab side.



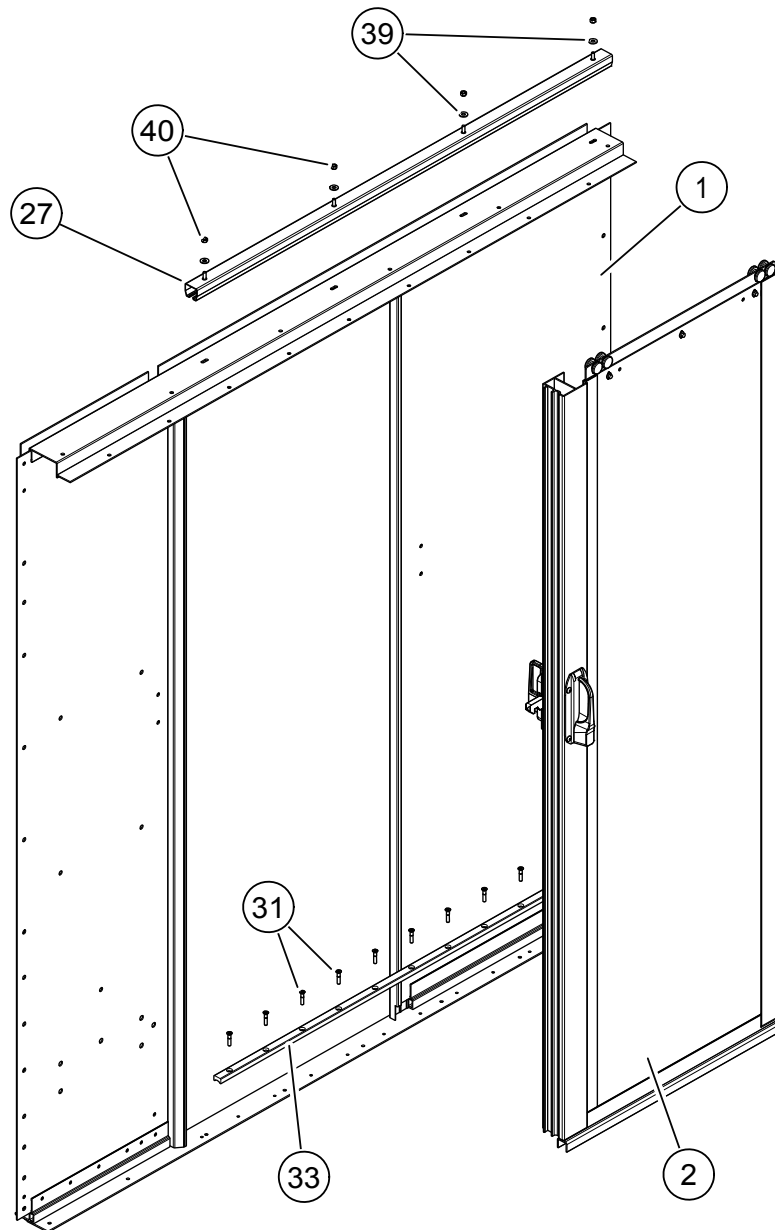
BOM ID	Part Number	Description	Qty
0	REFERENCE	54430016-H0000f BULKHEAD DOOR ASSY 80H	
1	02806643	PANEL BULKHEAD DOOR	1
2	06935529	RAIL BULKHEAD SLIDER HANDLE	1
3	06001236-07581	AE BULKHEAD PANEL LH	1
4	06935525	RAIL DOOR FRAME LOWER	1
10	REFERENCE	LATCH SL DR INT	
16	REFERENCE	HANDLE	
19	08612080	ROLLER ASSY BULKHEAD DOOR	1
20	11400023	MAGNA-LOC 1/4" STL SHORT	4
21	11400023	MAGNA-LOC 1/4" STL SHORT	3
22	UT29-BB1-002	BOLT M6-1.00 X 16 FLG G8.8 BZ PTCH	3
24	M06100FN3X	NUT M6-1.00 FLG G8.8 BZ	3

Bulkhead

Door Installation

54430014-FH000

Viewed from cab side.



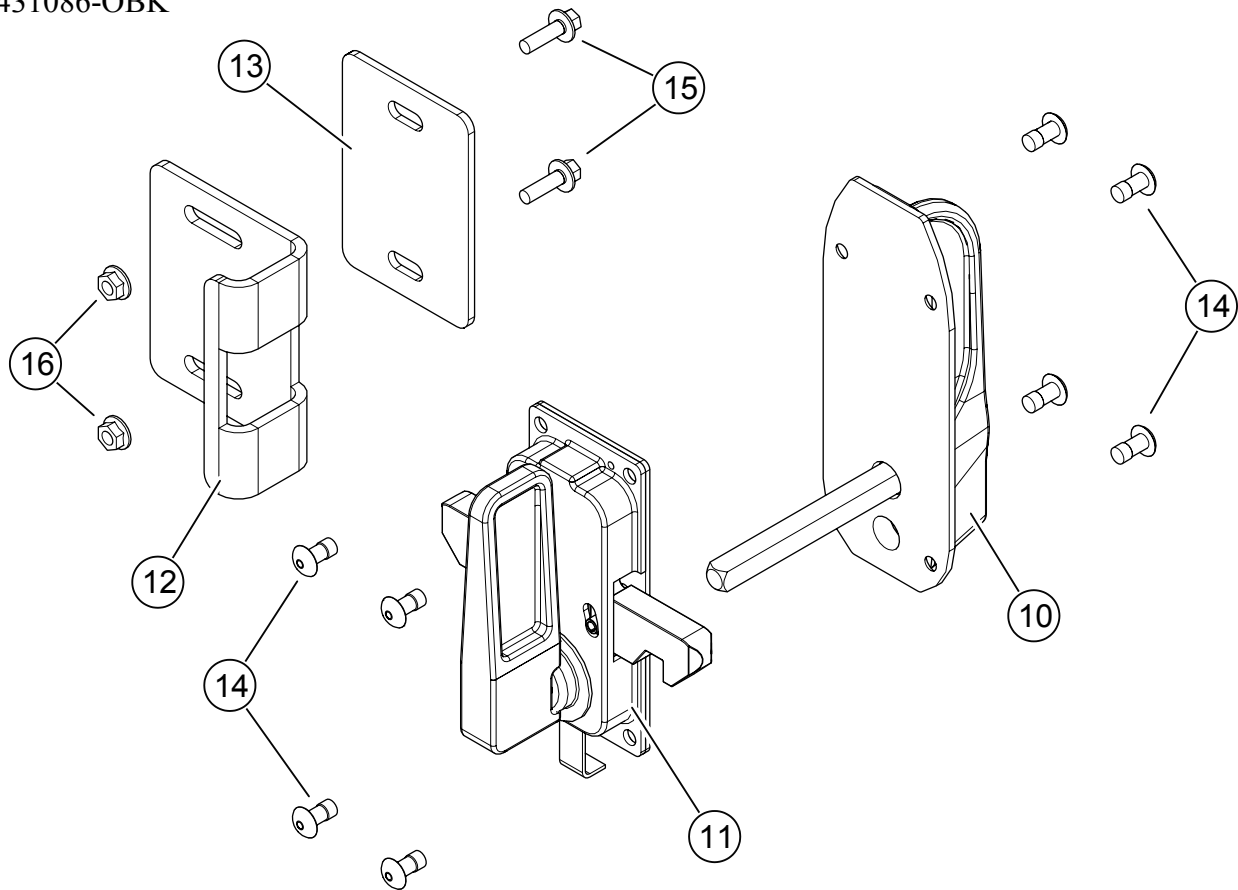
BOM ID	Part Number	Description	Qty
0	REFERENCE	54430014-FH000e BULKHEAD ASSY W/DOOR	
1	REFERENCE	54430015 BULKHEAD ASSY	
2	REFERENCE	54430016 BULKHEAD DOOR	
27	08612021	BULK HEAD TRACK COMPONENT	1
31	11305153	SCREW FC82 TX 1/4-20 1.25 ZN	11
33	20512532	LOWER DOOR TRACK STANDARD REACH.	1
39	04FWUSSZ	WASHER 1/4" FLAT	4
40	0420NLNZ	NUT 1/4-20 NYLON LK ZINC	4
NS_1	05402091-07763	SEAL DOOR 77.63	2

Bulkhead

Handles

Black, Key to Lock

64431086-OBK



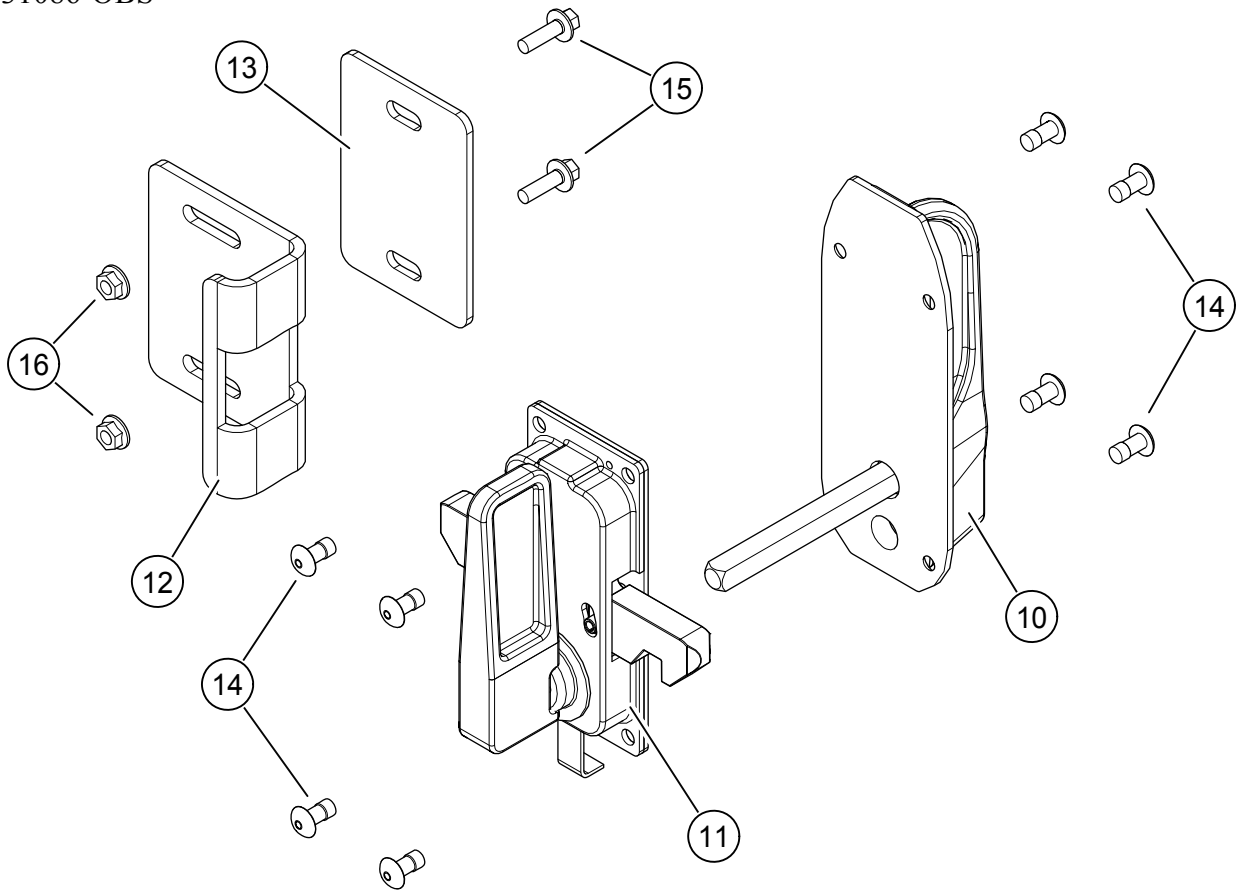
BOM ID	Part Number	Description	Qty
0	REFERENCE	64431086-OBKb BULKHEAD LATCH BLACK KEYED	
10	08611791-B375	HANDLE KSN 3/8 x 3.75" BLACK	1
10_NS	08611793-0000K	CYLINDER REMV KEY LOCK	1
11	08610393	LATCH SL DR INT	1
12	22822549	CATCH KASON SLIDING DOOR	1
13	22822600	BRACKET DOOR LATCH	1
14	11400023	MAGNA-LOC 1/4" STL SHORT	8
15	UT29-BB1-003	BOLT M6-1.00 X 20 FLG G8.8 BZ PTCH	2
16	M06100FN3X	NUT M6-1.00 FLG G8.8 BZ	2

Bulkhead

Handles

Black, Non-Lock

64431086-OBS

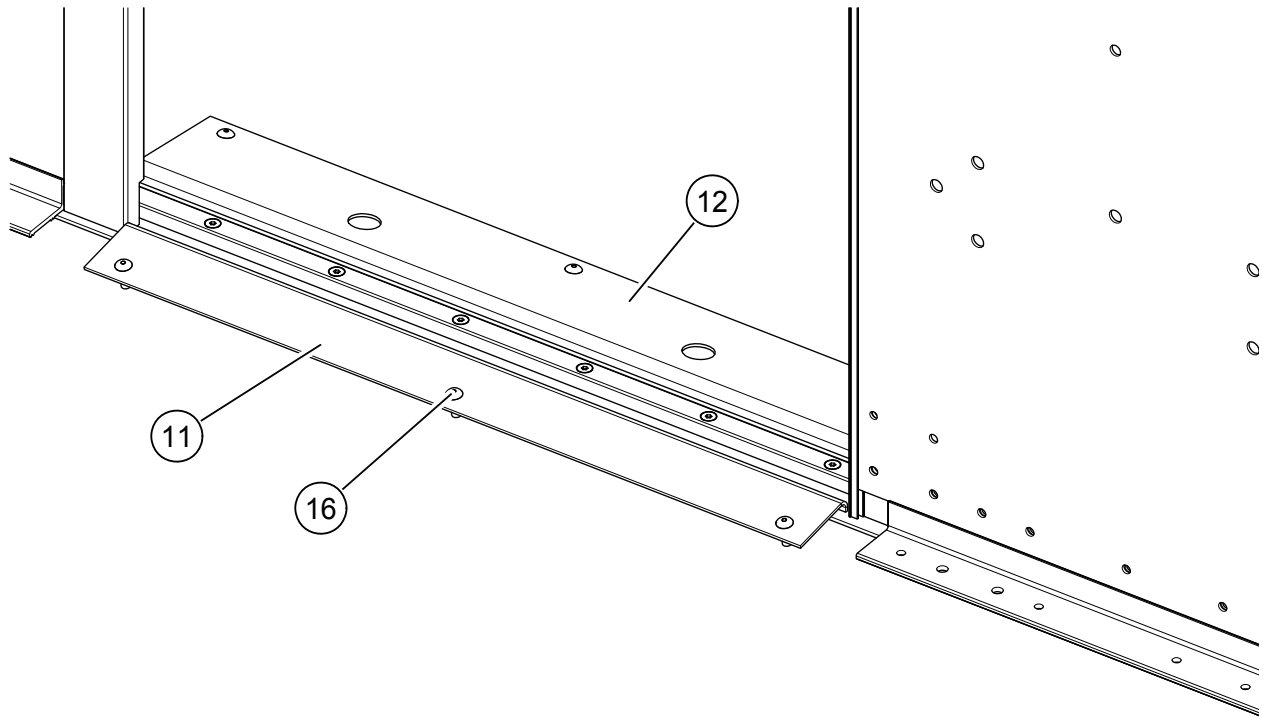


BOM ID	Part Number	Description	Qty
0	REFERENCE	64431086-OBSb BKHD LATCH BLACK SW KYLS	
10	08611861-B310	HANDLE 3/8 x 3.10 BLACK NON LOCK	1
11	08610393	LATCH SL DR INT	1
12	22822549	CATCH KASON SLIDING DOOR	1
13	22822600	BRACKET DOOR LATCH	1
14	11400023	MAGNA-LOC 1/4" STL SHORT	8
15	UT29-BB1-003	BOLT M6-1.00 X 20 FLG G8.8 BZ PTCH	2
16	M06100FN3X	NUT M6-1.00 FLG G8.8 BZ	2

Bulkhead

Ramps

64431105-00001



BOM ID	Part Number	Description	Qty
0	REFERENCE	64431105-00001b RAMP BHD LWR TRACK	
11	06928580-08650	RAMP REAR BULKHD 2.50 x 26.00	1
12	06938559	RAMP FRONT BHD EX CAB 4.00 x 23.25	1
16	11400029	MAGNA-LOC 1/4 AL	6

Bumper, Front

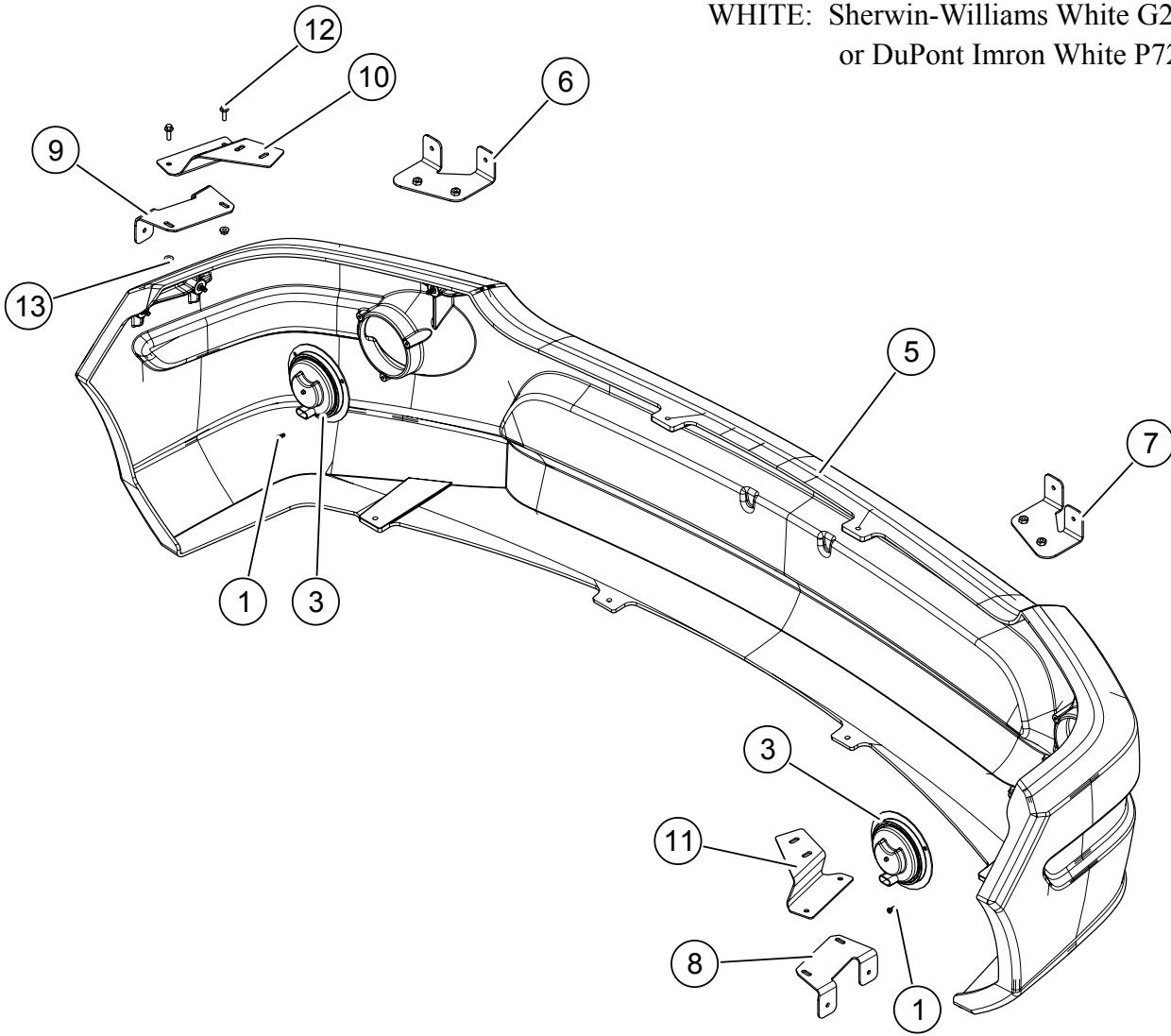
Fascia Assembly

51430019-G0000

Paint code references for cladding:

GRAY: Sherwin-Williams IMC Grey 37305

WHITE: Sherwin-Williams White G2N77175
or DuPont Imron White P7241HNNH

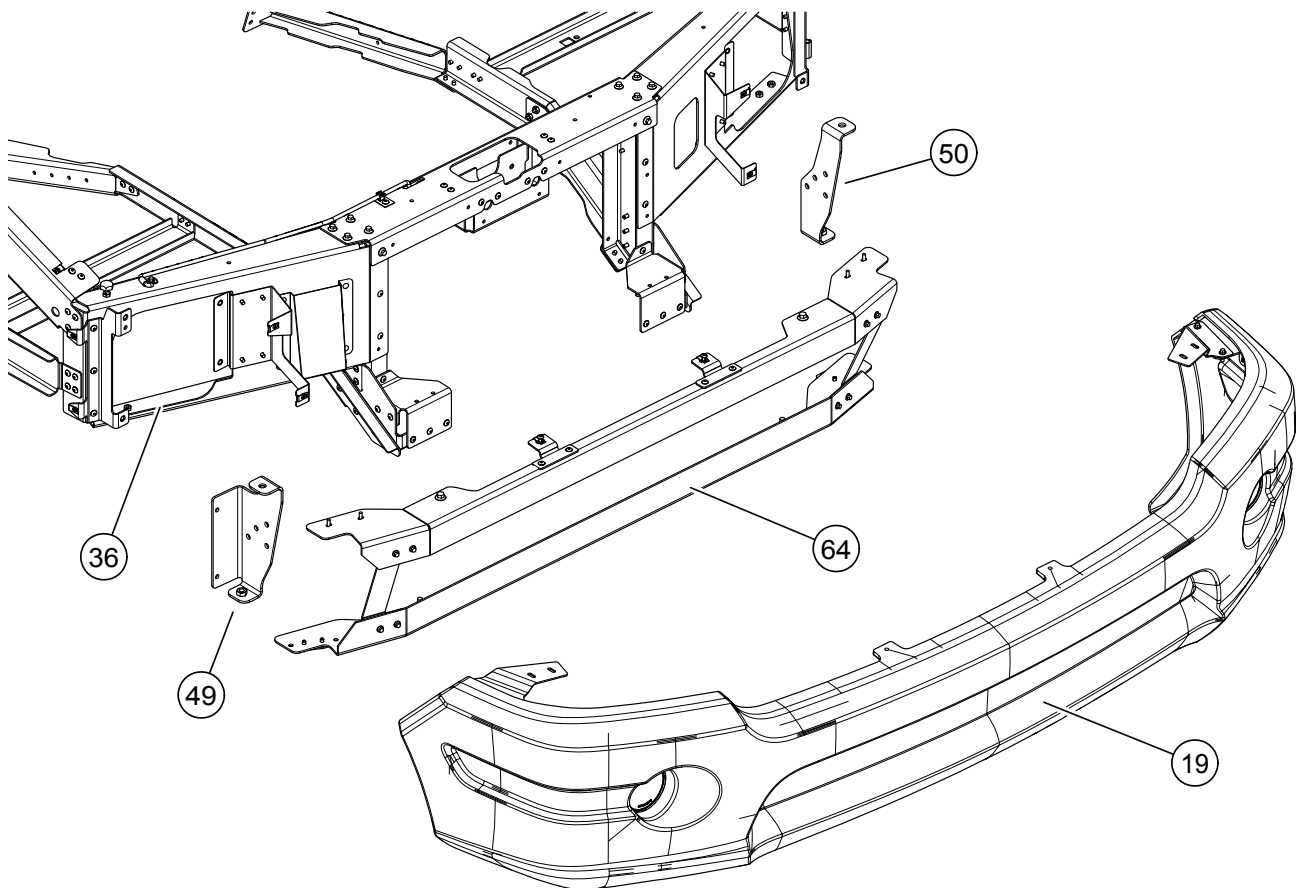


BOM ID	Part Number	Description	Qty
0	REFERENCE	51430019-G0000f BUMPER SUPPORT SUB ASSY GREY	
1	11601196	SCREW PNH PHL 10-16 X .50 TF SS	6
3	REFERENCE	LIGHT TURN LED 4" ROUND	2
5	20511419-G0000	FASCIA FRONT GREY	1
6	22824712	BRACKET FASCIA INBOARD LH	1
7	22824713	BRACKET FASCIA INBOARD RH	1
8	22822582	BRACKET FASCIA OUTBOARD RH	1
9	22822583	BRACKET FASCIA OUTBOARD RH	1
10	22825367	BRKT-FASCIA SUPT UPR LH	1
11	22825366	BRKT-FASCIA SUPT UPR RH	1
12	UT29-BB1-003	BOLT M6-1.00X20 FLG G8.8 BZ PTCH	4
13	M06100FNLN3Z	NUT M06-1.00 FLG NYLON LOCKING	12

Bumper, Front

Fascia Installation

51430023-G0000

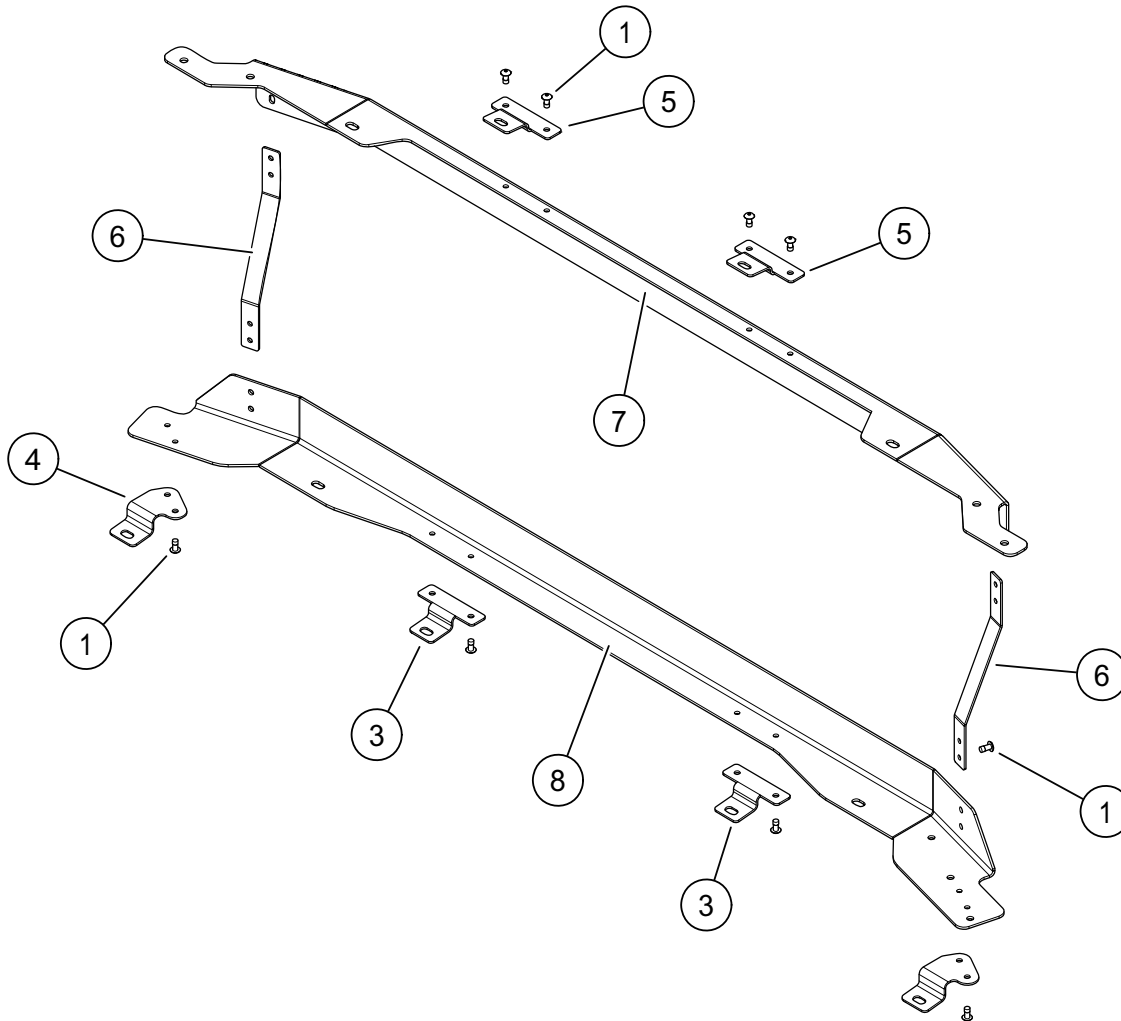


BOM ID	Part Number	Description	Qty
0	REFERENCE	51430023-G0000e BUMPER FRONT INSTALL GRY	
19	REFERENCE	51430019 BUMPER SUPPORT SUB ASSY	
36	REFERENCE	51430002 BIRD CAGE ASSEMBLY	
49	22824714	WELDMENT FRONT BUMPER EXTEN RH	1
50	22824721	WELDMENT FRONT BUMPER EXTEN LH	1
64	REFERENCE	51430018 BUMPER SUPT SUB-ASSY	

Bumper, Front

Support

51430018-00001



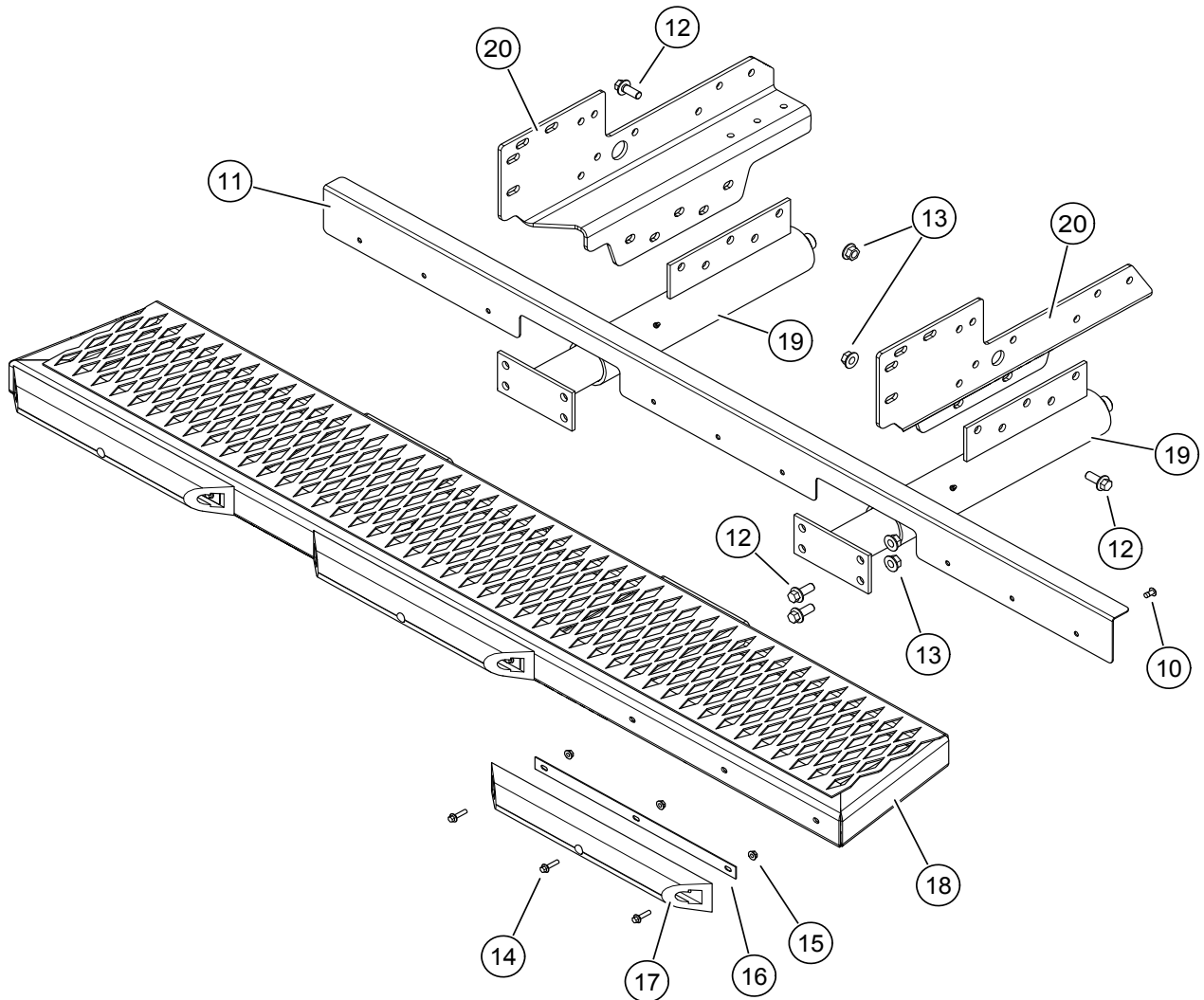
Order part number 51430018-00001 for the complete assembly.

BOM ID	Part Number	Description	Qty
0	51430018-00001	51430018-00001e BUMPER SUPT SUB-ASSY	1
1	11400023	MAGNA-LOC 1/4" STL SHORT	12
3	22822267	BRACKET FASCIA LOWER	2
4	22823222	BRACKET FASCIA	2
5	22823244	BRACKET FASCIA UPPER	2
6	22824703	BRACKET BUMPER SUPPORT	2
7	22824710	WELDMENT CENTER UPPER BMPR SPRT	1
8	22824711	WELDMENT CENTER LOWER BMPR SPRT	1

Bumpers, Rear

Shock Absorbing

51431035

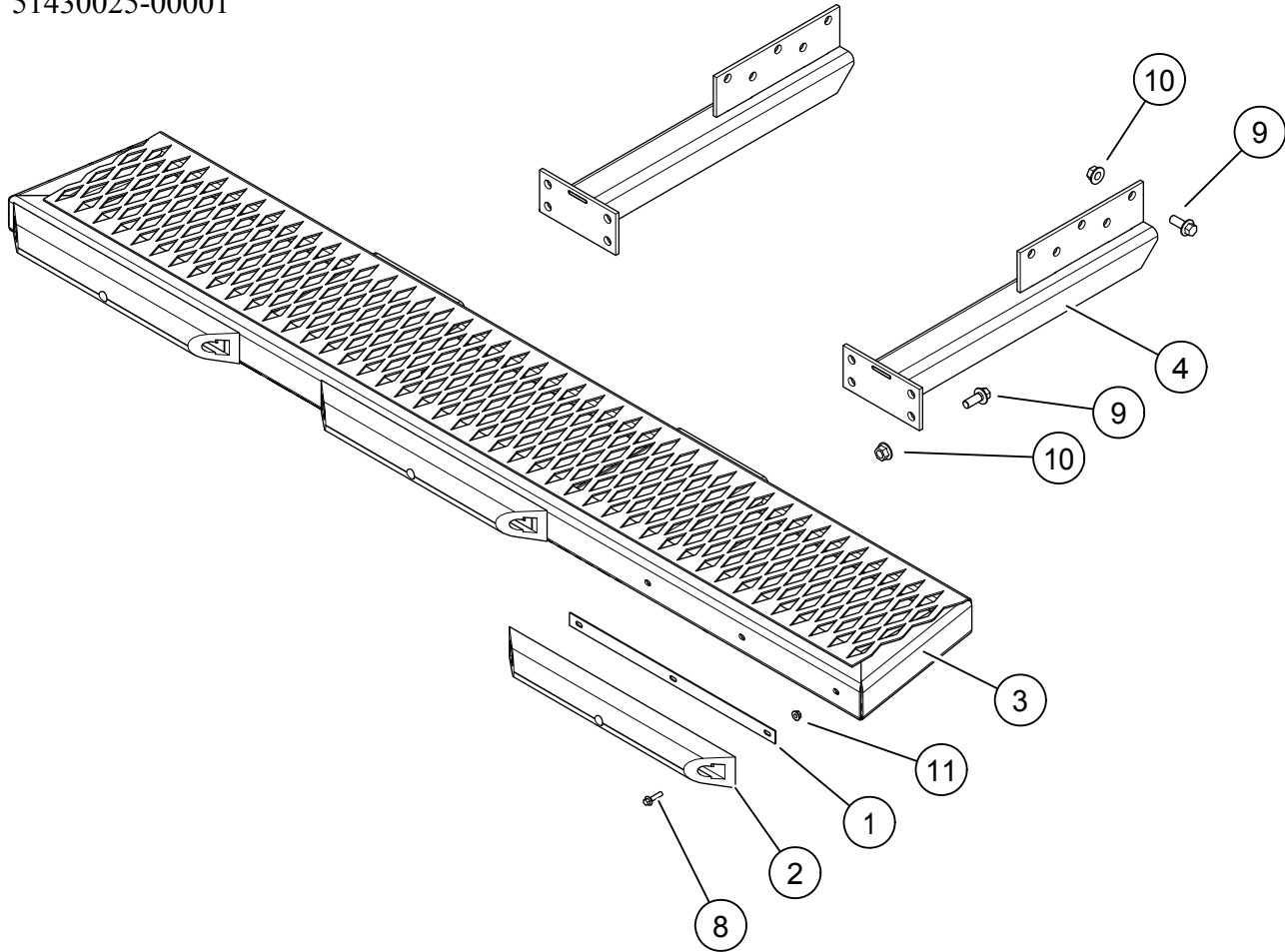


BOM ID	Part Number	Description	Qty
0	REFERENCE	51431035b REAR BUMPER	
10	11400023	MAGNA-LOC 1/4" STL	9
11	22825640	STEP BUMPER SKIRT	1
12	UT29-BB1-010	BOLT M12-1.25 x 30 FLG G8.8 BZ PTCH	18
13	M12125FN3X	NUT FLG M12-1.25 G8.8 BZ	18
14	UT29-BB1-004	BOLT M6-1.00 x 25 FLG G8.8 BZ PTCH	9
15	M06100FN3X	NUT M6-1.00 FLG G8.8 BZ	9
16	06931378	RETAINER PLATE 18" DOCK BUMPER	3
17	20511048	BUMPER RUBBER DOCK 2 x 18	3
18	22822250	BUMPER STEP WELDMNT 10"	1
19	22822553	BUMPER SPRING ASSY WELDMT	2
20	REFERENCE	FRAME EXTENSION REAR	

Bumpers, Rear

Rigid Mount

51430025-00001

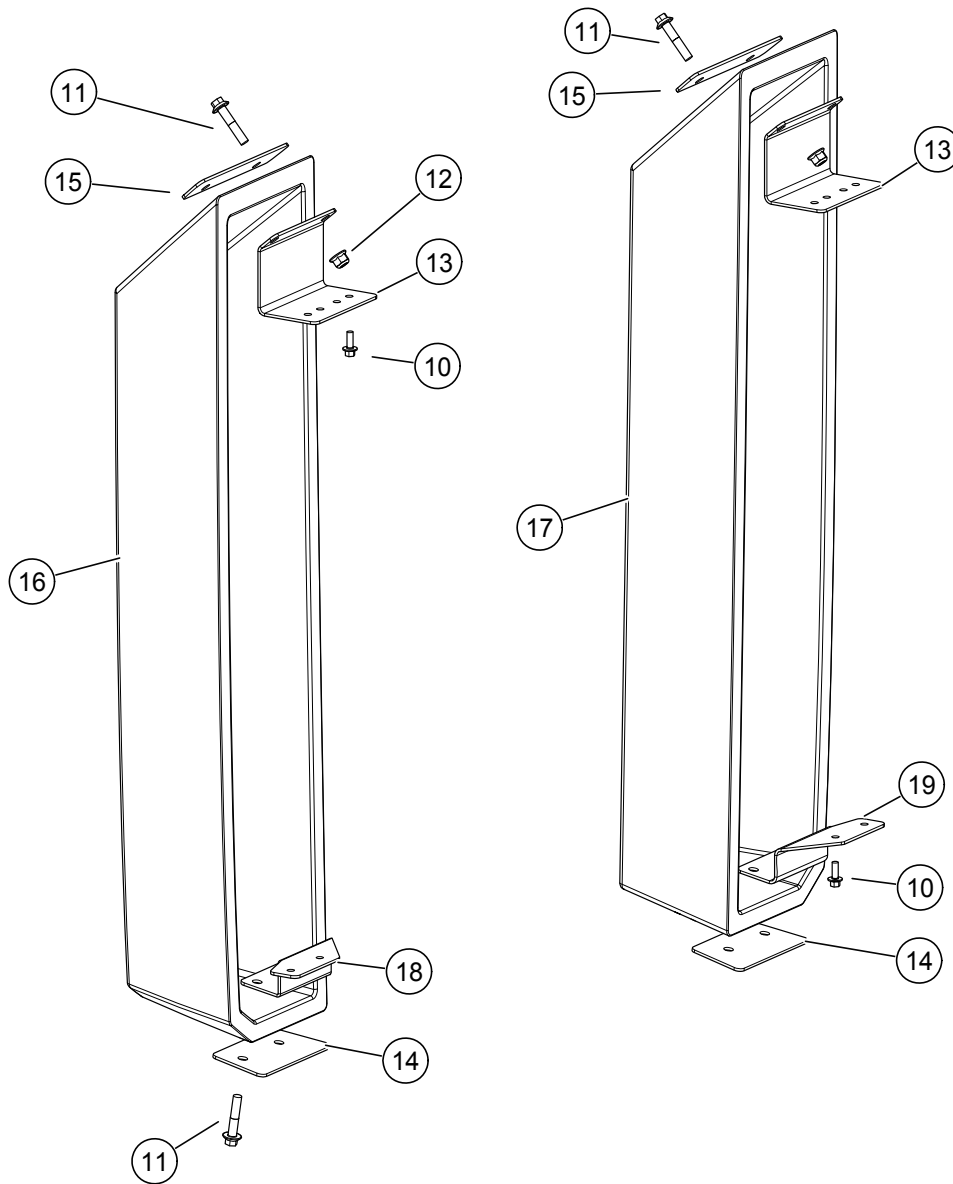


BOM ID	Part Number	Description	Qty
0	REFERENCE	51430025-00001e REAR BUMPER INSTALL SOLID	
1	06931378	RETAINER PLATE 18" DOCK BUMPER	3
2	20511048	BUMPER RUBBER DOCK 2 x 18L	3
3	22822250	BUMPER STEP WELDMENT 10"	1
4	22823369	BUMPER SOLID WLDMT	1
8	UT29-BB1-004	BOLT M6-1.00 X 25 FLG G8.8 BZ PTCH	9
9	UT29-BB1-010	BOLT M12-1.25X30 FLG G8.8 BZ PTCH	18
10	M12125FN3X	NUT FLG M12-1.25 G8.8 BZ	18
11	M06100FN3X	NUT M6-1.00 FLG G8.8 BZ	9

Bumpers, Rear

Dock Bumpers

55431029-00001

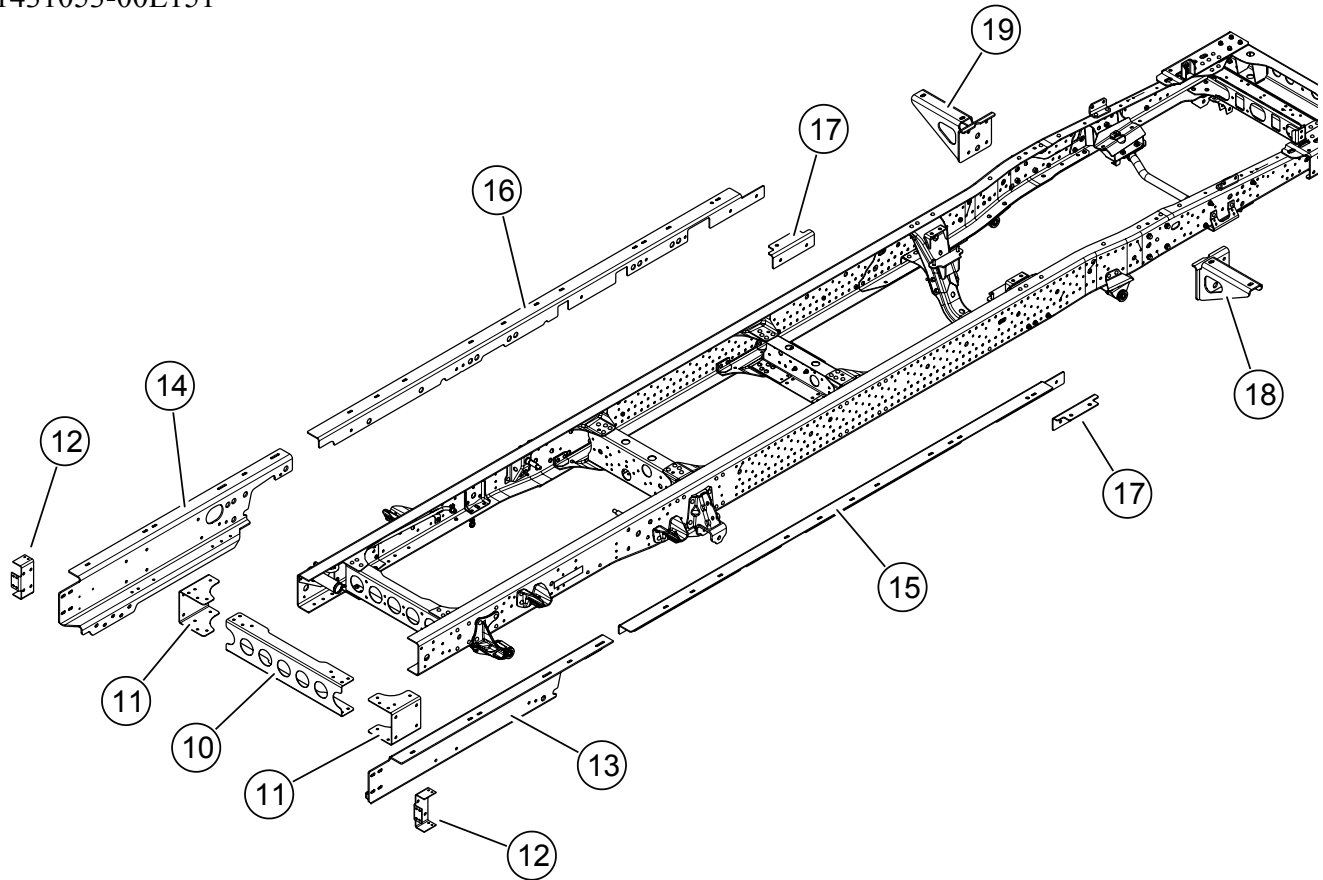


BOM ID	Part Number	Description	Qty
0	REFERENCE	55431029e BUMPER ANGLED BRACKET ASSY	
10	UT29-BB1-002	BOLT M6-1.00 X 16 FLG G8.8 BZ PTCH	8
11	UT29-BB1-015	BOLT M8-1.25 X 40 FLG G8.8 BZ PTCH	8
12	M08125FN3X	NUT M8-1.25 FLG G8.8 BZ	8
13	22825567	BRACKET DOCK BUMPER ANGLE TOP	2
14	22825521	BRACKET DOCK BMPR Z RETAIN PLATE BTM	2
15	22825516	BRKT DOCK BMPR Z RETAINING PLATE	2
16	20512604	BUMPER DOCK RH	1
17	20512605	BUMPER DOCK LH	1
18	22825515	BRACKET DOCK BUMPER Z LWR RH	1
19	22825514	BRACKET DOCK BUMPER Z LWR LH	1

Chassis Prep

Frame Risers

51431053-00E151

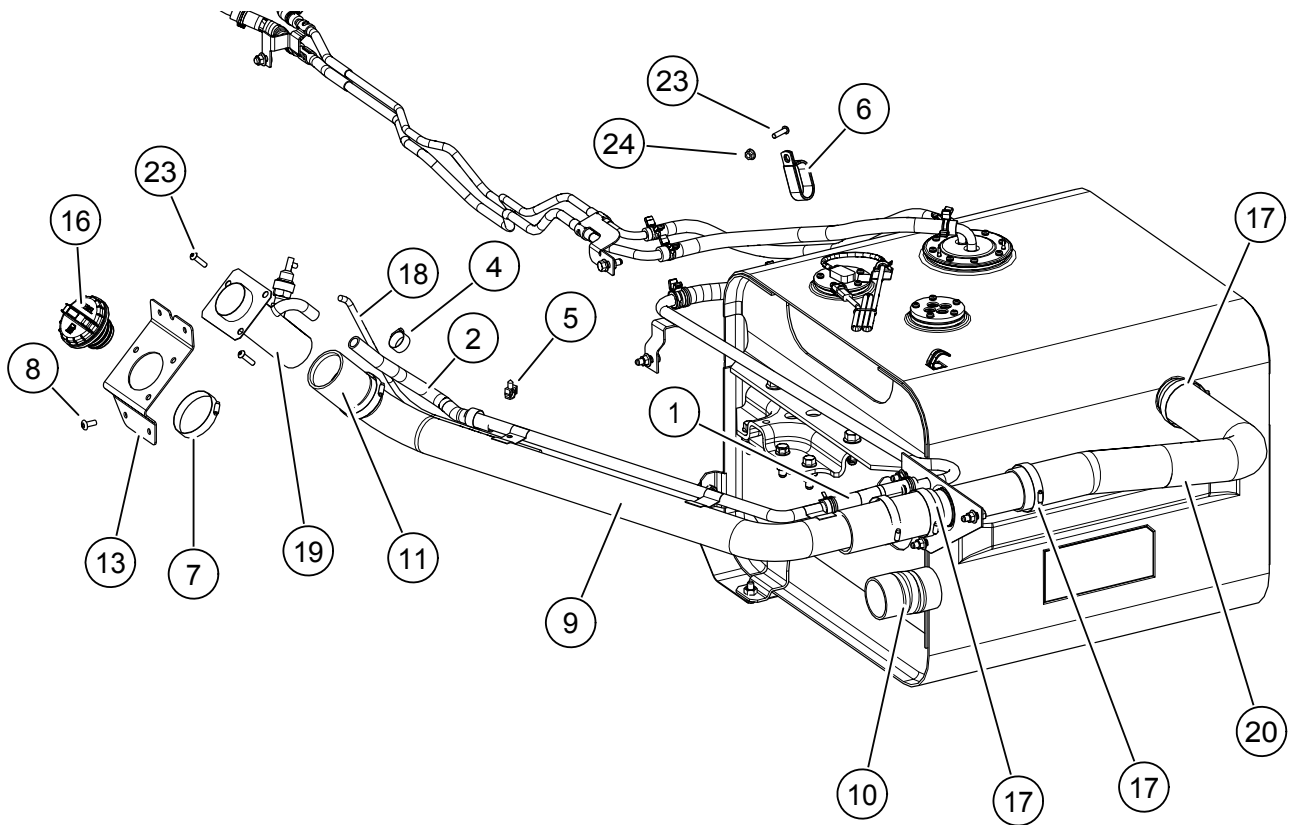


BOM ID	Part Number	Description
0	REFERENCE	51431053-00E151b CHASSIS PREP ASSEMBLY 14'
10	22823434	CROSSMEMBER REAR
11	22823433	CROSSMEMBER END ANGLE
12	22825972	SUPPORT REAR STRUCTURE
13	22826161	EXTENSION REAR RH 14'
14	22826160	EXTENSION REAR LH 14'
15	22823560	RISER FRONT FRAME RH 151WB
16	22825227	RISER FRONT FRAME LH 151WB
17	22823562	SUPPORT CAB CARGO ANGLE
18	22824852	SUPPORT RH TOE KICK WELDMENT
19	22824851	SUPPORT LH TOE KICK WELDMENT

Chassis Prep

Fuel Fill Hose

64430045-00001



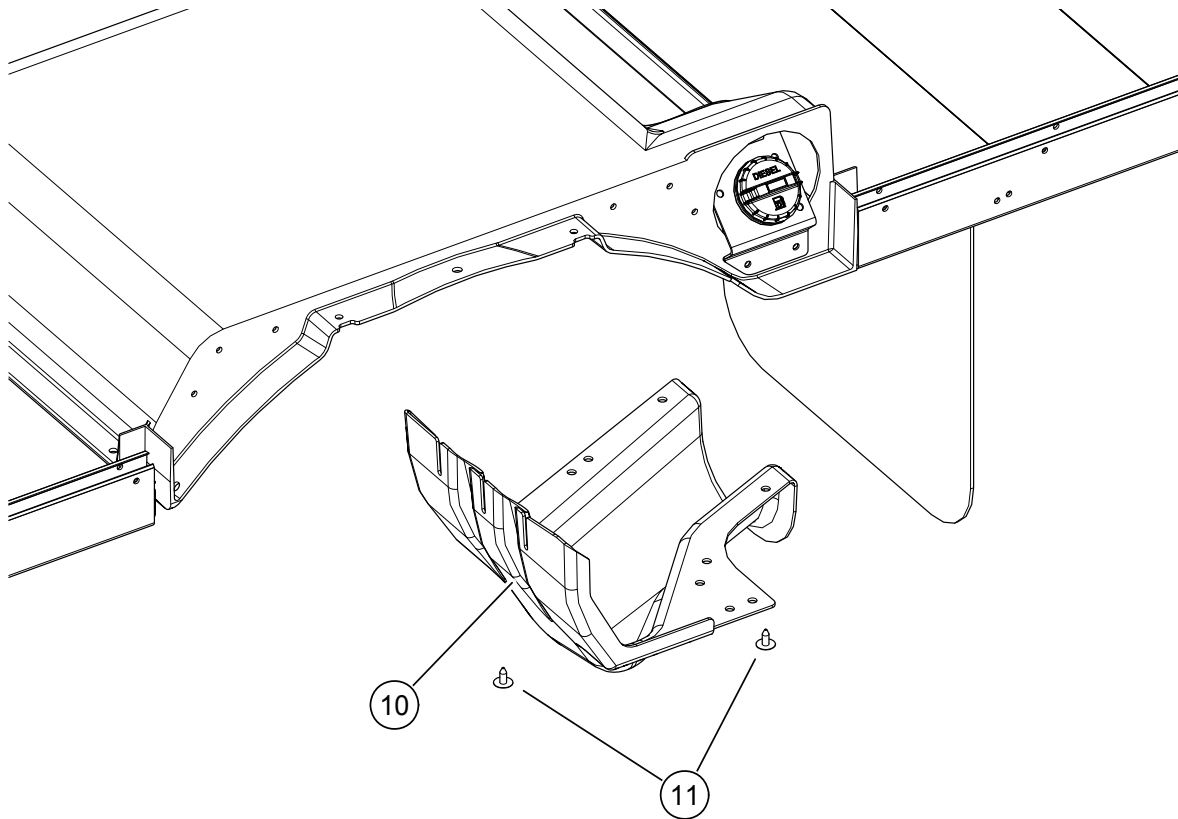
BOM ID	Part Number	Description	Qty
0	REFERENCE	64430045-00001h FUEL FILL ASSEMBLY	
1	01400697-00550	HOSE 19/32" GAS VENT 5.50"	1
2	01400697-01000	HOSE 19/32" GAS VENT 10.00"	1
4	08610786-00008	CLAMP HOSE SAE #8	2
5	08612027	CLIP SNAP IN WIRE	1
6	08613297-00001	CLAMP DOUBLE TUBE 1.000	1
7	08707505	CLAMP HOSE1-13/16-2-3/4	2
8	11600961-00004	RIVET HEMLOCK 1/4" STL	4
9	19901448	FUEL FILLER PIPE	1
10	19902451-00550	COUPLER FUEL FILL 2.03 I.D. 5.50"	1
11	19902451-00375	COUPLER FUEL FILL 2.03 I.D. 3.75"	1
13	22822308	BRACKET FUEL FILLER LH	1
16	8972187020	CAP FILLER	1
17	8981333490	CLIP JOINT	4
18	8981648760	HOSE BREATHER OUTLET	1
19	8981648770	NECK ASM FUEL FILLER	1
20	8981712120	HOSE FUEL FILLER	1
23	UT02-BB1-001	SCREW BT FLG SOCK M6-1.0 X 25 SS BLK	4
24	M06100FN3X	NUT M6-1.00 FLG G8.8 BZ	1

Chassis Prep

Fuel Fill Hose Cover

64431106

Sidewall not shown for clarity.



BOM ID	Part Number	Description	Qty
0	REFERENCE	64431106a FUEL FILL COVER	
10	20512537	COVER FUEL FILL	1
11	11601236	CHRISTMAS TREE CLIP .281 BLK	6

Cladding

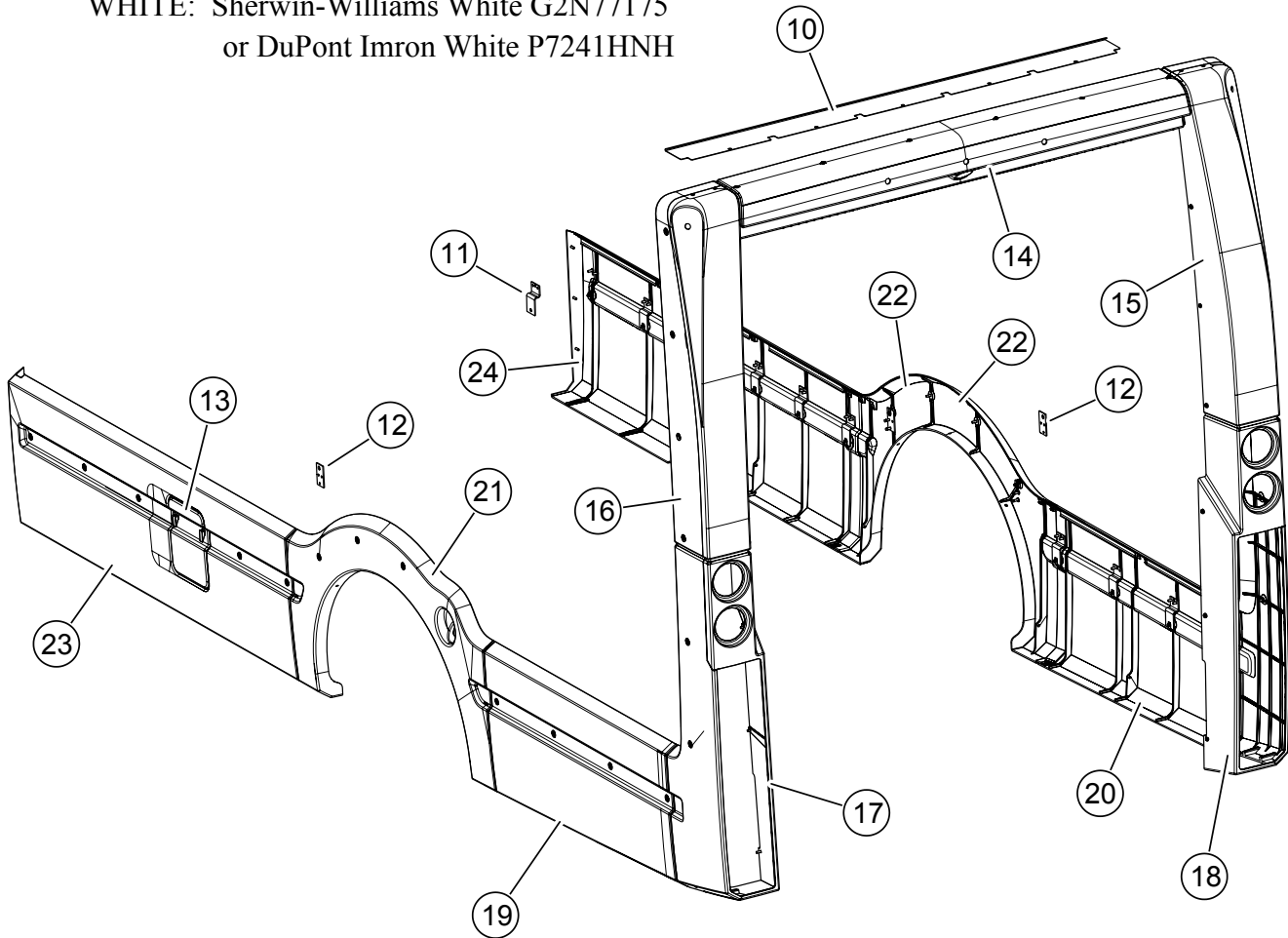
Overview

64431107-HEG00

Paint code references for cladding:

GRAY: Sherwin-Williams IMC Grey 37305

WHITE: Sherwin-Williams White G2N77175
or DuPont Imron White P7241HNN



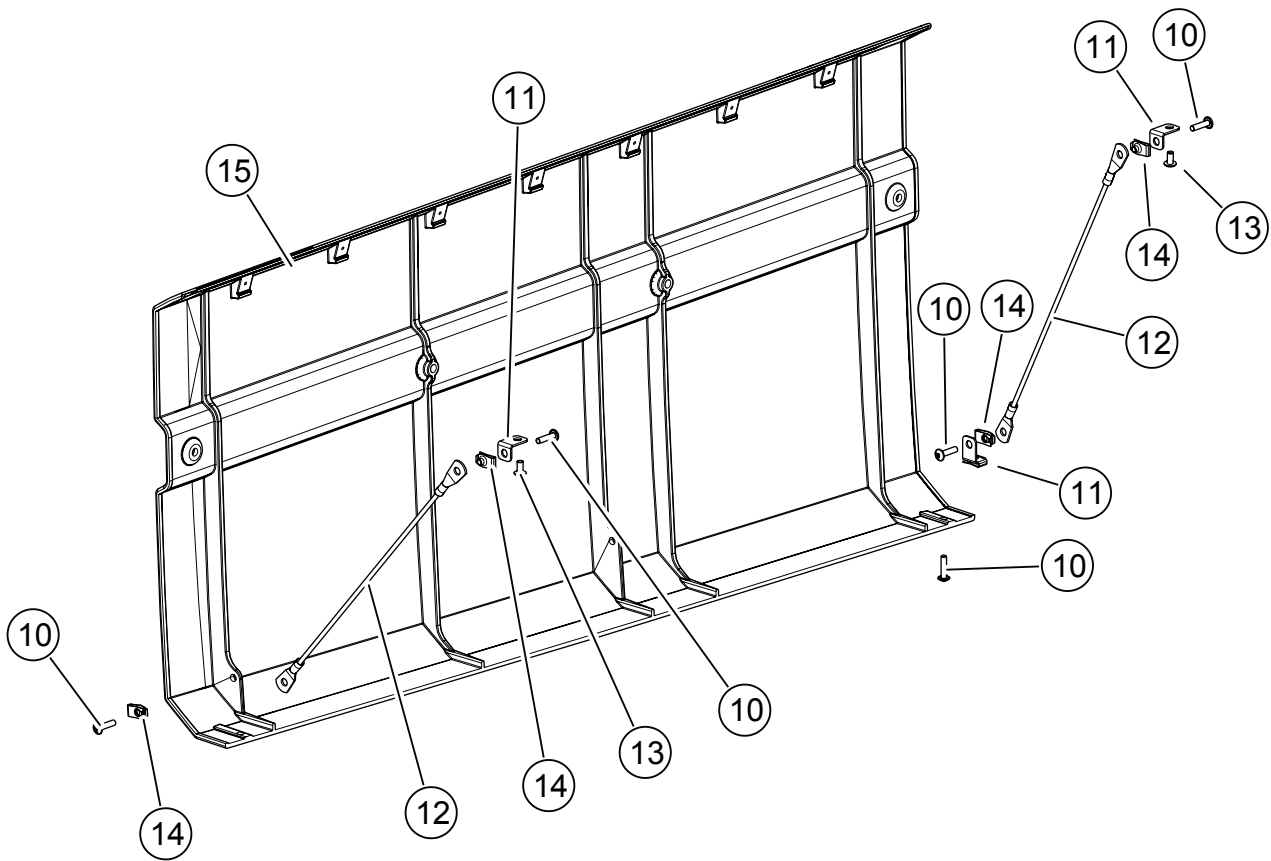
BOM ID	Part Number	Description
0	REFERENCE	64431107-HEG00b EXT CLADDING IN MOLD GREY 14'
10	06937748	CLADDING PLATE REAR
11	06935337	BRACKET SIDE CLADDING
12	06933743	BKT REAR WHEEL CLADDING SIDE
13	REFERENCE	64430024-G0000 CLADDING FILL DOOR ASSEMBLY GREY
14	20511462-G0000	CLADDING ASM REAR HEADER GREY
15	64431077-GH00R	CLADDING RH RR POST REINF GRAY
16	64431076-GH00L	CLADDING LH RR POST REINF GREY
17	20512538-G000L	CLADDING RR POST LH LWR GRY NTCH
18	20512538-G000R	CLADDING RR POST RH LWR GRY NTCH
19	20511461-G138L	CLADDING ASM REAR SIDE GREY LH 13'8"
20	20511461-G138R	CLADDING ASM REAR SIDE GREY RH 13'8"
21	20511408-G000L	CLADDING REAR WHEEL LH GREY
22	20511408-G000R	CLADDING REAR WHEEL RH GREY
23	20511459-G151L	CLADDING ASM FRT SIDE LH GREY 151WB
24	20511459-G151R	CLADDING ASM FRT SIDE RH GREY 151WB

Cladding

Braces

64431104

Shown from underneath.



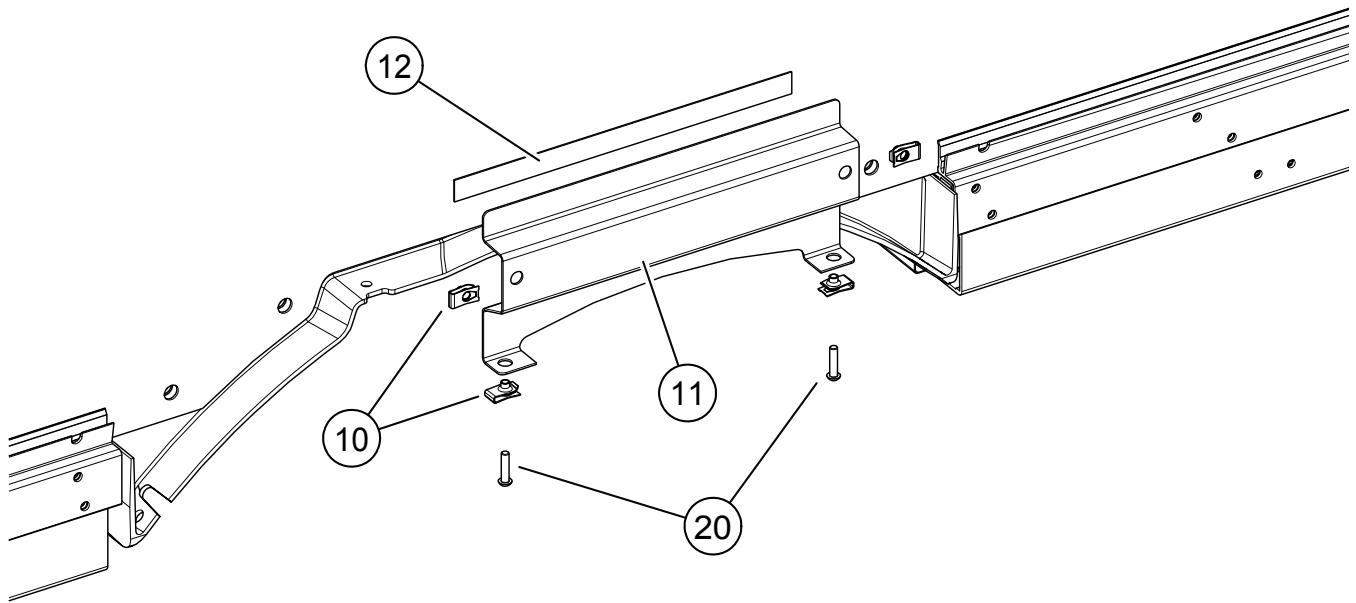
BOM ID	Part Number	Description
0	REFERENCE	64431104b PENCIL BRACES
10	UT02-BB1-004	SCREW BT FLG SOCK M6-1.0 X 25 SS PCH
11	22826949	BRACKET PENCIL BRACE
12	20512782	BRACE SHORT PENCIL
13	11400023	MAG-L PRO 1/4 STL .080-.375G ZN
14	11601215	U-NUT M6-1.0 .8-2.5G
15	REFERENCE	CLADDING

Cladding

Brackets

64431074-00001

Sidewall not shown for clarity.

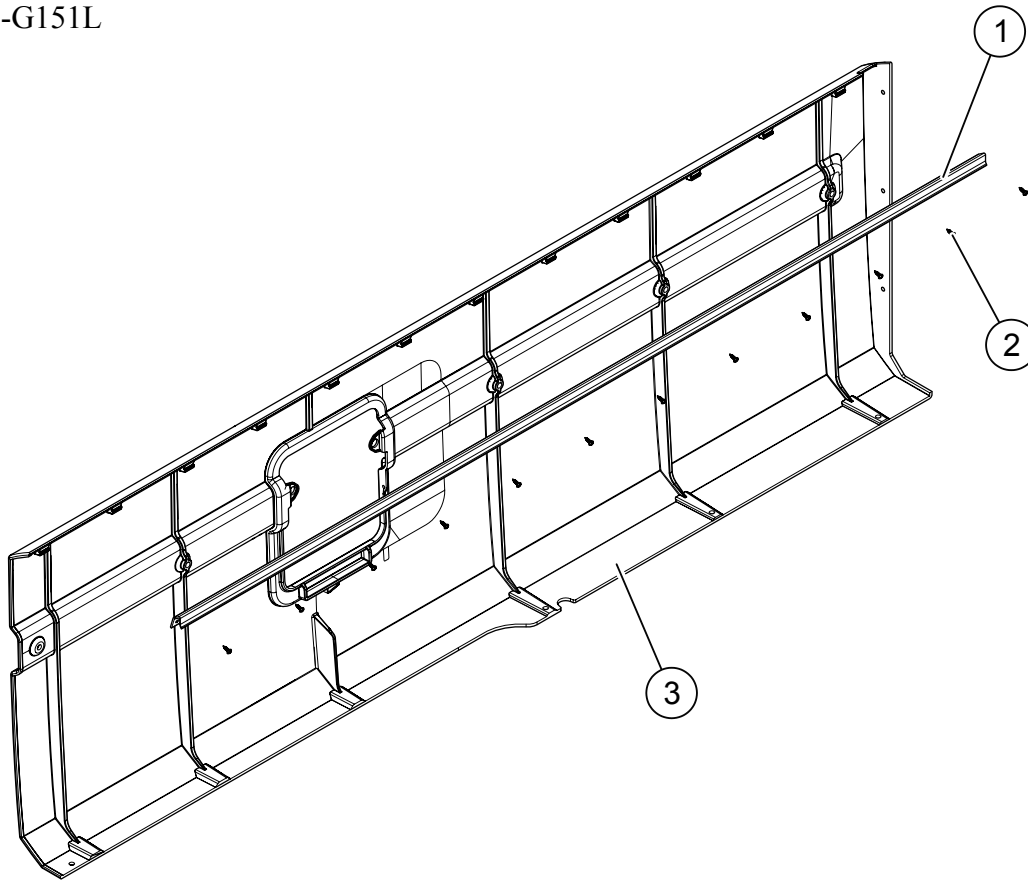


BOM ID	Part Number	Description	Qty
0	REFERENCE	64431074-00001b CLADDING BRKTS WW	
10	11601215	U-NUT M6-1.0 .8-2.5G	4
11	06933746	BRACKET REAR WHEEL CLADDING TOP	1
12	12606136	TAPE 3/4" VHB	1
20	UT02-BB1-001	SCREW BT FLG SOCK M6-1.0 X 25 SS BLK	2

Cladding

Side Panels
Driver's Side
20511459-G151L

Shown from underneath.



BOM ID	Part Number	Description
0	REFERENCE	20511459-G151Le CLADDING FRT SIDE LH GREY 151WB
1	06937801	ANGLE CLADDING EXT 19.00
2	11601260-01Z08D	SCREW #8 x 1/2 ZN PAN COMB DRIVE
3	20511406-G151L	CLADDING FRONT SIDE LH GREY 151WB

Paint code references for cladding:

GRAY: Sherwin-Williams IMC Grey 37305

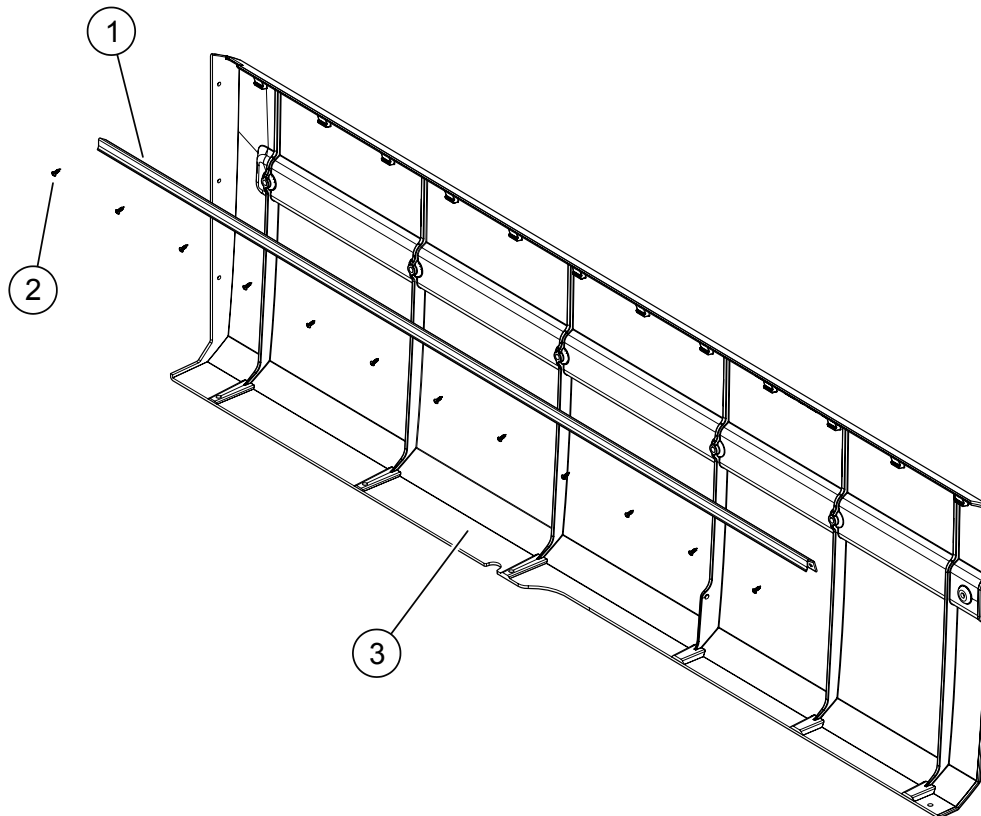
WHITE: Sherwin-Williams White G2N77175

or DuPont Imron White P7241HNN

Cladding

Side Panels
Passenger's Side
20511459-G151R

Shown from underneath.



BOM ID	Part Number	Description
0	REFERENCE	20511459-G151Re CLADDING ASM FRT SIDE RH GREY 151WB
1	06937801	ANGLE CLADDING EXT 19.00
2	11601260-01Z08D	SCREW #8 x 1/2 ZN PAN COMB DRIVE
3	20511406-G151R	CLADDING FRONT SIDE RH GREY 151WB

Paint code references for cladding:

GRAY: Sherwin-Williams IMC Grey 37305

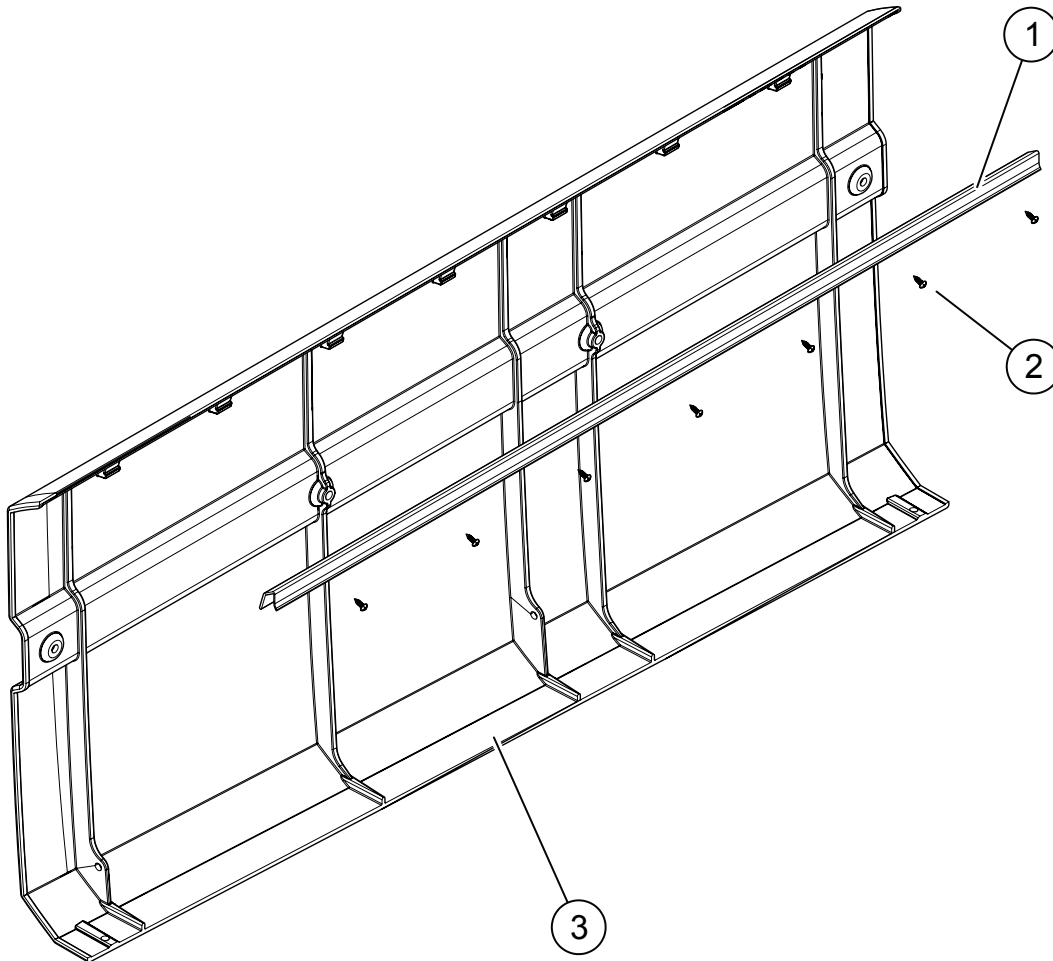
WHITE: Sherwin-Williams White G2N77175

or DuPont Imron White P7241HNN

Cladding

Side Panels
Driver's Side Rear
20511461-G138L

Shown from underneath.



BOM ID	Part Number	Description
0	REFERENCE	20511461-G138Le CLADDING REAR SIDE GREY LH
1	06937801	ANGLE CLADDING EXT 19.00
2	11601260-01Z08D	SCREW #8 x 1/2 ZN PAN COMB DRIVE
3	20511409-G138L	CLADDING REAR SIDE LH GREY 14

Paint code references for cladding:

GRAY: Sherwin-Williams IMC Grey 37305

WHITE: Sherwin-Williams White G2N77175

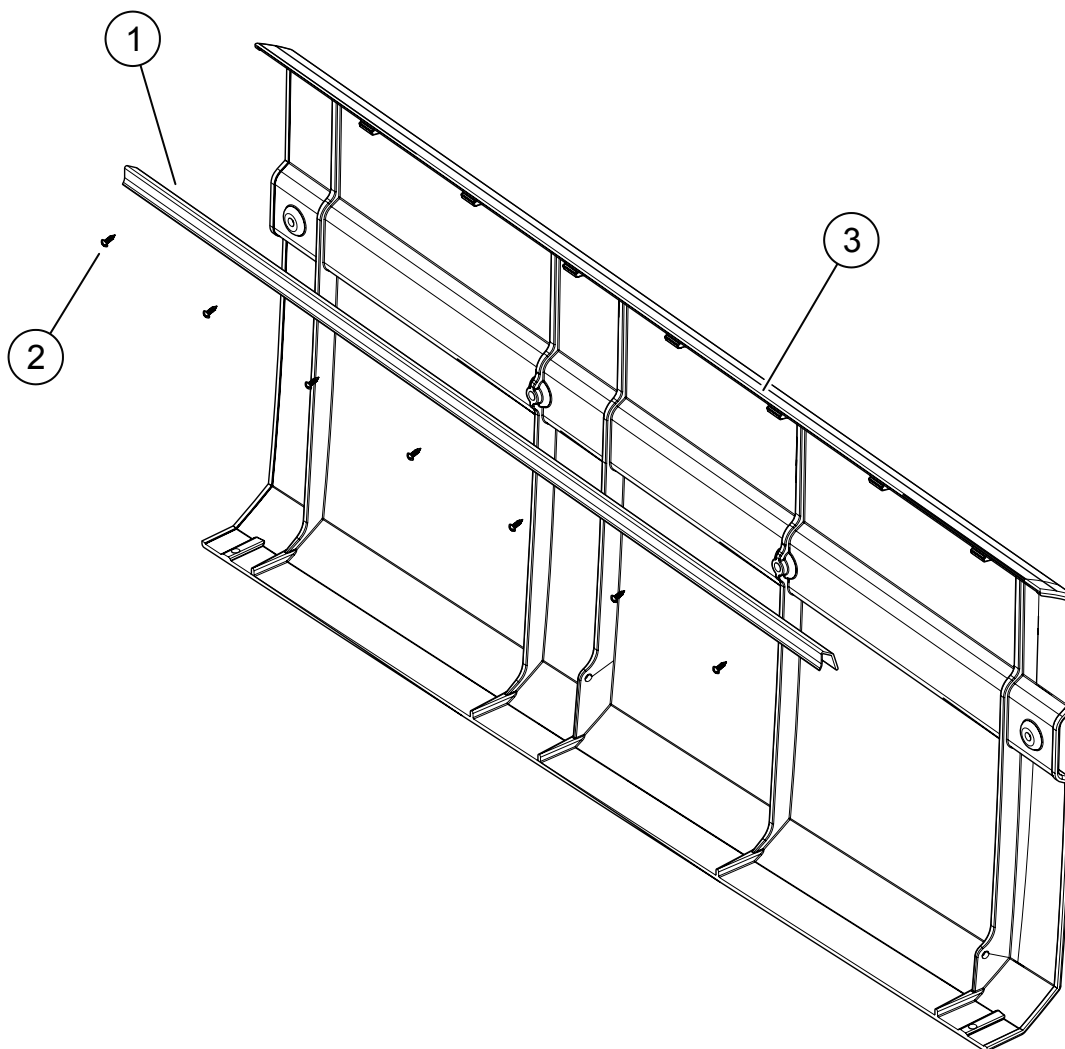
or DuPont Imron White P7241HNH

Cladding

Side Panels Passenger's Side Rear

20511461-G138R

Shown from underneath.



BOM ID	Part Number	Description
0	REFERENCE	20511461-G138Re CLADDING REAR SIDE GREY RH
1	06937801	ANGLE CLADDING EXT 19.00
2	11601260-01Z08D	SCREW #8 x 1/2 ZN PAN COMB DRIVE
3	20511409-G138R	CLADDING REAR SIDE RH GREY 14

Paint code references for cladding:

GRAY: Sherwin-Williams IMC Grey 37305

WHITE: Sherwin-Williams White G2N77175

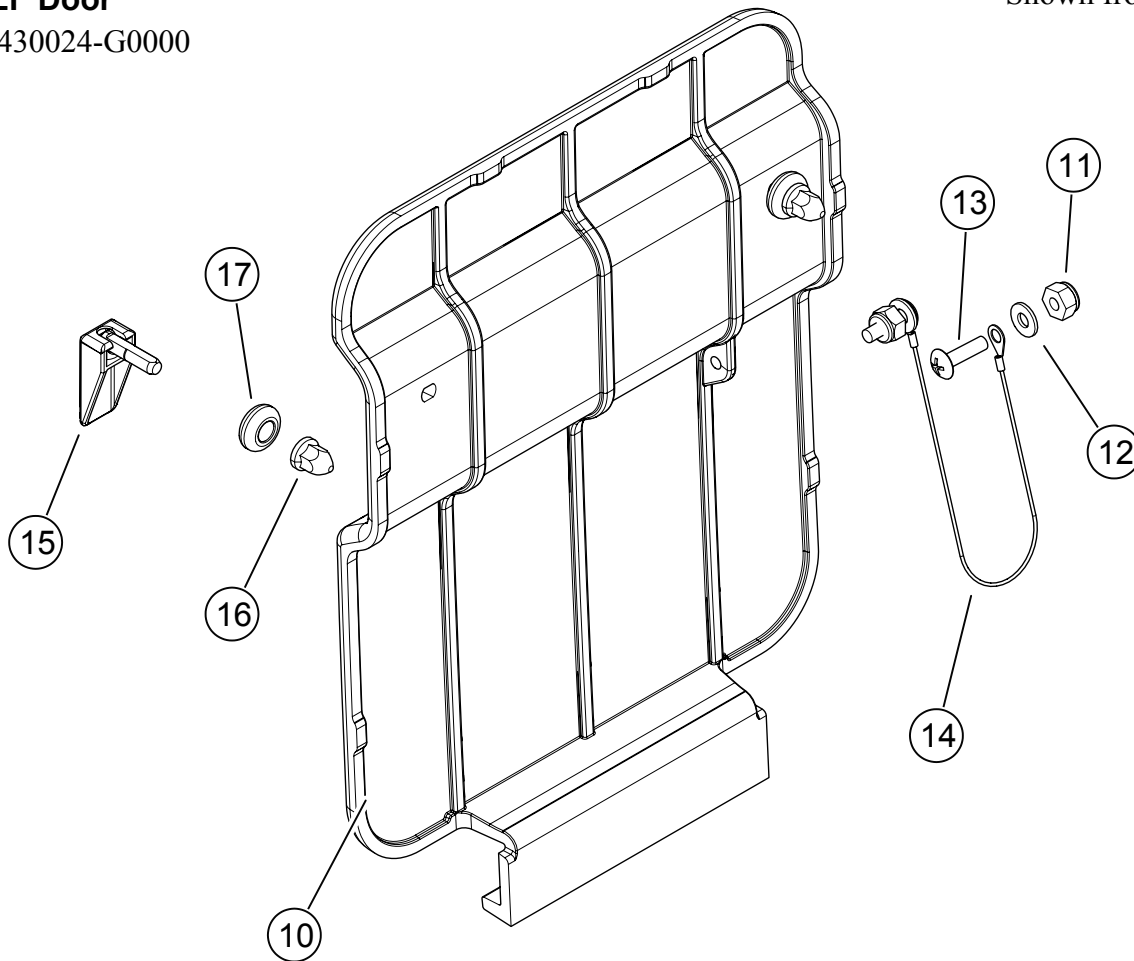
or DuPont Imron White P7241HNH

Cladding

DEF Door

64430024-G0000

Shown from back side.



BOM ID	Part Number	Description	Qty
0	REFERENCE	64430024-G0000j CLADDING DEF DOOR GREY	
10	20511407-G0000	CLADDING FILL DOOR GREY	1
11	11600678	NUT 10-24 SS NYLOCK	2
12	11008411	WASHER FLAT #10	2
13	11300241	SCREW 10-24 x .75	2
14	08613490	LANYARD EYE-TO-EYE 8" WIRE #10 STUD	1
14_KIT	08613490SK	LANYARD KIT WITH FASTENERS	AR
15	11601178	LATCH STEPWELL	2
16	REFERENCE	ACORN NUT PART OF 11601178	
17	REFERENCE	BUSHING PART OF 11601178	

Paint code references for cladding:

GRAY: Sherwin-Williams IMC Grey 37305

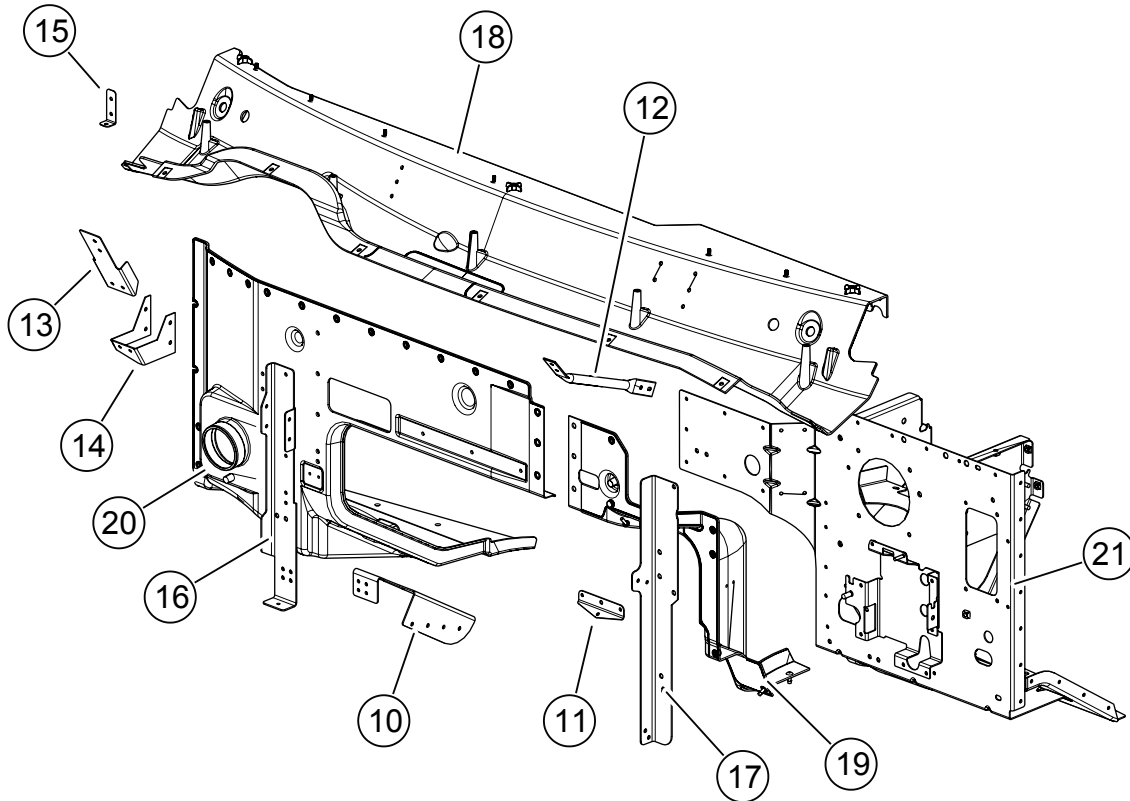
WHITE: Sherwin-Williams White G2N77175

or DuPont Imron White P7241HNN

Cowl Panels

54431075-00001

Shown from engine side.

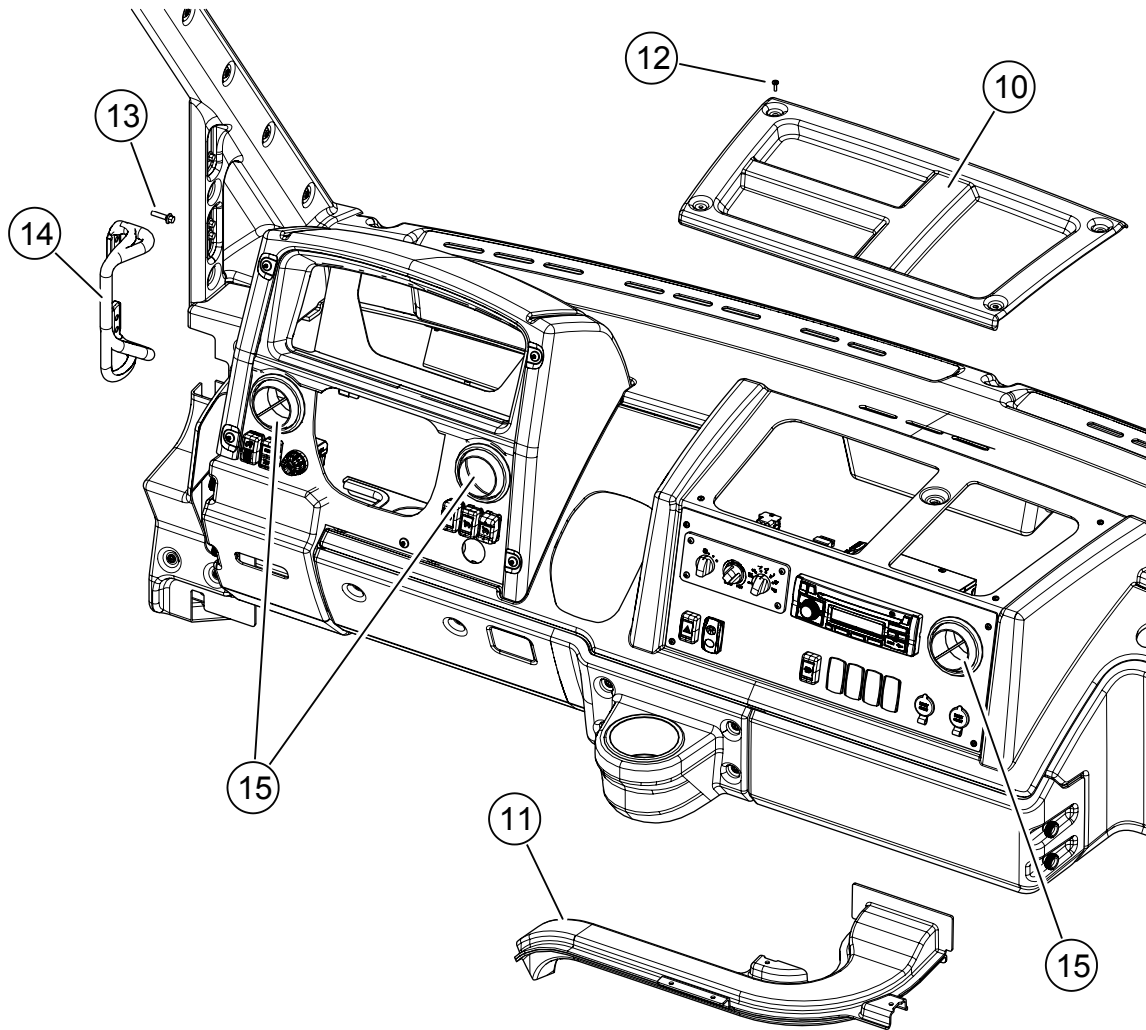


BOM ID	Part Number	Description
0	REFERENCE	54431075-00001a DASH & COWL INSTALL
10	22826002	BRACKET DASH SUPPORT
11	22824826	BRACKET HEATER HOSE TO COWL
12	22822302	SUPPORT COWL UPPER
13	22822303	SUPPORT COWL UPPER RH
14	22822777	SUPPORT LOWER COWL RH
15	22824789	BRKT AC HOSE
16	22822288	SUPPORT DASH RH
17	22822287	SUPPORT DASH LH
18	20511209	COWL ASY UPPER
19	20511288	PANEL DASH CENTER
20	20511289	PANEL DASH RH
21	REFERENCE	DRIVERS ISLAND ISUZU

Dash

Assembly

54431069-00001

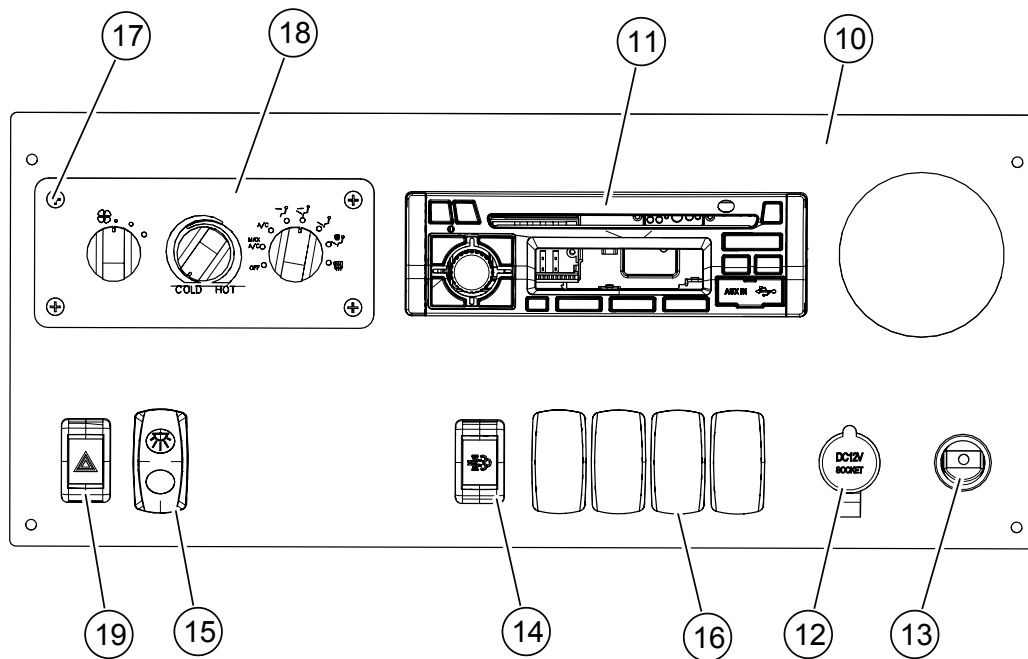


BOM ID	Part Number	Description
0	REFERENCE	54431069-00001a DASH ASSEMBLY STD
10	20511440-00001	TRIM PANEL ICS PENCIL TRAY STD
11	07206342	FOOT DUCT
12	11601198-04S12	SCREW PNH PHL M4-0.7 X 12 BO
13	UT29-BB1-004	BOLT M6-1.00 x 25 FLG G8.8 BZ PTCH
14	06935383	GRAB HANDLE LH CAB
15	17990611	HEATER LOUVER

Dash

Convenience Panel

54431071-120100

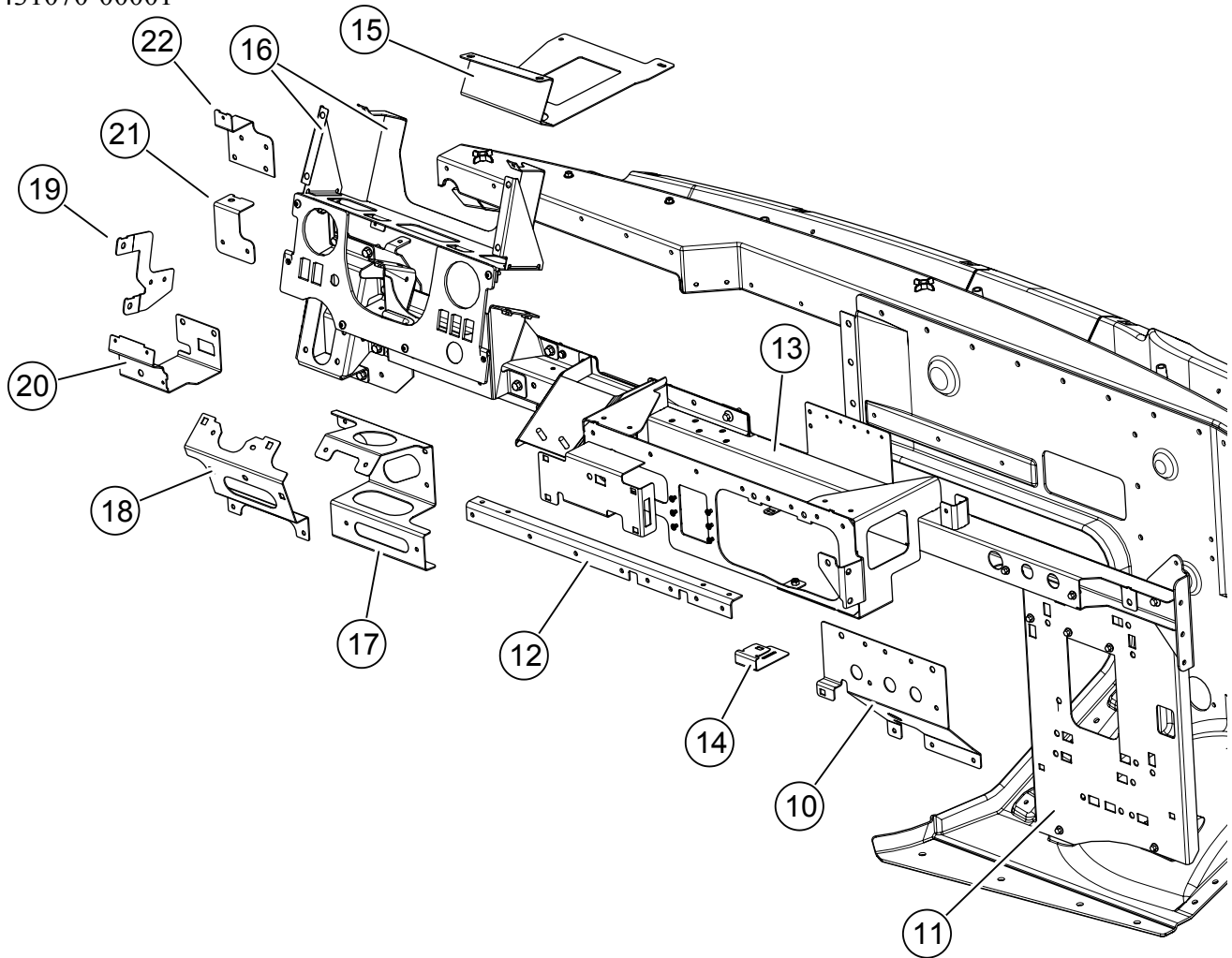


BOM ID	Part Number	Description	Qty
0	REFERENCE	54431071-120100a DRVRS CTRLS PNL W/DIN 2AUX RGN	
10	22824796-120100	PLATE TRIM W/DIN 2AUX RGN	1
11	16516531-00001	STEREO JENSEN AM/FM	1
11_NS	22825910	BRACKET RADIO SUPPORT	1
12	16511905	COVER LIGHTER	2
13	15105930	LIGHTER WELL "A" 12V	2
14	REFERENCE	SWITCH DPD	
15	16515097	SWITCH DOME	1
16	16514845	SWITCH HOLE PLUG	4
17	08063PSTG	SCREW #8 x 5/8 PAN PHIL SHT MTL BL OX	4
17_NS	11601220	U-NUT #8-SHT MTL .037-.081G SS	1
18	07206367	CONTROL HEAD A/C	1
19	REFERENCE	SWITCH HAZARD LIGHTS	
19_NS	06935360	SHIM SWITCH	1

Dash

Structure

54431070-00001



BOM ID	Part Number	Description
0	REFERENCE	54431070-00001b ASSY IP DRIVER CONTROLS STR
10	22825925	BRACKET WASHER FLUID SUPPORT
11	22825924	BRACKET WASHER FLUID BOTTLE
12	22826229	SUPPORT FRONT PLATE CENTER
13	22825847	CONSOLE WELDMENT CENTER
14	22823215	BRACKET FUSE BOX RETAINER
15	22825941	BRACKET DEFROSTER
16	22825846	CONSOLE WELDMENT DRIVER
17	22824895	BRACKET IP SWITCHES DRIVER
18	22825926	BRACKET IP SWITCHES
19	22823189	BRACKET BRAKE RESERVOIR COVER
20	22825223	BRACKET HOOD RELEASE STANDARD
21	22823186	BRKT PARK BRAKE COVER UPR
22	22823187	BRACKET PARK BRAKE COVER
NS_1	05302302	TRIM LOK BLK 1/8"W/ALUM INST

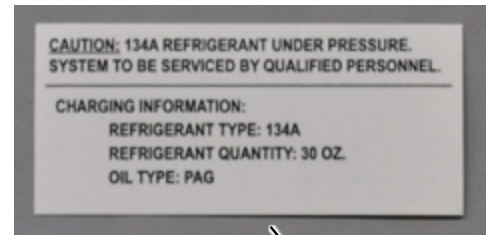
Decals

Standard

03103417



10



30



20

EMPTY	PWR WDO	EMPTY	EMPTY
F4	F3	F2	F1
	15A		
ROOF ACCY SW	POWER SEAT	O/H ACCY SW	BIJ MON-RADIO
F8	F7	F6	F5
15A	15A	15A	10A
HVAC A/C	HVAC MAIN	WIPERS	EMPTY
F12	F11	F10	F9
20A	20A	30A*	

*TYPE 1 CIRCUIT BREAKERS (PIN: 03104445)

40

BOM ID	Part Number	Description	Qty
0	REFERENCE	01303417 DECALS INTERIOR	
10	03103417	DECAL REACH LEFT	1
20	03103418	DECAL REACH RIGHT	1
30	03103430	REFRIGERANT CHARGING LABEL	1
40	03104445	DECAL FUSE PANEL STD REACH	1

Decals

Standard

65431016



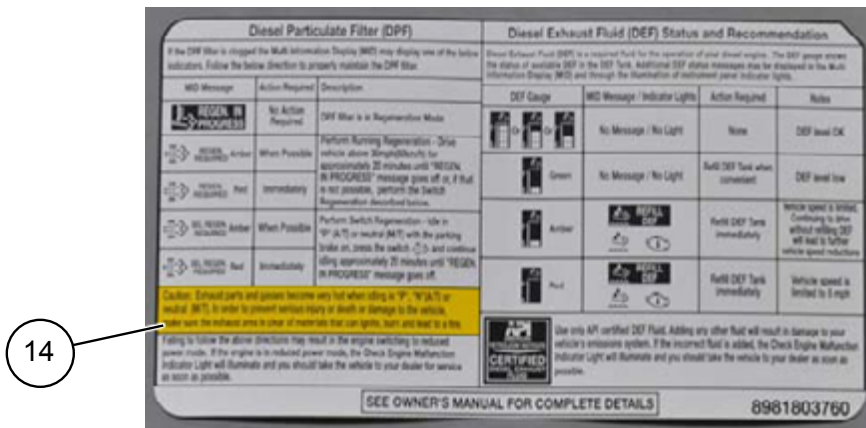
10

TYPE 1 (CIRCUIT BREAKERS) PN: 0310445	F12	HVAC A/C	F8	ROOF ACCY SW	F4	EMPTY	
	20A						
	F11	HVAC MAIN	F7	POWER SEAT	15A	F3	PWR WDO
	F10	WIPERS	F6	O/H ACCY SW	F2	EMPTY	
	30A*		F5	B/U MON-RADIO	F1	EMPTY	
F9	EMPTY	10A					

11

TYPE 2 (CIRCUIT BREAKERS) PN: 0310446	F12	HVAC A/C	F8	EMPTY	15A	F4	KYLS SYS
	20A						
	F11	HVAC MAIN	F7	POWER SEAT	F3	EMPTY	
	F10	WIPERS	F6	EMPTY	F2	EMPTY	
	30A*		F5	B/U MON-RADIO	F1	EMPTY	
F9	EMPTY	10A					

12



14

BOM ID	Part Number	Description
0	REFERENCE	65431016 DECAL CAB INT
10	8981099890	LABEL FUSE BLK CAUTION
11	03104445	DECAL FUSE PNL STD
12	03104446	DECAL FUSE PNL PARCEL
13	8981803760	CAUTION PLATE DPD

Decals

Hood

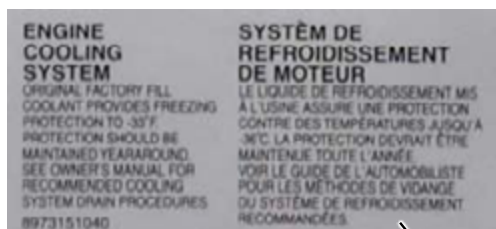
65430009



10



20



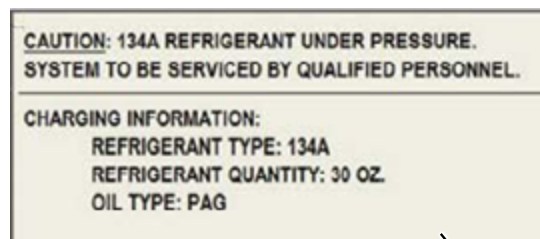
30



50



40



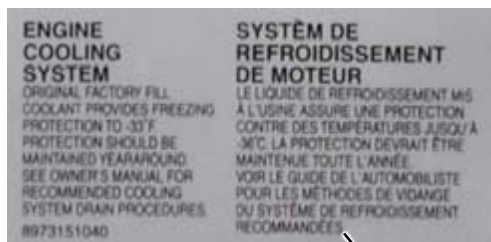
45

BOM ID	Part Number	Description
0	REFERENCE	65430009 DECALS UNDER HOOD
10	8973829321	LABEL ENG START FLUID NTC
20	8973656031	LABEL TRLR TOW CAUTION
30	8973151040	LABEL ENG CLG SYS
40	8973151090	LABEL FAN BLADE CAUTION
45	03103430	REFRIGERANT CHARGING LABEL
50	03104447	LABEL SECURE HOOD PROP ROD

Decals

Chassis

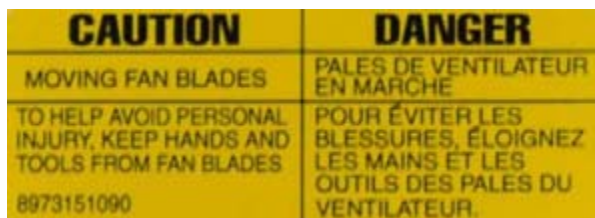
8981803760



10



11



12



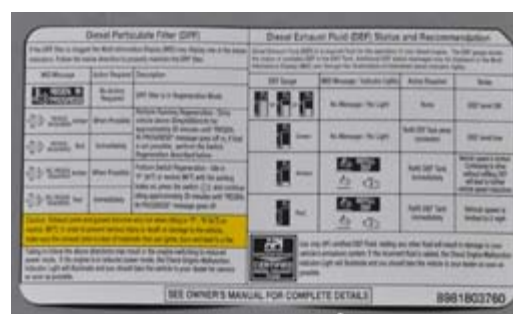
14



15



16



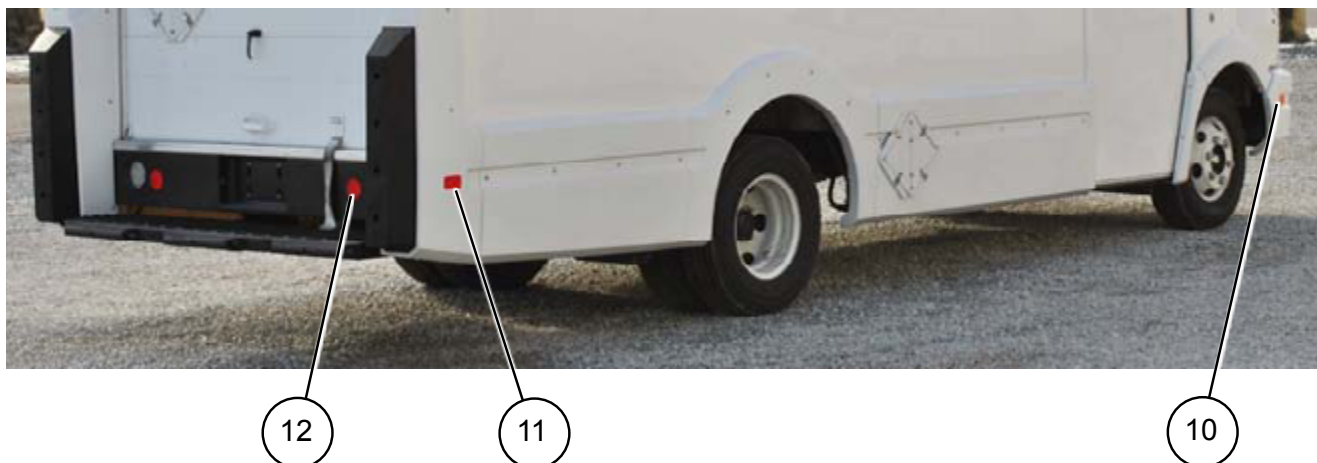
17

BOM ID	Part Number	Description
0	REFERENCE	8973151040 DECALS CHASSIS
10	8973151040	LABEL ENGINE COOLING SYSTEM
11	8980675160	LABEL TRANSMISSION FLUID FILTER
12	8973151090	LABEL FAN BLADE CAUTION
14	8981099890	LABEL FUSE BLACK CAUTION
15	8973656031	LABEL TRLR TOW CAUTION
16	8973829321	LABEL ENG START FLUID NTC
17	8981803760	CAUTION PLATE DPD

Decals

Exterior

65430007

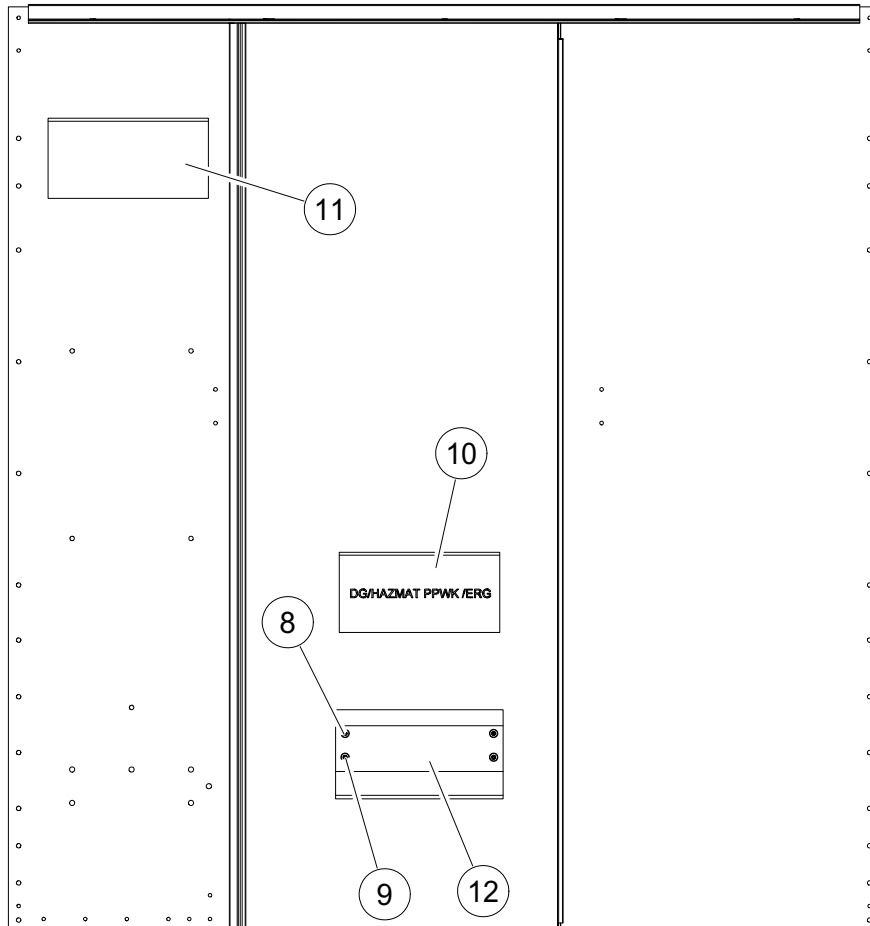


BOM ID	Part Number	Description	Qty
0	REFERENCE	65430007 DECAL REFLECTORS	
10	16515002	REFLECTOR AMBER 2 x 3.5	2
11	15200498	REFLECTOR RED TAPE RECT	2
12	16200034	REFLECTOR RED TAPE ROUND	2

Document Holders

Bulkhead

64430031

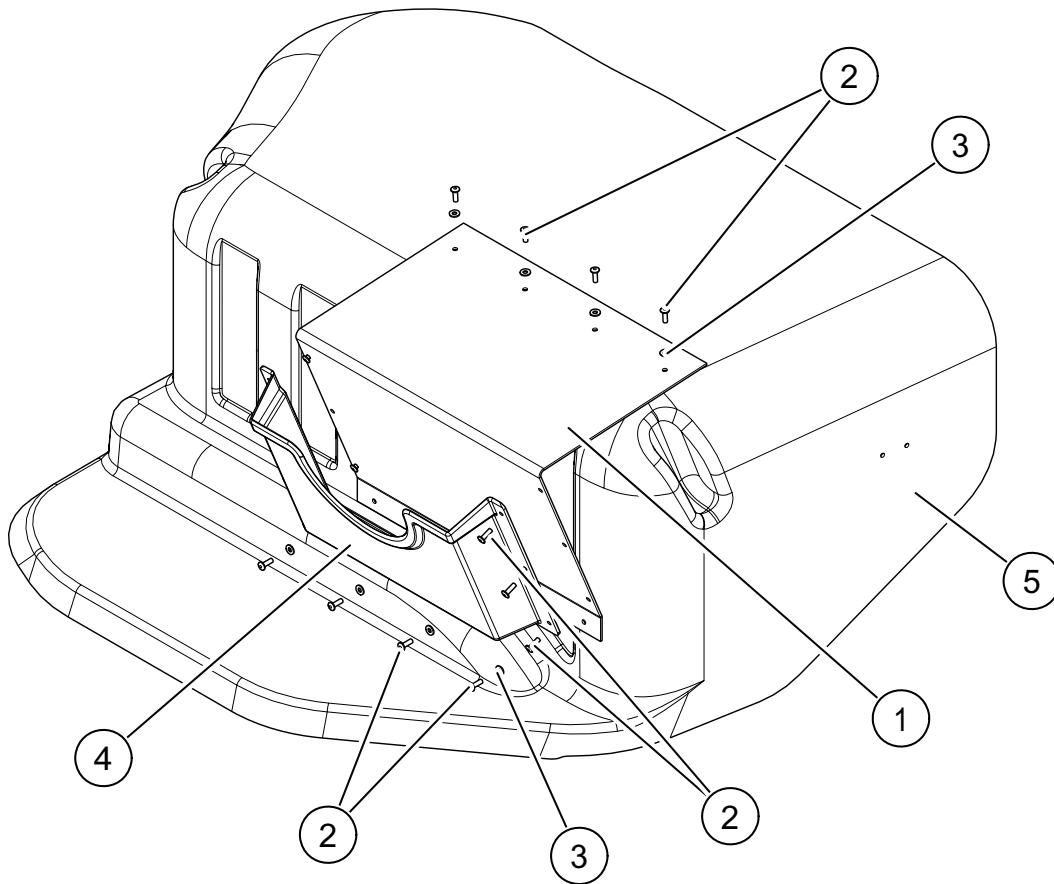


BOM ID	Part Number	Description	Qty
0	REFERENCE	64430031a DOCUMENT POUCH INSTALL	1
8	11403990	PIN MAGNA-GRIP (ALUM)	12
9	11600720	HUCK MAGNA GRIP COLLAR	12
10	13672573	POUCH HAZARDOUS GOODS	1
11	13672574	POUCH DOCUMENT HOLDER	1
12	13672575	POUCH VIR	1

Document Holders

Engine Cover

64430030

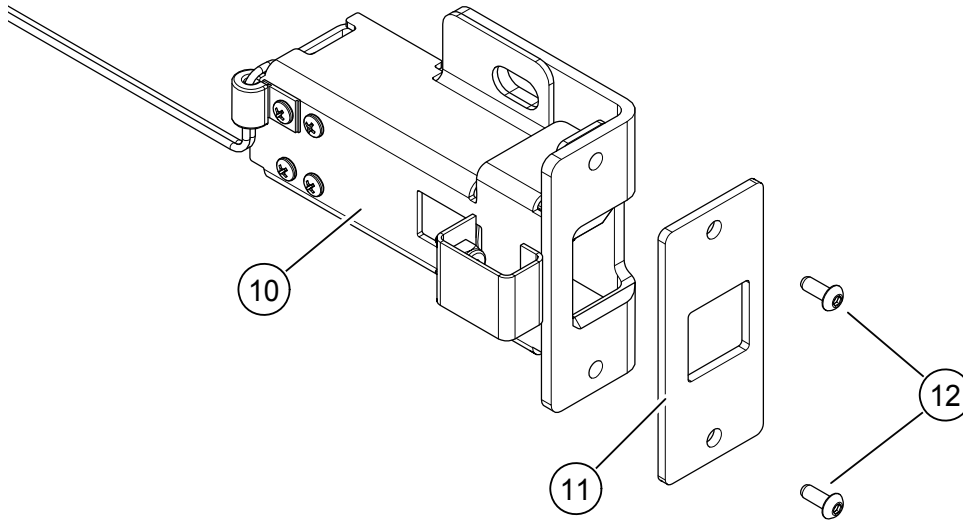


BOM ID	Part Number	Description	Qty
0	REFERENCE	64430030a HOLDER DOCUMENT INSTALL	1
1	06935731	BRACKET DOCUMENT HOLDER	1
2	11600217	MAGNA-LOC 3/16 ALUM	14
3	11600627	WASHER #8 FLAT ZC	8
4	20511101	HOLDER DOCUMENT	1
5	REFERENCE	ENGINE COVER	1

Doors, Cab Slider

Secondary Catch Plate

57431037



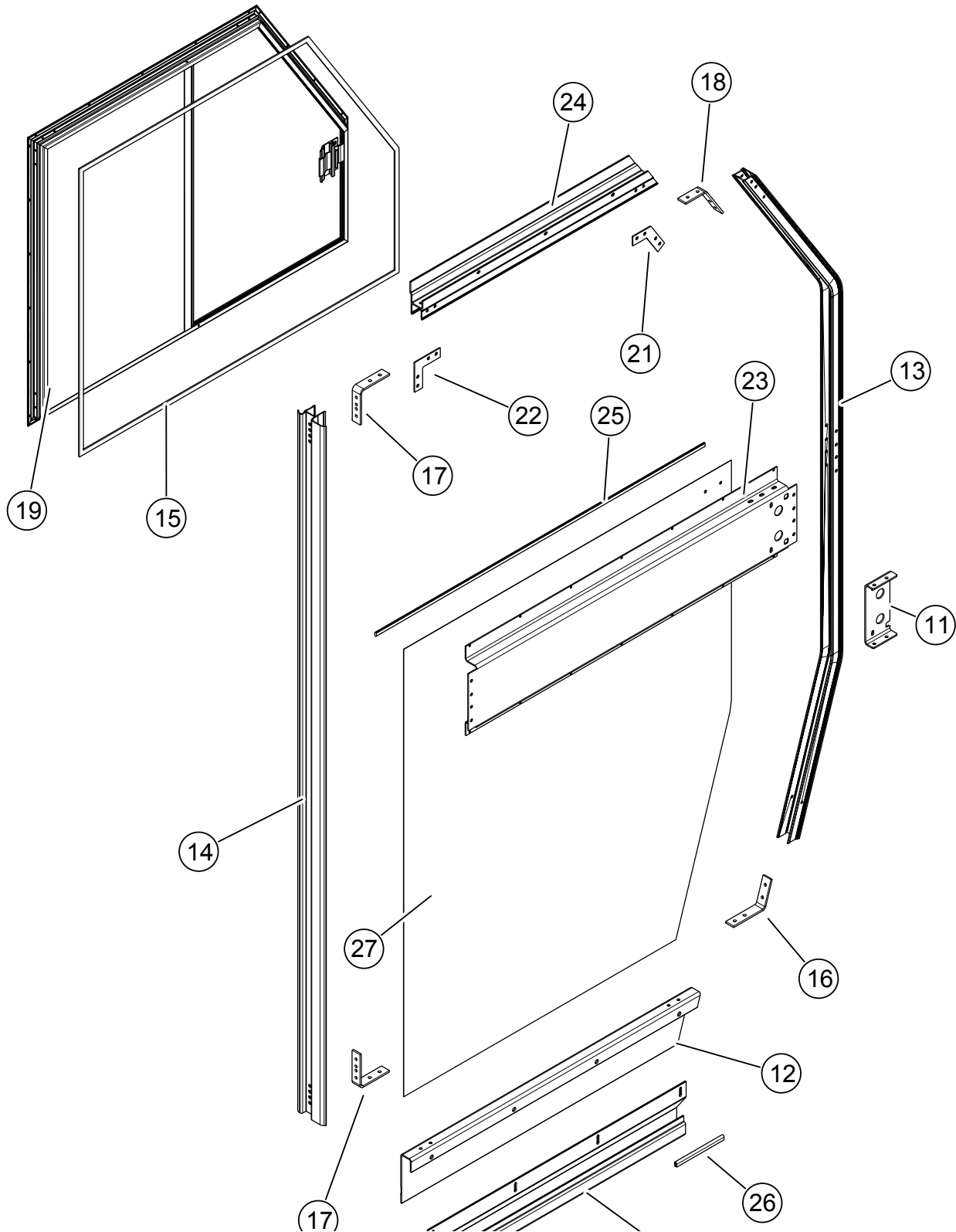
BOM ID	Part Number	Description	Qty
0	REFERENCE	57431037a SECONDARY CATCH PLATE	
10	REFERENCE	LATCH DOOR KYLS	
11	22825270	PLATE SECONDARY CATCH	1
12	11602310	BUTTON HD CAP SCR 10-24 X 1/2 ZN GR 8	2

Doors, Cab Slider

Driver's Side Assembly

Viewed from inside.

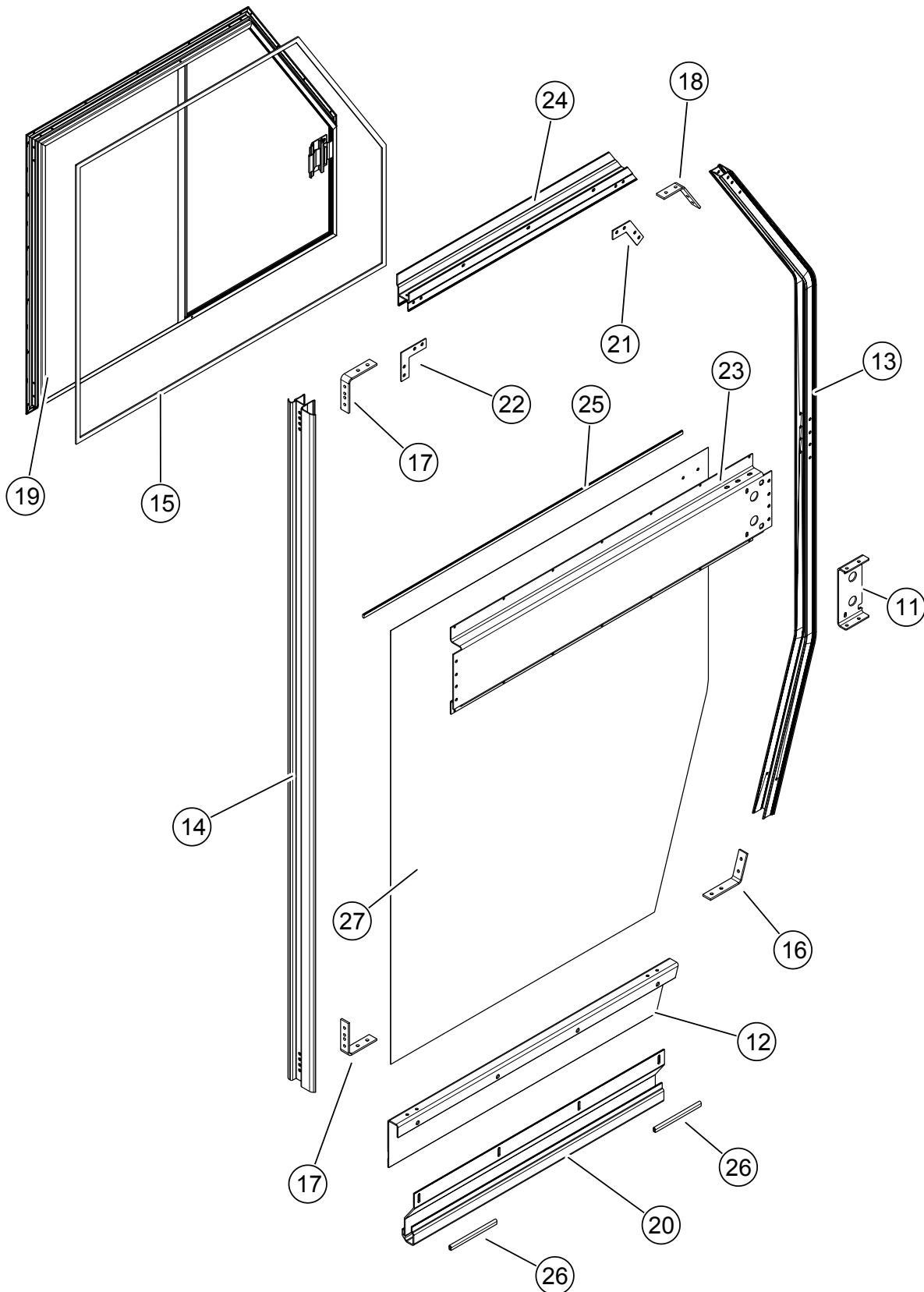
Order part number 57431040-000UW for the complete assembly.



Doors, Cab Slider

Driver's Side Assembly

Order part number 57431040-000UW for the complete assembly.



Doors, Cab Slider

Driver's Side Assembly

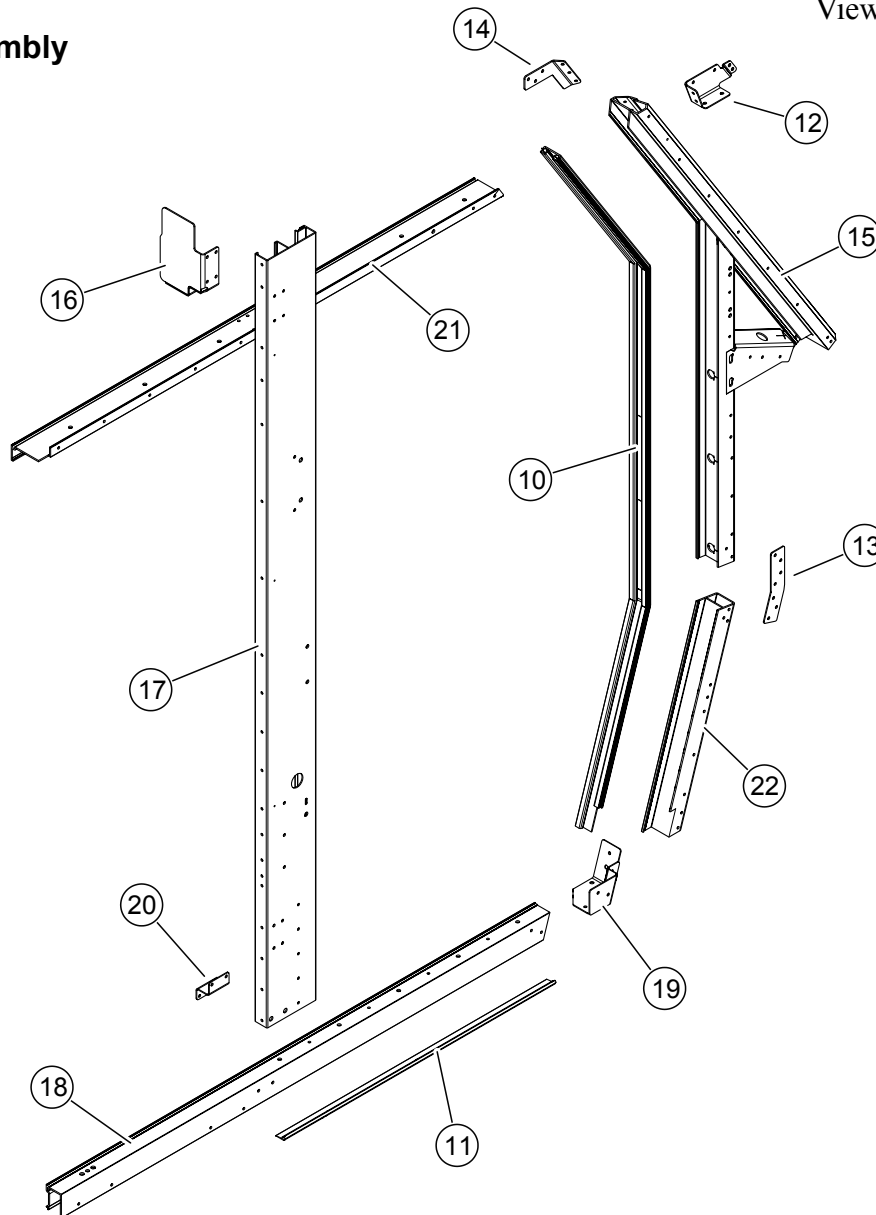
Order part number 57431040-000UW for the complete assembly.

BOM ID	Part Number	Description
0	57431040-000UWc	57431040-000UWc DOOR ASM CAB LH SLIDER
11	22825907	REINFORCEMENT CHANNEL
12	06938808-L0000U	FRAME DOOR LOWER LH
13	06938815-A00000	FRONT DOOR PILLART OUTER LH/RH
14	06938811	DOOR SEAL/FRAME OUTER REAR
15	12605908	TAPE FOAM BLACK FIRM 1/8 x 3/4 x 75' ROLL
16	22825721	BRKT DOOR SUPPORT BOTTOM FRONT
17	22825720	BRKT DOOR SUPPORT UPR REAR
18	22823382	BRKT DOOR SUPPORT UPR FWD
19	09801833	SLIDER WINDOW LH SIDE SLIDING DR
19 B	08613377	LATCH ONLY SL WDW
20	06938809	GUIDE DOOR LOWER LH/RH
21	06937199-0000U	PLATE DOOR SUP FRT UPR MILL
22	06937198-0000U	PLATE DOOR SUPPORT UPR MILL
23	06935572-0000U	BRACE DOOR MILL
24	06934990-LS000U	HDR DR FRM OUTER LH SLD WDW MILL
25	05706907	SEAL QTR GLASS PROFILE
26	05705740-00600	SEAL SLDG RR LWR DR GUIDE 6.00
27	06937342-L0001	PANEL LH DOOR WHITE .040
NS_1	21313996	DAMPER SELF AHD 20 x 20

Doors, Cab Slider

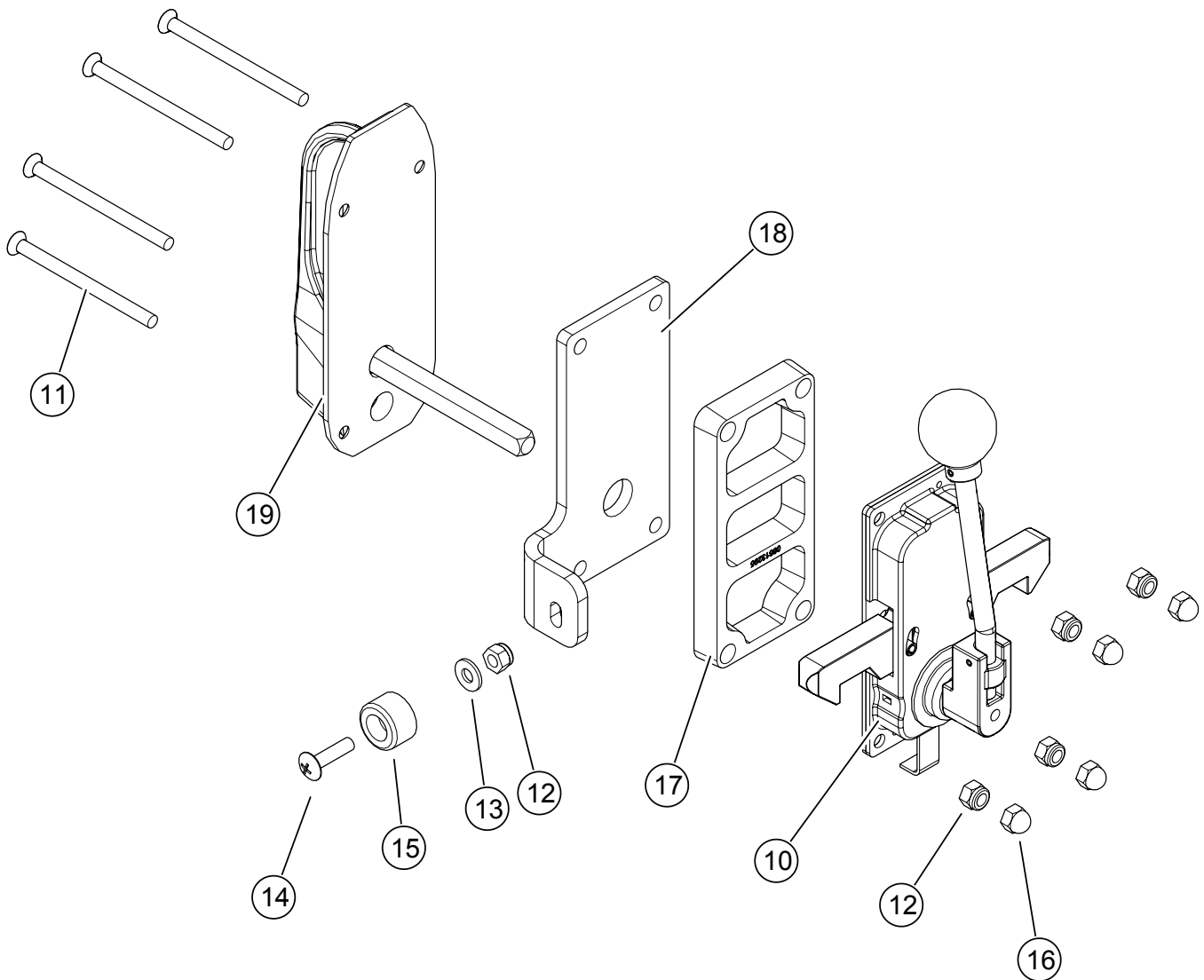
Driver's Side
Door Ring Assembly
 06939138-00001

Viewed from inside.



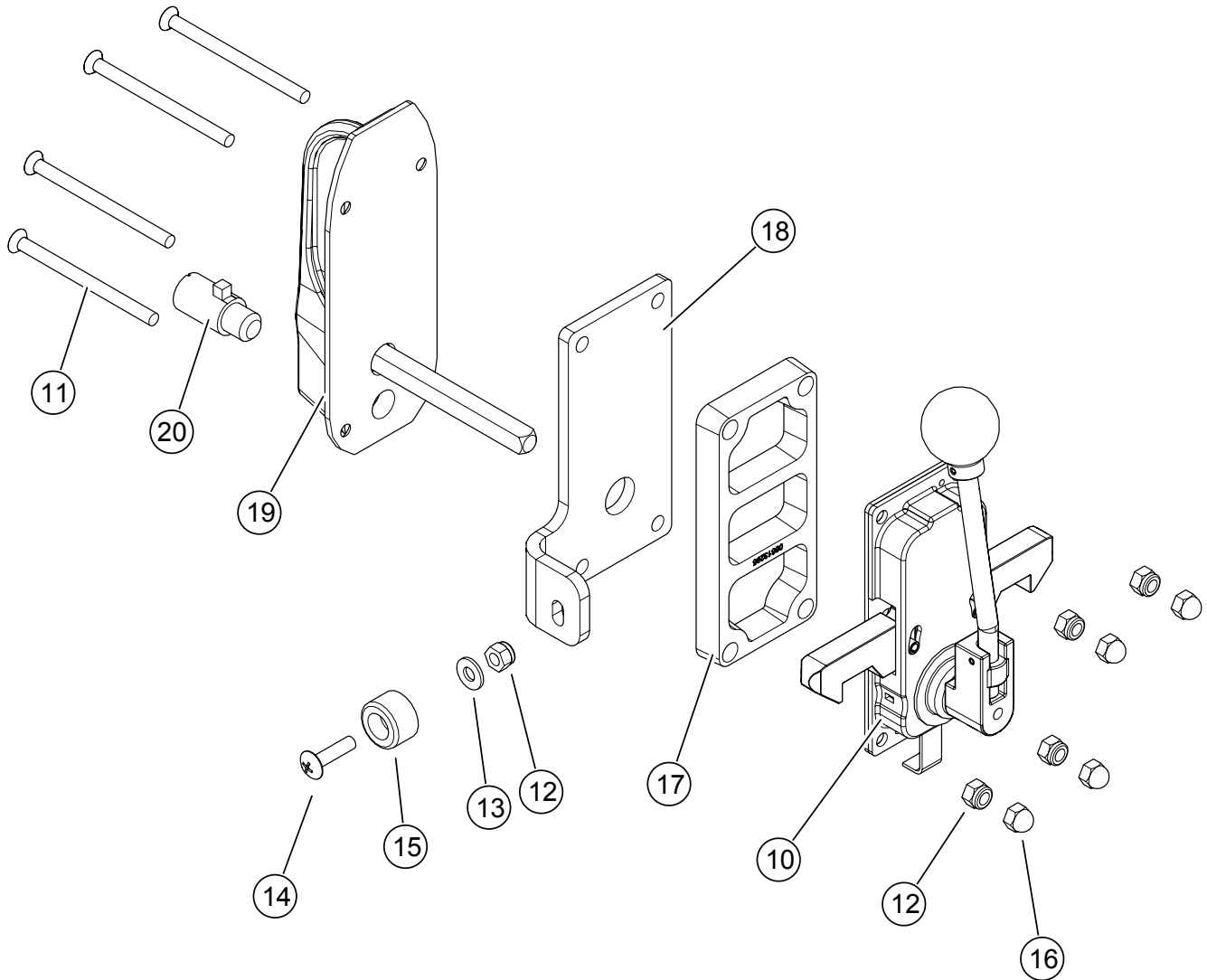
BOM ID	Part Number	Description
0	REFERENCE	06939138-00001b DOOR RING ASSY LH
10	05705827	SEAL A PILLAR PROFILE
11	05705497	SEAL FLOCKED
12	22825832	BRACKET PILLAR TO HDR INSIDE LH
13	22823404	BRACKET QUARTER POST OUTSIDE
14	22825837	BRACKET PILLAR TO HDR OUTSIDE LH
15	06939157	WELDMENT DOOR RING LH
16	06938964	BRKT B PILLAR MOUNT UPPER LH
17	06938958	B PILLAR LH
18	06938920	ROCKER LH
19	06934337	BRACKET ROCKER MNT WLDMT LH
20	06938960	BRACKET B PILLAR MOUNT LOWER
21	06938953	SUPPORT HEADER DOOR LH
22	06938526	QUARTER POST LOWER LH

**Driver's Side
Handles
Non-Lock Chrome**
64431126-LCN



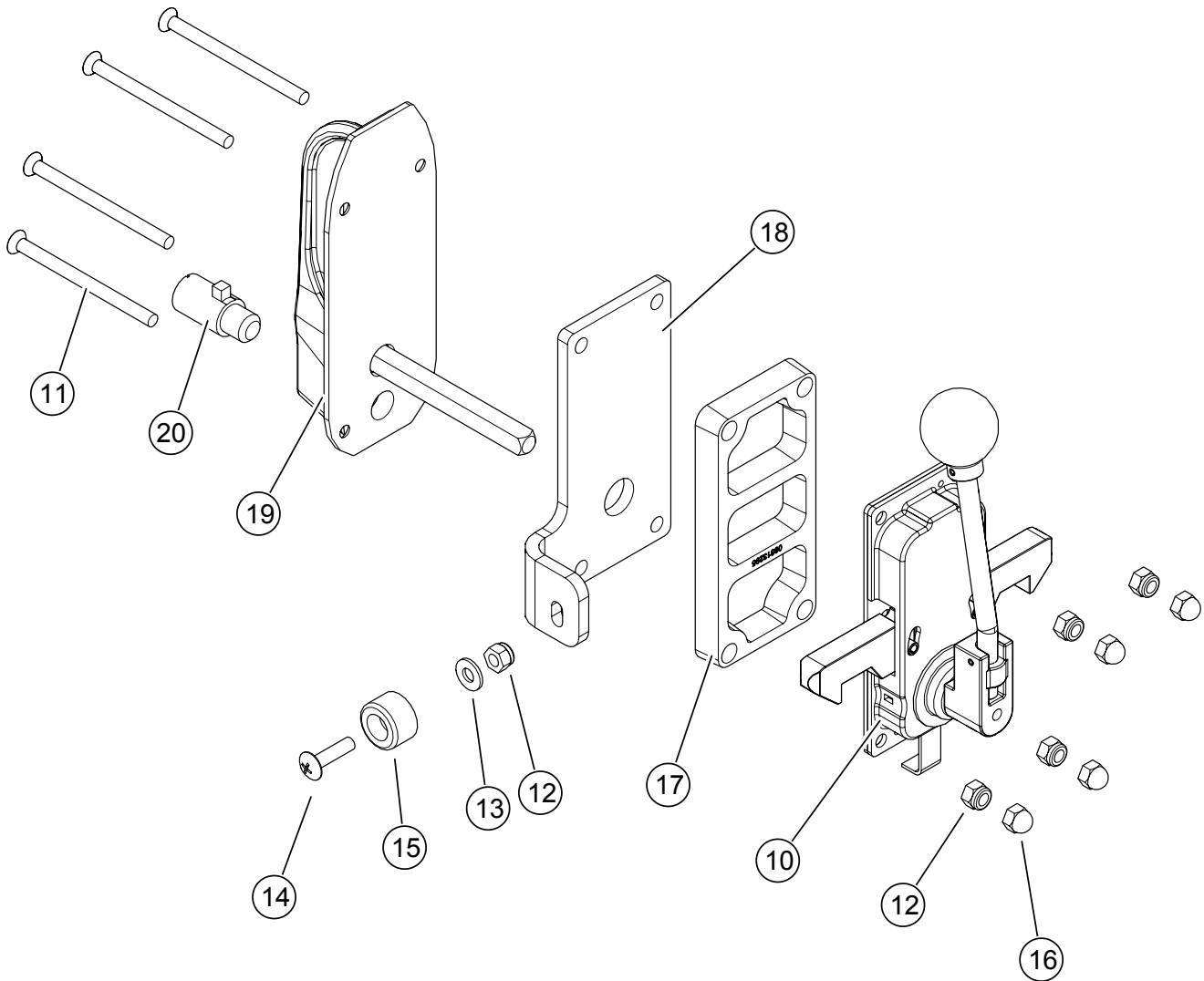
BOM ID	Part Number	Description	Qty
0	REFERENCE	64431126-LCNa HANDLE LH CHROME NON LOCK	
10	08613316	LATCH INTERIOR DOOR	1
11	11601116	SCREW 1/4-20 x 3.50 FLPH BLACK	4
12	11000903	NUT NYLOCK 1/4-20 GR5	5
13	04FWAHNZ	WASHER 1/4 FLAT HRD NRW	1
14	11305103	SCREW 1/4-20 x 1 PHIL TR MS SS	1
15	08210016	STOP RUBBER	1
16	11600732	NUT ACORN 1/4-20 SS	4
17	08613295	SHIM DOOR LATCH PLASTIC	1
18	22822607	BRACKET STOP SHIM LH	1
19	08611861-C310	HANDLE 3/8 x 3.10 CHRNM NON LOCK	1

**Driver's Side
Handles
Push Lock Black**
64431126-LBP



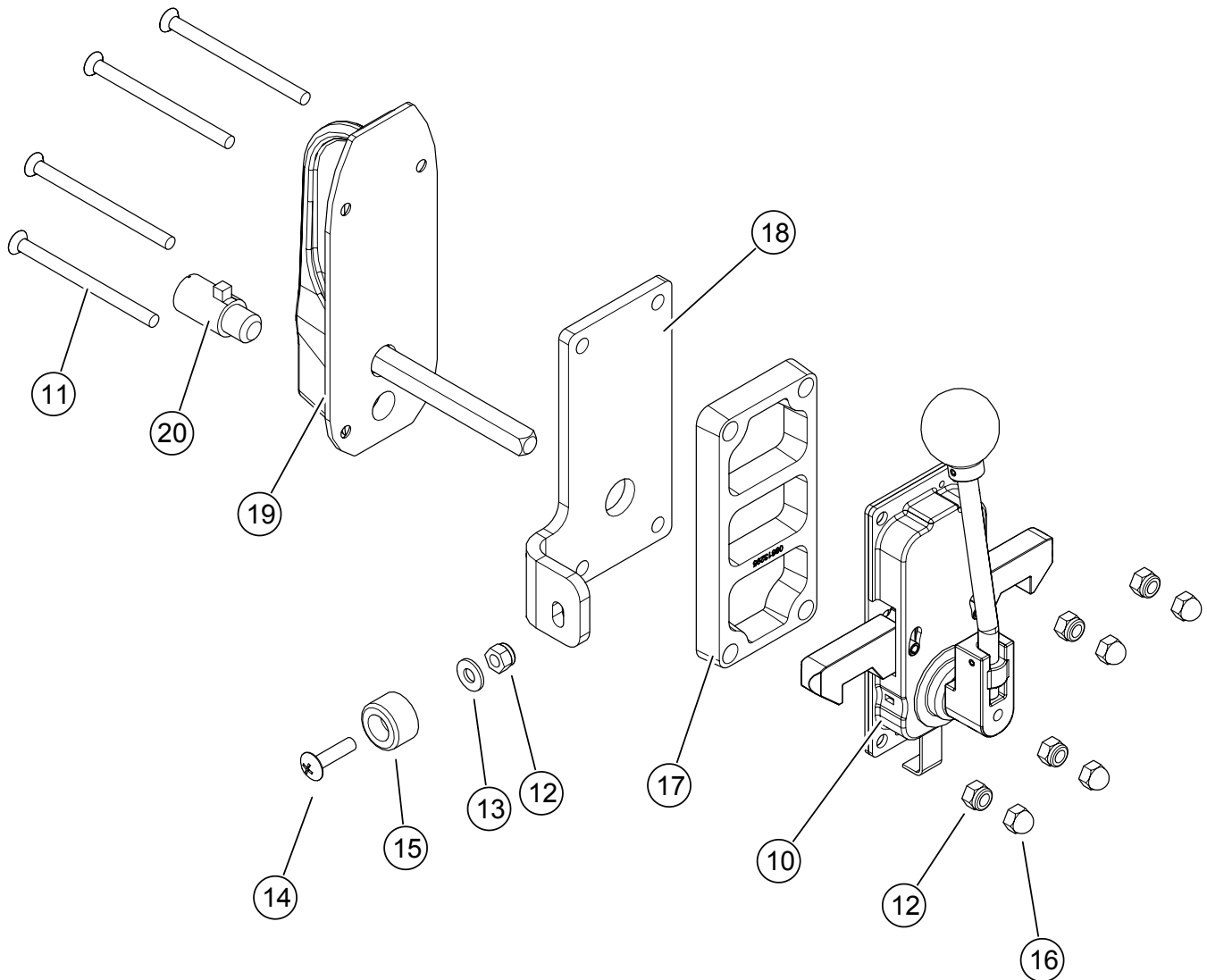
BOM ID	Part Number	Description	Qty
0	REFERENCE	64431126-LBPa HANDLE LH BLACK PUSH LOCK	
10	08613316	LATCH INTERIOR DOOR	1
11	11601116	SCREW 1/4-20 x 3.50 FLPH BLACK	4
12	11000903	NUT NYLOCK 1/4-20 GR5	5
13	04FWAHNZ	WASHER 1/4 FLAT HRD NRW	1
14	11305103	SCREW 1/4-20 x 1 PHIL TR MS SS	1
15	08210016	STOP RUBBER	1
16	11600732	NUT ACORN 1/4-20 SS	4
17	08613295	SHIM DOOR LATCH PLASTIC	1
18	22822607	BRACKET STOP SHIM LH	1
19	08611791-B310	HANDLE 3/8 x 3.10" BLACK	1
20	08611793-0000K	CYLINDER REMV KEY LOCK	1

**Driver's Side
Handles
Push Lock Chrome
64431126-LCP**



BOM ID	Part Number	Description	Qty
0	REFERENCE	64431126-LCPa HANDLE LH CHROME PUSH LOCK	
10	08613316	LATCH INTERIOR DOOR	1
11	11601116	SCREW 1/4-20 x 3.50 FLPH BLACK	4
12	11000903	NUT NYLOCK 1/4-20 GR5	5
13	04FWAHNZ	WASHER 1/4 FLAT HRD NRW	1
14	11305103	SCREW 1/4-20 x 1 PHIL TR MS SS	1
15	08210016	STOP RUBBER	1
16	11600732	NUT ACORN 1/4-20 SS	4
17	08613295	SHIM DOOR LATCH PLASTIC	1
18	22822607	BRACKET STOP SHIM LH	1
19	08611791-C310	HANDLE 3/8 x 3.10" CHROME	1
20	08611793-0000K	CYLINDER REMV KEY LOCK	1

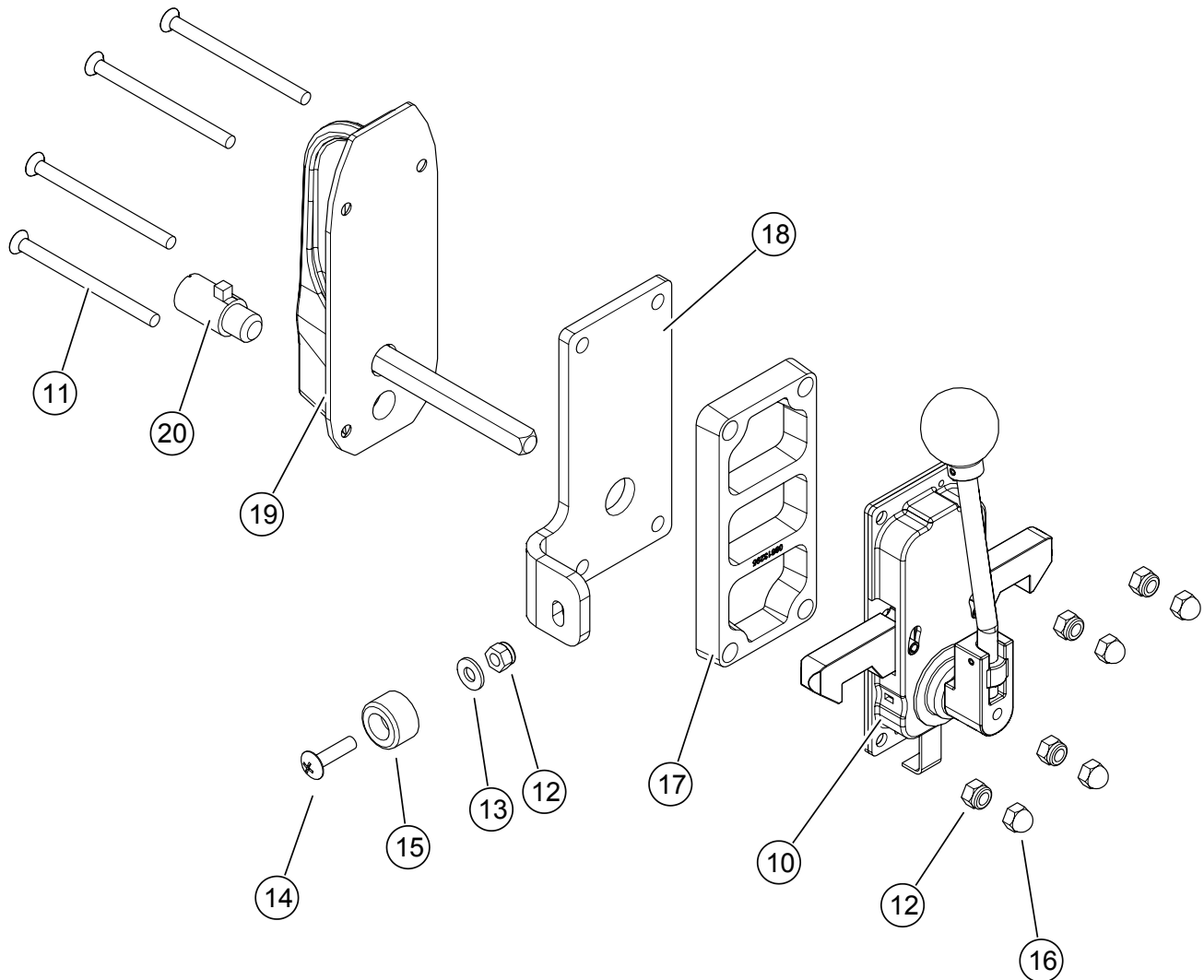
**Driver's Side
Handles
Key Lock Chrome**
64431126-LCK



BOM ID	Part Number	Description	Qty
0	REFERENCE	64431126-LCKa HANDLE LH CHROME KEY LOCK	
10	08613316	LATCH INTERIOR DOOR	1
11	11601116	SCREW 1/4-20 x 3.50 FLPH BLACK	4
12	11000903	NUT NYLOCK 1/4-20 GR5	5
13	04FWAHNZ	WASHER 1/4 FLAT HRD NRW	1
14	11305103	SCREW 1/4-20 x 1 PHIL TR MS SS	1
15	08210016	STOP RUBBER	1
16	11600732	NUT ACORN 1/4-20 SS	4
17	08613295	SHIM DOOR LATCH PLASTIC	1
18	22822607	BRACKET STOP SHIM LH	1
19	08611791-C310	HANDLE 3/8 x 3.10" CHROME	1
20	08611793-0000K	CYLINDER REMV KEY LOCK	1

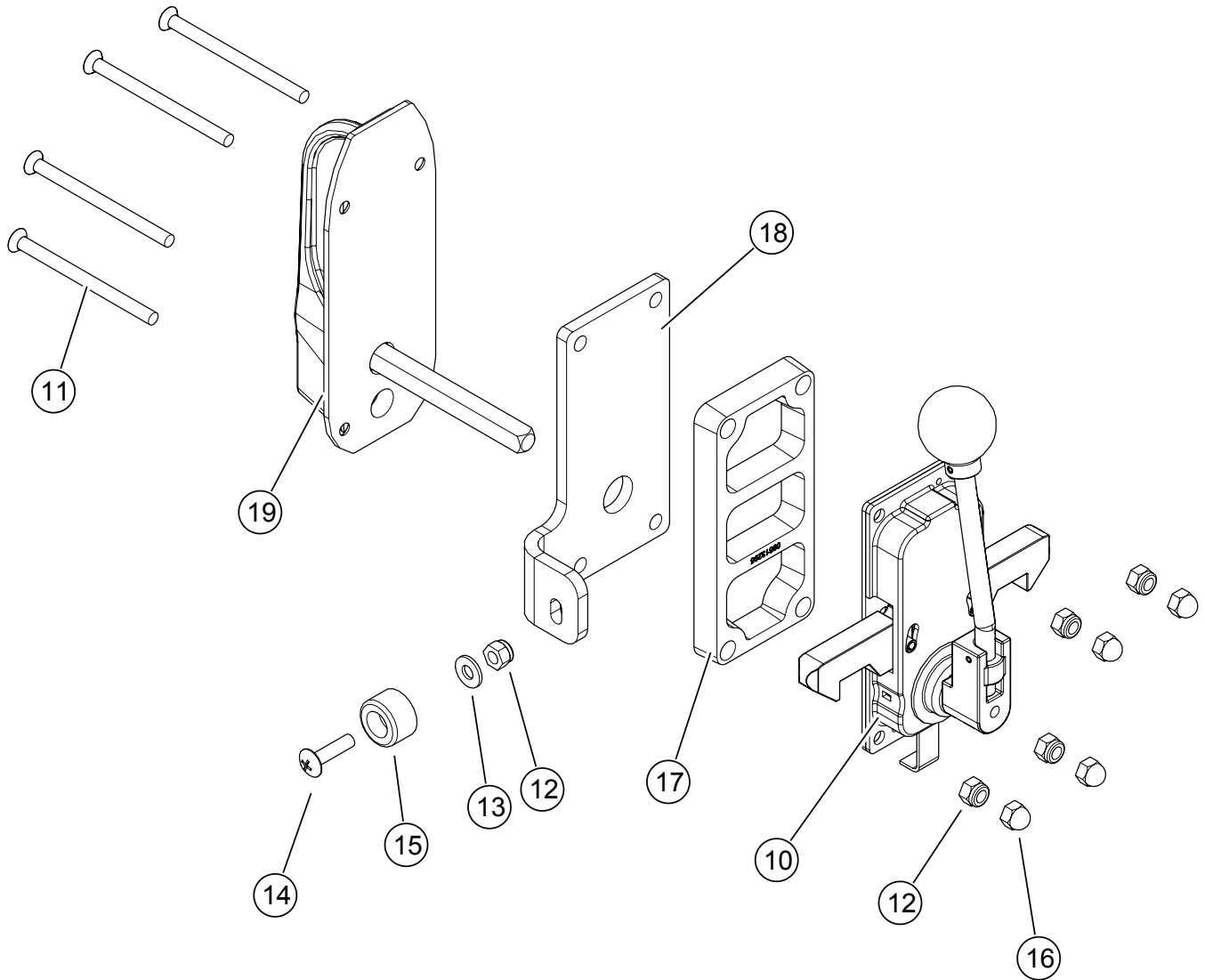
Doors, Cab Slider

Driver's Side
Handles
Key Lock Black
64431126-LBK



BOM ID	Part Number	Description	Qty
0	REFERENCE	64431126-LBKa HANDLE ASY LH BLACK KEY LOCK	
10	08613316	LATCH INTERIOR DOOR	1
11	11601116	SCREW 1/4-20 x 3.50 FLPH BLACK	4
12	11000903	NUT NYLOCK 1/4-20 GR5	5
13	04FWAHNZ	WASHER 1/4 FLAT HRD NRW	1
14	11305103	SCREW 1/4-20 x 1 PHIL TR MS SS	1
15	08210016	STOP RUBBER	1
16	11600732	NUT ACORN 1/4-20 SS	4
17	08613295	SHIM DOOR LATCH PLASTIC	1
18	22822607	BRACKET STOP SHIM LH	1
19	08611791-B310	HANDLE 3/8 x 3.10" BLACK	1
20	08611793-0000K	CYLINDER REMV KEY LOCK	1

**Driver's Side
Handles
Non-Lock Black**
64431126-LBN



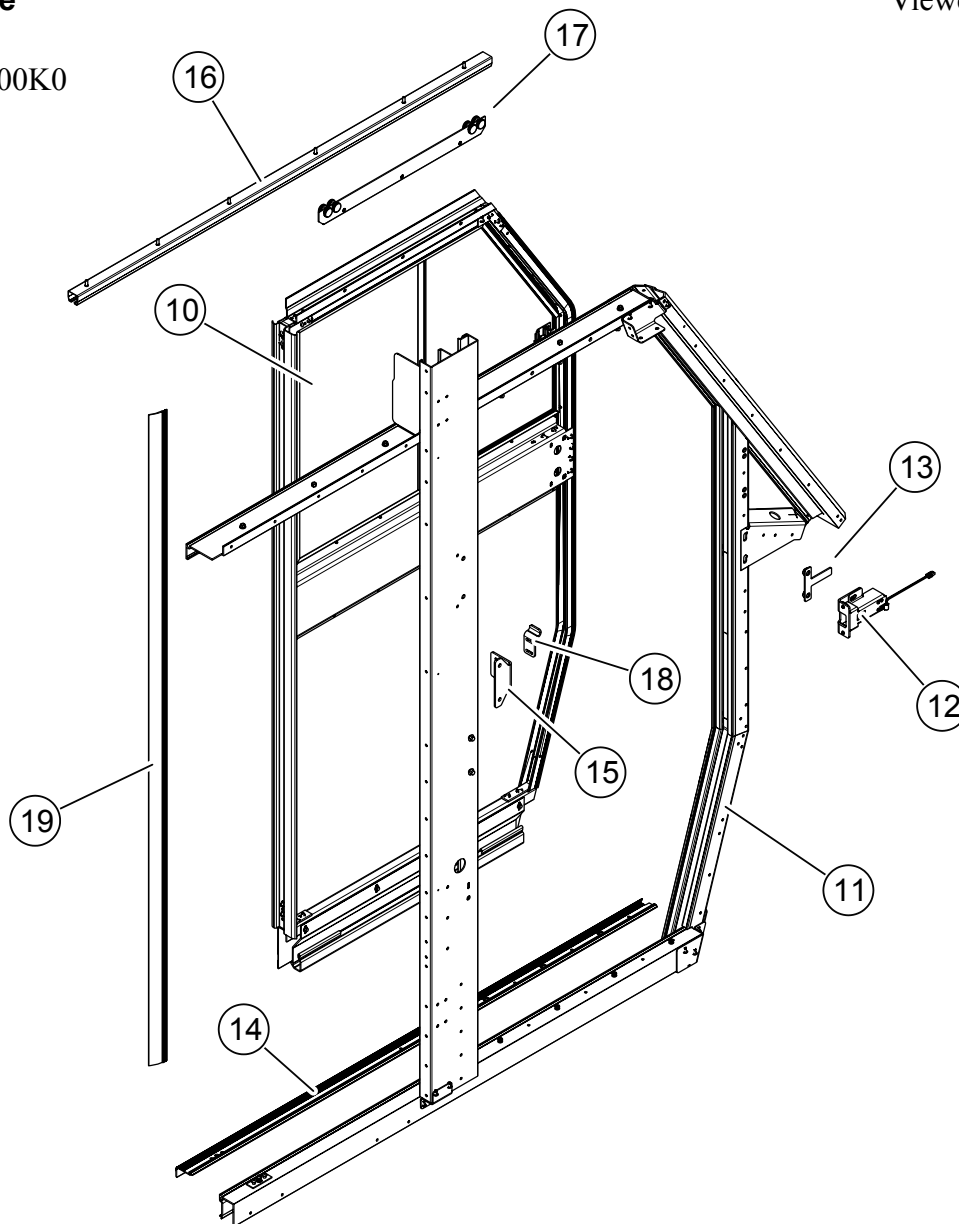
BOM ID	Part Number	Description	Qty
0	REFERENCE	64431126-LBNa HANDLE ASY LH BLACK NON LOCK	
10	08613316	LATCH INTERIOR DOOR	1
11	11601116	SCREW 1/4-20 x 3.50 FLPH BLACK	4
12	11000903	NUT NYLOCK 1/4-20 GR5	5
13	04FWAHNZ	WASHER 1/4 FLAT HRD NRW	1
14	11305103	SCREW 1/4-20 x 1 PHIL TR MS SS	1
15	08210016	STOP RUBBER	1
16	11600732	NUT ACORN 1/4-20 SS	4
17	08613295	SHIM DOOR LATCH PLASTIC	1
18	22822607	BRACKET STOP SHIM LH	1
19	08611861-B310	HANDLE 3/8 x 3.10 BLACK NON LOCK	1

Doors, Cab Slider

Driver's Side Installation

57431042-L000K0

Viewed from inside.



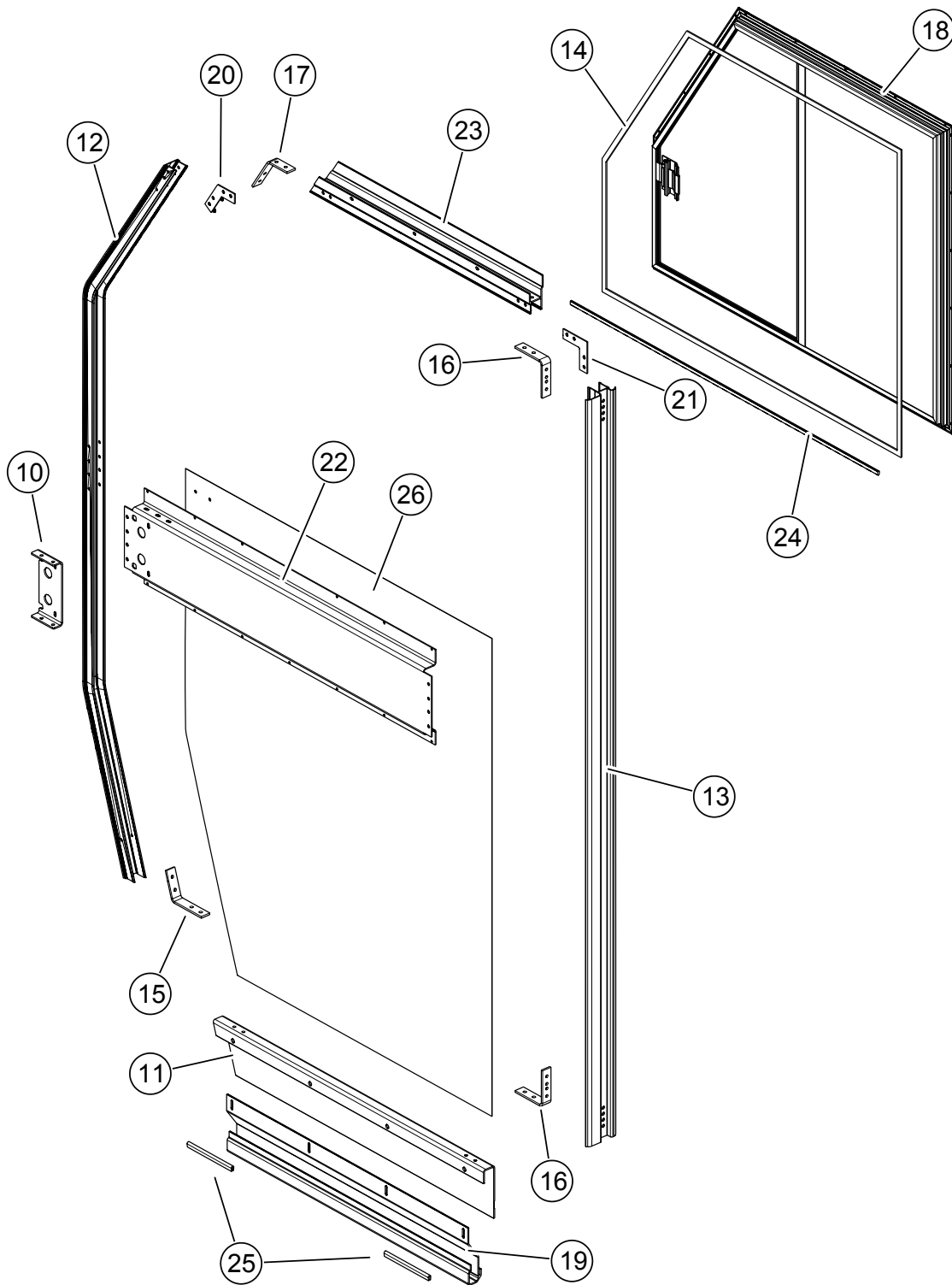
BOM ID	Part Number	Description
0	REFERENCE	57431042-L000K0c SIDE DOOR INSTL LH KEYLESS
10	REFERENCE	57431040 DOOR ASM CAB LH SLIDER
11	06939138	DOOR RING ASSY LH
12	REFERENCE	57430026 BRACKET INSTL LH MNL RLS
13	22825909	STRIKER NUTPLATE
14	REFERENCE	57431039 THRESHOLD LH/RH SIDE DOOR
15	22825843	BRACKET STRIKER MOUNT RH
16	08612070	DOOR TRACK ASSEMBLY
17	08611994	ROLLER UPPER DOOR ASSY
18	08613363	CATCH SLDG DR RR
19	05705829-08300	SEAL B-PILLAR 83.00

Doors, Cab Slider

Passenger's Side Assembly

Viewed from inside.

Order part number 57431043-000UW for complete assembly.



Doors, Cab Slider

Passenger's Side Assembly

Order part number 57431043-000UW for complete assembly.

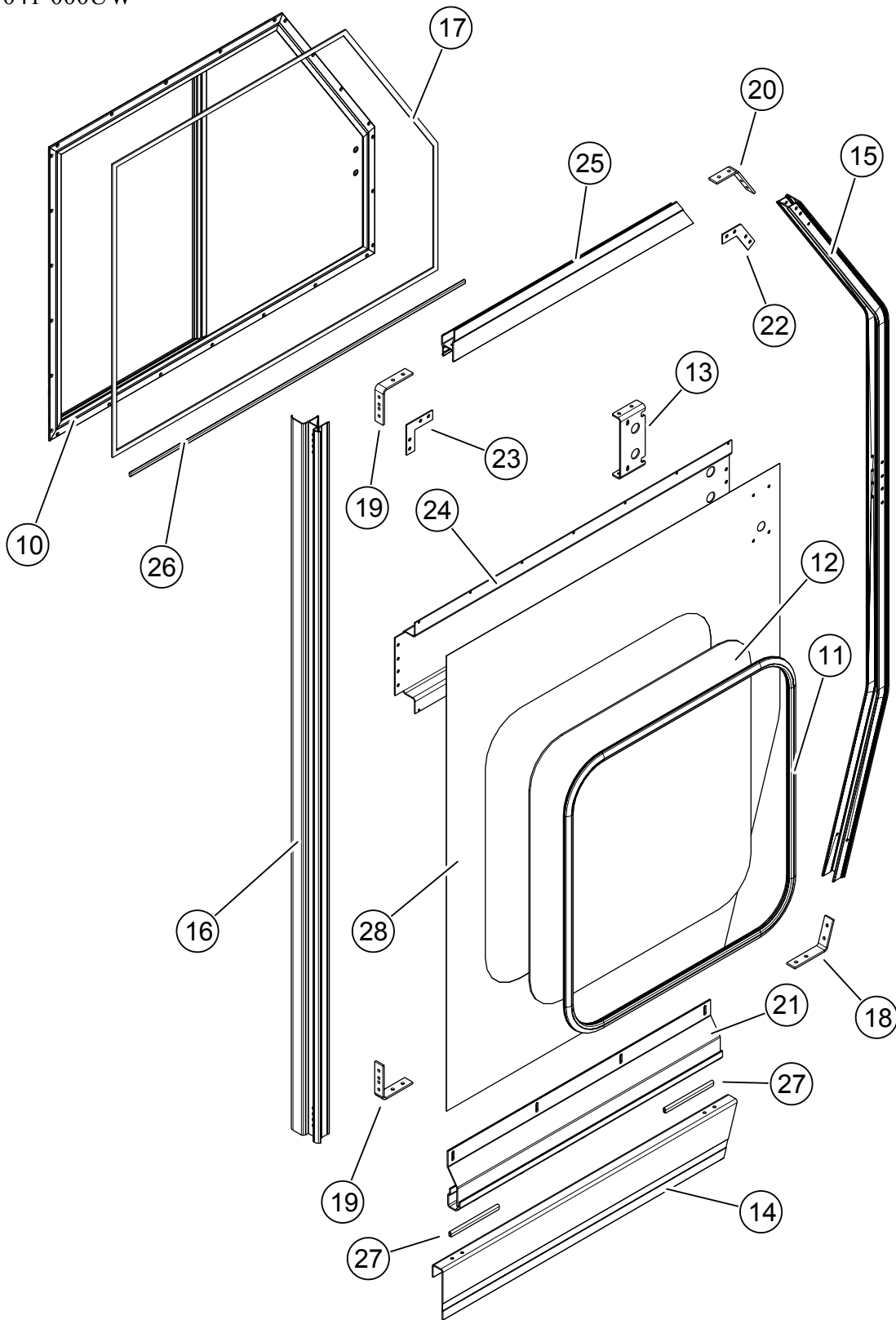
BOM ID	Part Number	Description
0	REFERENCE	57431043-000UWc DOOR ASY RH SLDR WDW WHITE
10	22825907	REINFORCEMENT CHANNEL
11	06938808-R0000U	FRAME DOOR LOWER RH
12	06938815-A00000	FRONT DOOR PILLART OUTER LH/RH
13	06938811	DOOR SEAL/FRAME OUTER REAR
14	12605908	TAPE FOAM BLACK FIRM 1/8 x 3/4 x 75' ROLL
15	22825721	BRKT DOOR SUPPORT BOTTOM FRONT
16	22825720	BRKT DOOR SUPPORT UPR REAR
17	22823382	BRKT DOOR SUPPORT UPR FWD
18	09801834	SLIDER WINDOW RH SIDE SLIDING DR
18 B	08613377	LATCH ONLY SLDR WDW
19	06938809	GUIDE DOOR LOWER LH/RH
20	06937199-0000U	PLATE DOOR SUP FRT UPR MILL
21	06937198-0000U	PLATE DOOR SUPPORT UPR MILL
22	06935572-0000U	BRACE DOOR MILL
23	06934990-RS000U	HDR DR FRM OUTER RH SLD WDW MILL
24	05706907	SEAL QTR GLASS PROFILE
25	05705740-00600	SEAL SLDG RR LWR DR GUIDE 6.00
26	06937342-R0001	PANEL RH DOOR WHITE .040
NS_1	08613421	HOLE PLUG .25 DIA x .062 x .44 HD
NS_2	21313996	DAMPER SELF AHD 20 x 20

Doors, Cab Slider

Passenger's Side Assembly with Lower Window

57431041-000UW

Viewed from outside.



Doors, Cab Slider

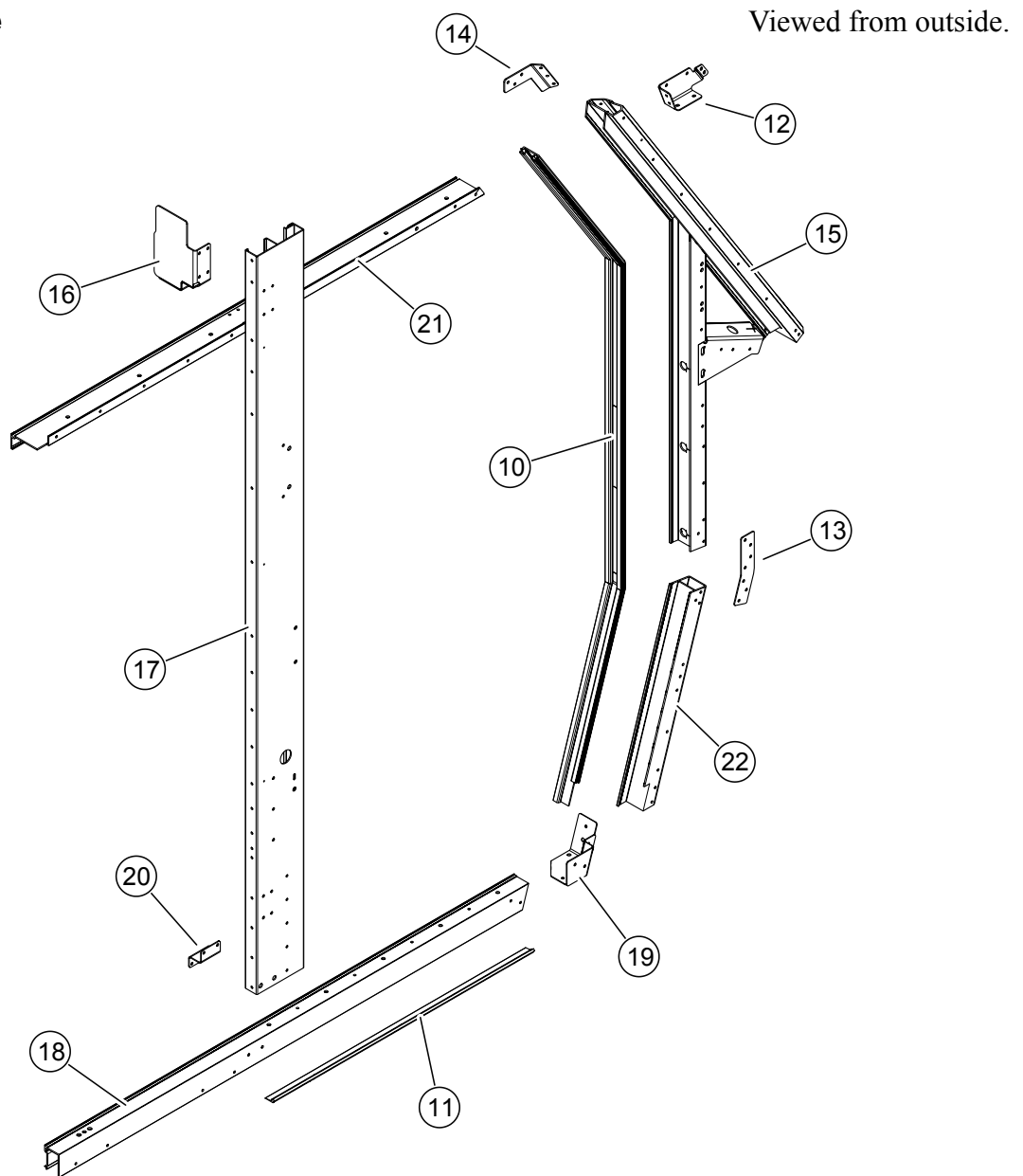
Passenger's Side Assembly with Lower Window

57431041-000UW

BOM ID	Part Number	Description
0	REFERENCE	57431041-000UWc DOOR ASM CAB RH SLDR WHT LWR GLS
10	09801834	SLIDER WINDOW RH SIDE SLIDING DR
11	05706938	SEAL FIXED GLASS
12	09801832	GLASS FIXED DOOR
13	22825907	REINFORCEMENT CHANNEL
14	06938808-R0000U	FRAME DOOR LOWER RH
15	06938815-A00000	FRONT DOOR PILLART OUTER LH/RH
16	06938811	DOOR SEAL/FRAME OUTER REAR
17	12605908	TAPE FOAM BLACK FIRM 1/8 x 3/4 x 75' ROLL
18	22825721	BRKT DOOR SUPPORT BOTTOM FRONT
19	22825720	BRKT DOOR SUPPORT UPR REAR
20	22823382	BRKT DOOR SUPPORT UPR FWD
21	06938809	GUIDE DOOR LOWER LH/RH
22	06937199-0000U	PLATE DOOR SUP FRT UPR MILL
23	06937198-0000U	PLATE DOOR SUPPORT UPR MILL
24	06935572-0000U	BRACE DOOR MILL
25	06934990-RS000U	HDR DR FRM OUTER RH SLD WDW MILL
26	05706907	SEAL QTR GLASS PROFILE
27	05705740-00600	SEAL SLDG RR LWR DR GUIDE 6.00
28	06937342-RG001	PNL RH DR W/LWR GLASS WHITE .040
NS_1	08613421	HOLE PLUG .25 DIA x .062 x .44 HD

Doors, Cab Slider

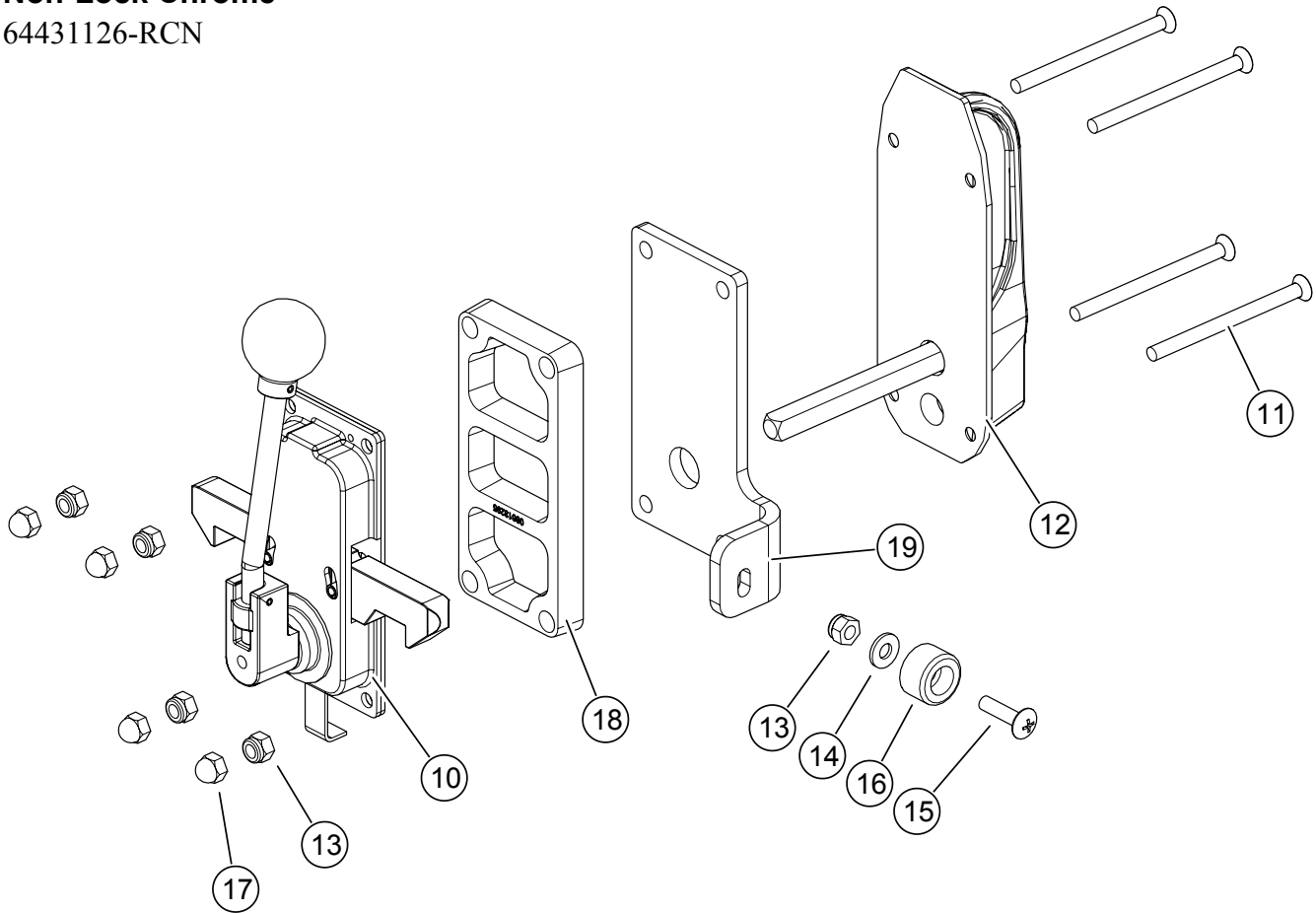
Passenger's Side
 Door Ring
 06939138-00001



BOM ID	Part Number	Description
0	REFERENCE	06939138-00001b DOOR RING ASSY LH
10	05705827	SEAL A PILLAR PROFILE
11	05705497	SEAL FLOCKED
12	22825832	BRACKET PILLAR TO HDR INSIDE LH
13	22823404	BRACKET QUARTER POST OUTSIDE
14	22825837	BRACKET PILLAR TO HDR OUTSIDE LH
15	06939157	WELDMENT DOOR RING LH
16	06938964	BRKT B PILLAR MOUNT UPPER LH
17	06938958	B PILLAR LH
18	06938920	ROCKER LH
19	06934337	BRACKET ROCKER MNT WLDMT LH
20	06938960	BRACKET B PILLAR MOUNT LOWER
21	06938953	SUPPORT HEADER DOOR LH
22	06938526	QUARTER POST LOWER LH

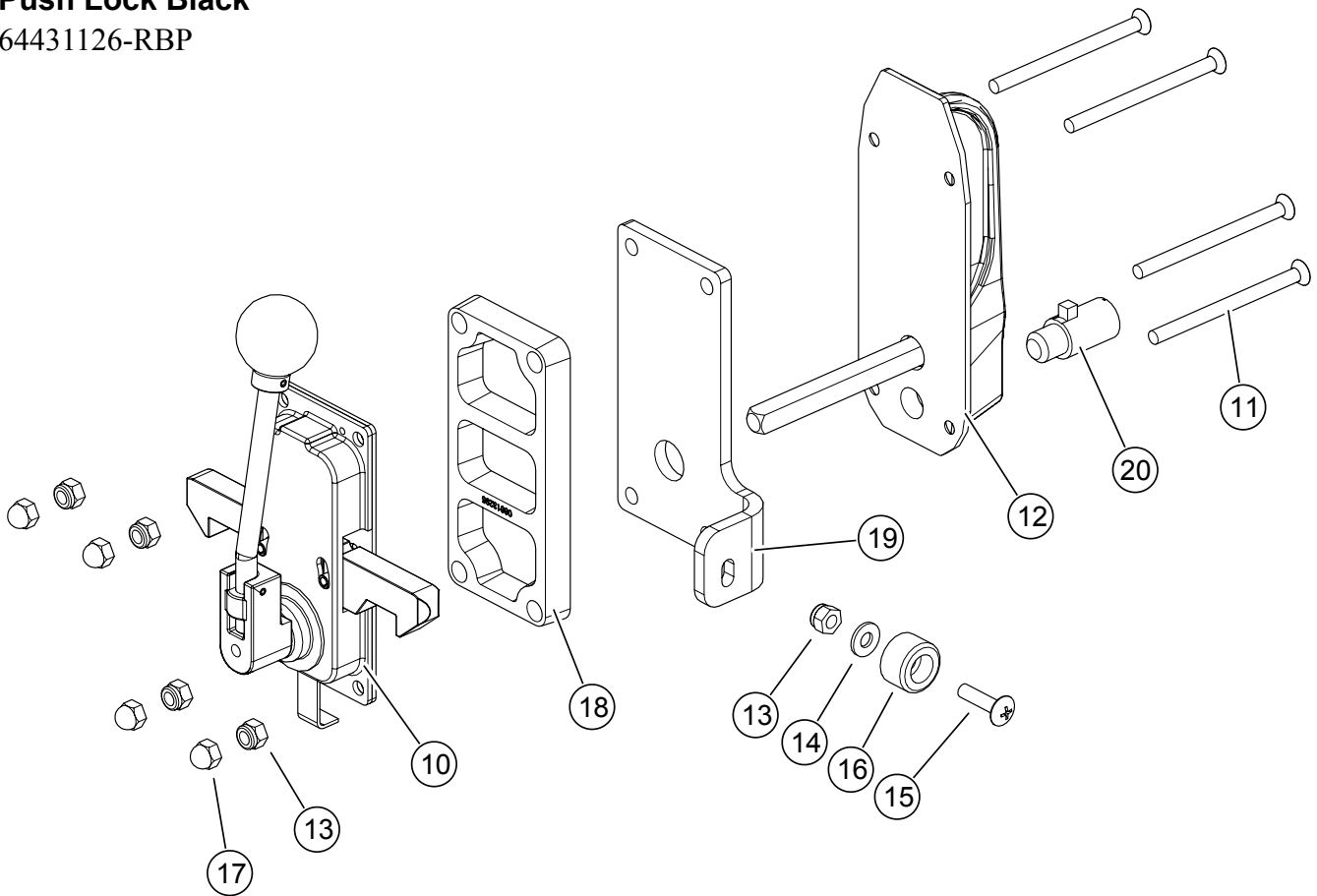
Doors, Cab Slider

Passenger's Side
Handles
Non-Lock Chrome
64431126-RCN



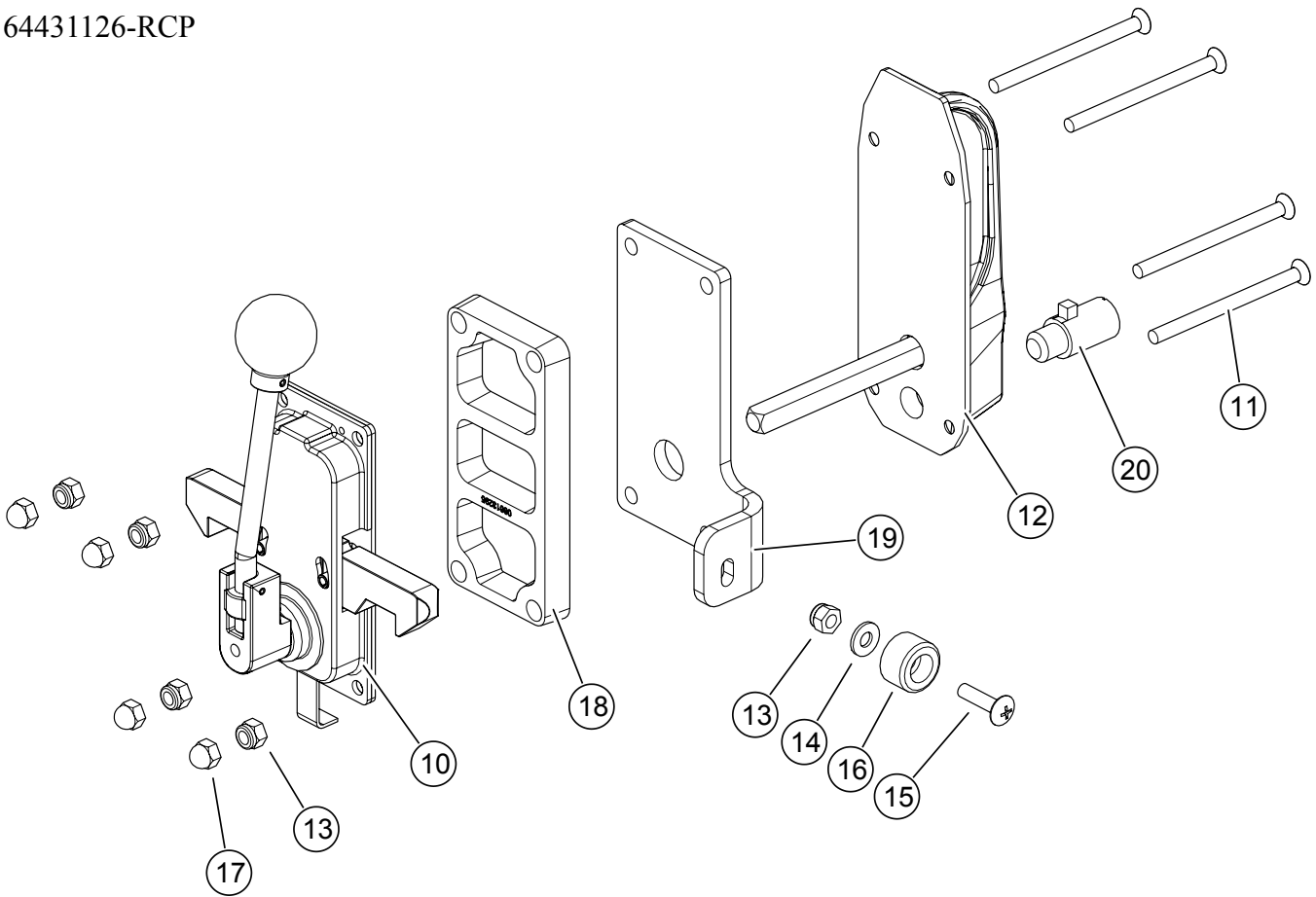
BOM ID	Part Number	Description	Qty
0	REFERENCE	64431126-RCNa HANDLE RH CHROME NON LOCK	
10	08613316	LATCH INTERIOR DOOR	1
11	11601116	SCREW 1/4-20 x 3.50 FLPH BLACK	4
12	08611861-C310	HANDLE 3/8 x 3.10 CHRNM NON LOCK	2
13	11000903	NUT NYLOCK 1/4-20 GR5	5
14	04FWAHNZ	WASHER 1/4 FLAT HRD NRW	1
15	11305103	SCREW 1/4-20 x 1 PHIL TR MS SS	1
16	08210016	STOP RUBBER	1
17	11600732	NUT ACORN 1/4-20 SS	4
18	08613295	SHIM DOOR LATCH PLASTIC	1
19	22822606	BRACKET STOP SHIM RH	1

**Passenger's Side
Handles
Push Lock Black**
64431126-RBP



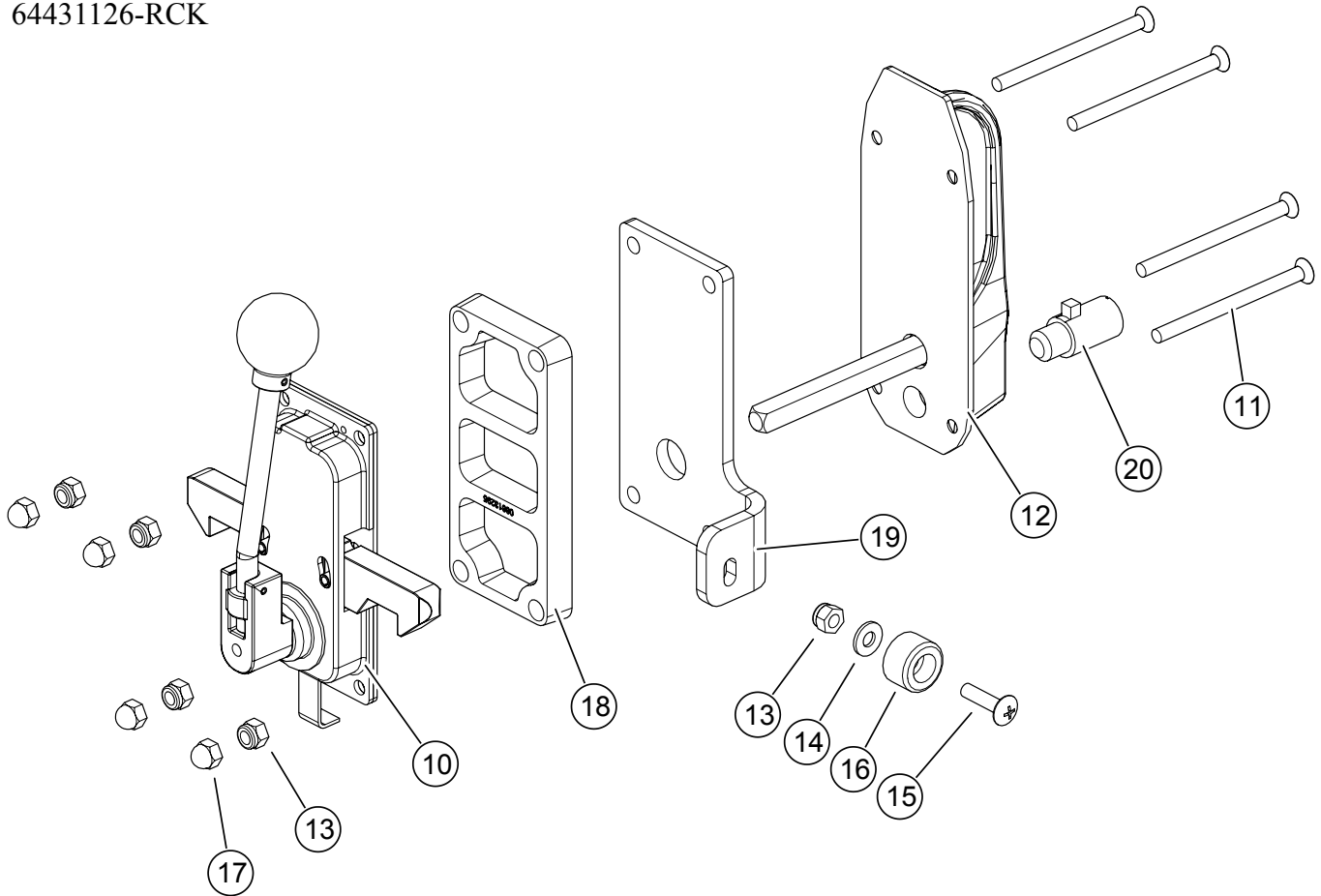
BOM ID	Part Number	Description	Qty
0	REFERENCE	64431126-RBPa HANDLE RH BLACK PUSH LOCK	
10	08613316	LATCH INTERIOR DOOR	1
11	11601116	SCREW 1/4-20 x 3.50 FLPH BLACK	4
12	08611791-B310	HANDLE 3/8 x 3.10" BLACK	2
13	11000903	NUT NYLOCK 1/4-20 GR5	5
14	04FWAHNZ	WASHER 1/4 FLAT HRD NRW	1
15	11305103	SCREW 1/4-20 x 1 PHIL TR MS SS	1
16	08210016	STOP RUBBER	1
17	11600732	NUT ACORN 1/4-20 SS	4
18	08613295	SHIM DOOR LATCH PLASTIC	1
19	22822606	BRACKET STOP SHIM RH	1
20	08611793-0000K	CYLINDER REMV KEY LOCK	1

**Passenger's Side
Handles
Push Lock Chrome**
64431126-RCP



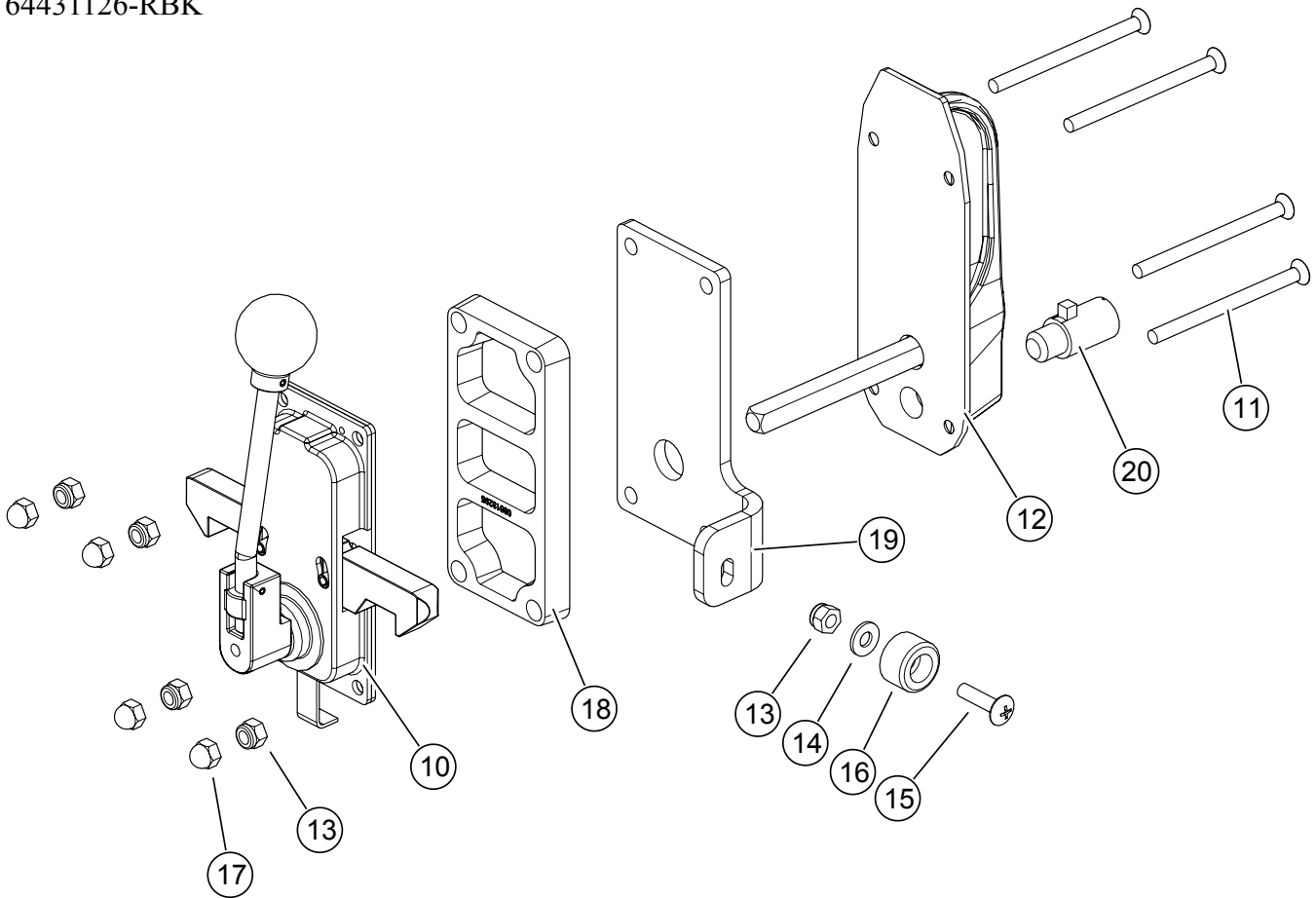
BOM ID	Part Number	Description	Qty
0	REFERENCE	64431126-RCPa HANDLE RH CHROME PUSH LOCK	
10	08613316	LATCH INTERIOR DOOR	1
11	11601116	SCREW 1/4-20 x 3.50 FLPH BLACK	4
12	08611791-C310	HANDLE 3/8 x 3.10" CHROME	2
13	11000903	NUT NYLOCK 1/4-20 GR5	5
14	04FWAHNZ	WASHER 1/4 FLAT HRD NRW	1
15	11305103	SCREW 1/4-20 x 1 PHIL TR MS SS	1
16	08210016	STOP RUBBER	1
17	11600732	NUT ACORN 1/4-20 SS	4
18	08613295	SHIM DOOR LATCH PLASTIC	1
19	22822606	BRACKET STOP SHIM RH	1
20	08611793-0000K	CYLINDER REMV KEY LOCK	1

**Passenger's Side
Handles
Key Lock Chrome**
64431126-RCK



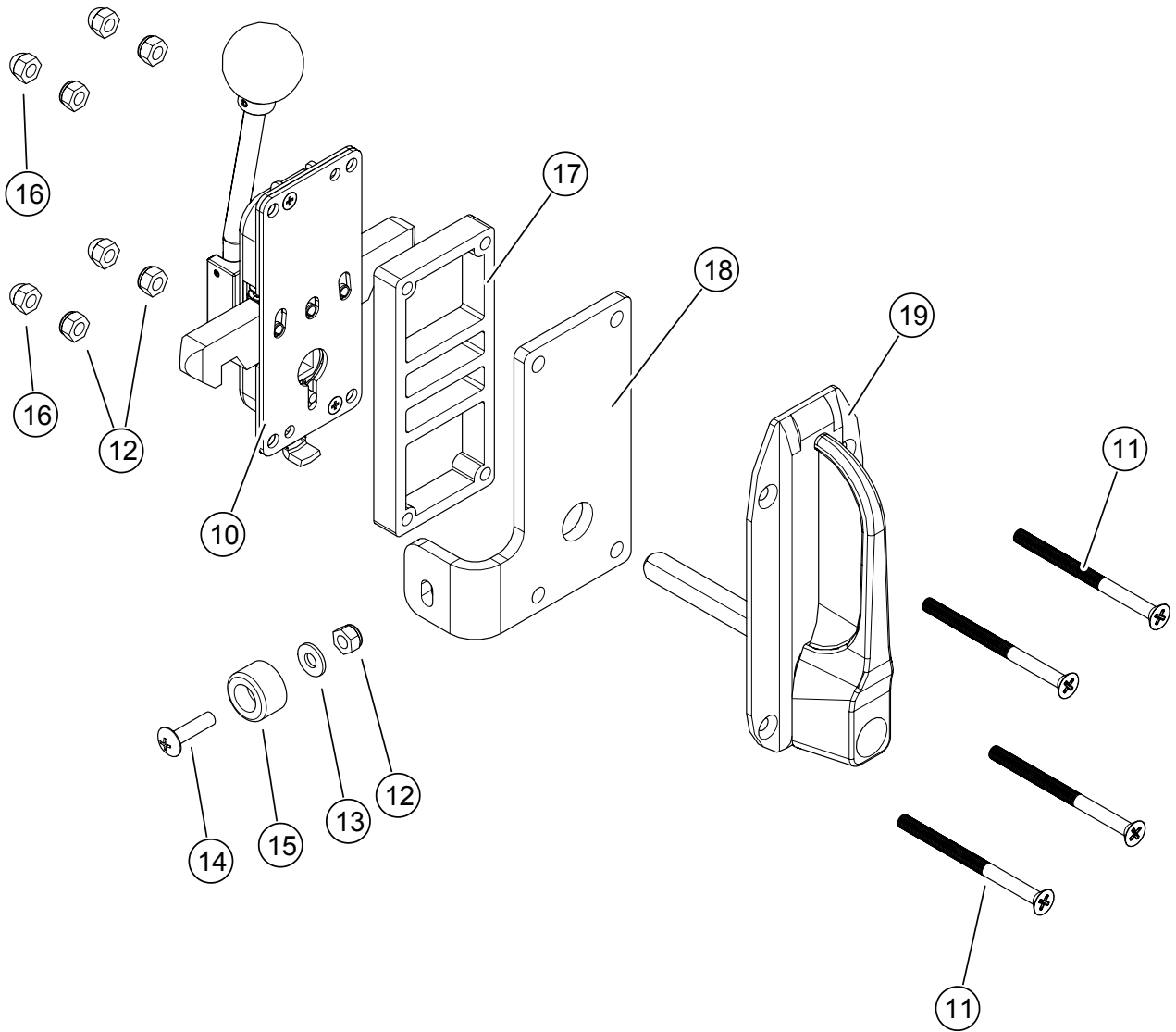
BOM ID	Part Number	Description	Qty
0	REFERENCE	64431126-RCKa HANDLE RH CHROME KEY LOCK	
10	08613316	LATCH INTERIOR DOOR	1
11	11601116	SCREW 1/4-20 x 3.50 FLPH BLACK	4
12	08611791-C310	HANDLE 3/8 x 3.10" CHROME	2
13	11000903	NUT NYLOCK 1/4-20 GR5	5
14	04FWAHNZ	WASHER 1/4 FLAT HRD NRW	1
15	11305103	SCREW 1/4-20 x 1 PHIL TR MS SS	1
16	08210016	STOP RUBBER	1
17	11600732	NUT ACORN 1/4-20 SS	4
18	08613295	SHIM DOOR LATCH PLASTIC	1
19	22822606	BRACKET STOP SHIM RH	1
20	08611793-0000K	CYLINDER REMV KEY LOCK	1

**Passenger's Side
Handles
Key Lock Black**
64431126-RBK



BOM ID	Part Number	Description	Qty
0	REFERENCE	64431126-RBKa HANDLE ASY RH BLACK KEY LOCK	
10	08613316	LATCH INTERIOR DOOR	1
11	11601116	SCREW 1/4-20 x 3.50 FLPH BLACK	4
12	08611791-B310	HANDLE 3/8 x 3.10" BLACK	2
13	11000903	NUT NYLOCK 1/4-20 GR5	5
14	04FWAHNZ	WASHER 1/4 FLAT HRD NRW	1
15	11305103	SCREW 1/4-20 x 1 PHIL TR MS SS	1
16	08210016	STOP RUBBER	1
17	11600732	NUT ACORN 1/4-20 SS	4
18	08613295	SHIM DOOR LATCH PLASTIC	1
19	22822606	BRACKET STOP SHIM RH	1
20	08611793-0000K	CYLINDER REMV KEY LOCK	1

**Passenger's Side
Handles
Non-Lock Black**
64431126-RBN



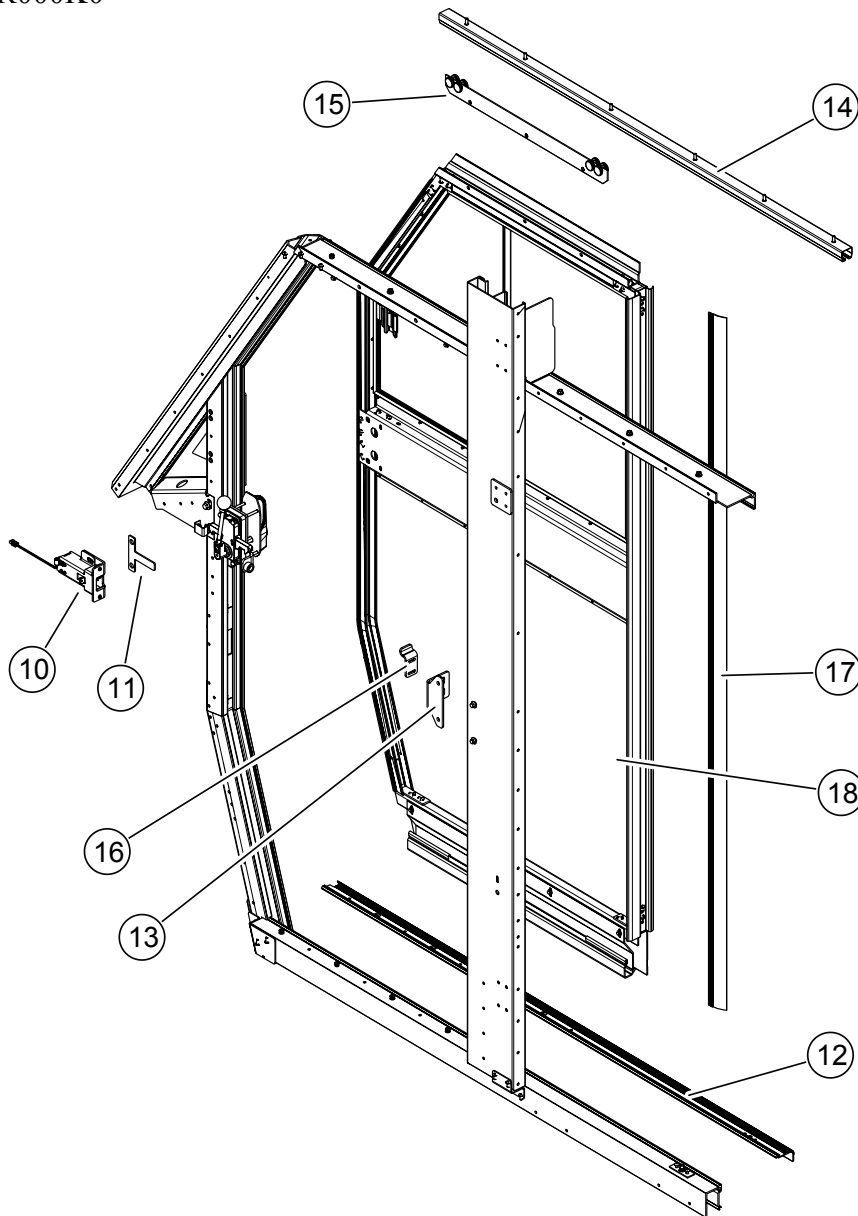
BOM ID	Part Number	Description	Qty
0	REFERENCE	64431126-RBNa HANDLE ASY RH BLACK NON LOCK	
10	08613316	LATCH INTERIOR DOOR	1
11	11601116	SCREW FH PHL 1/4-20 X 3.50 BLK ZN	4
12	11000903	NUT HX 1/4-20 NYLK GR5 ZN	5
13	04FWAHNZ	WASHER 1/4 FLAT HRD NRW ZN	1
14	11305103	SCREW TRH PHL 1/4-20 X 1.00 SS	1
15	08210016	STOP RUBBER	1
16	11600732	NUT ACORN 1/4-20 SS	4
17	08613295	SHIM DOOR LATCH PLASTIC	1
18	22822606	BRACKET STOP SHIM RH	1
19	08611861-B310	HANDLE 3/8 x 3.10 BLACK NON LOCK	1

Doors, Cab Slider

Passenger's Side Installation

57431042-R000K0

Viewed from inside.

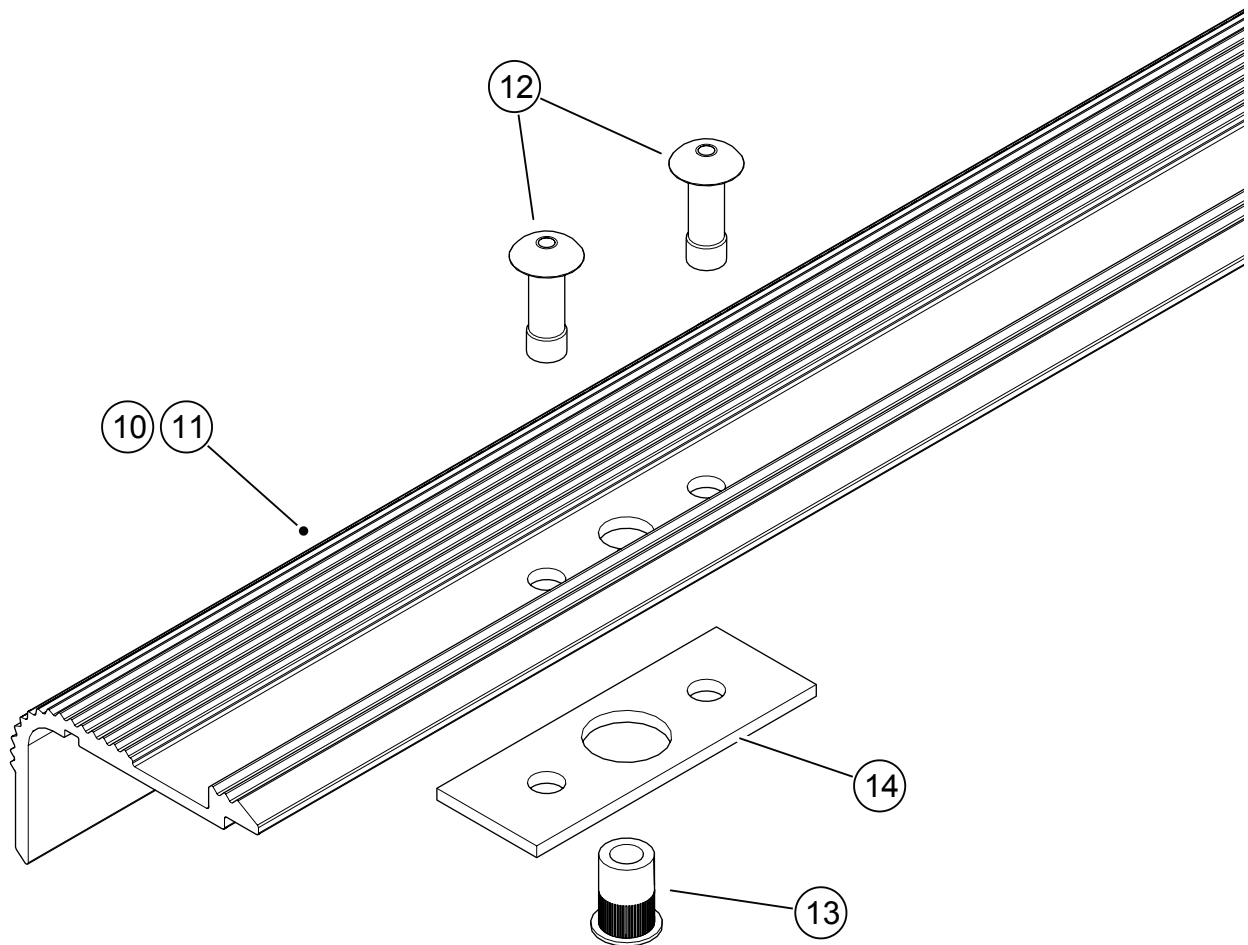


BOM ID	Part Number	Description
0	REFERENCE	57431042-R000K0c SIDE DOOR INSTALL RH SLD KEYLESS
10	REFERENCE	57430029 BRACKET INSTL RH MNL RLS
11	22825909	STRIKER NUTPLATE
12	REFERENCE	57431039 THRESHOLD SIDE DOOR
13	22825843	BRACKET STRIKER MOUNT RH
14	08612070	DOOR TRACK ASSEMBLY
15	08611994	ROLLER UPPER DOOR ASSY
16	08613363	ROLLER UPPER DOOR ASSY
17	05705829-08300	SEAL B-PILLAR 83.00
18	REFERENCE	57431043 DOOR ASM CAB RH SLIDER

Doors, Cab Slider

Threshold Assembly

57431039

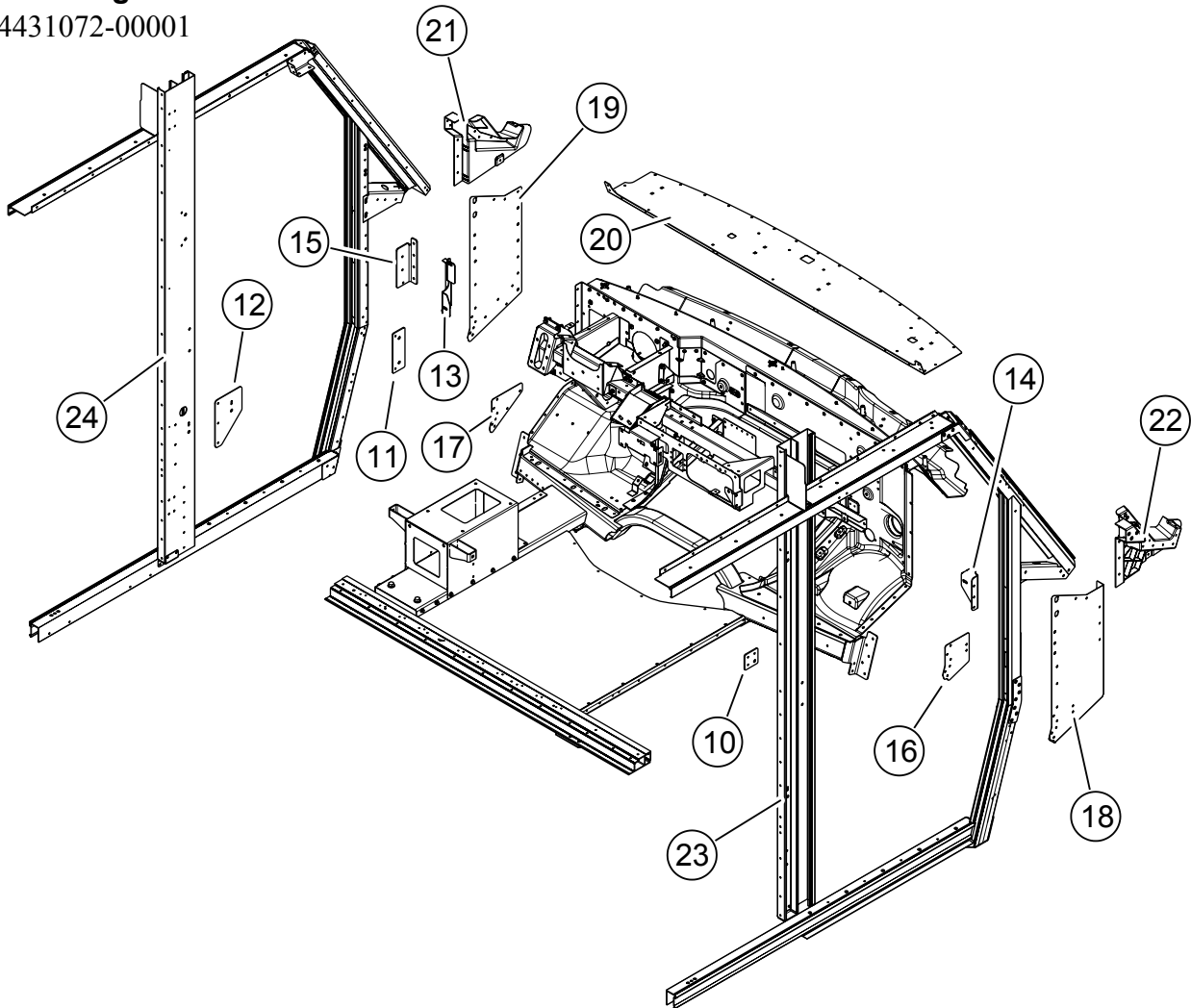


BOM ID	Part Number	Description	Qty
0	REFERENCE	57431039a THRESHOLD ASY LH/RH SIDE DOOR	
10	57431039-R00000	THRESHOLD ASY RH SIDE DOOR	RH
11	57431039-L00000	THRESHOLD ASY LH SIDE DOOR	LH
12	11400024	MAGNA-LOC 1/4" STL EXTND	2
13	11601185	NUTSERT OPEN M6-1.0	1
14	06934580	SHIM THRESHOLD	1

Doors, Cab Slider

Door Ring Installation

54431072-00001

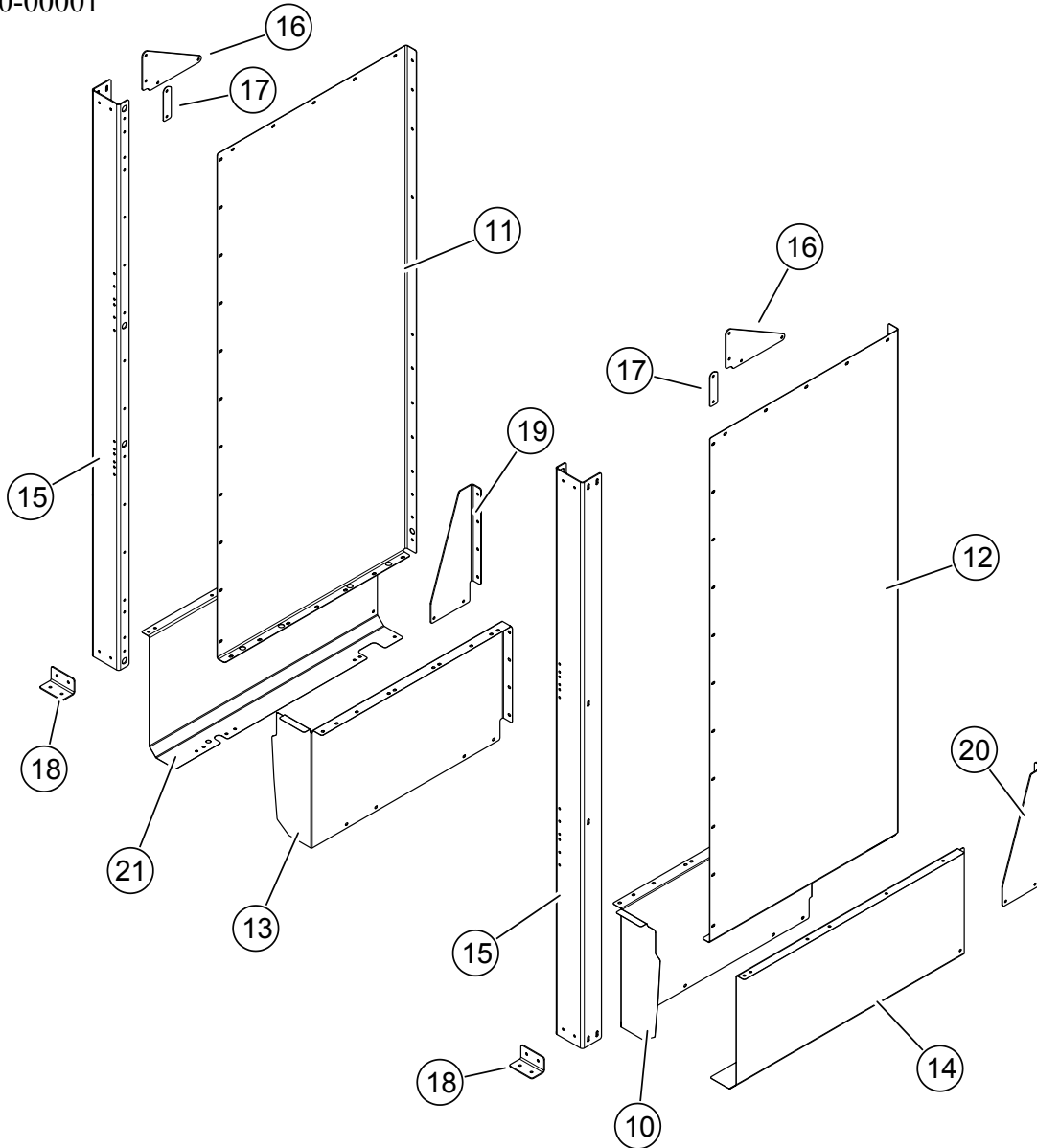


BOM ID	Part Number	Description
0	REFERENCE	54431072-00001a DOOR RINGS INSTALL
10	22823405	BRACKET D RING MOUNT RH
11	22825842	BRACKET D RING MOUNT LH
12	22823170	MOUNT RETRACTOR
13	22822608	BRACKET IP BEAM
14	22825918	BRACKET IP MOUNT RH
15	22825917	BRACKET IP BEAM MOUNT LH
16	22823398	BRACKET QUARTER POST INSIDE RH
17	22823403	BRACKET QUARTER POST INSIDE LH
18	06939005	COWL SIDE RH
19	06939006	COWL SIDE LH
20	06939195	SUPPORT ROOF
21	06800203	CASTING PILLAR UPPER LH
22	06800202	CASTING PILLAR UPPER RH
23	06939140-00001	DOOR RING ASSY RH
24	06939138-00001	DOOR RING ASSY LH

Doors, Cab Slider

Door Pockets, Standard

54431080-00001

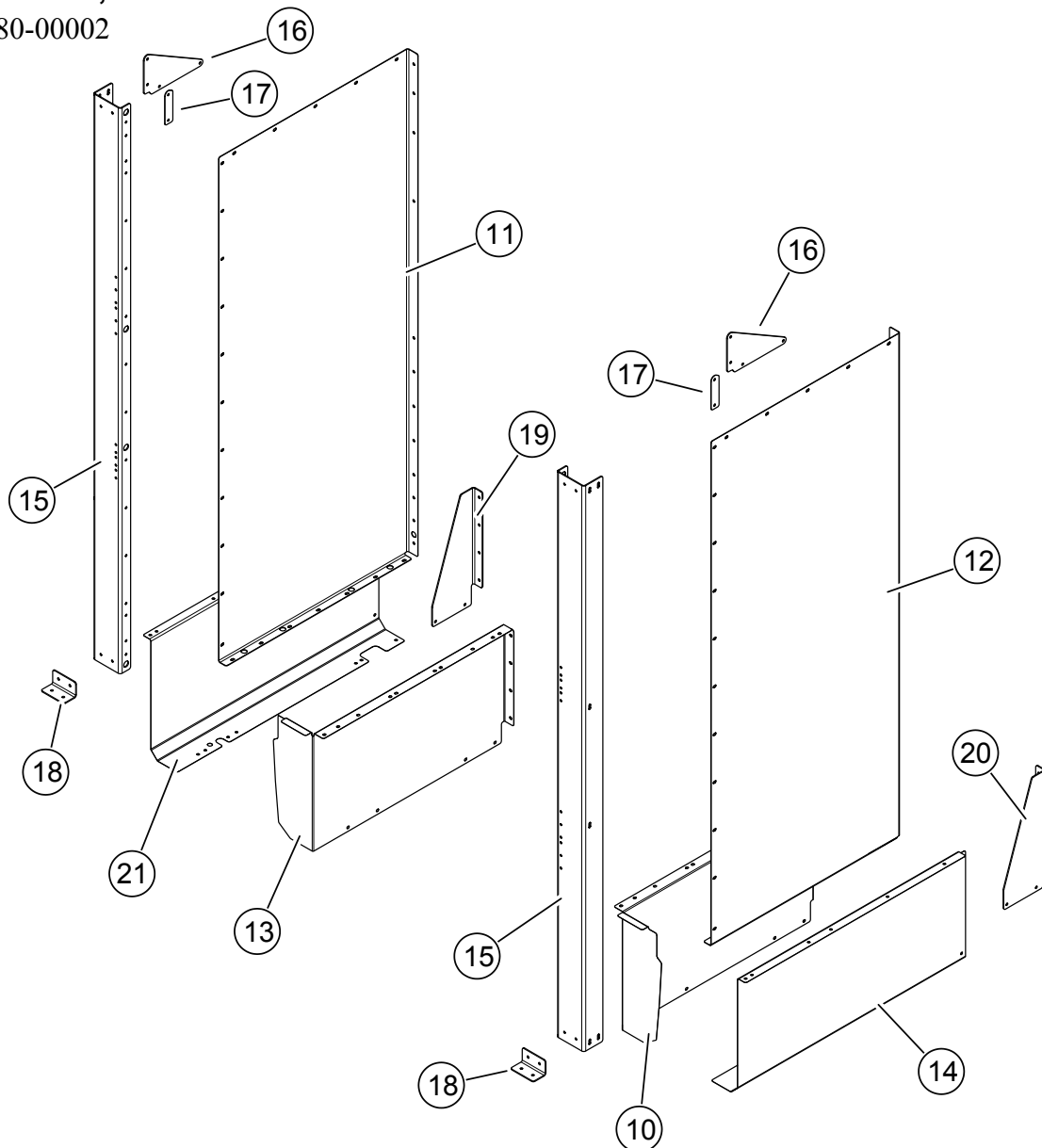


BOM ID	Part Number	Description	Qty
0	REFERENCE	54431080-00001b DR POCKET STD	
10	06938158	POCKET LOWER DOOR INNER RH	1
11	06937308	PANEL DOOR POCKET INNER LH	1
12	06937309	PANEL DOOR POCKET INNER RH	1
13	06938160	POCKET LWR DR INNER LH 151" WB	1
14	06938144	DOOR POCKET RH LOWER OUTER	1
15	06939481	STUD DOOR POCKET	2
16	06939471	GUSSET SUPPORT DOOR POCKET UPPER	2
17	06939472	GUSSET SUPPORT SHIM DOOR POCKET UPP	2
18	06939476	SUPPORT BRACKET DOOR POCKET LOWER	2
19	06939477	GUSSET LH SUPPORT DOOR POCKET LOWER	1
20	06939365	GUSSET RH SUPPORT DOOR POCKET LOWER	1
21	06938146	DOOR POCKET LH LOWER OUTER 151"	1

Doors, Cab Slider

Door Pockets, Parcel

54431080-00002



BOM ID	Part Number	Description	Qty
0	REFERENCE	54431080-00002b DR POCKET PARCEL	
10	06938158	POCKET LOWER DOOR INNER RH	1
11	06938437	PANEL DOOR POCKET INNER LH	1
12	06938438	PANEL DOOR POCKET INNER RH	1
13	06938160	POCKET LWR DR INNER LH 151" WB	1
14	06938144	DOOR POCKET RH LOWER OUTER	1
15	06939481	STUD DOOR POCKET	2
16	06939471	GUSSET SUPPORT DOOR POCKET UPPER	2
17	06939472	GUSSET SUPPORT SHIM DOOR POCKET UPP	2
18	06939476	SUPPORT BRACKET DOOR POCKET LOWER	2
19	06939477	GUSSET LH SUPPORT DOOR POCKET LOWER	1
20	06939365	GUSSET RH SUPPORT DOOR POCKET LOWER	1
21	06938146	DOOR POCKET LH LOWER OUTER 151"	1

Doors, Rear Roll-up T-Series

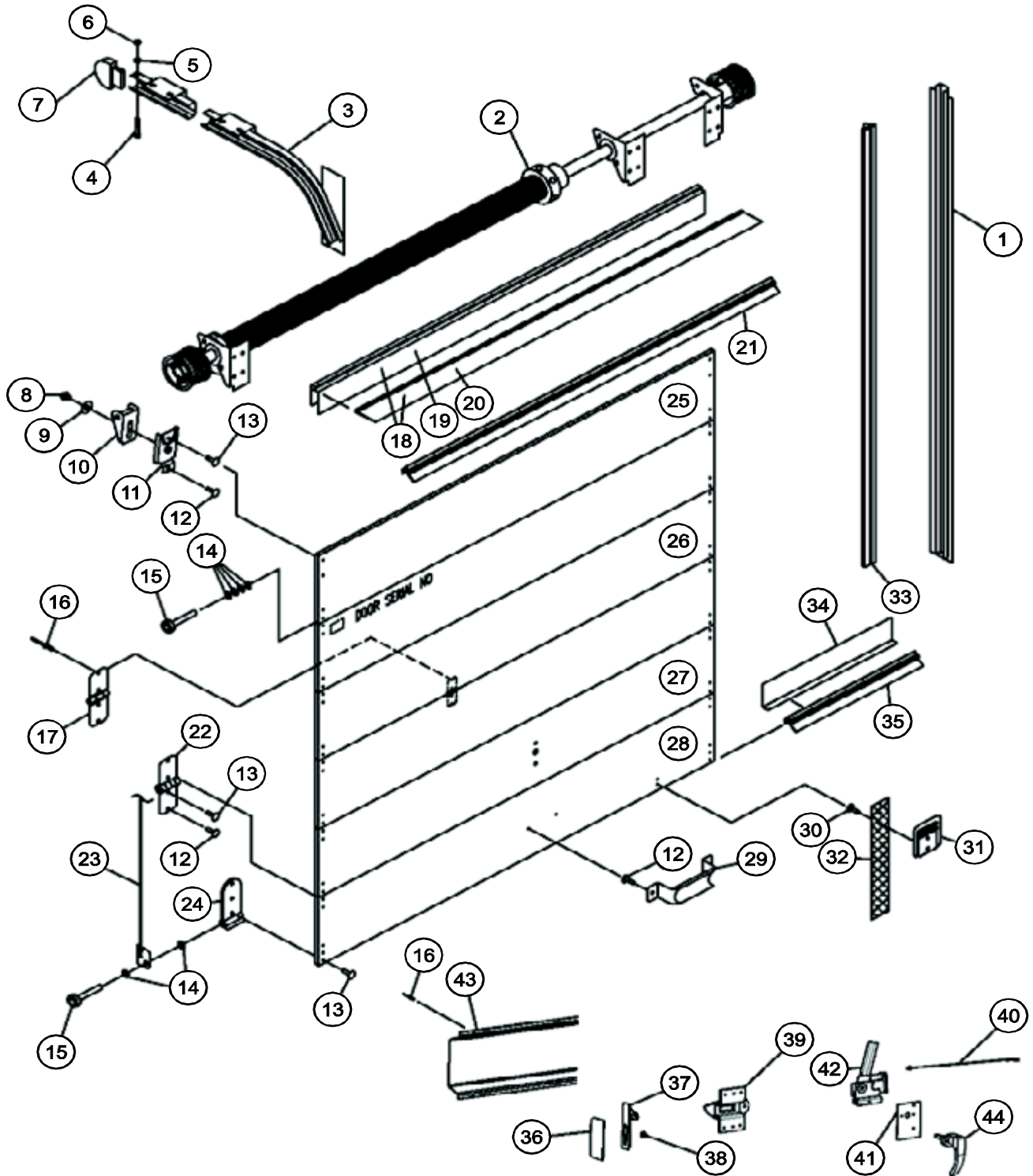
Assembly

10301955

Paint code references for body panels:

WHITE: Sherwin-Williams White G2N77175

BROWN: Sherwin-Williams Brown G2N32668
or DuPont Imron Brown 744412-HN



Doors, Rear Roll-up T-Series

Assembly

10301955 NOTE: Door Serial Number Required (DSNR) to replace part.

BOM ID	Part Number	Description
0	REFERENCE	10301955e DOOR ROLL-UP ASSY TODCO 80 x 67
1 PS	10303041	VERTICAL TRACK ASSY CS (67.25" OVERALL)
1 DS	10303042	VERTICAL TRACK ASSY RS (67.25" OVERALL)
2	10997134	COUNTERBALANCE ASSM
3	10303043	HORIZ TRACK ASSY CS (87")
3	10303044	HORIZ TRACK ASSY RS (87")
4	10997809	BOLT HEX HD 1/4NCx1-3/4
5	10001385	WASHER LOCK 1/4 MED SPLIT
6	10001386	NUT HEX 1/4-20
7	10301353	GUARD END YELLOW RUBBER
8	10997829	E-LOCK BOLT 3/8 NC
9	10997828	FLATWASHER 3/8 ID
10	10997827	SLIDE ADJUST TOP FIXTURE
11	10999996	BASE ADJUST TOP FIXTURE
12	10999697	RIVET 1"R/VDR
13	10998144	RIVET 1-1/8"
14	10997519	WASHER SPACER RU DR
15	10997518	ROLLER 1" QUIET DR
16	10998194	RIVET 1/4"
17	10999982	CENTER ROLL UP DR HINGE
18	<i>DSNR</i>	HEADER SEAL ASSM (73.25")
19	10303082	RETAINER TP SEAL WTHRT (73.25")
20	10999986	SEAL TOP DOOR R/UP (73.25")
21	10997637	SEAL SIDE ROLLUP DOOR (74.375")
22	08613392	HINGE DOOR OUTSIDE #43
23 PS	10997155	CABLE W/ROLLER BRKT LH
23 DR	10997156	CABLE W/ROLLER BRKT RH
24	10999977	BOTTOM FIXTURE
25	10997920	TOP PNL (73.25 x 13 w/ TOP FIX. BASE & SEAL)
26	10303029	PANEL INTERMED (73.25 x 15)
27	<i>DSNR</i>	LOCK PANEL-WEATHERTITE
28	10997876	PANEL BTM NO LOCK RUD
29	10999962	LIFT HANDLE
30	<i>DSNR</i>	1-3/8" RIVET
31	10999715	PULL STRAP RETAINER

Doors, Rear Roll-up T-Series

Assembly

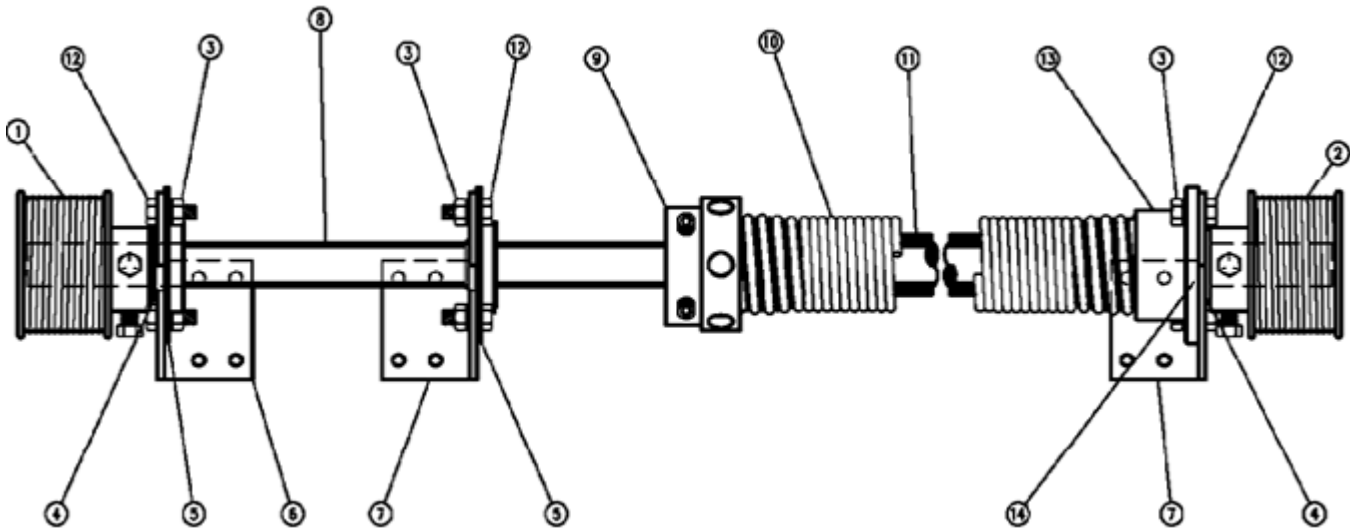
10301955 NOTE: Door Serial Number Required (DSNR) to replace part.

32	<i>DSNR</i>	14" LOOPED BLK PULL STRAP
33	10997637	SEAL SIDE ROLLUP DOOR (74.375")
34	10999976	BOTTOM ANGLE (68.25")
35	10999973	SEAL BOTTOM ROLL UP DOOR (73.25")
36 PS	10997247	PLATE RU DR STKR MT CS
36 DS	10997248	PLATE RU DR STKR MT RS
37	10997517	CATCH LOCK W/REINF PLATE
38	11600640	NUT 1/4-20 SERR HX FLG LK
39 PS	10997923	LATCH ASSY LH
39 DS	10997924	LATCH ASSY RH
40	10997874	CABLE 2PT SLAM (31.813")
41	<i>DSNR</i>	HNDL INT REIN PLATE
42	10999849	LOCK RUD 2PTMECH CTRTRIP
43	10997558	ROLLUP DOOR INT HDWR CVR (72.75")
44	08611862	HANDLE

Doors, Rear Roll-up T-Series

Spring

59174-0534

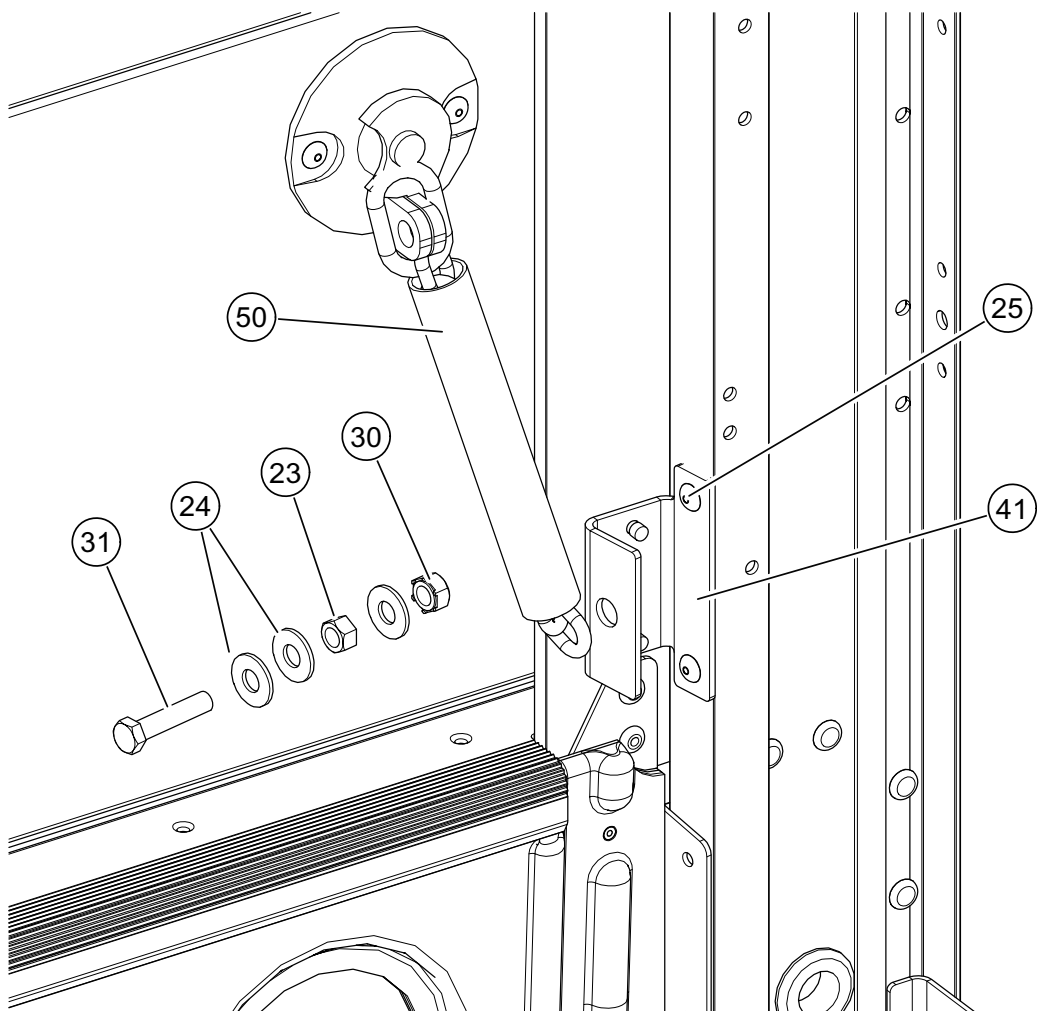


BOM ID	Part Number	Description
0	REFERENCE	59174-0534 COUNTER BALANCE ASSY
01	10997142	DRUM CABLE PLAS PASSENGER
02	10997143	DRUM CABLE PLAS DRIVER
03 N	10997799	NUT HEX 5/16 NC
03 W	10997800	LOCK WASHER 5/16
04	DSNR	SPACER WASHER DRUM
05	10998247	SUPPORT BEARING
06	DSNR	BRACKET ANCHOR DRIVER
07	DSNR	BRACKET ANCHOR PASSENGER
08	DSNR	SHAFT
09	DSNR	WINDING PLUG
10	DSNR	SPRING 1-3/4 ID
11	DSNR	SPRING SILENCER BOOT
12	10997801	BOLT HEX HD 5/16 NC x 7/8
13	10999937	SPRING ANCHOR PLUG
14	DSNR	BEARING ACHOR PLUG

Doors, Rear Roll-up T-Series

Cable, T-Series

64430035

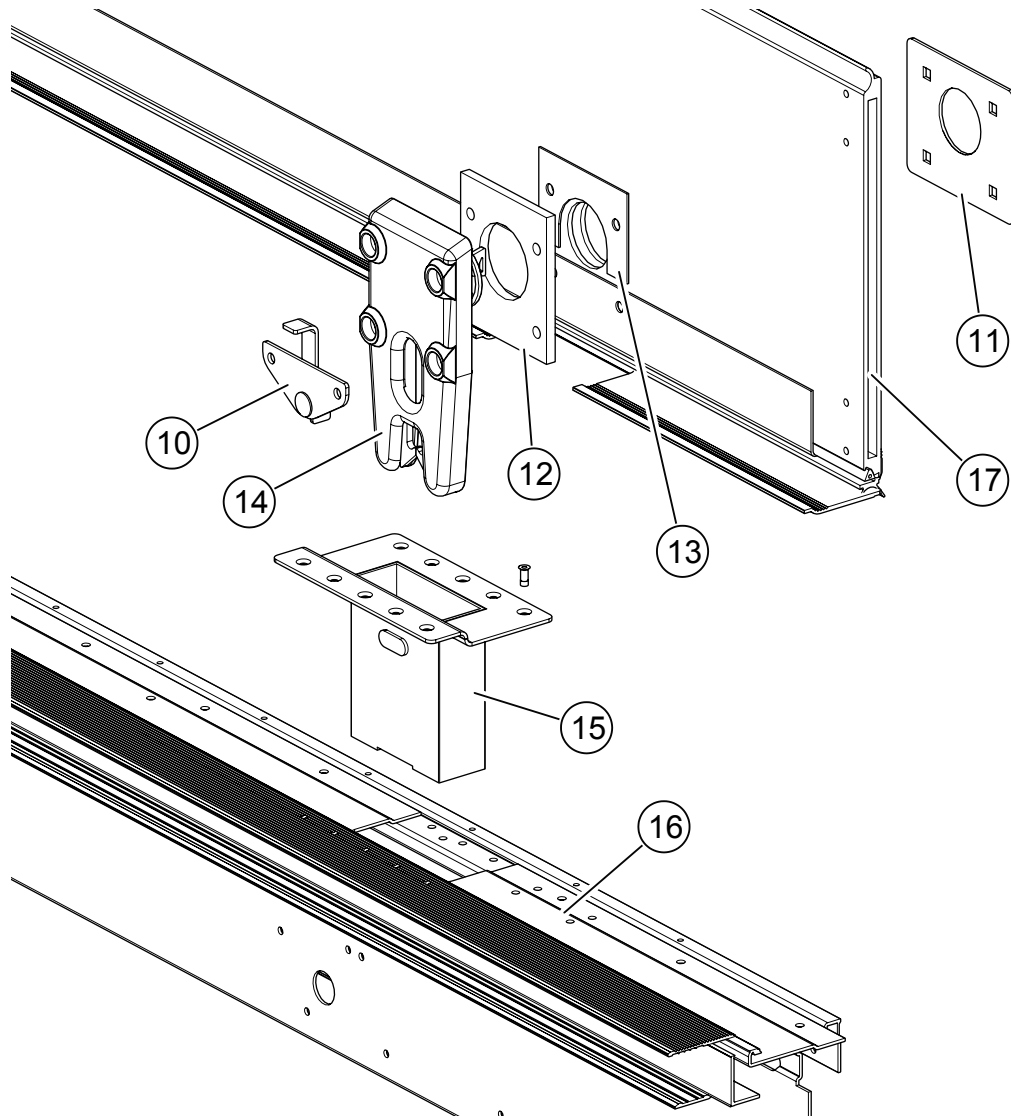


BOM ID	Part Number	Description
0	REFERENCE	64430035a REAR DR SECURITY CHAIN INSTL
23	11000800	NUT HEX 3/8-16 ZINC
24	11008110	WASHER 3/8 FLAT
25	11400023	MAGNA-LOC 1/4" STL
30	11000800	NUT HEX 3/8-16 ZINC
31	11601117	BOLT 3/8x1-3/4 TAP
41	22825121	BRACKET WELD NUT ASSEMBLY LL
50	REFERENCE	DOOR SECURITY CHAIN
NS_1	12303705	TAPE VINYL 3" WHITE ROLL
NS_2	REFERENCE	THREAD LOCK RED

Doors, Rear Roll-up T-Series

Enforcer Lock

55431034-00001



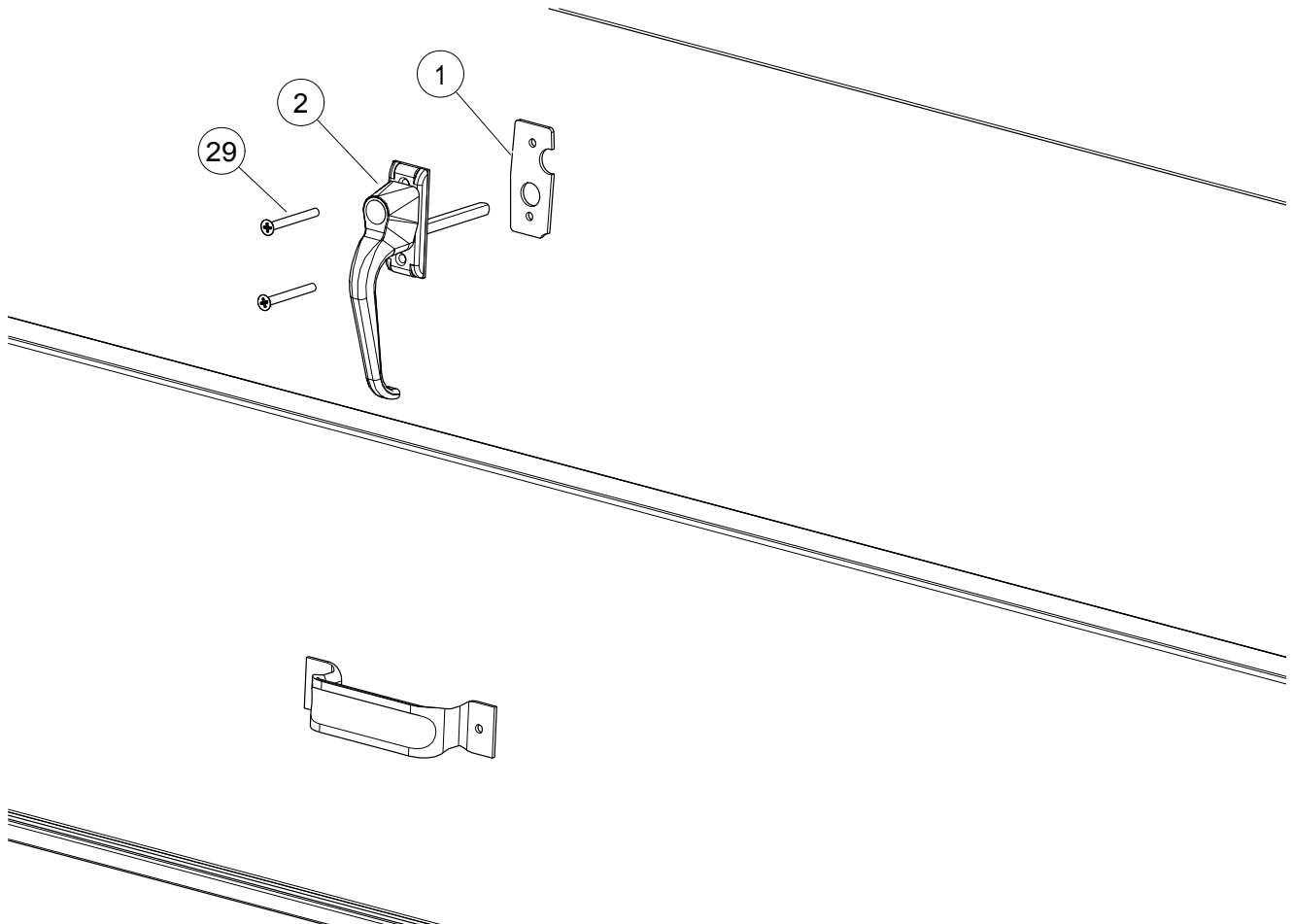
BOM ID	Part Number	Description
0	REFERENCE	55431034-00001a INSTALL ENFORCER LOCK ASSY
10	08612055	ENFORCER INT QUICK RELEASE
11	06937599	ENFOFCER LATCH OUTER PLT
12	06939462	SPACER ENFORCER LOCK PLATE
13	22824984	PLATE SPACER ENFORCER LOCK
14	08610353	LOCK RU DR ENFCR
15	64431075	LOCK CATCH BOOT WELDMT
16	REFERENCE	THRESHOLD RR DR
17	REFERENCE	PANEL BOTTOM DR

Doors, Rear Roll-up T-Series

Handles

Black Key to Lock

55431017-000BK



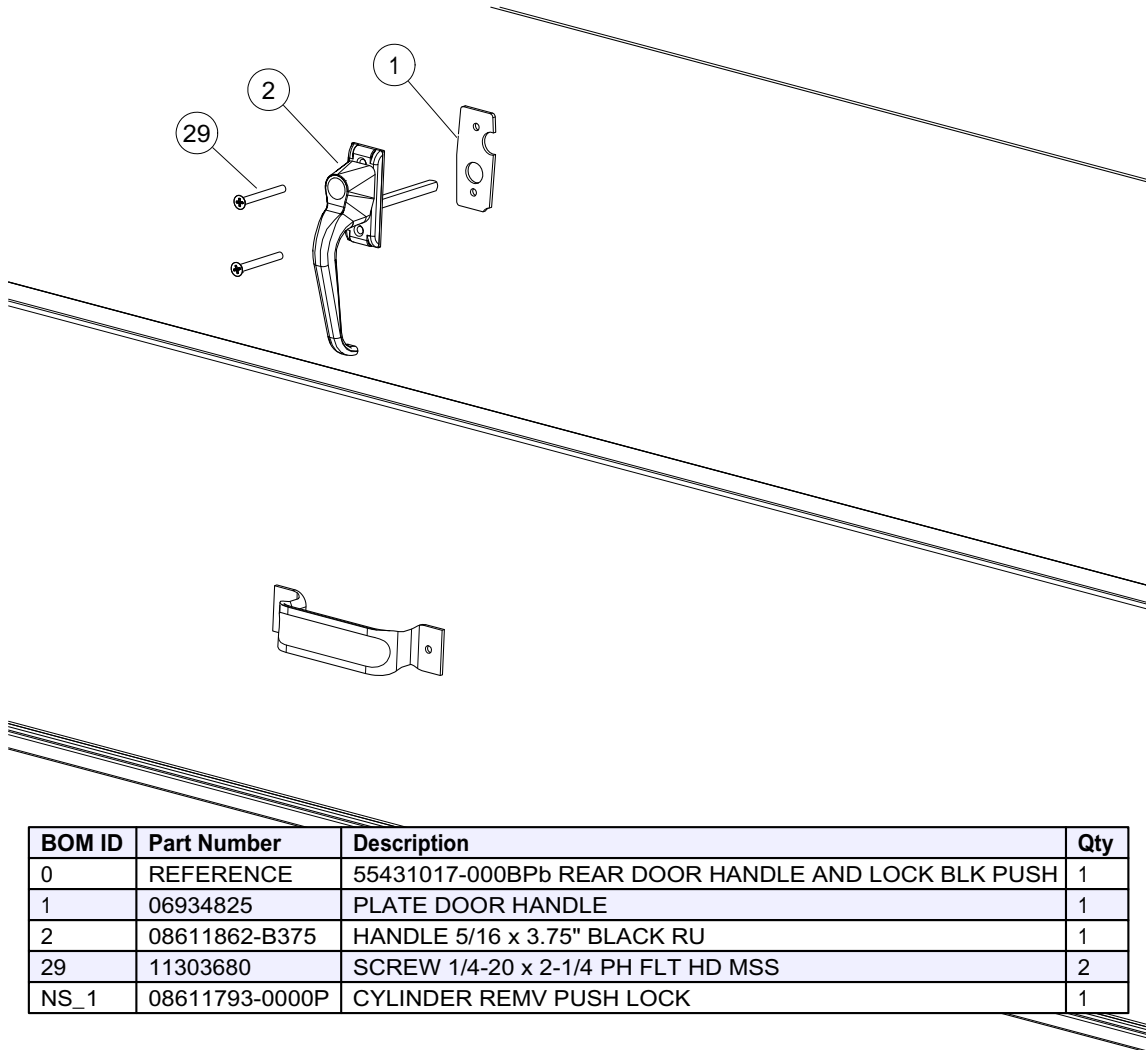
BOM ID	Part Number	Description	Qty
0	REFERENCE	55431017-000BKb REAR DR HANDLE AND LOCK BLK KEYED	
1	06934825	PLATE DOOR HANDLE	1
2	08611862-B375	HANDLE 5/16 x 3.75" BLACK RU	1
29	11303680	SCREW 1/4-20 x 2-1/4 PH FLT HD MSS	2
NS_1	08611793-0000K	CYLINDER REMV KEY LOCK	1

Doors, Rear Roll-up T-Series

Handles

Black Push to Lock

55431017-000BP



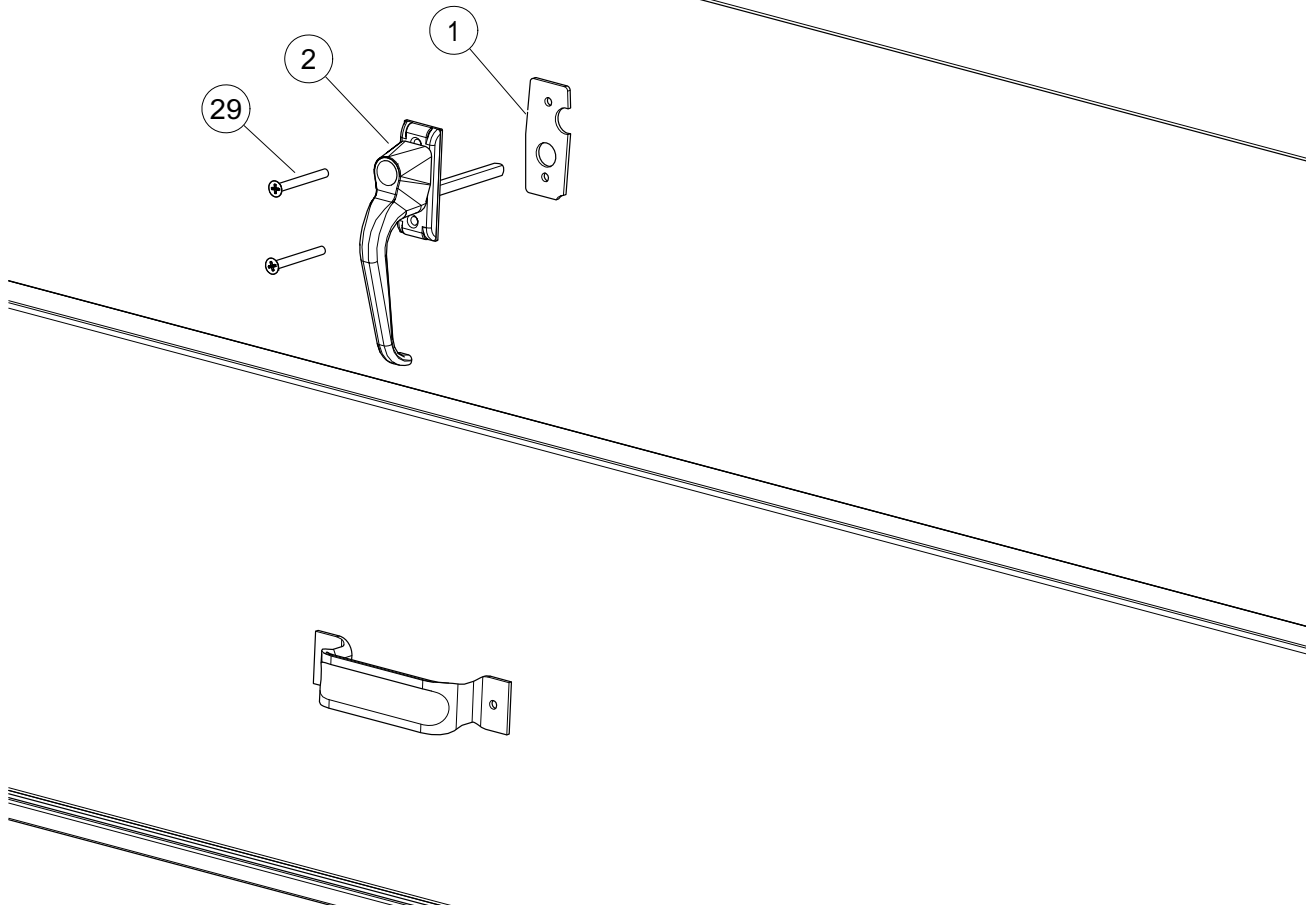
BOM ID	Part Number	Description	Qty
0	REFERENCE	55431017-000BPb REAR DOOR HANDLE AND LOCK BLK PUSH	1
1	06934825	PLATE DOOR HANDLE	1
2	08611862-B375	HANDLE 5/16 x 3.75" BLACK RU	1
29	11303680	SCREW 1/4-20 x 2-1/4 PH FLT HD MSS	2
NS_1	08611793-0000P	CYLINDER REMV PUSH LOCK	1

Doors, Rear Roll-up T-Series

Handles

Chrome Key to Lock

55431017-000CK



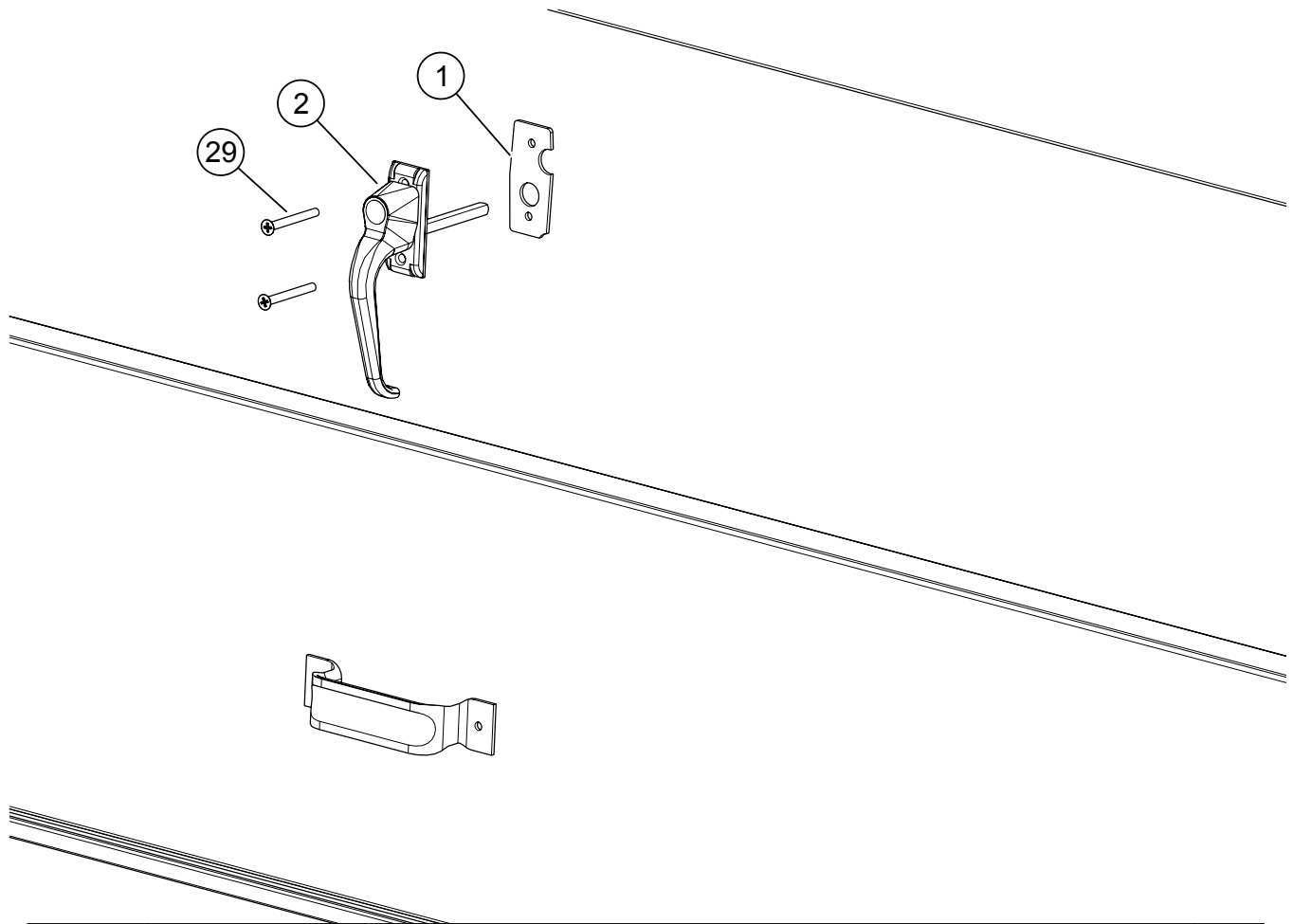
BOM ID	Part Number	Description	Qty
0	REFERENCE	55431017-000CKb REAR DOOR HANDLE AND LOCK CHR KEY	1
1	06934825	PLATE DOOR HANDLE	1
2	08611862-C375	HANDLE 5/16 x 3.75" CHROME RU	1
29	11303680	SCREW 1/4-20 x 2-1/4 PH FLT HD MSS	2
NS_1	08611793-0000K	CYLINDER REMV KEY LOCK	1

Doors, Rear Roll-up T-Series

Handles

Chrome Push to Lock

55431017-000CP

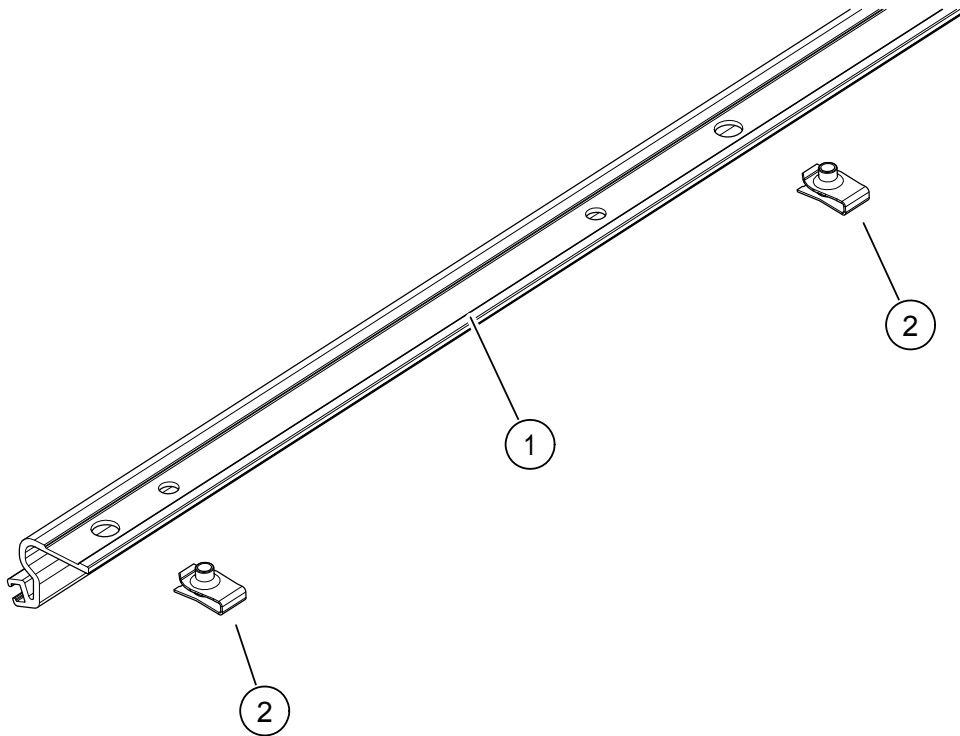


BOM ID	Part Number	Description	Qty
0	REFERENCE	55431017-000CPb REAR DOOR HANDLE AND LOCK CHR PUSH	
1	06934825	PLATE DOOR HANDLE	1
2	08611862-C375	HANDLE 5/16 x 3.75" CHROME RU	1
29	11303680	SCREW 1/4-20 x 2-1/4 PH FLT HD MSS	2
NS_1	08611793-0000P	CYLINDER REMV PUSH LOCK	1

Doors, Rear Roll-up T-Series

Header Seal

55431016-W0000



BOM ID	Part Number	Description	Qty
0	REFERENCE	55431016-W0000a TRACK UPPER SEAL ASSY WHITE	
1	06937182-W0000	TRACK UPPER SEAL WHITE	1
2	11601215	U-NUT M6-1.0 .8-2.5G	6

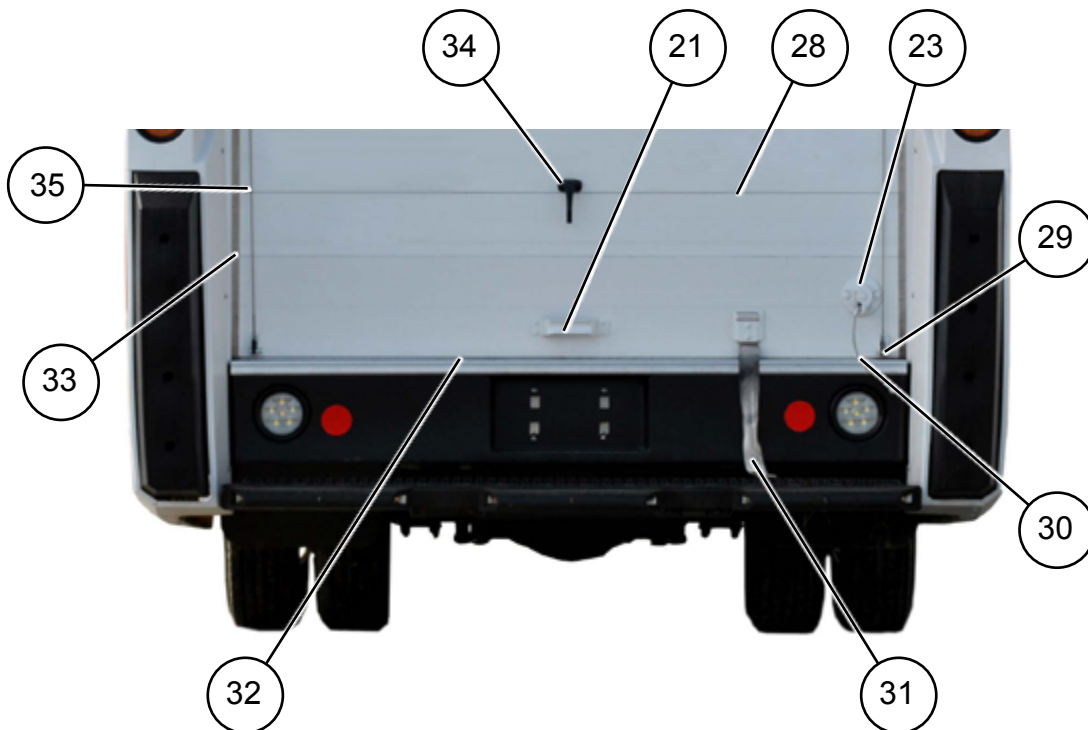
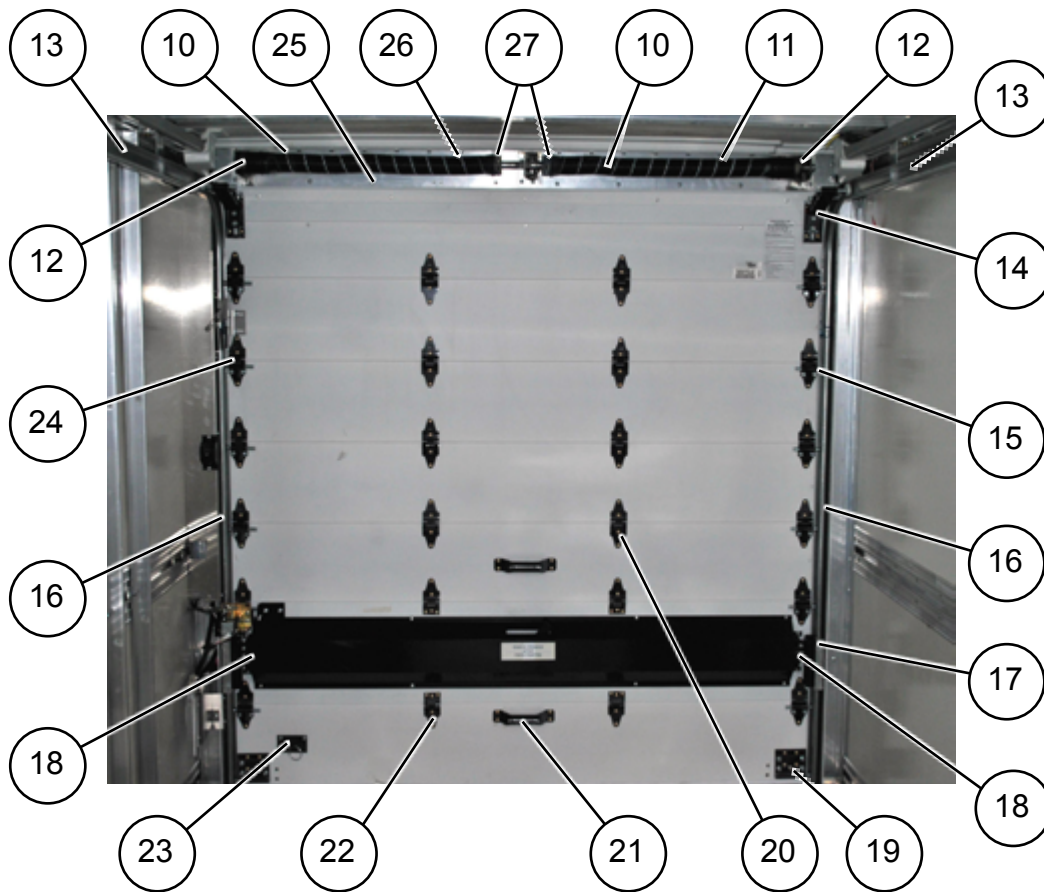
Doors, Rear Roll-up W-Series

Assembly
10301983

Paint code references for body panels:

WHITE: Sherwin-Williams White G2N77175

BROWN: Sherwin-Williams Brown G2N32668
or DuPont Imron Brown 744412-HN



Doors, Rear Roll-up W-Series

Assembly

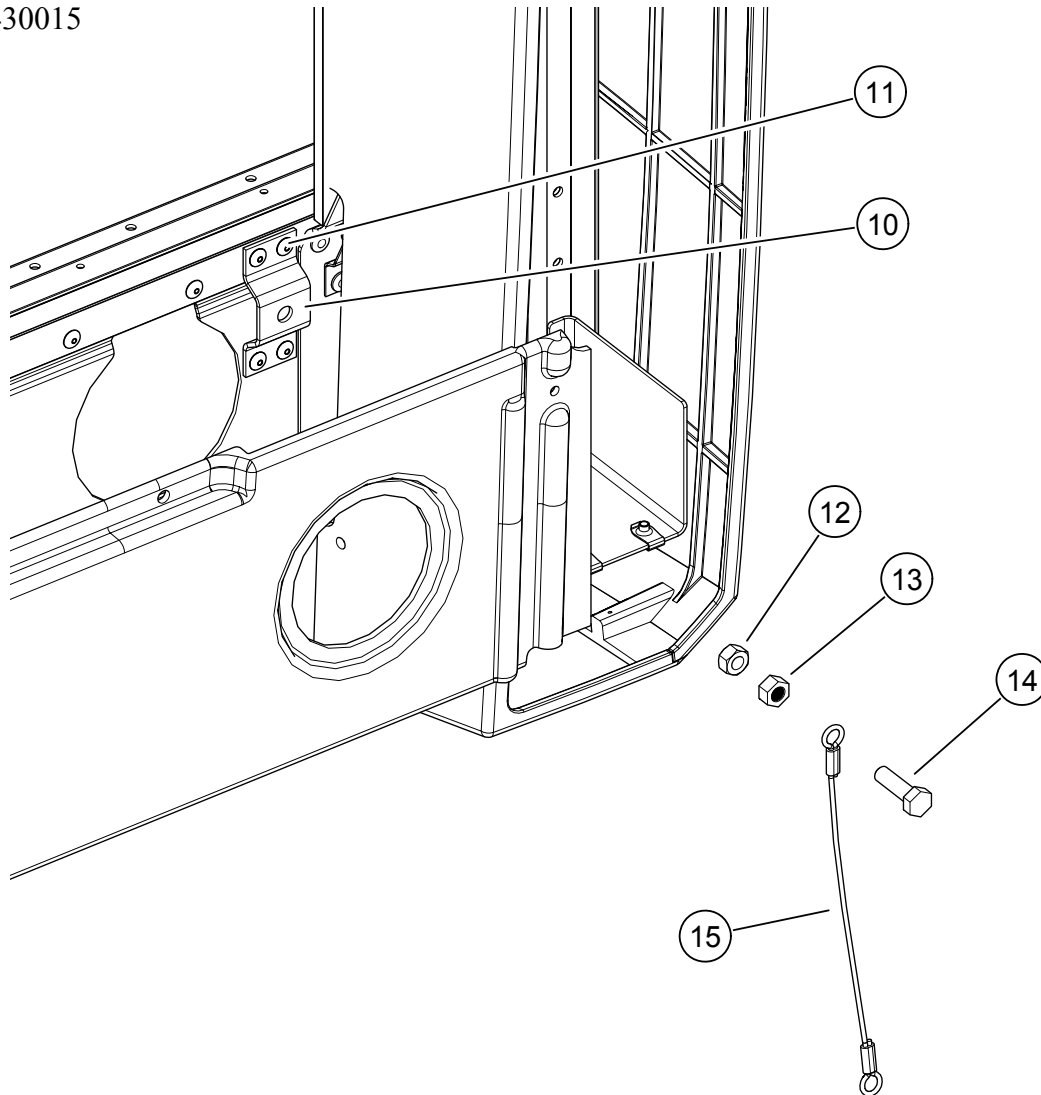
10301983

BOM ID	Part Number	Description	Qty
0	REFERENCE	10301983a W-SERIES ROLL-UP DOOR	1
10 LH	10001387	SPRING TORSION RS/DS 177 x 23"	1
10 RH	10001388	SPRING TORSION CS/PS 177 x 23"	1
11	10997279	DR SEAL TOP BRUSH CLR ASSY 96"	1
12 LH	10997045	CABLE DRUM AND BEARING ASSY RS/DS	1
12 RH	10997046	CABLE DRUM AND BEARING ASSY CS/PS	1
13 LH	10998257	TRACK HORZ DR 2" RS/DS	1
13 RH	10998258	TRACK HORZ DR 2" CS/PS	1
14	10998049	HINGE UPPER TRUSS DBL ROLLER	2
15	08220229	ROLLERS NYLON 2"	14
16 LH	10998255	TRACK VERTICAL DR 2" RS/DS	1
16 RH	10998256	TRACK VERTICAL DR 2" CS/PS	1
17	10997407	LATCH PLATE FAN STYLE	2
18 LH	10997406	LATCH ASSY FAN STYLE RS/DS	1
18 RH	10997405	LATCH ASSY FAN STYLE CS/PS	1
19	10997307	BRKT BTM ROLLER	2
20	10997030	HINGE ASSY CENTER	8
21	10997309	HANDLE GRAB	3
22	10998001	CLEARANCE CENTER HINGE	4
23	10997310	MECHANISM QUICK RELEASE	1
24	10997027	HINGE ROLLER COMPLETE	12
25	10997313	SEAL ASSY CLR HEADER 96"	1
26	10997038-0700	BALANCER ASSY	1
27	10997047	CONE WINDING	2
28	10998254	SEAL JOINT	7
29	10998232	CABLE ANCHOR BRACKET	2
30	10997311	CABLE PLASTIC CVRD 10"	1
31	10997080	STRAP PULL DOWN WHITE 19"	1
32	10997312	SEAL BOTTOM WHITE 90.38"	1
33	10997315	SEAL AND JKT ASSY 77" CLR BRSH	2
34	10998259	HANDLE EXT DR RU	1
35	10997413	CABLE RU DOOR 115"	1

Doors, Rear Roll-up W-Series

Cable, W-Series

55430015



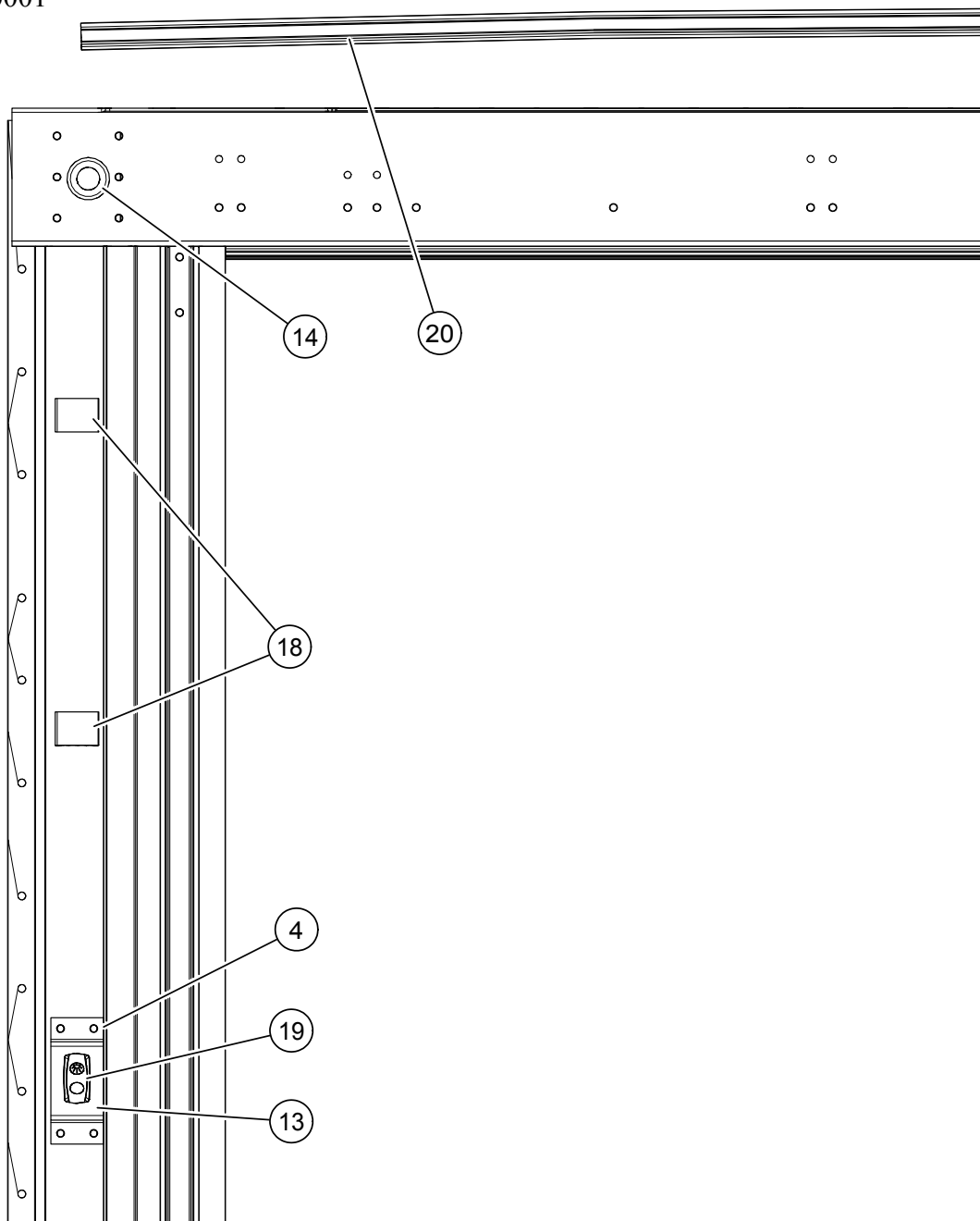
BOM ID	Part Number	Description	Qty
0	REFERENCE	55430015b DR RR ROLL-UP W-SERIES INSTL	
10	06936061	BRACKET RU DOOR CABLE LATCH	1
11	11400024	MAGNA-LOC 1/4" STL	4
12	11000041	NUT LOCK WXD 7/16-14 2WAY ZN	1
13	11000187	NUT 7/16 SS	1
14	11000186	BOLT HEX CAP 7/16-14 x 1.5	1
15	REFERENCE	CABLE (PART OF DOOR)	

Doors, Rear Roll-up

3-Way Light Switch

Viewed from inside.

58430016-00001



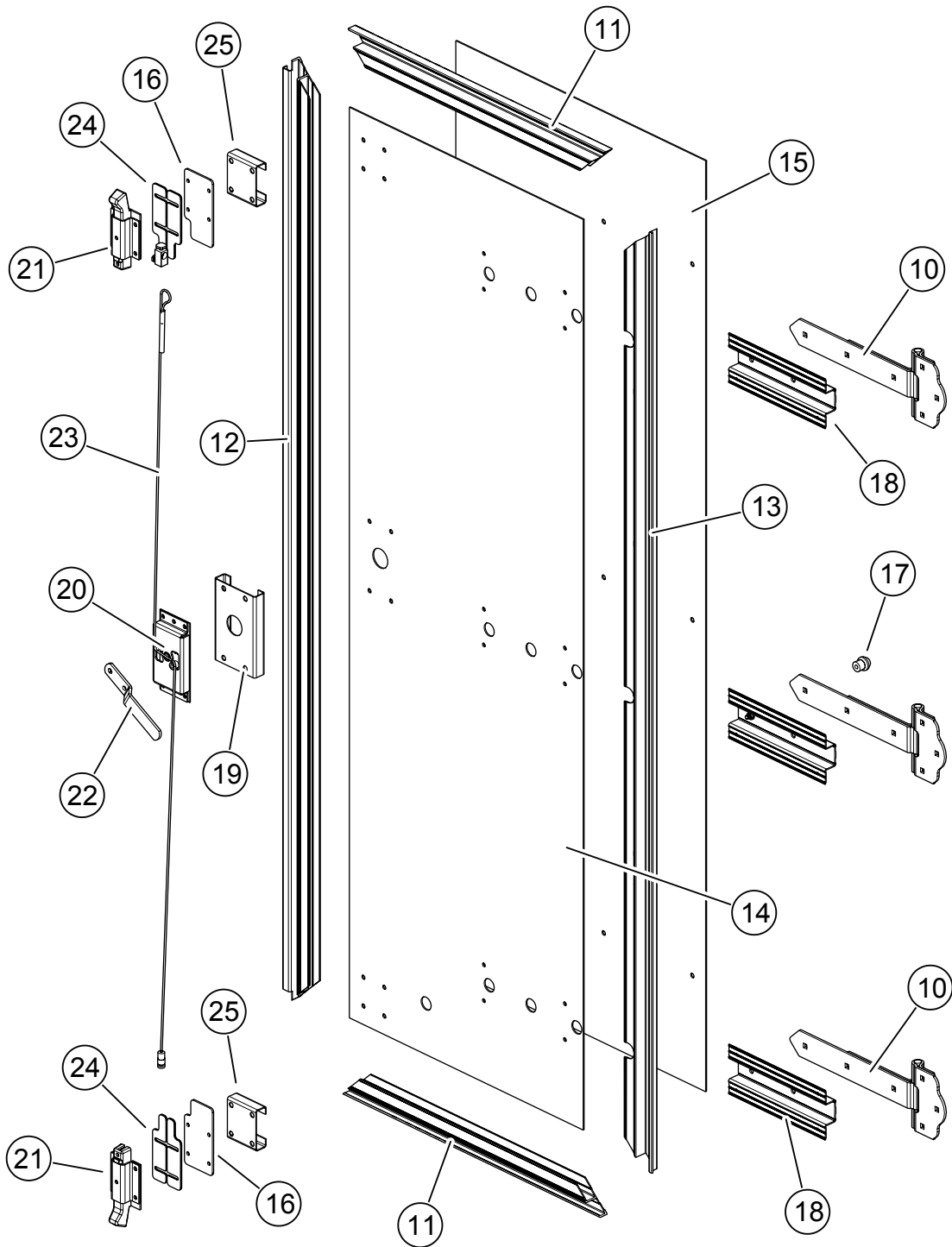
BOM ID	Part Number	Description
0	REFERENCE	58430016-00001b INSTL 3-WAY SW CAB & CARGO
4	11400023	MAGNA-LOC 1/4" STL SHORT (4)
13	06935993	BRACKET 3-WAY SWITCH
14	08612026	GROMMET (1.25 DIA. HOLE)
18	16512507	WIRE CLIP W/ADH
19	16515097	SWITCH DOME
	20512576	ROOF BOW HARNESS 36.00
NS_1	16515134	HARNESS 3-WAY SWITCH

Doors, Rear Swing

Assembly, Driver's Side

57430032-SHS00

Viewed from inside.



Paint code references for body panels:

WHITE: Sherwin-Williams White G2N77175

BROWN: Sherwin-Williams Brown G2N32668

or DuPont Imron Brown 744412-HN

Doors, Rear Swing

Assembly, Driver's Side

57430032-SHS00

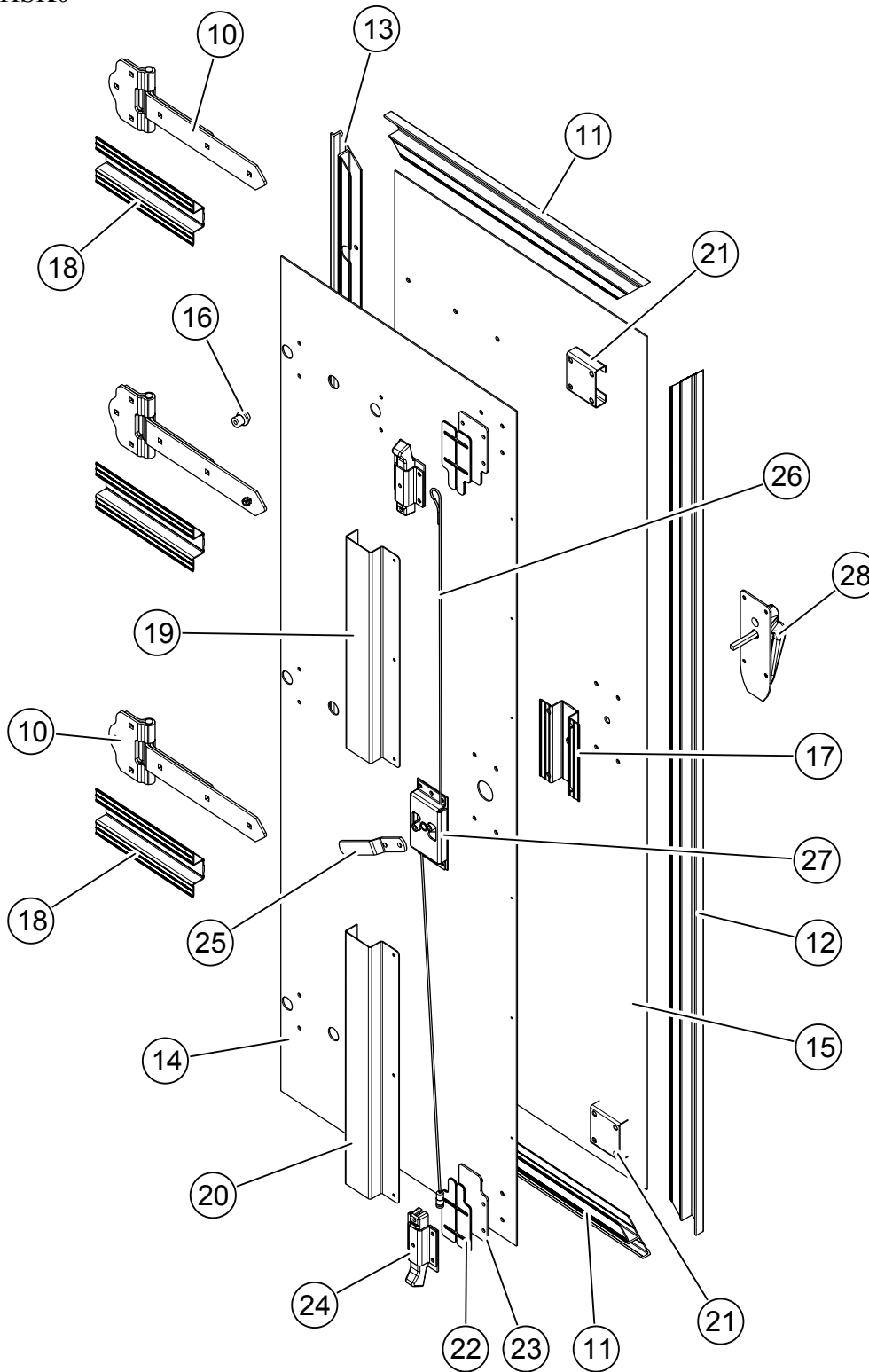
BOM ID	Part Number	Description
0	REFERENCE	57430032-SHS00d DOOR ASSY REAR SWING LH
10	08611951	HINGE 12" AL UTIL W/ZERK
11	06936031-U0000	FRAME SWING DOOR UPR/LWR
12	06936030-UH000	FRAME SWING DOOR INNER LH
13	06936028-UHS0E	FRAME SWING DR OUTER SWG L/R
14	02806680-0HSKL	PANEL DR RR SWG INNER LK LH
15	02806679-WH00L	PANEL DR RR SWG OUTER WHT LH
16	06931892-00013	SHIM PULL SLAM LATCH .125 x 2.75 x 3.5
17	08611172	DOOR HOLDER HARD W/MALE PLUG
18	06936106	SUPPORT DOOR HINGE
19	22823621	BRACKET LATCH HANDLE SUPPORT
20	08700335	LOCK BODY ASSY
21	08700336	CONTROL ASY TONGUE
22	08700337	INSIDE HANDLE
23	08611374	CABLE 91 H REAR DOORS
24	06937670	SHIM PULL SLAM LATCH HALF .063
25	22823620	BRACKET LATCH PLUNGER SUPPORT
NS_1	16510061	TUBE HEAT SHRINK 1/4"
NS_2	08612125	PLUG DOME 1.00 DIA WHITE

Doors, Rear Swing

Assembly, Passenger's Side

57430031-SHSK0

Viewed from inside.



Paint code references for body panels:

WHITE: Sherwin-Williams White G2N77175

BROWN: Sherwin-Williams Brown G2N32668
or DuPont Imron Brown 744412-HN

Doors, Rear Swing

Assembly, Passenger's Side

57430031-SHSK0

BOM ID	Part Number	Description
0	REFERENCE	57430031-SHSK0d DOOR ASSY REAR SWING RH KEY LK
10	08611951	HINGE 12"AL UTIL W/ZERK
11	06936031-U0000	FRAME SWING DOOR UPR/LWR
12	06936029-UH000	FRAME SWING DOOR INNER RH
13	06936028-UHS0E	FRAME SWING DR OUTER SWG L/R
14	02806680-0HSKR	PANEL DR RR SWG INNER LK RH
15	02806679-WH0KR	PANEL DOOR RR SWG OTR WHT RH
16	08611172	DOOR HOLDER HARD W/MALE PLUG
17	06936044	SUPPORT DOOR HANDLE
18	06936106	SUPPORT DOOR HINGE
19	06936056-01800	COVER CABLE 18.00
20	06936056-02150	COVER CABLE 21.50
21	22823620	BRACKET LATCH PLUNGER SUPPORT
22	06937670	SHIM PULL SLAM LATCH HALF .063
23	06931892-00013	SHIM PULL SLAM LATCH .125 x 2.75 x 3.5
24	08700336	CONTROL ASY TONGUE
25	08700337	INSIDE HANDLE
26	08611374	CABLE 91H REAR DOORS
27	08700335	LOCK BODY ASSY
28	REFERENCE	EXTR HANDLE
NS_1	16510061	TUBE HEAT SHRINK 1/4"
NS_2	08612125	PLUG DOME 1.00 DIA WHITE

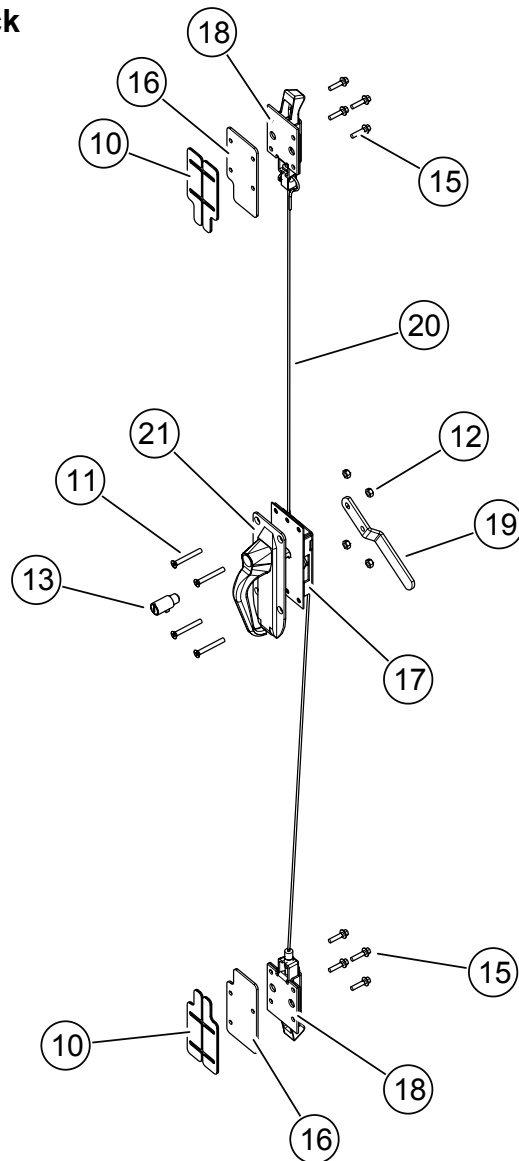
Doors, Rear Swing

Hardware

Black Handle, Key to Lock

64430065-BK000

Viewed from outside.

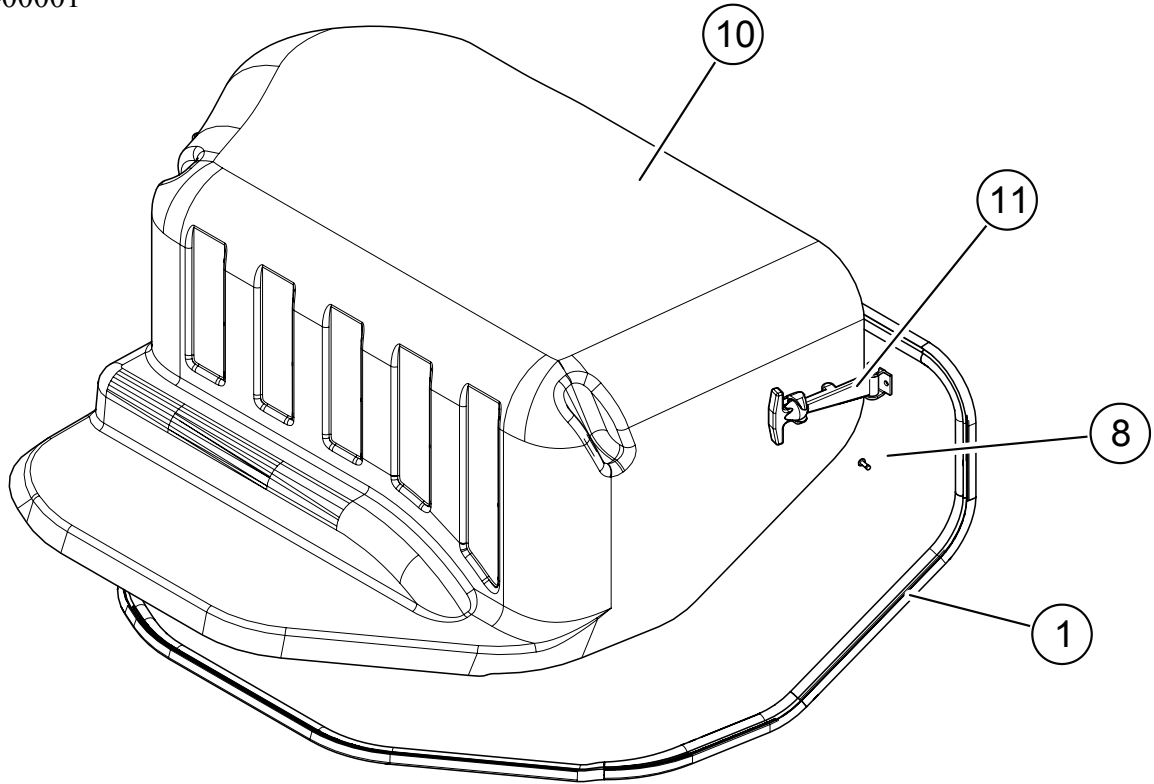


BOM ID	Part Number	Description
0	REFERENCE	64430065-BK000b REAR DOOR LOCK ASY BLACK KEY
10	06937670	SHIM PULL SLAM LATCH HALF
11	11300231	SCREW 1/4-20 x 2 FLPH BO SS
12	11000039	NUT LOCK WXD 1/4-20 2WAY GR5
13	08611793-0000K	CYLINDER REMV KEY LOCK
15	UT29-BB1-004	BOLT M6-1.00 x 25 FLG G8.8 BZ PTCH
16	06931892-00013	SHIM PULL SLAM LATCH .125x 2.75 x 3.5
17	08700335	LOCK BODY ASSY
17_C	08780011	LATCH ASY SLAMLOCK (COMPLETE)
18	08700336	CONTROL ASY TONGUE
19	08700337	INSIDE HANDLE
20	08611374	CABLE 91H REAR DOORS
21	08611792-B213	HANDLE 5/16 x 2.13" BLACK

Engine Cover

Seal and Straps

52431043-00001

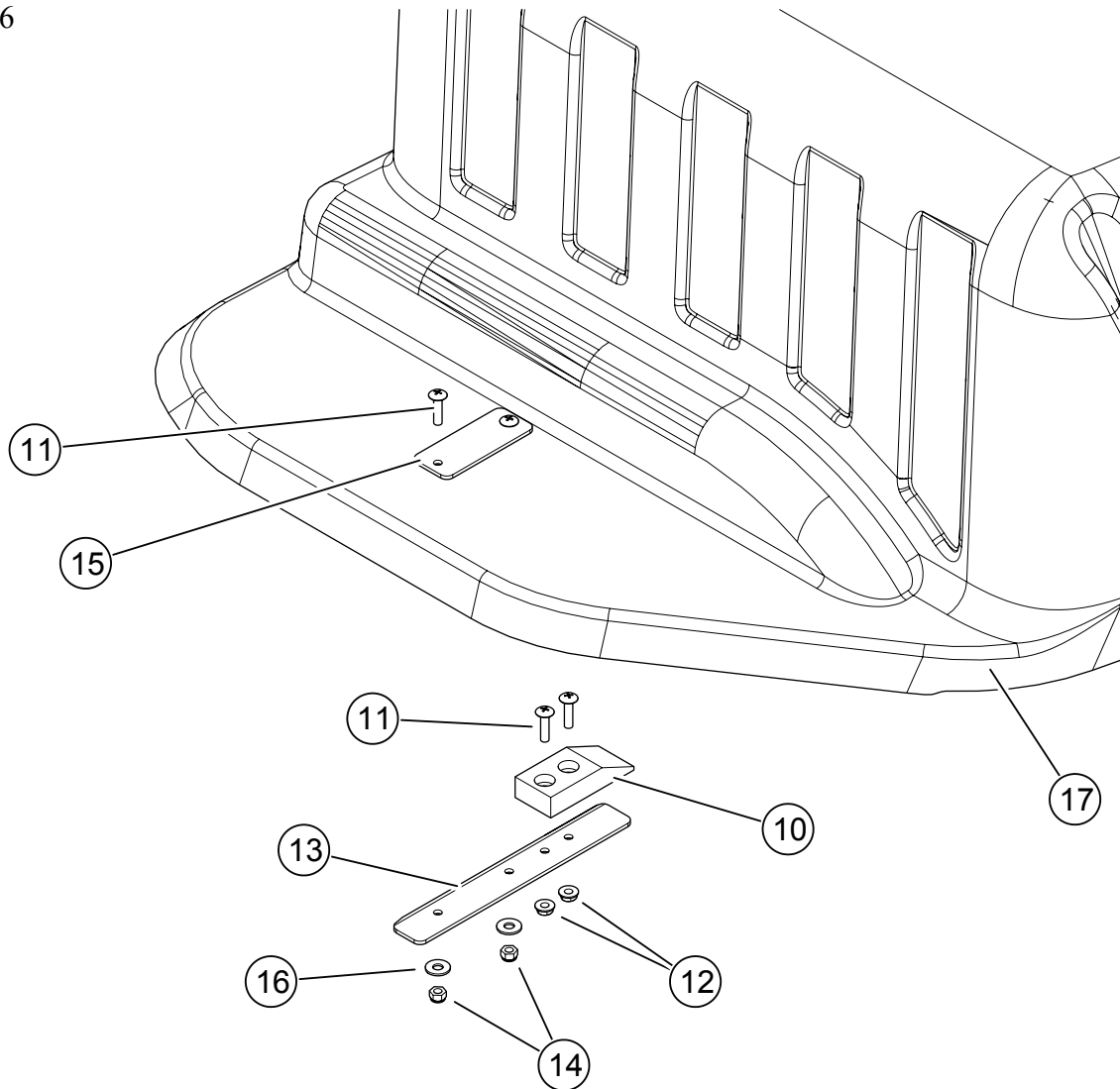


BOM ID	Part Number	Description	Qty
0	REFERENCE	52431043-00001a COVER ASSY ENGINE	
1	05705832	SEAL ENGINE COVER	11ft
8	11600697	MAGNA-LOC 3/16" STL	4
10	20512578	ENGINE COVER	1
11	08610498	LATCH RUBBER "T" HANDLE	2
NS_1	20511513	DEADENER SOUND ENGINE COVER	1

Engine Cover

Rear Hold Down

64431136

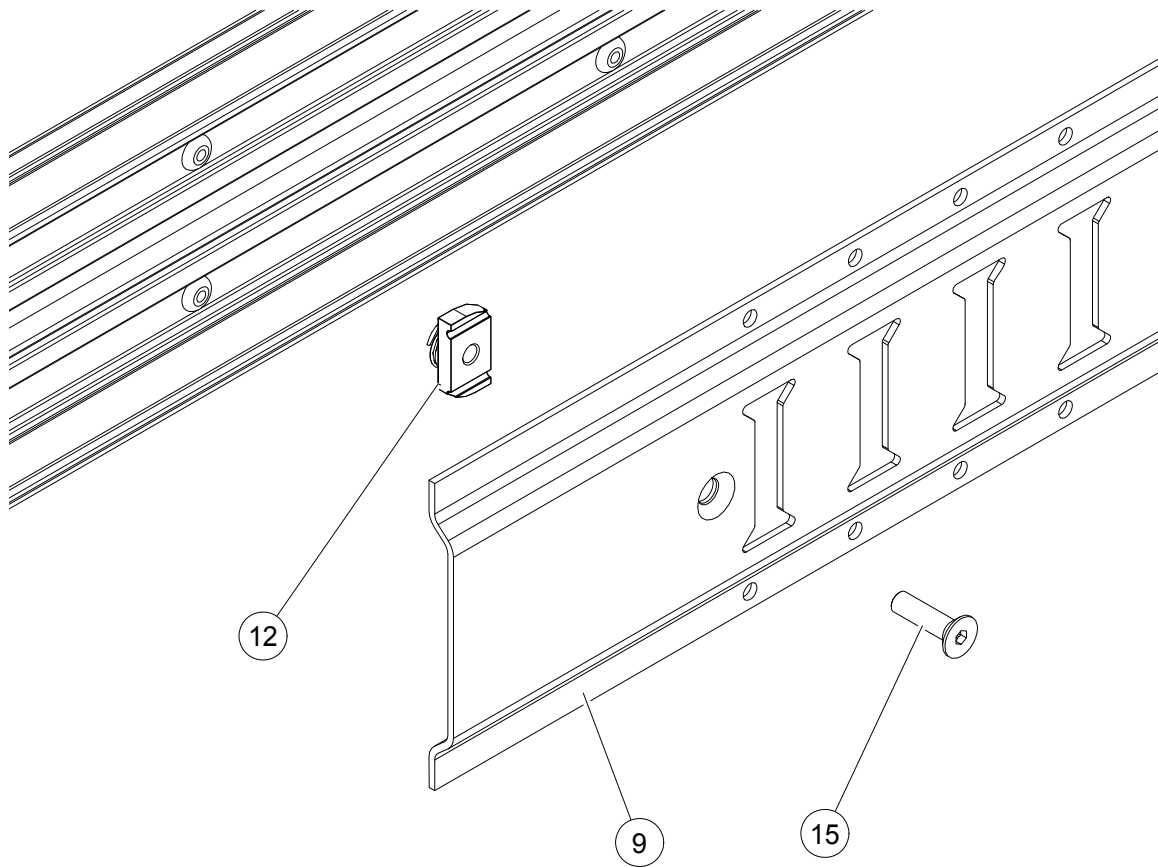


BOM ID	Part Number	Description	Qty
0	64431136SK	64431136a HOLD DOWN ENGINE COVER	1
10	20512795	WEDGE ENGINE COVER	1
11	11305103	SCREW 1/4-20 x 1 PHIL TR MS SS	4
12	11600640	NUT 1/4-20 SERR HX FLG LK	2
13	06940797	BRACKET ENGINE COVER	1
14	11601065	NUT 1/4-20 STAINLESS NYLON LOCK	2
15	06940802	PLATE REINFORCEMENT UPPER	1
16	11008114	WASHER FLAT 1/4	2
17	REFERENCE	ENGINE COVER REMOVALBE	

Order the complete engine hold-down kit 64431136SK.

E-Track

64430057-00E00



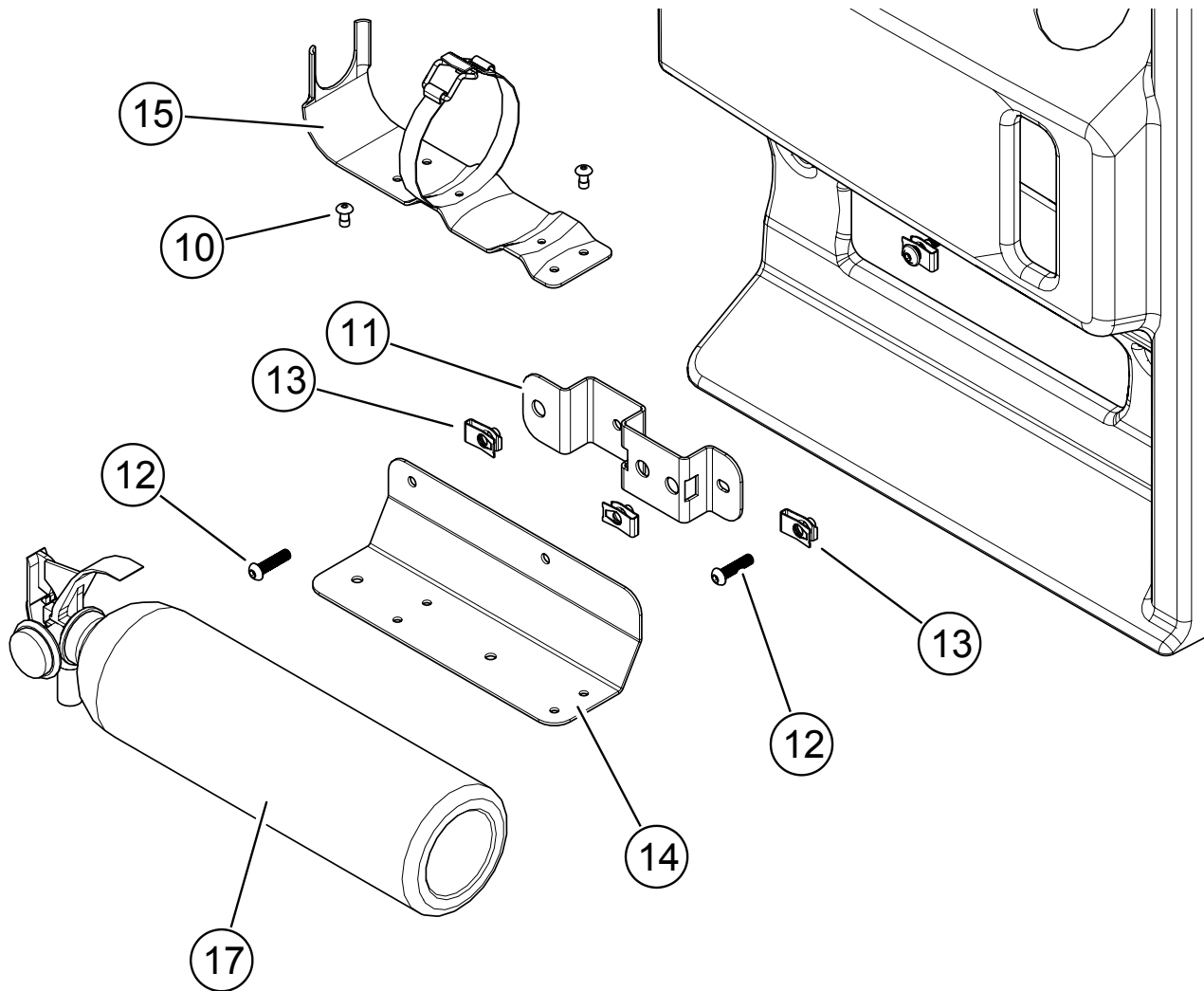
BOM ID	Part Number	Description	Qty
0	REFERENCE	64430057-00E00a E-TRACK INSTALL 14'	
9	08612121-13000	E-TRACK 130.00	2
12	11601277	NUT CHNL M8-1.25 W/SPR	14
15	UT02-BB1-005	SCREW M8-1.25 X 25 FLT HD SCKT PATCH	14

Order the complete 12' E-track upfit kit 64430057-00CSK.

Order the complete 14' E-track upfit kit 64430057-00ESK.

Fire Extinguisher

64430062

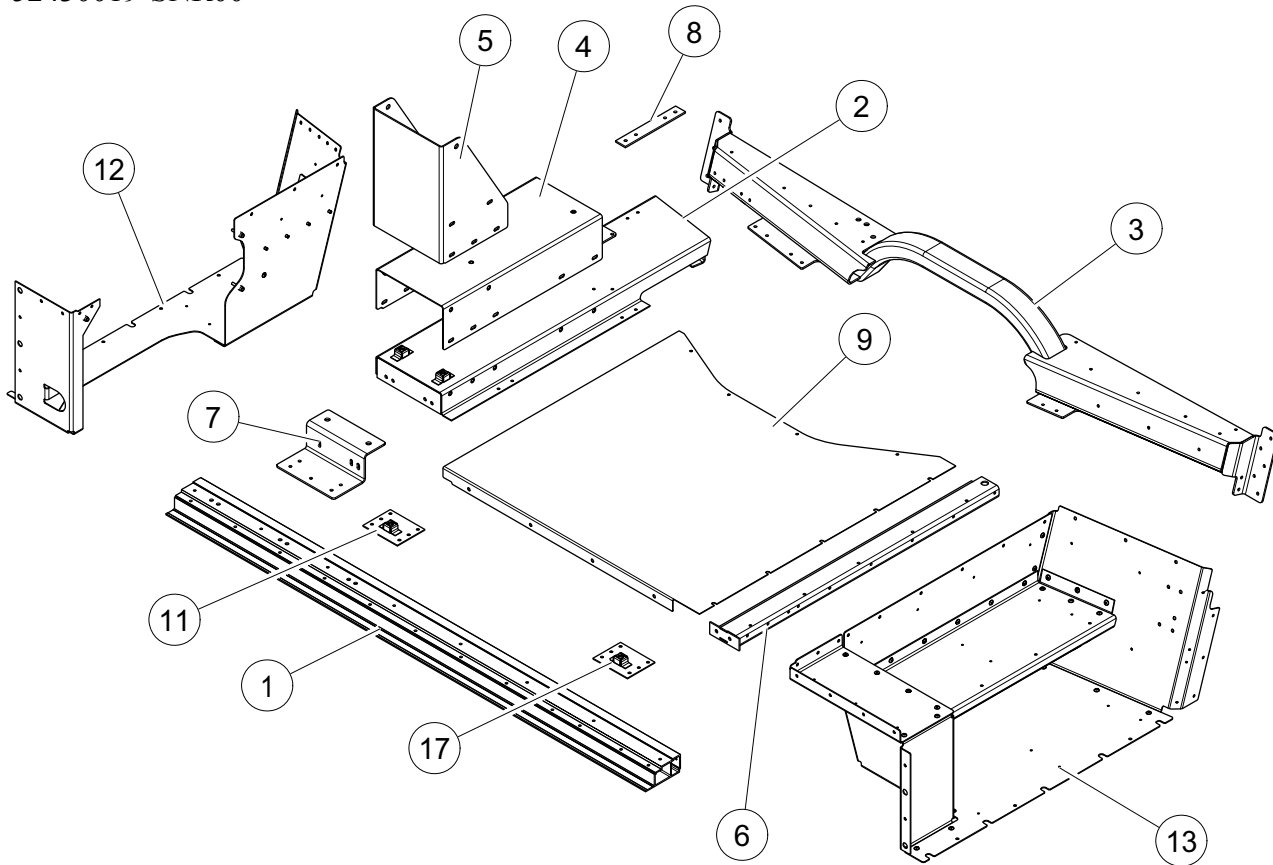


BOM ID	Part Number	Description
0	REFERENCE	64430062g
10	11600750	MAGNA LOK 3/16 STL
11	22825792	BRACKET OFFSET FIRE EXTNGR
12	UT02-BB1-001	SCREW BT FLG SOCK M6-1.0 X 25 SS BLK
13	11601215	U-NUT M6-1.0 .8-2.5G
14	22826674	MNTG BRKT FIRE EXTINGUISHER
15	21313725	BRKT STRAP FIRE EXT MTL
17	21311567	FIRE EXT DISPOSABLE 2.5# ABC

Floor, Cab

Assembly, Standard

52430019-SNR00

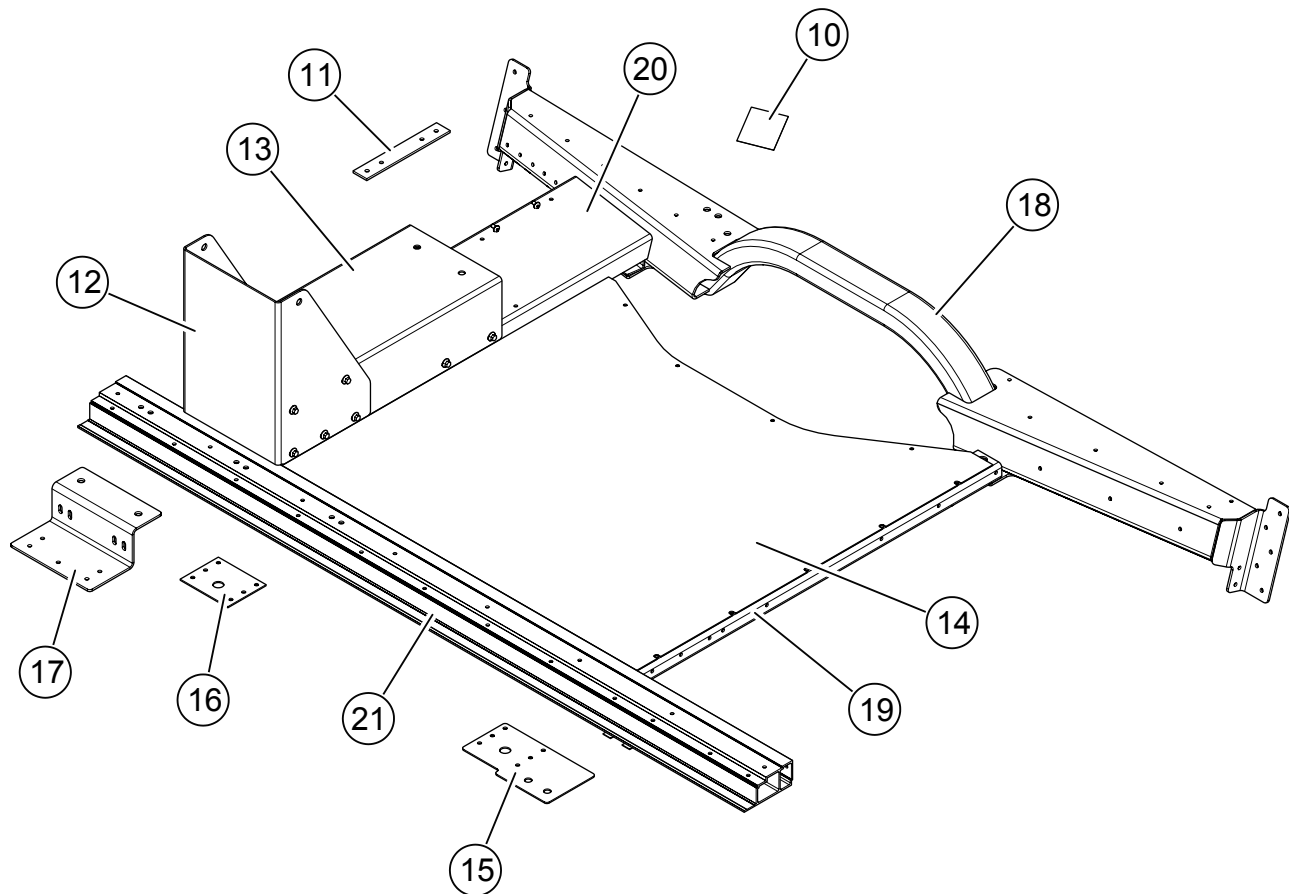


BOM ID	Part Number	Description
0	REFERENCE	52430019-SNR00d FRT FLR ASY SMTH WO/PS W/MAT
1	06935409	SUPPORT CAB FLOOR
2	22823035	PEDESTAL MOUNT WELDMT LH
3	22823041	SUBFRAME 2 BAR ASSY
4	22823048	BRACKET SEAT MOUNT WLDMT
5	22823098	GUSSET TETHER MOUNT
6	22823113	BRACE FLOOR WELDMT
7	22823161	BACK SEAT TETHER
8	22823277	SHIM TOE KICK COVER
9	22823278	COVER TRANSMISSION WLDMT
11	22822783	FLOOR PLATE WELDMENT
12	REFERENCE	SEE STEPWELL SUB ASY LH
13	REFERENCE	SEE STEPWELL SUB ASY RH
17	22823646	PLATE BULKHEAD FLOOR

Floor, Cab

Assembly, Smooth

52431073-S0R00

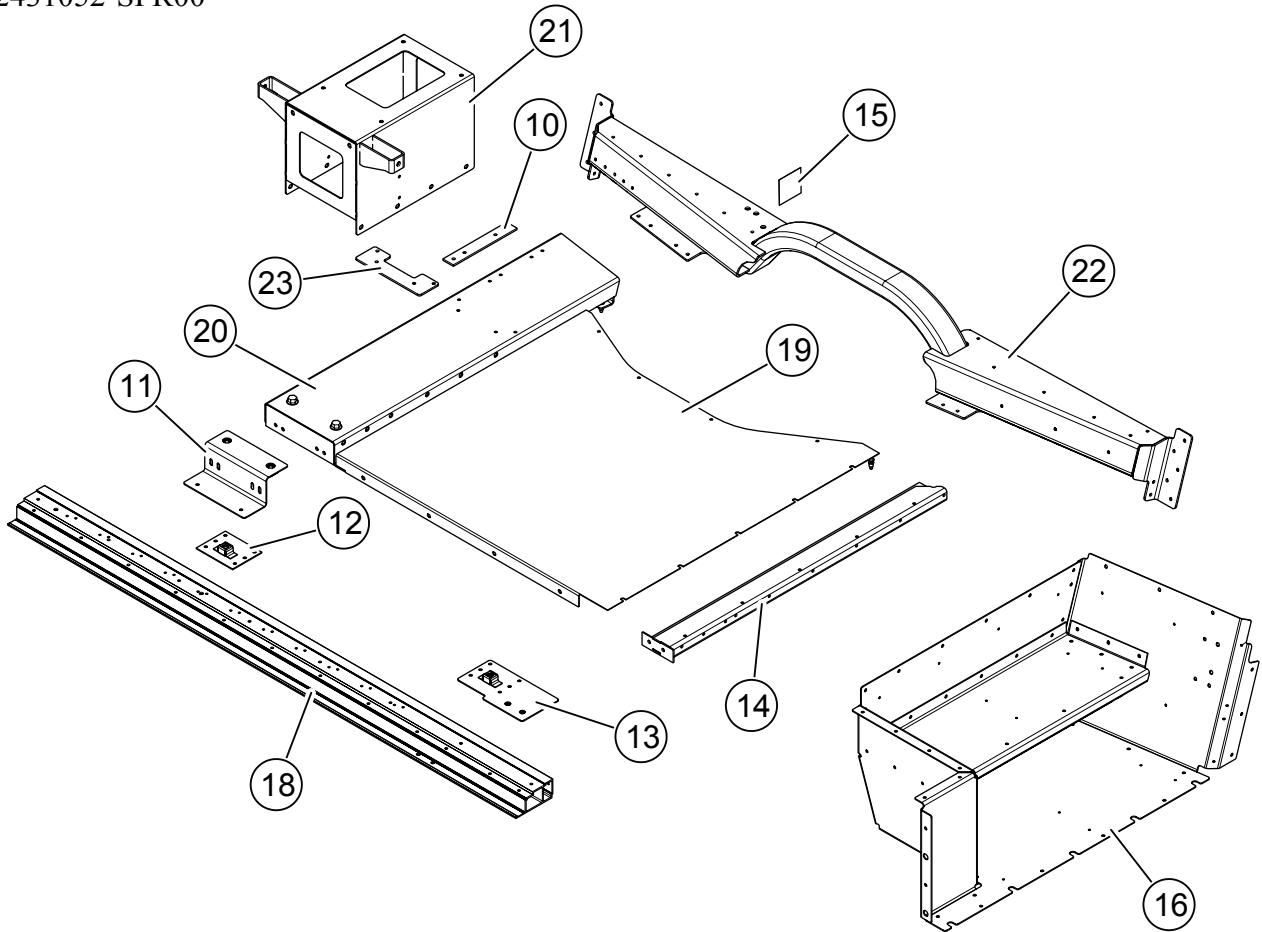


BOM ID	Part Number	Description
0	REFERENCE	52431073-S0R00a FRT FLR ASY SMTH W/MAT
10	REFERENCE	8980675160 LABEL TRANS FLUID
11	22823277	SHIM TOE KICK COVER
12	22823098	GUSSET TETHER MOUNT
13	22823048	BRACKET SEAT MOUNT WLDMT
14	22823278	COVER TRANSMISSION WLDMT
15	22823646	PLATE BULKHEAD FLOOR
16	22822783	FLOOR PLATE WELDMENT
17	22823161	BRACKET SEAT TETHER
18	22823041	SUBFRAME 2 BAR ASSY
19	22823113	BRACE FLOOR WELDMT
20	22823035	PEDESTAL MOUNT WELDMT LH
21	06935409	SUPPORT CAB FLOOR
NS_1	12303705	TAPE VINYL 3" WHITE

Floor, Cab

Assembly, Parcel

52431052-SPR00

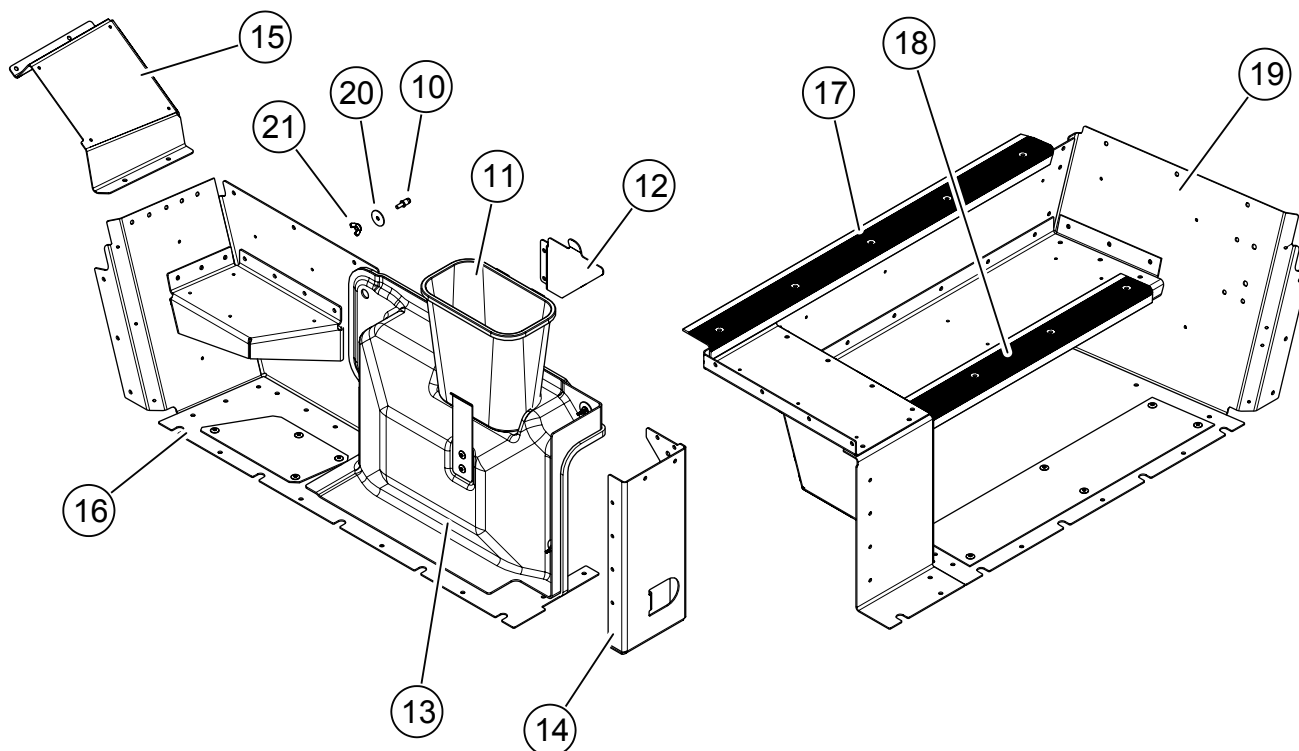


BOM ID	Part Number	Description
0	REFERENCE	52431052-SPR00f FRT FLR ASSY WO/PS W/MAT
10	22823277	SHIM TOE KICK COVER
11	22825631	SEAT TETHER WELDMENT
12	22822783	FLOOR PLATE WELDMENT
13	22823646	PLATE BULKHEAD FLOOR
14	22823113	BRACE FLOOR WELDMT
15	REFERENCE	8980675160 TRANS FLUID DECAL
16	REFERENCE	52430015 STEPWELL ASY RH SMOOTH
18	06935409	SUPPORT CAB FLOOR
19	06937334	COVER TRANSMISSION WLDMT ALUM
20	22825525	PEDESTAL MOUNT WELDMT UNV
21	22825597	SEAT MOUNT ASSY
22	22823041	SUBFRAME 2 BAR ASSY
23	22825657	CLOSE-OUT PLATE
NS_1	12303705	TAPE VINYL 3" WHITE

Cab Floor

Cab Trim Panels, Driver's and Passenger's Yellow

52431070-Y0000

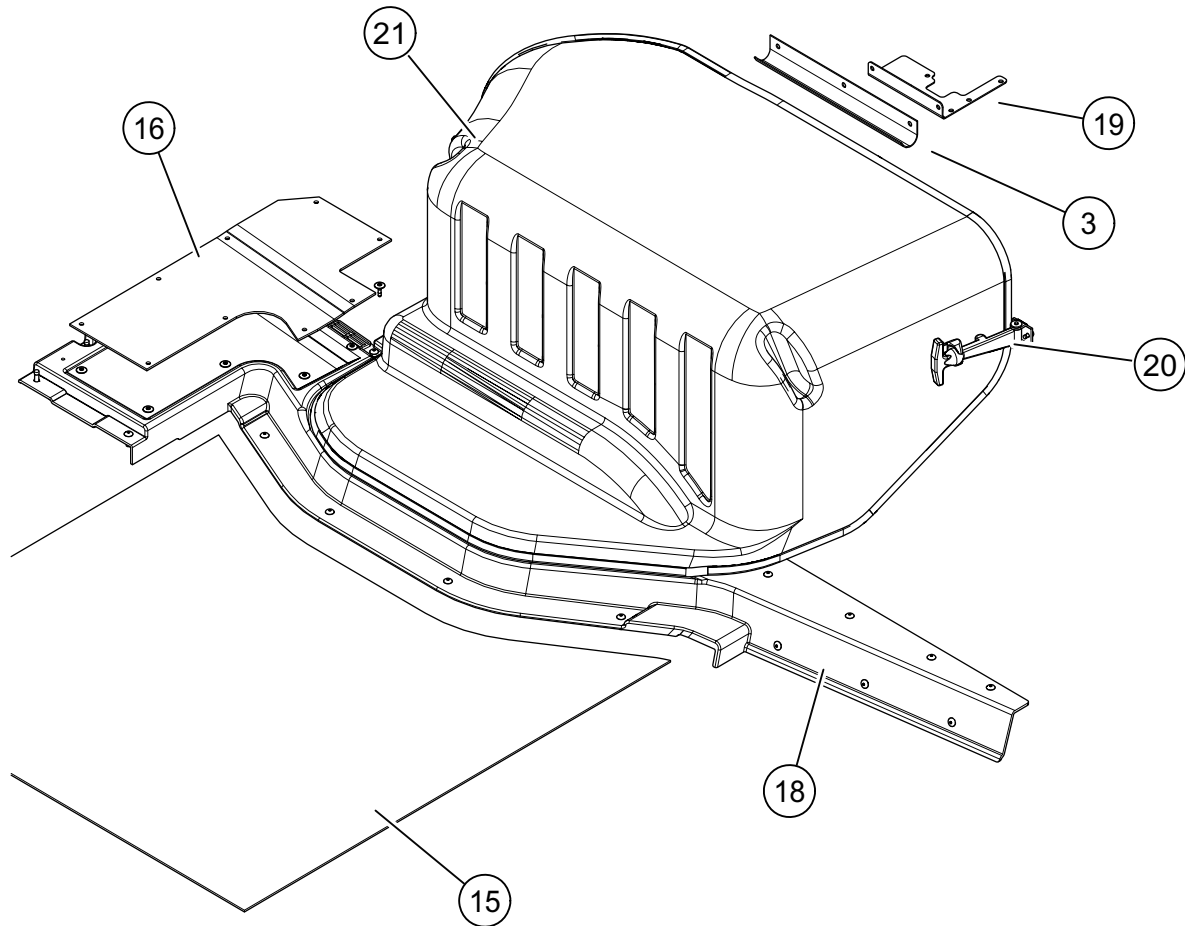


BOM ID	Part Number	Description
0	REFERENCE	52431070-Y0000a CAB INT LWR RH/LH YEL W/O PS SEAT
10	11601255	STUD THREADED 6MM
11	21310434	BASKET WASTE W/HOOKS
12	06934600	RETAINER WASTE BASKET
13	REFERENCE	52430030 COVER ASSY BATTERY BOX
14	06939168	REAR RISER STEPWELL LH
15	06938584-B0000	REST DEAD PEDAL BLACK
16	REFERENCE	06939341 STEPWELL LH
17	06935188	CAP UPPER STEP RH
18	06934450	CAP MID STEP RH
19	REFERENCE	06939340 STEPWELL RH
20	11600976	WASHER NYLON 1.25 OD x .281 ID x .063 BLK
21	11601256	NUT WING M6 BLK NYLON

Floor, Cab

Center Mat

52431044-00001

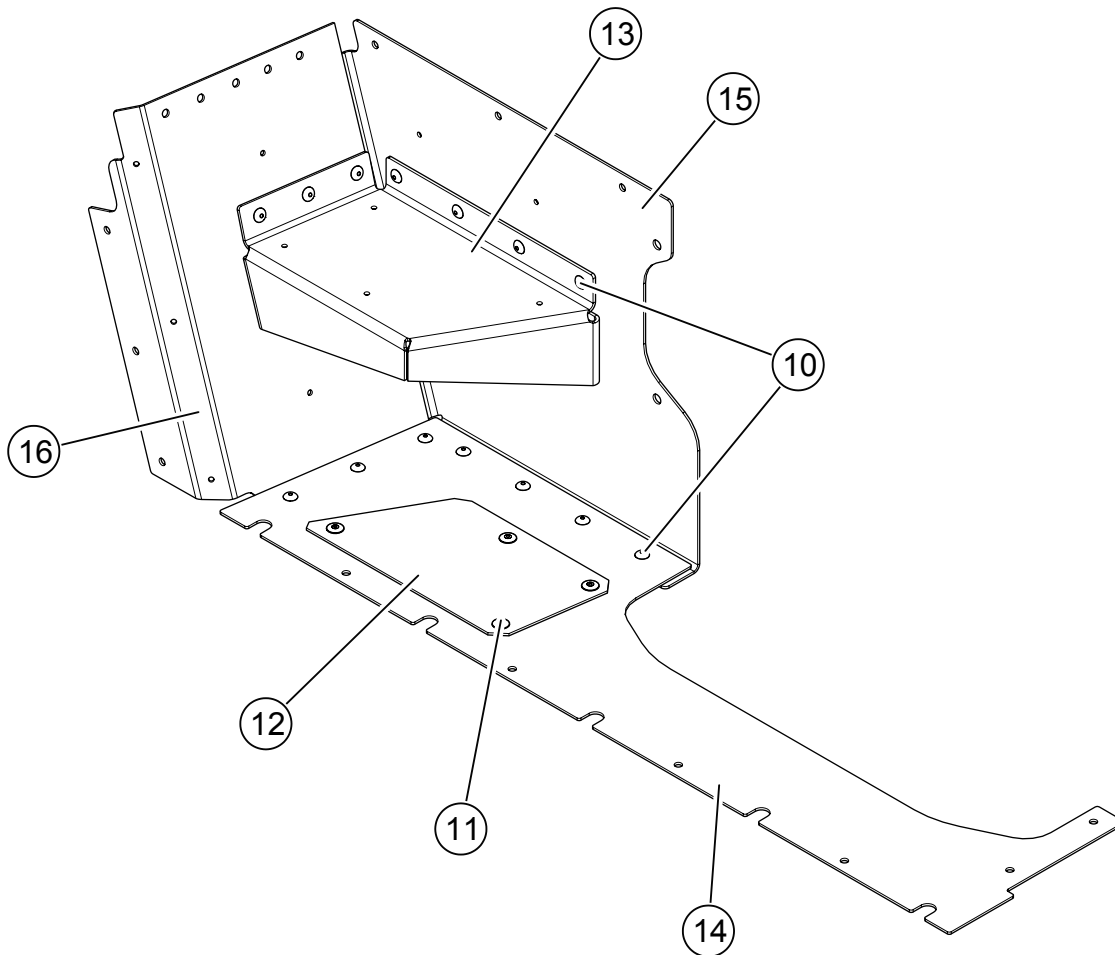


BOM ID	Part Number	Description
0	REFERENCE	52431044-00001f CAB INT LOWER CTR
3	06934582	BRACKET ENGINE CVR RETENTION UPR
15	14201169	MAT CAB FRONT FLOOR CENTER
16	14202264	MAT CAB FRT FLOOR DRIVER
18	20512601	COVER FLOOR TRIM
19	22822881	BRACKET WATER CONTROL VALVE
20	08610498	LATCH RUBBER "T" HANDLE
21	REFERENCE	ENG CVR ASSY

Floor, Cab

Stepwell, Driver's Side

06939341-Y0000

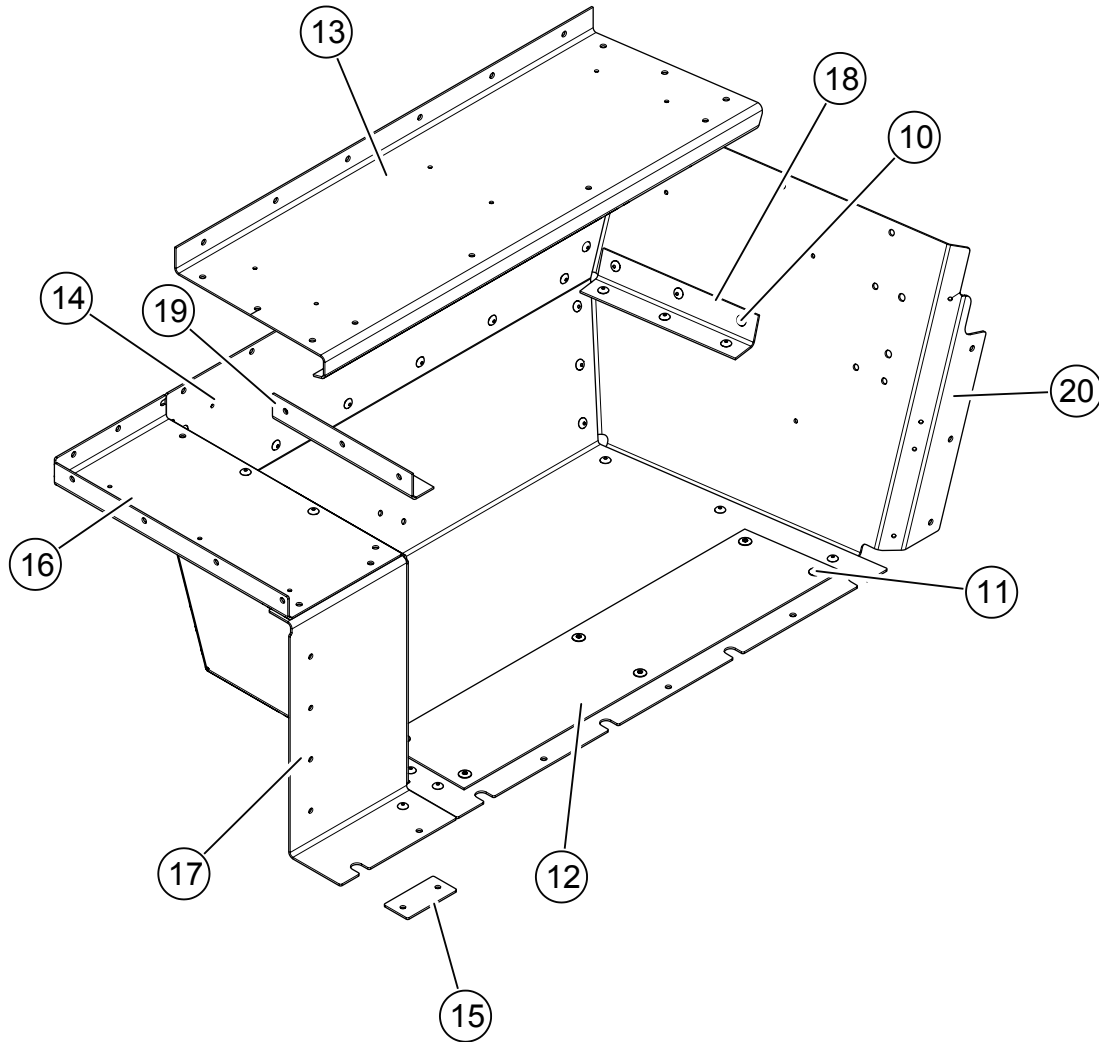


BOM ID	Part Number	Description	Qty
0	REFERENCE	06939341-Y0000a STEPWELL LH YLW BLK STEP	
10	11400023	MAGNA-LOC 1/4" STL SHORT	16
11	11401222	RIVET BLK 3/16 x 1/4-1/2	4
12	06938435-Y0000	TREAD LOWER STEP LH YELLOW	1
13	06938588-Y0000	STEP MID LH YELLOW	1
14	06939169	BOTTOM STEPWELL LH	1
15	06936125	RISER SIDE STEP WELL LH	1
16	06936124	RISER FRONT STEP WELL LH	1

Floor, Cab

Stepwell, Passenger's Side

06939340-Y0000

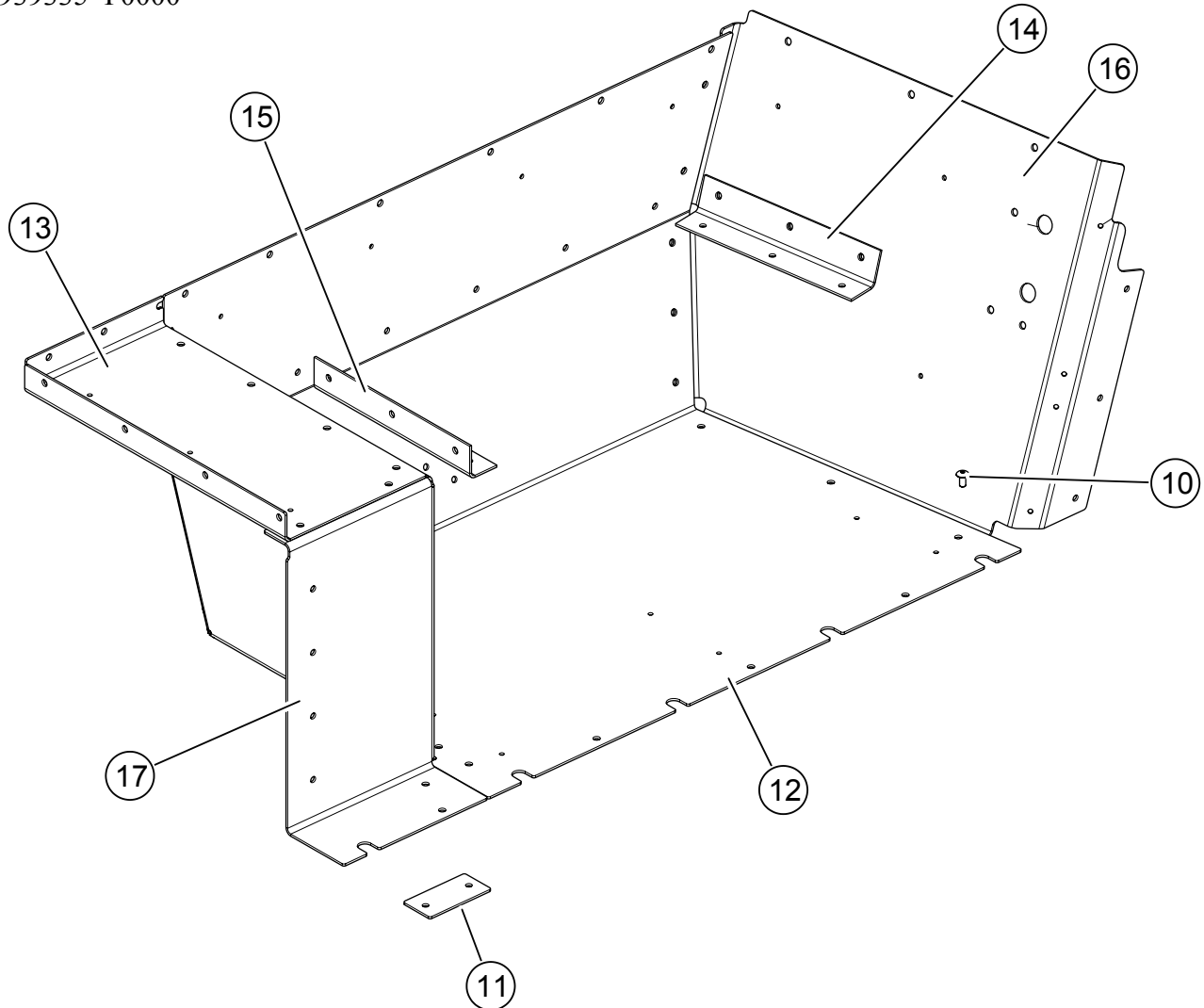


BOM ID	Part Number	Description	Qty
0	REFERENCE	06939340-Y0000a STEPWELL RH YLW STEP	
10	11400023	MAGNA-LOC 1/4" STL SHORT	38
11	11401222	RIVET BLK 3/16 x 1/4-1/2	6
12	06938436-Y0000	TREAD STEP RH YELLOW	1
13	06939334-Y0000	STEP MID RH COATED YLW	1
14	06939165	STEP WELL RH SMOOTH	1
15	06939190	SUPPORT STEPWELL	1
16	06939164	COVER STEP WELL RH	1
17	06939163	PANEL STEP WELL REAR RH	1
18	06935087	BRACE STEP WELL FRONT RH	1
19	06935088	BRACE STEP WELL REAR RH	1
20	06933695	STEP WELL FRONT RH	1

Floor, Cab

Stepwell, Passenger's Side Coated

06939335-Y0000

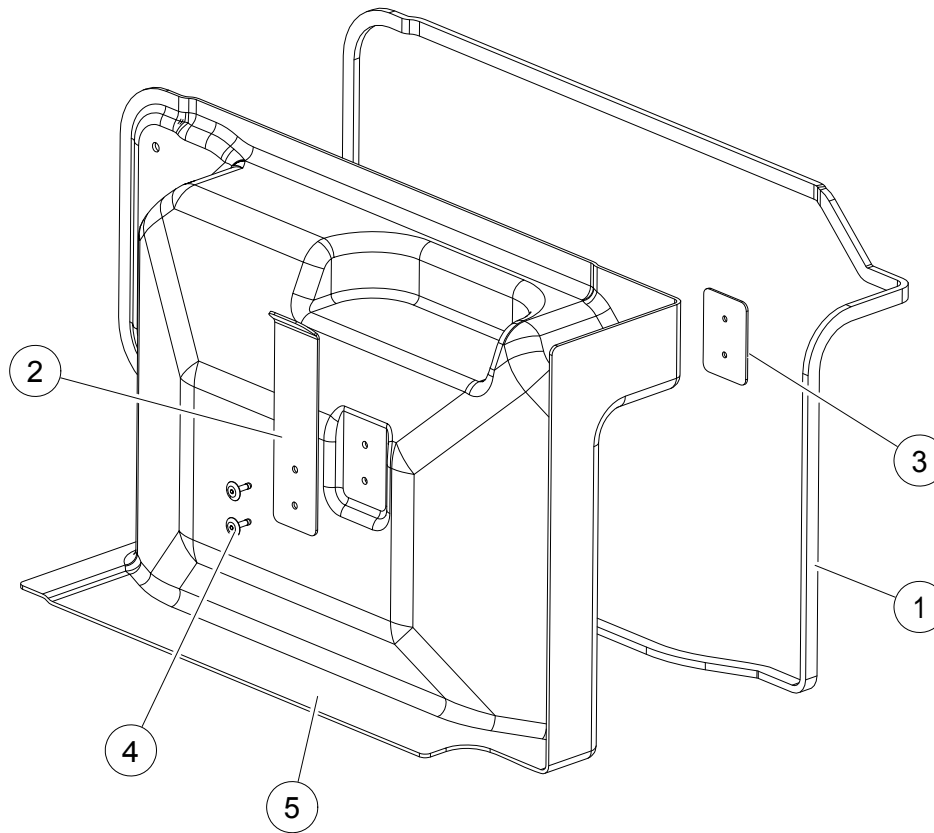


BOM ID	Part Number	Description	Qty
0	REFERENCE	06939335-Y0000b STEPWELL RH YELLOW	
10	11400023	MAGNA-LOC 1/4" STL SHORT	26
11	06939190	SUPPORT STEPWELL	1
12	06939165	STEP WELL RH SMOOTH	1
13	06939164	COVER STEP WELL RH	1
14	06935087	BRACE STEP WELL FRONT RH	1
15	06935088	BRACE STEP WELL REAR RH	1
16	06933695	STEP WELL FRONT RH	1
17	06939163	PANEL STEP WELL REAR RH	1

Floor, Cab

Stepwell Battery Box Cover

52430030-00001

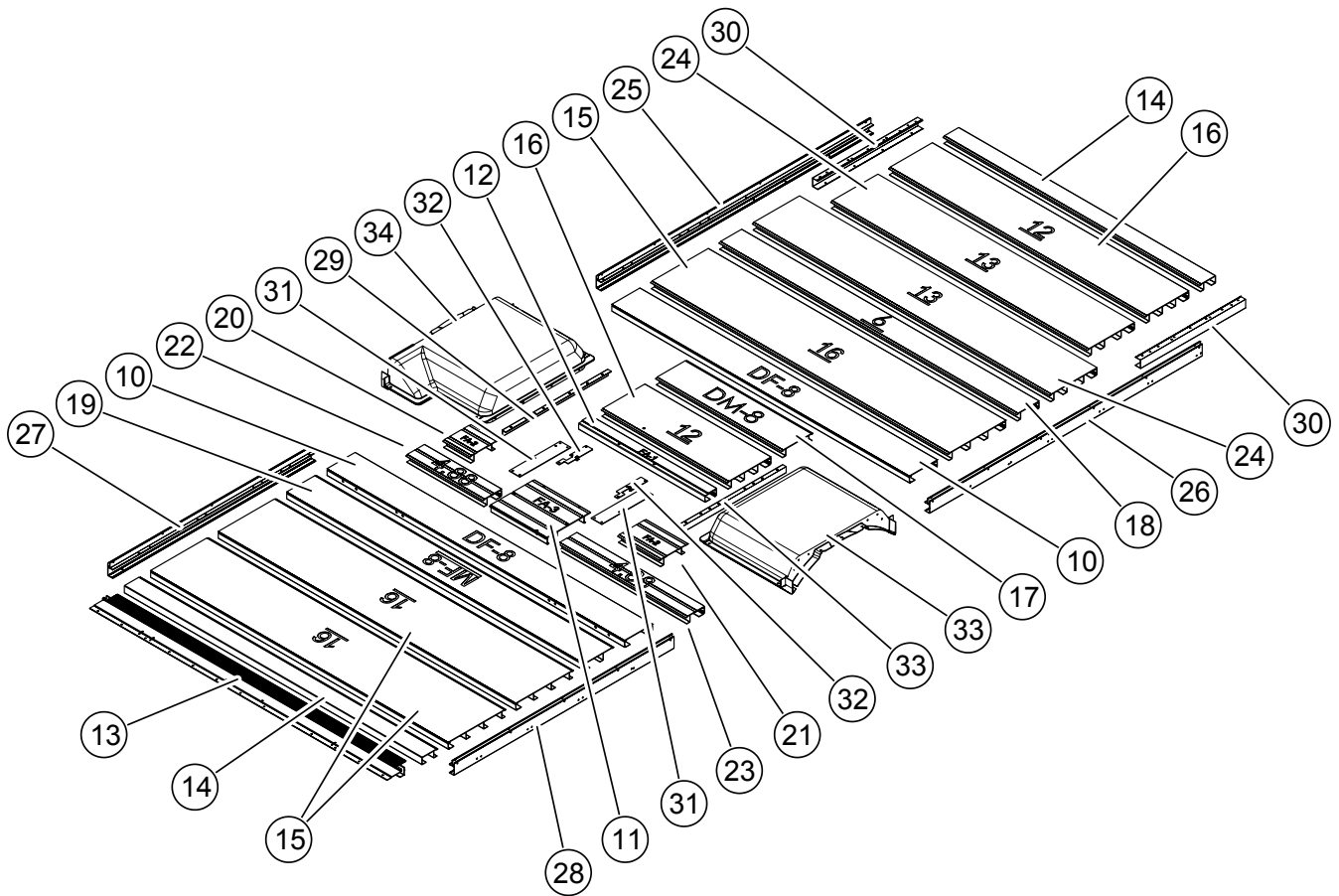


BOM ID	Part Number	Description	Qty
0	REFERENCE	52430030a COVER ASSY BATTERY BOX	
1	05705872-08500	SEAL BATTERY BOX COVER 85.0	1
2	06934601	CLIP WASTE BASKET RETAINER	1
3	06935814	BACKER WASTE BASKET RETAINER	1
4	11401216	RIVET 3/16 x 1/4-1/2	2
5	20511362	COVER BATTERY BOX	1

Floor, Cargo

Assembly, V1

52431059-E151RA



NOTE: "V1" represents options that were installed earlier in 2015 and "V2" are variations of those same options installed later in the year.

Floor, Cargo

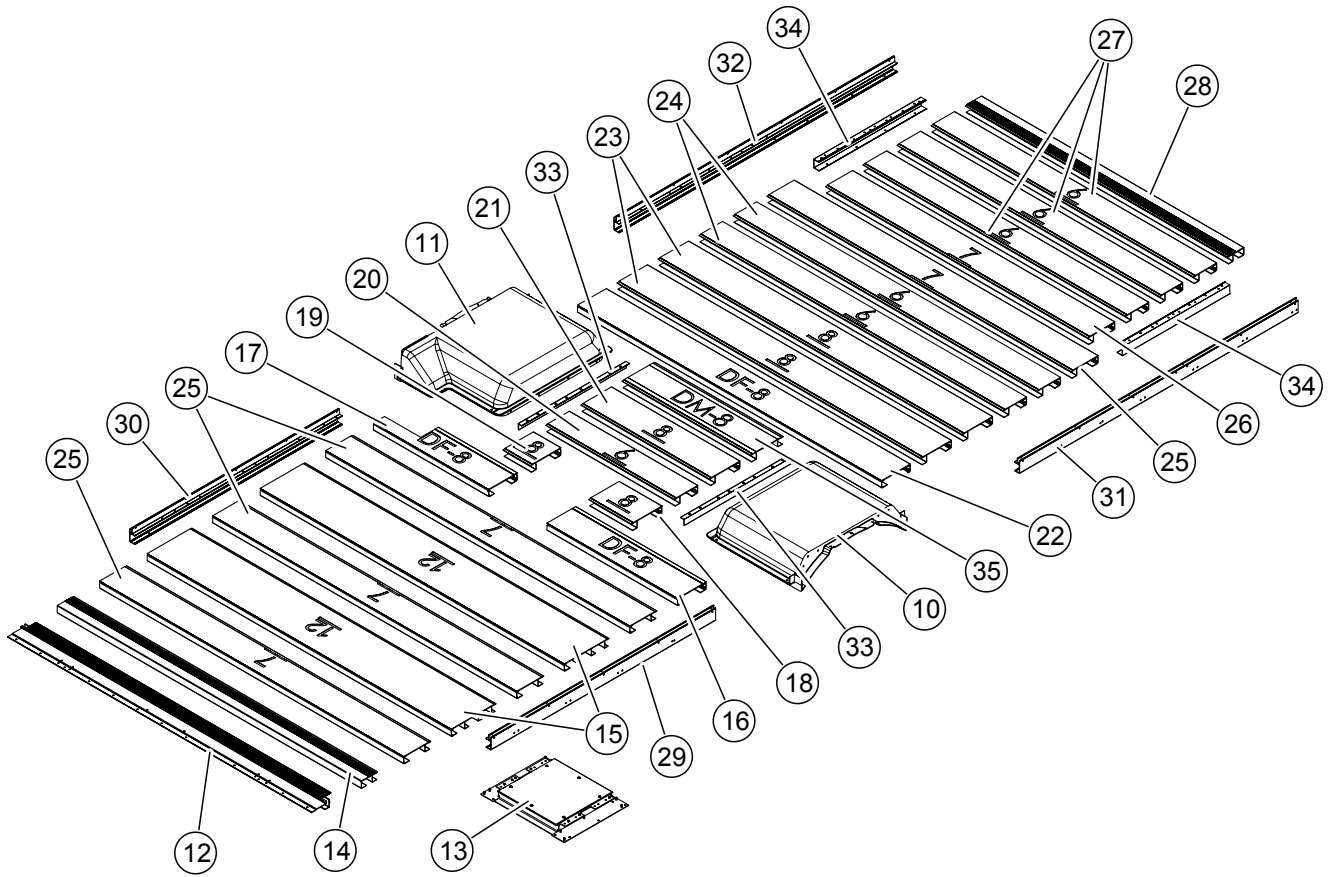
Assembly, V1

52431059-E151RA

BOM ID	Part Number	Description	Qty
0	REFERENCE	52431059-E151RAa EXTRUDED FLR ASSEMBLY 14'	
10	06002291-08463	FLOOR RIBBED DF-8 x 84.63	2
11	06938536	FLOOR ACCESS REMOVABLE	1
12	06938533	FLOOR ACCESS FIXED END 35.88	1
13	06939096-0000A	REAR THRESHOLD FLOOR W/ NO LOCK	1
14	06002295-08463	FLR RIB STR/FINISH x 84.6	2
15	06002294-08463	FLOOR RIBBED 16 x 84.63	3
16	06002293-07300	FLOOR RIBBED 12 x 73.00	2
17	06002292-03588	FLOOR RIBBED DM-8 x 35.88	1
18	06002290-08463	FLOOR RIBBED 6 x 84.63	1
19	06002281-08463	FLOOR RIBBED 8-MF x 84.63	1
20	06002279-00769	FLOOR RIBBED FA-2 x 7.69	1
21	06002279-01194	FLOOR RIBBED FA-2 x 11.94	1
22	06002275-02194	FLOOR RIBBED 4.88 x 21.94	1
23	06002275-03631	FLOOR RIBBED 4.88 x 36.31	1
24	06002274-08463	FLOOR RIBBED 13 x 84.63	2
25	06938999-LFD151	TRACK FLOOR LH FRONT 151 12'/14'	1
26	06938999-RFD151	TRACK FLOOR RH FRONT 151 12'/14'	1
27	06938999-LRE151	TRACK FLOOR LH REAR 151 14'	1
28	06938999-RRE151	TRACK FLOOR RH REAR 151 14'	1
29	06938457	WW/FLOOR 30.00 W/HOLES	2
30	06938455	DP/FLOOR 29.88" W/HOLES	2
31	06938541	BRACKET FLOOR ACCESS BOTTOM	2
32	06938540	BRACKET FLOOR ACCESS TOP	2
33	20511216	WHEELWELL REAR RH	1
34	20511215	WHEELWELL REAR LH	1

Floor, Cargo

Assembly, V2 52431076-E151RA



NOTE: "V1" represents options that were installed earlier in 2015 and "V2" are variations of those same options installed later in the year.

Floor, Cargo

Assembly, V2

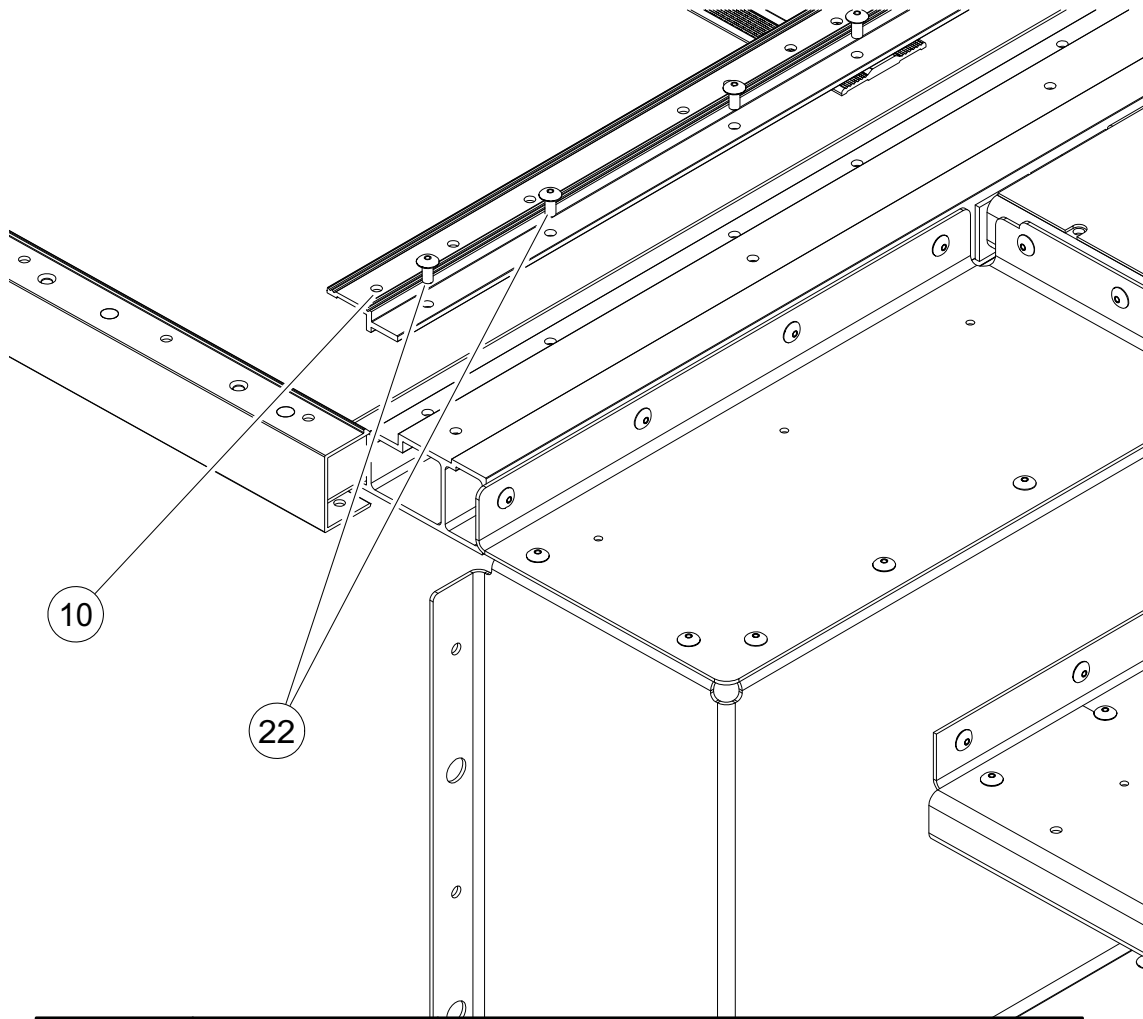
52431076-E151RA

BOM ID	Part Number	Description
0	REFERENCE	52431076-E151RAb RIBBED FLOOR ASSY 14'
10	20511216	WHEELWELL REAR RH
11	20511215	WHEELWELL REAR LH
12	06939096-0000A	REAR THRESHOLD FLOOR
13	REFERENCE	52431048 SENDING UNIT ACCESS ASSY
14	06001183-08463	START/FINISH RIB FLR 84.63
15	06001122-08463	FLOOR RIBBED 12" 84.63
16	06000741-03631	FLOOR RIBBED 8" DBLFM 36.31
17	06933686	FLR PLANK 8" NTCH 32.06 06000741
18	06000740-01188	FLOOR RIBBED 8" 11.88
19	06000740-00763	FLOOR RIBBED 8" 7.63
20	06000738-03575	FLOOR RIBBED 6" 35.75
21	06000740-03575	FLOOR RIBBED 8" 35.75
22	06000741-08463	FLOOR RIBBED 8" DBLFM 84.63
23	06000740-08463	FLOOR RIBBED 8" 84.63
24	06000738-08463	FLOOR RIBBED 6" 84.63
25	06000739-08463	FLOOR RIBBED 7" 84.63
26	06000739-07300	FLOOR RIBBED 7" 73.00
27	06000738-07300	FLOOR RIBBED 6" 73.00
28	06941196	PLANK START CARGO FLOOR
29	06940073-RRE151	TRACK FLOOR RH REAR 151
30	06940073-LRE151	TRACK FLOOR LH REAR 151
31	06940073-RFD151	TRACK FLOOR RH FRONT 151
32	06940073-LFD151	TRACK FLOOR LH FRONT 151
33	06935476	ANGLE .125" x 1.00 x 1.50 x 30.00 W/HOLES
34	06940082	DP/FLOOR 29.88" W/HOLES 06000185
35	06000742-03575	FLOOR RIBBED DBLML 35.75

Floor, Cargo

Floor Support

06935545

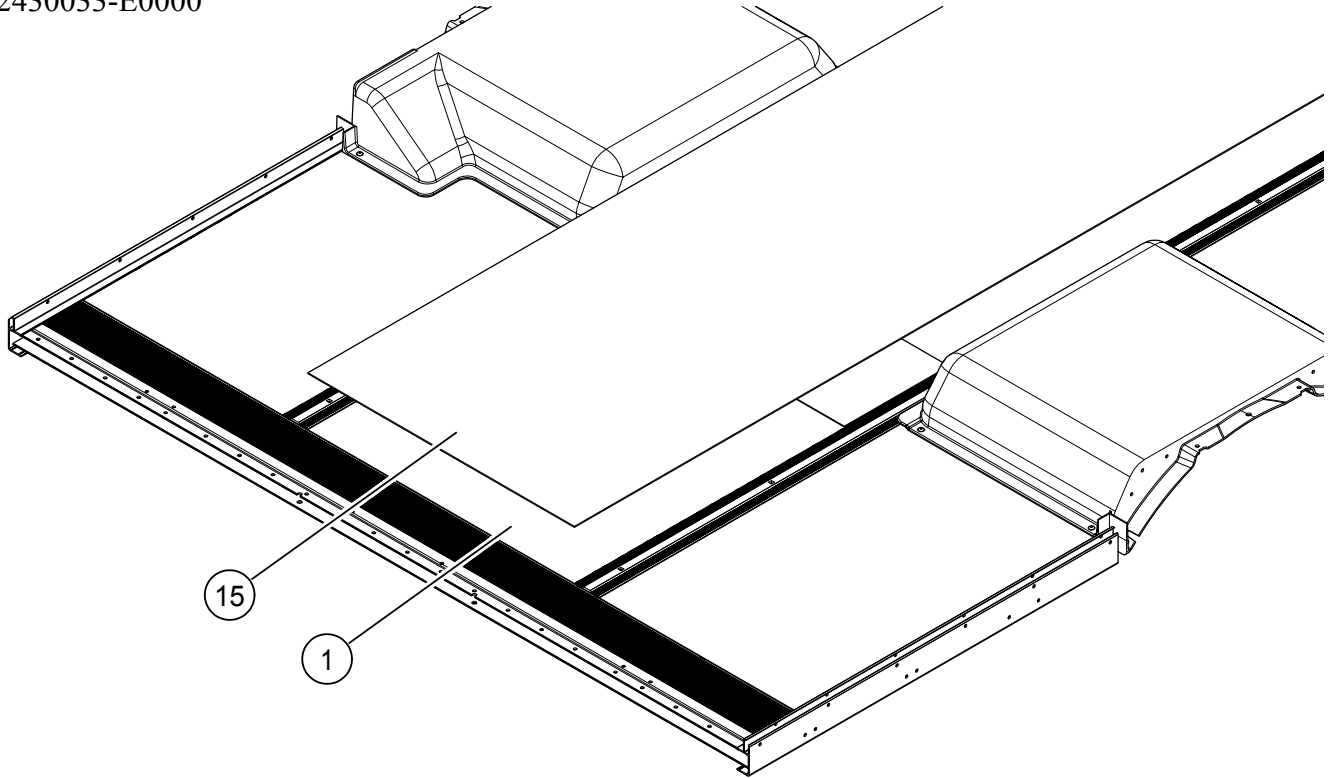


BOM ID	Part Number	Description
0	REFERENCE	06935545c SUPPORT CARGO FLOOR
10	06935545	SUPPORT CARGO FLOOR
22	11400023	MAGNA-LOC 1/4" STL SHORT

Floor, Cargo

Floor Matting

52430033-E0000



BOM ID	Part Number	Description
0	REFERENCE	52430033-E0000b CARGO FLOOR MATTING INSTALL 14'
1	REFERENCE	FLOOR ASSY 14'
15	14202262	RUBBER FLOOR MAT RIBBED (14 SQ FT)
NS_1	12607221	ADHESIVE 375ML CARTRIDGE (4 REQUIRED)

Grille and Front Fenders

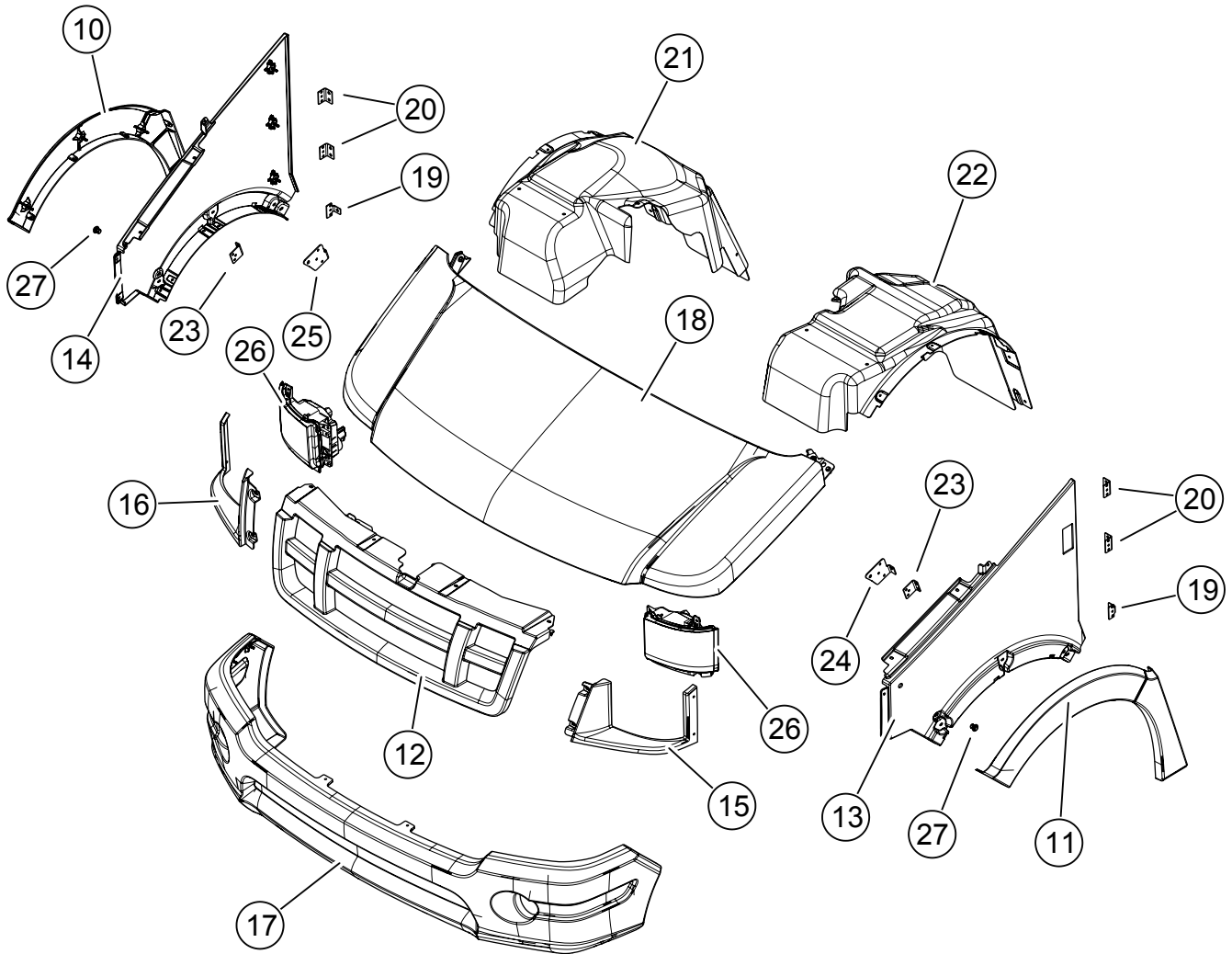
Assembly

51431048-S0000

Paint code references for body panels:

WHITE: Sherwin-Williams White G2N77175

BROWN: Sherwin-Williams Brown G2N32668
or DuPont Imron Brown 744412-HN



Grille and Front Fenders

Assembly

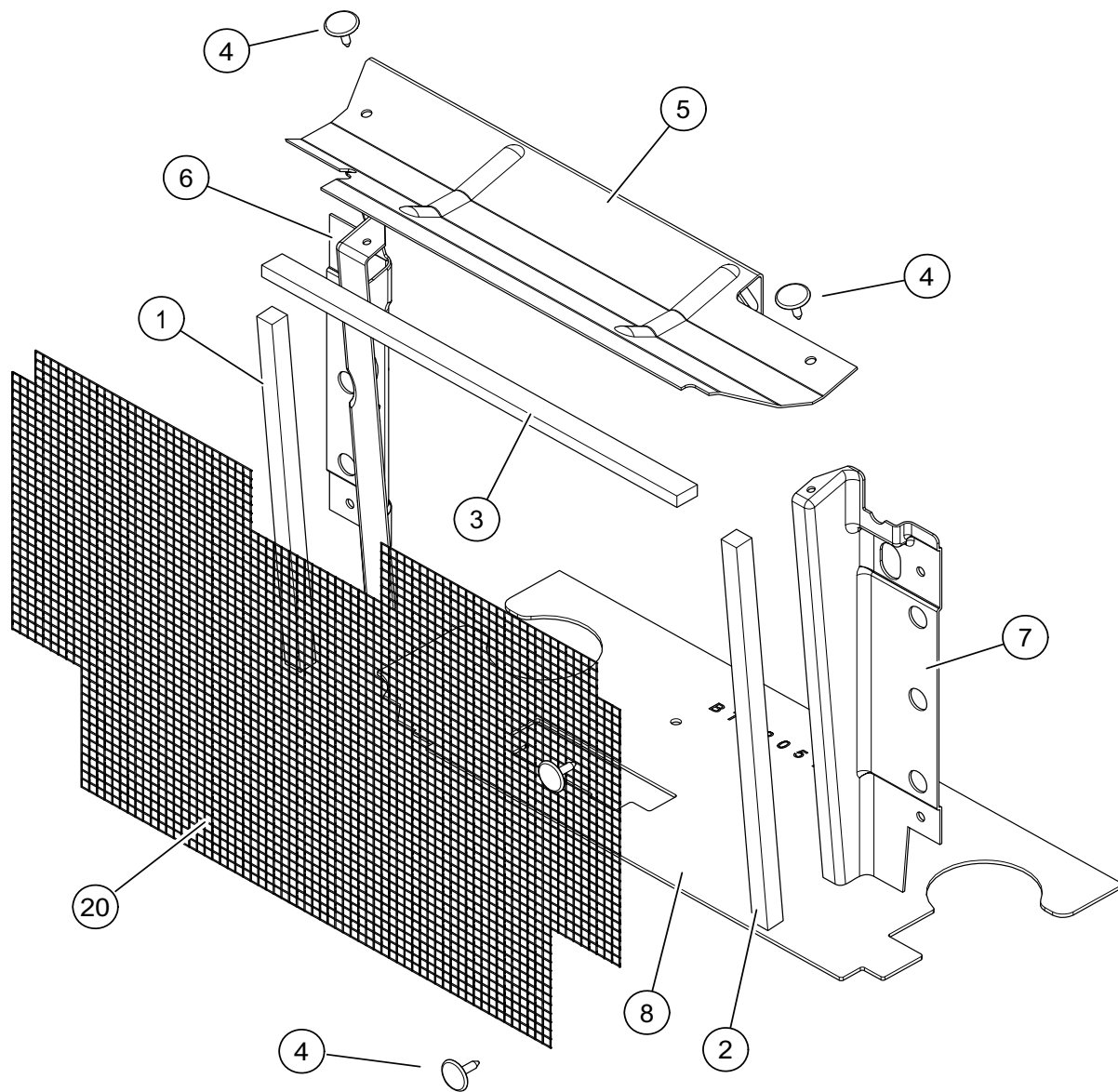
51431048-S0000

BOM ID	Part Number	Description
0	REFERENCE	51431048-S0000b HOOD/FENDER/BLACK GRILL STD
10	20511200-G000R	CLADDING FRONT WHEEL OPENING RH GREY
11	20511200-G000L	CLADDING FRONT WHEEL OPENING LH GREY
12	20511202-BL000	FRONT GRILLE BLACK
13	20512544-W00SL	FENDER FRONT STD MIRROR LH WHITE
14	20511418-W000R	FENDER FRONT WHITE RH
15	20511426-W000L	HEADLAMP BEZEL LH WHITE
16	20511426-W000R	HEADLAMP BEZEL RH WHITE
17	REFERENCE	51430023 BUMPER FRONT ASSY
18	REFERENCE	54431051 HOOD ASSY
19	22826062	BRACKET FENDER ATTACHMENT LOWER
20	22826061	BRACKET FENDER ATTACHMENT UPPER
21	20511198	FRONT WHEEL WELL LINER RH
22	20511197	FRONT WHEEL WELL LINER LH
23	06935895	BRACKET FRT WHEEL CLADDING LOWER
24	06935315	BRKT FRT WHEEL CLADDING UPPER LH
25	06935314	BRKT FRT WHEEL CLADDING UPPER RH
26	REFERENCE	HEADLAMP ASSY
27	16516685-Y1120	LIGHT LED MINI AMBR

Grille and Front Fenders

Air Shrouds

51430021

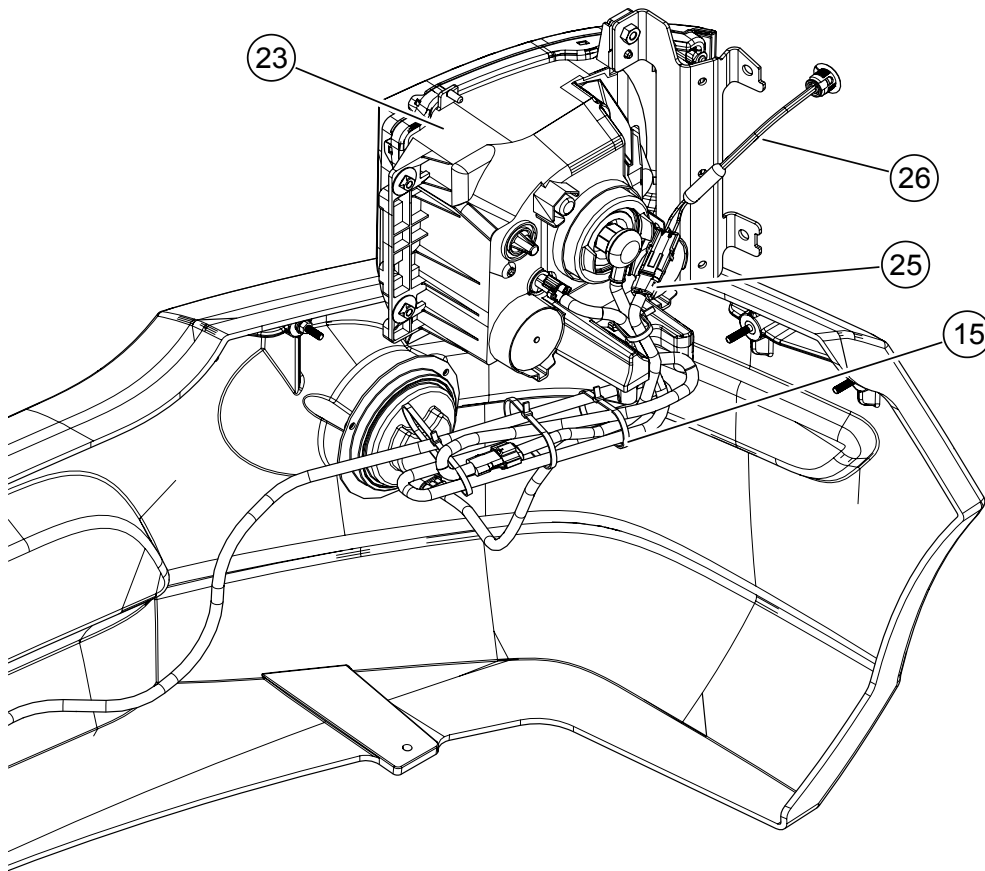


BOM ID	Part Number	Description	Qty
0	REFERENCE	51430021e INSTAL AIR SHROUDS	1
1	05705839	SEAL BLOCK 16.0	1
2	05705839	SEAL BLOCK 18	1
3	05705877	FOAM 1 x .5 PSA ON 1" x 21.0	1
4	11601236	PNL RTNR .281 .145-.455G BLK	11
5	20511455	SHROUD RADIATOR TOP	1
6	20511456	SHROUD RADIATOR LH	1
7	20511457	SHROUD RADIATOR RH	1
8	20511458	SHROUD RADIATOR BOTTOM	1
20	22822933	GRILLE SCREEN	1

Grille and Fenders

Headlight Harnesses

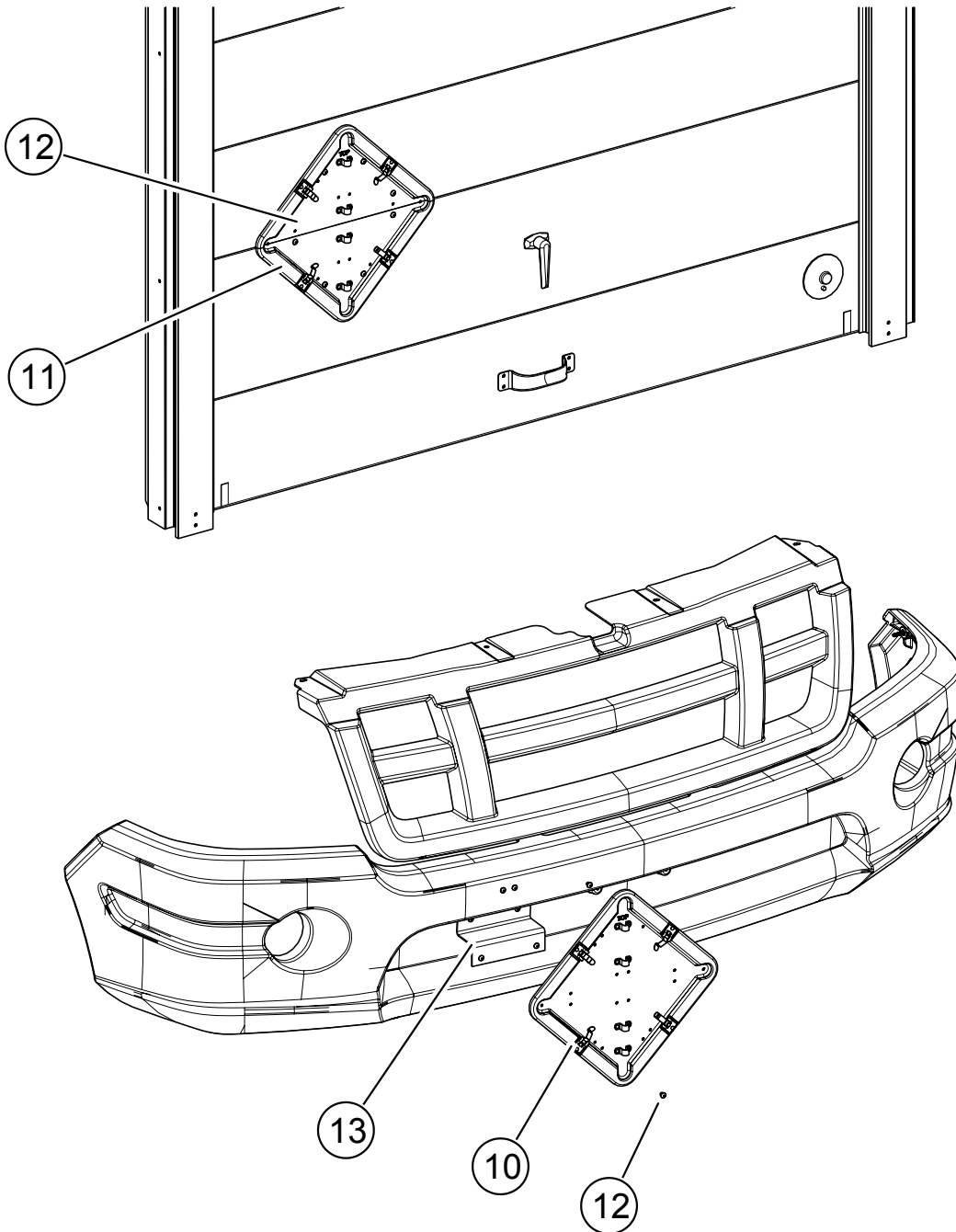
58431031-00001



BOM ID	Part Number	Description	Qty
0	REFERENCE	58431031-00001a HEADLAMP HARNESS ROUTING STD	
15	16605701	STRAP WIRE TIE BLK 15.5"	2
23	REFERENCE	HEADLAMP ASSY ISUZU	
25	16515128	HARNESS FRONT LIGHT STD	1
26	16514632-Y1230	LIGHT LED MINI AMBR	1

Hazmat Placards

64430047

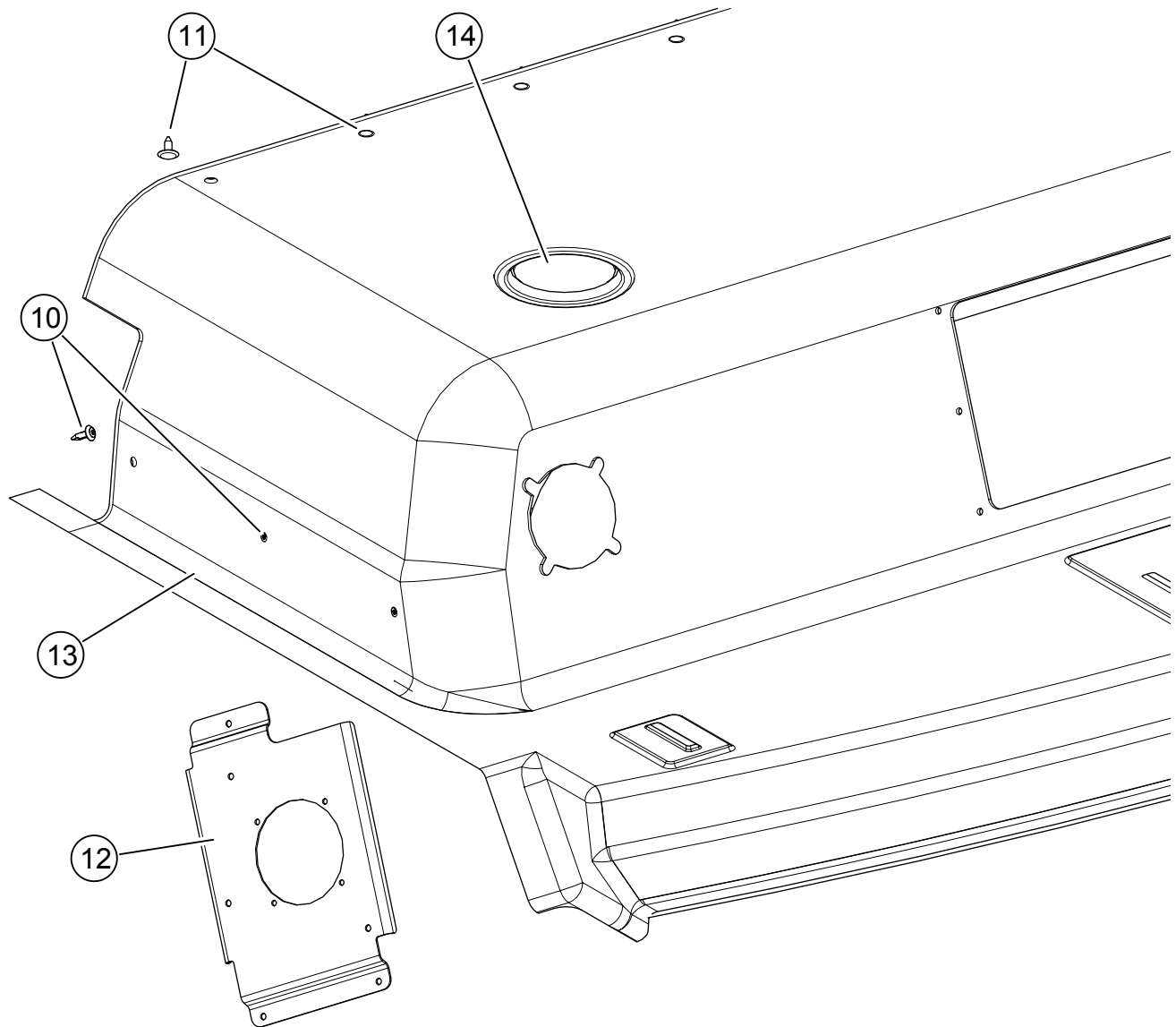


BOM ID	Part Number	Description
0	REFERENCE	64430047d PLACARD HAZMAT
10	03104711	PLACARD HAZMAT US SOLID
11	03104710	PLACARD HAZMAT US SPLIT
12	11600835	RIVET POP ALUM 3/16
13	06935874	BRACKET PLACARD HAZMAT

Headliner

One Dome Light

56431008-00Q11

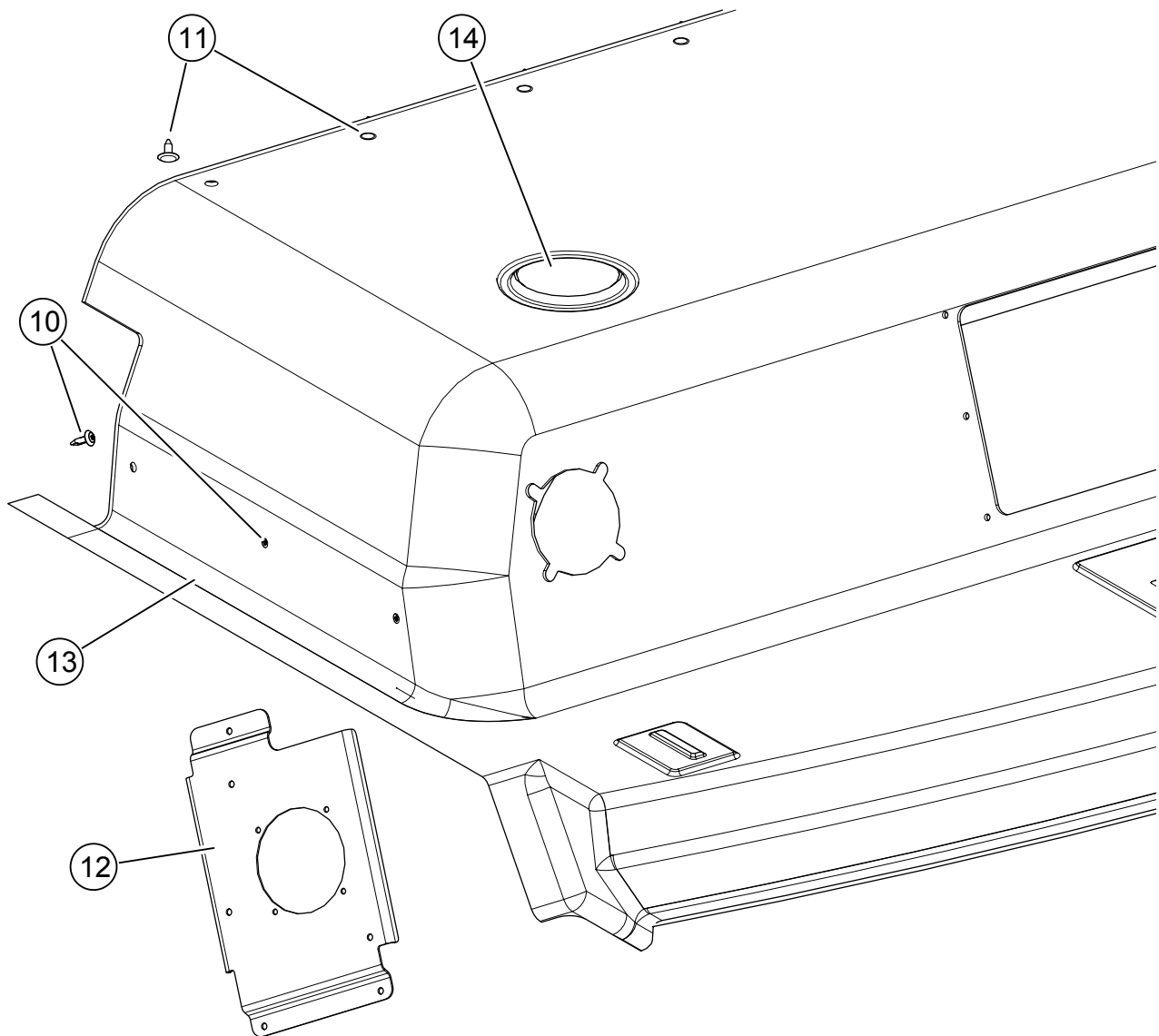


BOM ID	Part Number	Description	Qty
0	REFERENCE	56431008-00Q11c HEADLINER W/SPKR NO BIN	
10	11601222	SCRIVET M6.4 x 22.8 15.5 HD BLK	6
11	11601236	PNL RTNR .281 BLACK	9
12	06934576	STRAP OUTSIDE BIN LH	1
12_NS	06934577	STRAP OUTSIDE BIN RH	1
13	20512685-00011	PANEL HEADLINER HIGH ROOF	1
14	16516688	LIGHT LED DOME RND 4"	1
NS_1	16515130	HARNESS SGL CABCRGO LIGHT STD	1
NS_2	05705877	FOAM 1"x.5" PSA ON 1" ONE SIDE	1
NS_3	16512507	WIRE CLIP W/ADH	1

Headliner

Two Dome Lights

56431008-00Q12

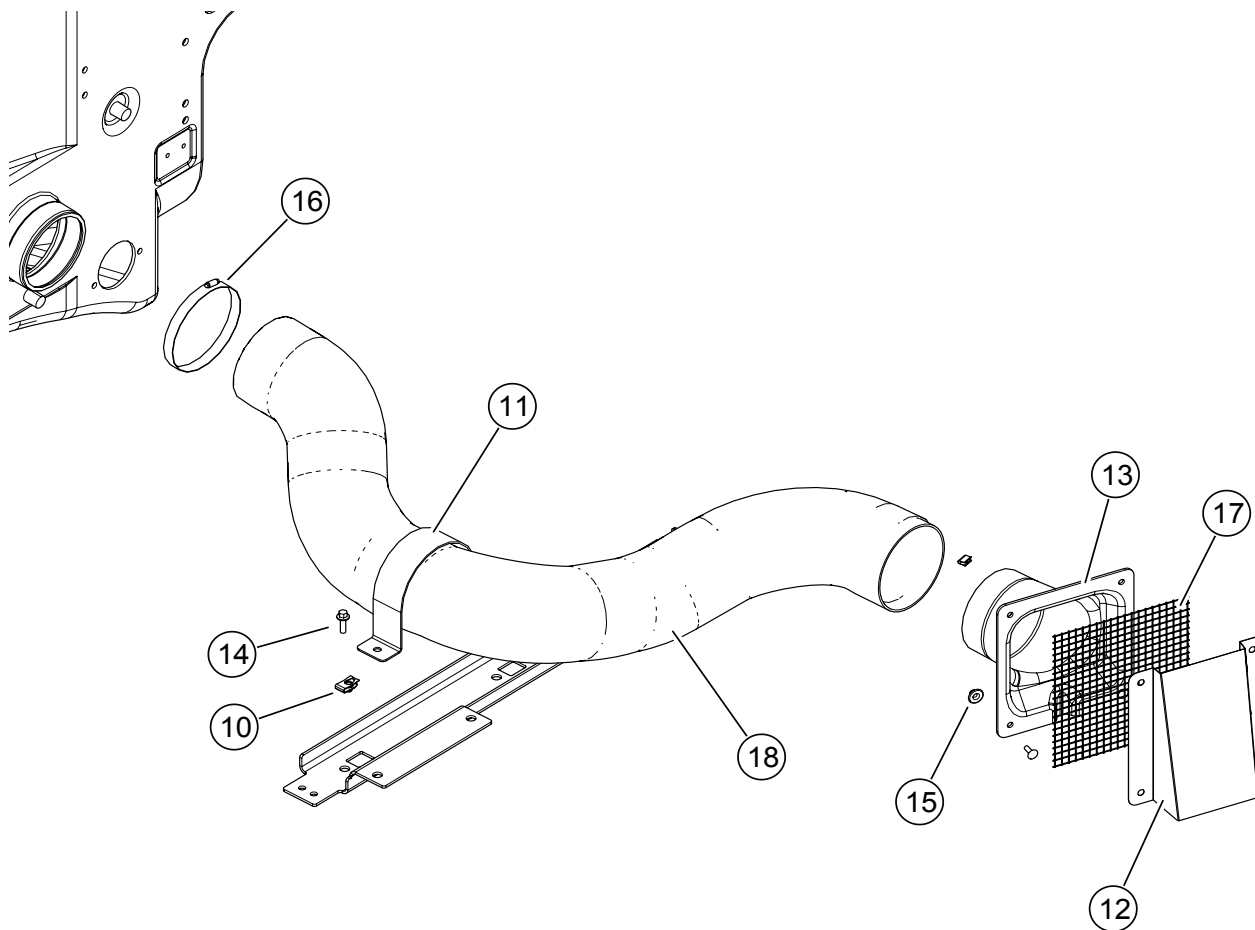


BOM ID	Part Number	Description	Qty
0	REFERENCE	56431008-00Q12c HEADLINER TWO LIGHTS	
10	11601222	SCRIVET M6.4 x 22.8 15.5 HD BLK	6
11	11601236	PNL RTNR .281 BLACK	9
12	06934576	STRAP OUTSIDE BIN LH	1
12_NS	06934577	STRAP OUTSIDE BIN RH	1
13	20512685-00012	PANEL HEADLINER HIGH ROOF	1
14	16516688	LIGHT LED DOME RND 4"	2
NS_1	16515131	HARNESS DUAL CAB LIGHT	1
NS_2	05705877	FOAM 1"x.5" PSA ON 1" ONE SIDE	1
NS_3	16512507	WIRE CLIP W/ADH	1

Heating, Air Conditioning, and Ventilation (HVAC)

Air Intake

64430063-00001

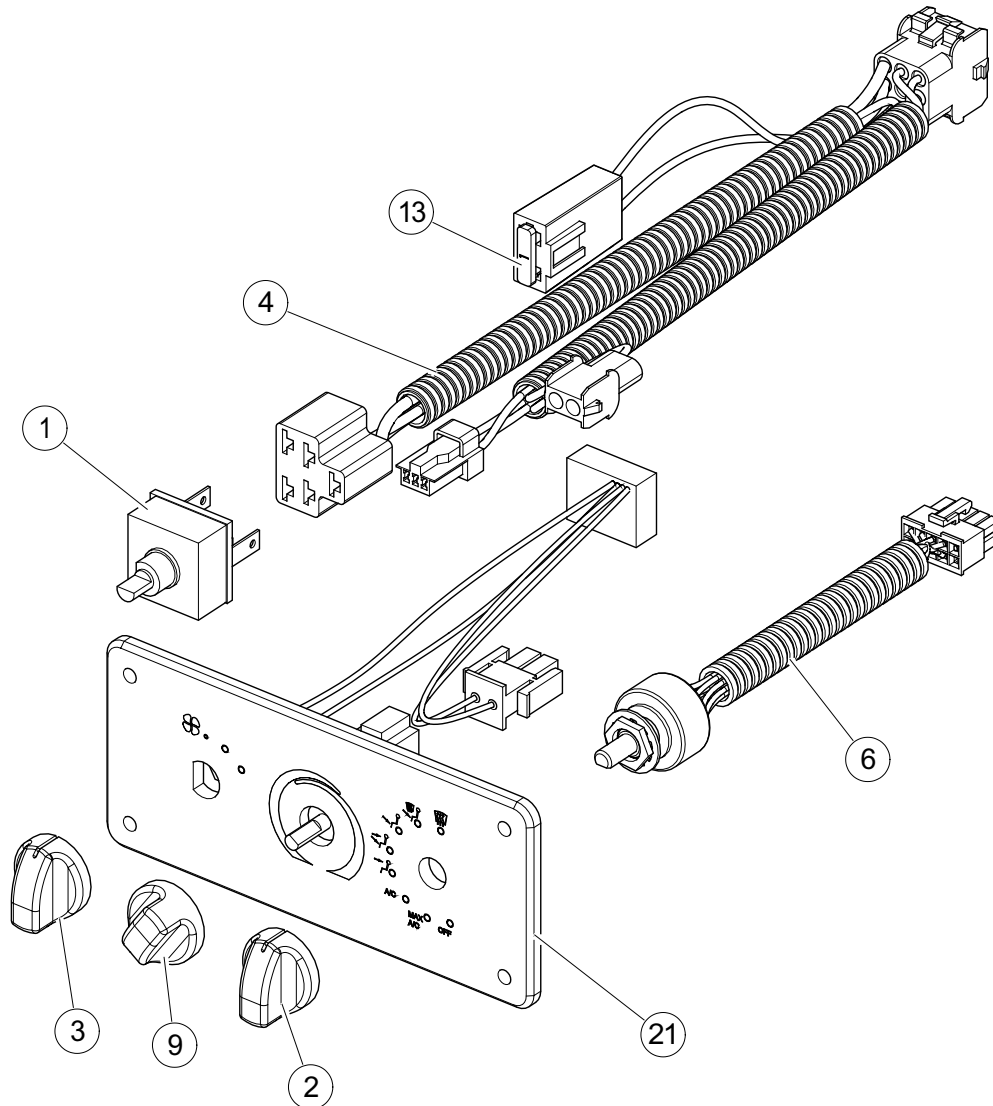


BOM ID	Part Number	Description
0	REFERENCE	64430063e HOSE AIR DUCT INSTALL
10	11601215	U-NUT M6-1.0 .8-2.5G
11	22822584	STRAP HVAC INTAKE
12	REFERENCE	51431042 COVER HVAC INTAKE
13	20512652	INLET HVAC INTAKE
14	UT29-BB1-003	BOLT M6-1.00 X 20 FLG G8.8 BZ PTCH
15	11600720	HUCK MAGNA GRIP COLLAR
16	08707558	CLAMP HOSE 4.5"
17	REFERENCE	51431042 SCREEN HVAC INTAKE
18	01905273	HOSE AIR DUCT 60"
NS_1	16516302	STRAP-CABLE TIE 15.25" W/TREE MNT

Heating, Air Conditioning, and Ventilation (HVAC)

Control Head

07206367

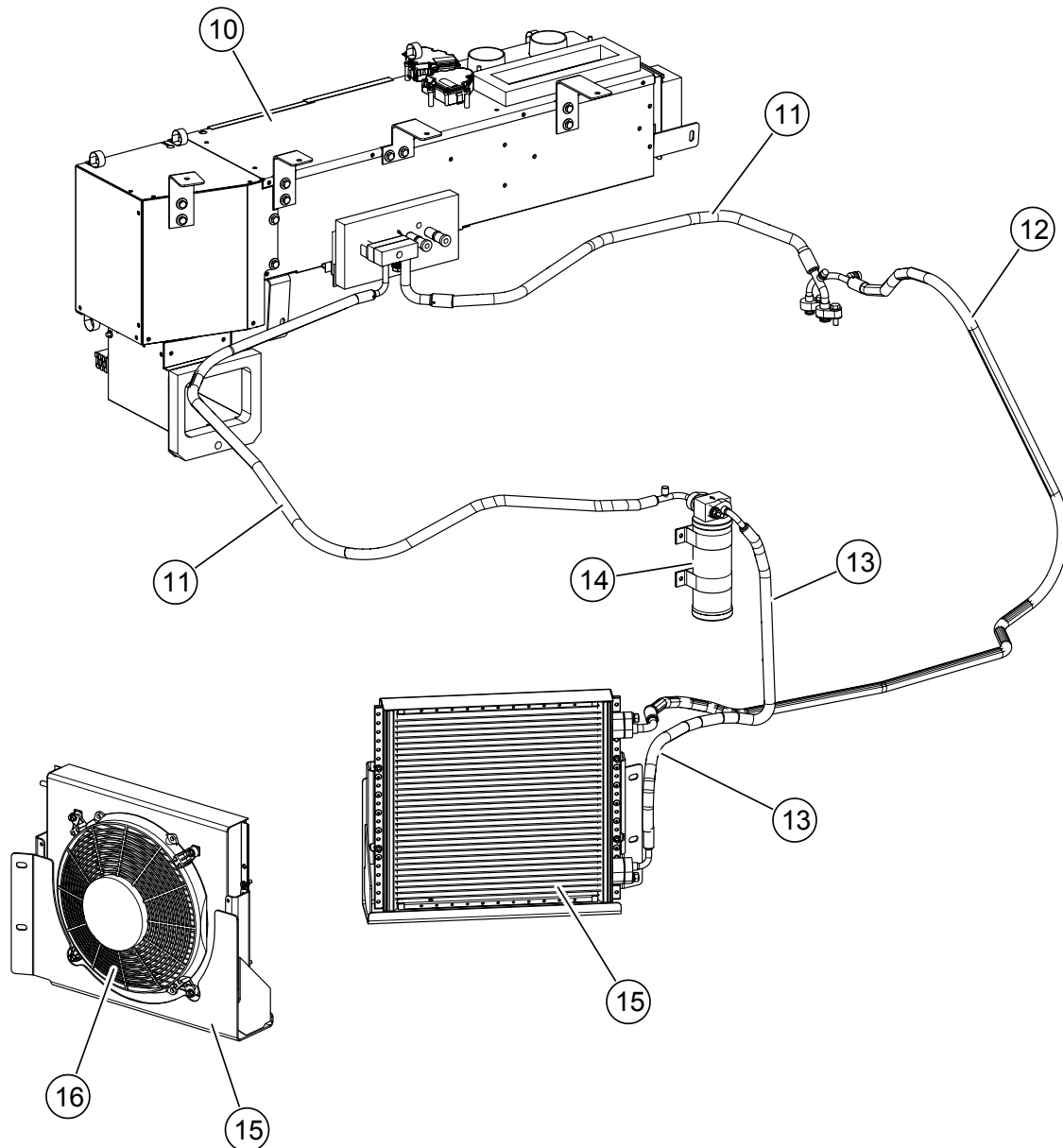


BOM ID	Part Number	Description
0		07206367a CONTROL HEAD A/C
1	17902316	SWITCH ON/ON/ON ROTARY
2	17902311	KNOB MODE FLAT TO BTM
3	17902312	KNOB BLOWER FLAT TO TOP
4	17902294	HARN MAIN CNTRL PNL H/C
6	17902290	SWITCH REPL MODE H/C
9	17902313	KNOB TEMP FLAT TO BTM
13	REFERENCE	1 AMP FUSE (OBTAIN LOCALLY)
21	17902304	KIT CONT HD FCPLT REPL W/POTENT

Heating, Air Conditioning, and Ventilation (HVAC)

Air Conditioning Hoses

Order part number 07207392 for the entire kit.

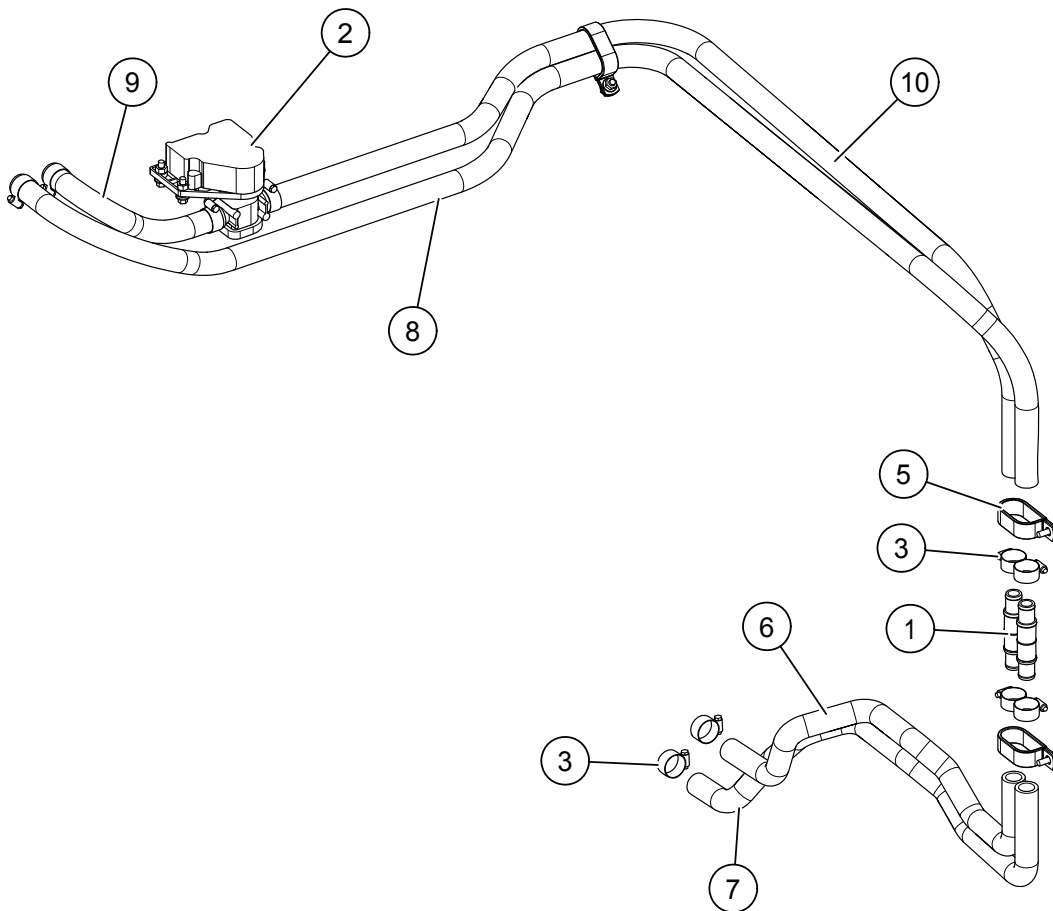


BOM ID	Part Number	Description
0	07207392	07207392c HOSE KIT A/C 2014
10	07207396	EVAPORATOR ASSY AC 2014
11	17902427	HOSE ASM EVAP TO COMP/DRIER 2014
12	17902426	HOSE ASM -COMP TO EVAP 2014
13	17902425	HOSE ASM EVAP TO DRIER 2014
14	17902430	RECEIVER DRIER KIT 2014
15	17902431	AC CONDENSER ASSEMBLY 2014
16	17902302	FAN REPLACEMENT W/FASTENERS
NS_1	17902428	SERVICE PARTS KIT FOAM AND RIVETS
NS_2	16514687	WIRE TIE 15.7" BLK DBL HD

Heating, Air Conditioning, and Ventilation (HVAC)

Heater Hoses, With AC

64430061-00001

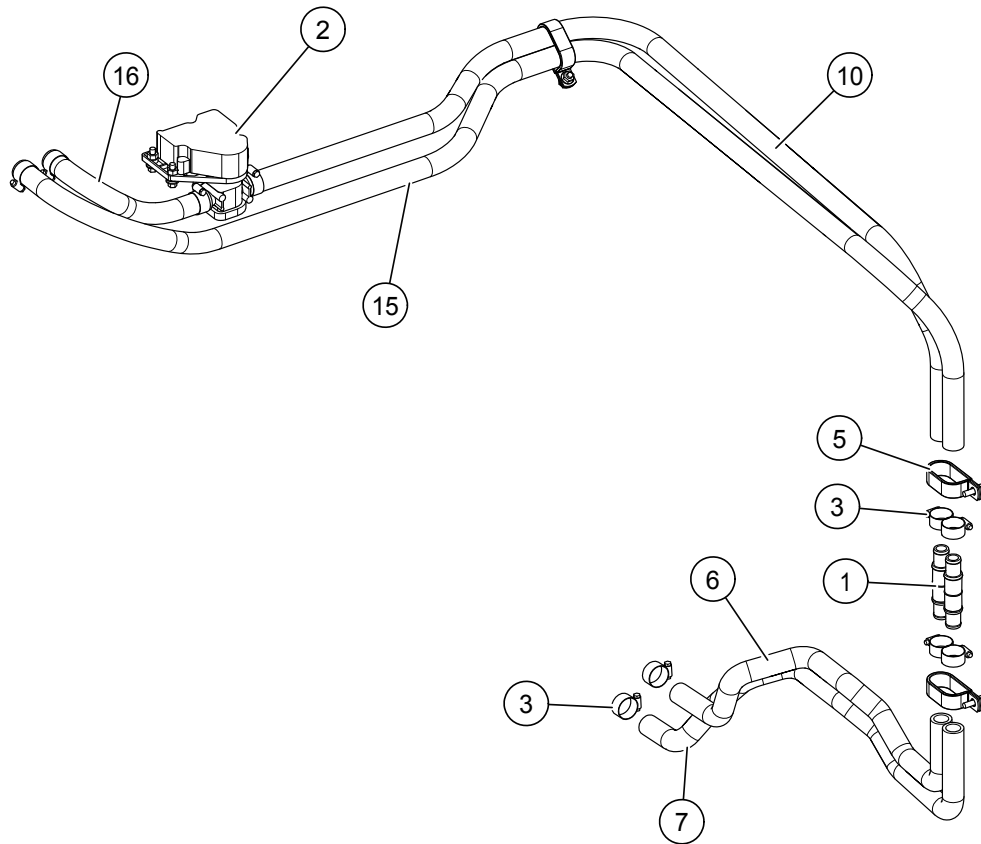


BOM ID	Part Number	Description	Qty
0	REFERENCE	64430061-00001e HEATER HOSE INSTL W/AC	
1	07206331	FITTING INLINE HVAC HOSE 5/8"	2
2	07206356	WATER VALVE ELECTRIC 2 PORT	1
3	08610786-00008	CLAMP HOSE SAE #8	10
5	08612117	CLAMP DOUBLE TUBE .937DIA	3
6	18504697	HVAC FORMED RUBBER HOSE LWR TOP	1
7	18504698	HVAC FORMED RUBBER HOSE LWR BTM	1
8	19200949	HOSE 5/8 ID GRN STRIPE (63.25)	1
9	19200949	HOSE 5/8 ID GRN STRIPE (8.75)	1
10	19200949	HOSE 5/8 ID GRN STRIPE (46.50)	1
NS_1	08613297-00001	CLAMP DOUBLE TUBE 1.000	1
NS_2	8981774780	CLIP-DBL SWIVEL	1
NS_3	16514687	WIRE TIE 15.7" BLK DBL HD	1
NS_4	16510022	CONDUIT PLASTIC 1" SLIT	1

Heating, Air Conditioning, and Ventilation (HVAC)

Heater Hoses, No AC

64430061-00002

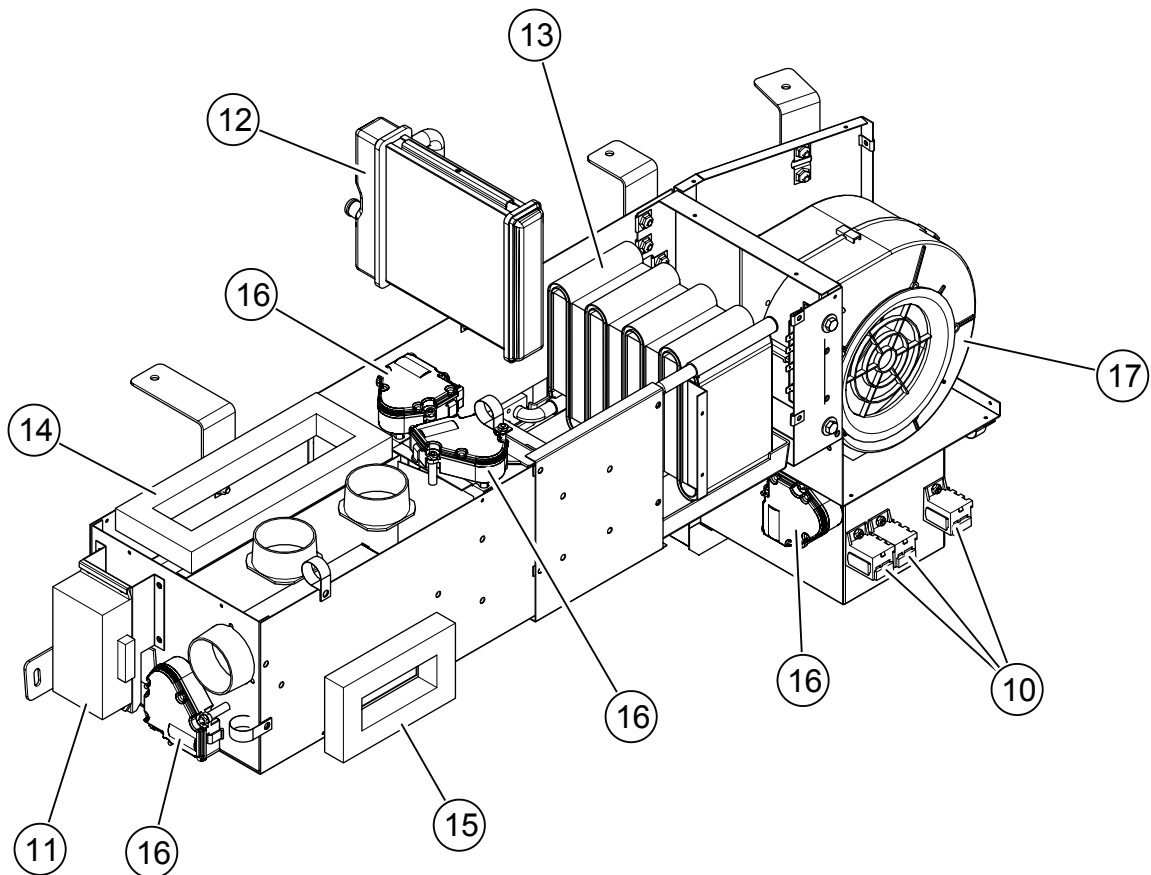


BOM ID	Part Number	Description	Qty
0	REFERENCE	64430061-00002f HEATER HOSE INSTALLATION W/HT	
1	07206331	FITTING INLINE HVAC HOSE 5/8"	2
2	07206356	WATER VALVE ELECTRIC 2 PORT	1
3	08610786-00008	CLAMP HOSE SAE #8	10
5	08612117	CLAMP DOUBLE TUBE .937DIA	3
6	18504697	HVAC FORMED RUBBER HOSE LWR TOP	1
7	18504698	HVAC FORMED RUBBER HOSE LWR BTM	1
10	19200949	HOSE 5/8 ID GRN STRIPE (46.50)	1
15	19200949	HOSE 5/8 ID GRN STRIPE (66.25)	1
16	19200949	HOSE 5/8 ID GRN STRIPE (11.75)	1
NS_1	08613297-00001	CLAMP DOUBLE TUBE 1.000	1
NS_2	8981774780	CLIP-DBL SWIVEL	1
NS_3	16514687	WIRE TIE 15.7" BLK DBL HD	1
NS_4	16510022	CONDUIT PLASTIC 1" SLIT	1

Heating, Air Conditioning, and Ventilation (HVAC)

Plenum With AC

Order part number 07207396 for entire assembly.

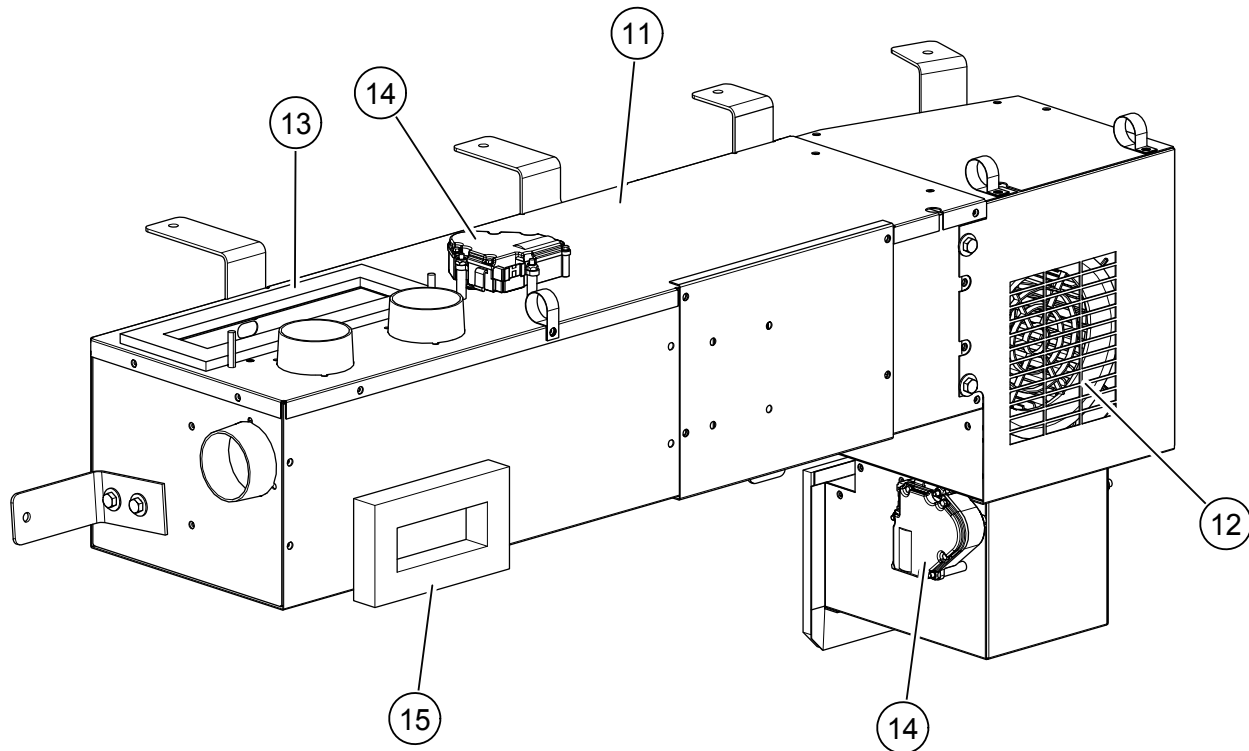


BOM ID	Part_Number	Description
0	07207396	07207396a EVAPORATOR ASSY AC 2014
10	17902315	RELAY 40 AMP (3)
11	17902292	CONTROL MODULE REPL H/C
12	17902424	CORE ASSY HEATER
13	17902423	COIL ASSY EVAP
14	17902284	GASKET REPL DEFR DUCT
15	17902282	GASKET REPL FLOOR DUCT
16	17902295	MOTOR REPL 125 DEG H/C
17	17902305	MOTOR BLOWER COMPLETE
NS_1	17900493	HOSE 2.5" FLEX HEAT DUCT
NS_2	17902307	HARNESS MAIN EVAP H/C
NS_3	17902283	HOSE REPL DRAIN H/C

Heating, Air Conditioning, and Ventilation (HVAC)

Plenum, No AC

Order part number 07206325 for entire assembly.

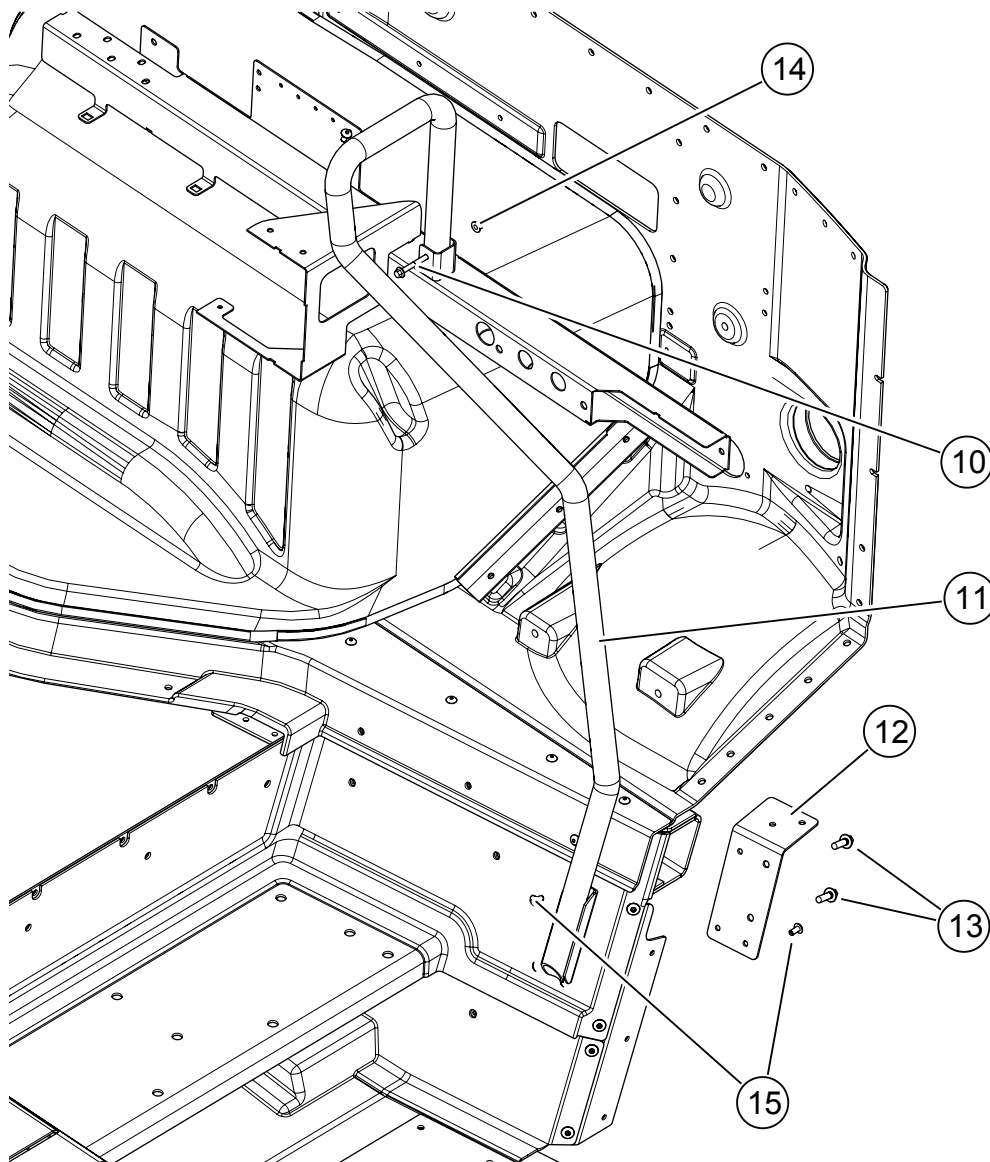


BOM ID	Part Number	Description	Qty
0	REFERENCE	07206325d EVAPORATOR ASSY HEAT	
11	17902309	HEATER ASSY HEAT ONLY	1
12	17902305	MOTOR BLOWER	1
13	17902284	GASKET REPL DEFR DUCT	1
14	17902298	MOTOR REPL 80 DEG H/O	2
15	17902282	GASKET REPL FLOOR DUCT	1
NS_1	17902306	CORE ASSY HEATER	1
NS_2	17902301	HARNESS MAIN H/O	1
NS_3	17902359	RESISTOR	1

Hand Rails and Grab Handles

Passenger's Side Hand Rail, Yellow

64431128-Y0000

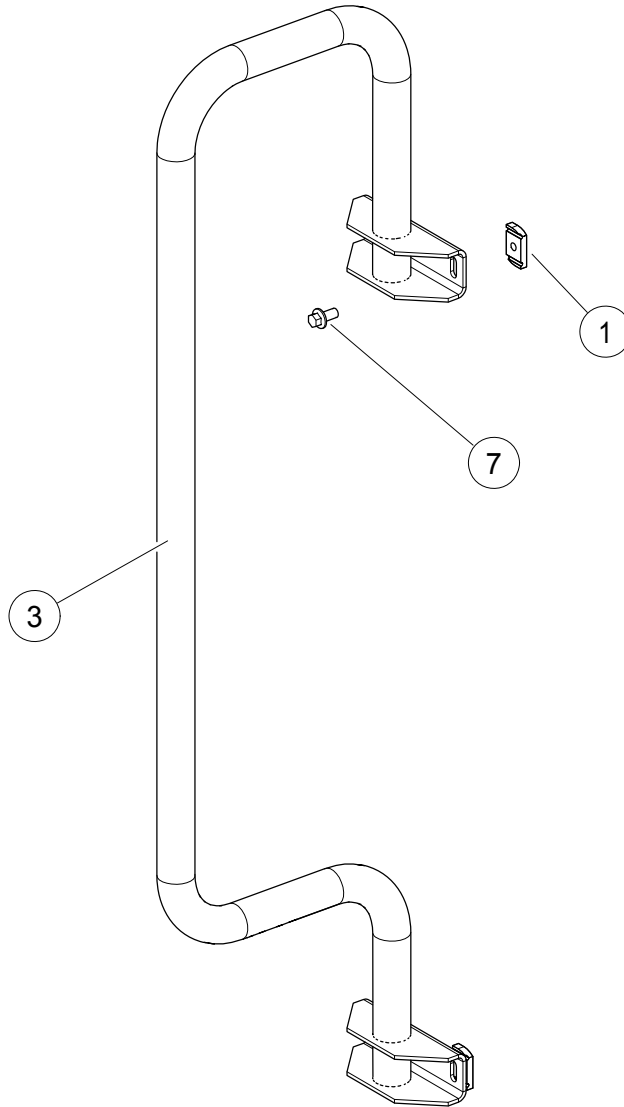


BOM ID	Part Number	Description	Qty
0	REFERENCE	64431128-Y0000a FRONT HAND RAIL YELLOW	
10	UT29-BB1-013	BOLT M6-1.00 x 50 FLG G8.8 BZ PTCH	1
11	22823543-Y0000	HANDLE FRONT RAIL YELLOW	1
12	22823546	BRACKET HAND RAIL SUPPORT	1
13	UT29-BB1-007	BOLT M8-1.25 x 25 FLG G8.8 BZ PTCH	2
14	M06100FN3X	NUT M6-1.00 FLG G8.8 BZ	1
15	11400023	MAGNA-LOC 1/4" STL SHORT	5

Hand Rails and Grab Handles

Rear Door Grab Handle, Yellow

64430052-Y0001



BOM ID	Part Number	Description	Qty
0	REFERENCE	64430052-Y0001b REAR GRAB HANDLE YELLOW	
1	11601277	NUT CHNL M8-1.25 COOPER B-LINE W/SPR	4
3	22823567-Y0000	GRAB HANDLE WLDMT REAR YELLOW	1
7	UT29-BB1-006	BOLT M8-1.25X16 FLG G8.8 BZ PTCH	4

Order the (2) yellow rear grab handles upfit kit 64430052-Y02SK.

Hood

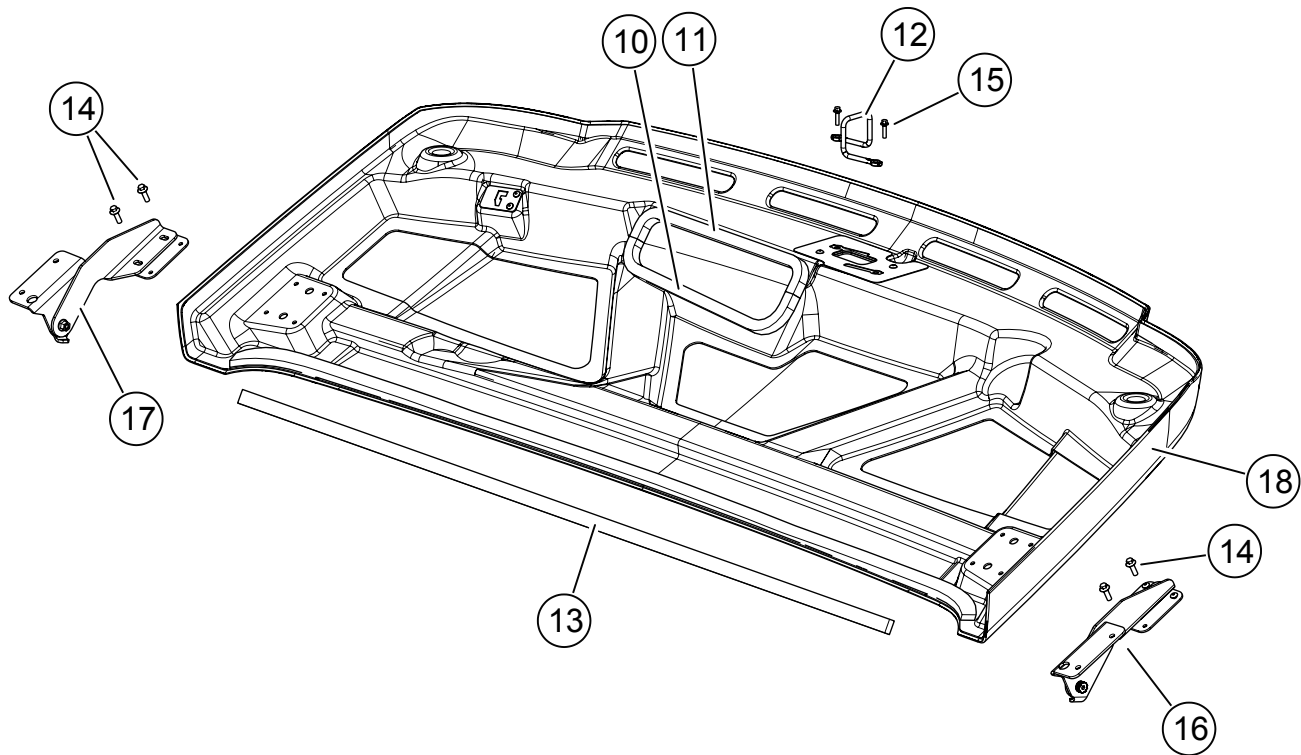
Assembly

54431051-W0000

Paint code references for body panels:

WHITE: Sherwin-Williams White G2N77175

BROWN: Sherwin-Williams Brown G2N32668
or DuPont Imron Brown 744412-HN

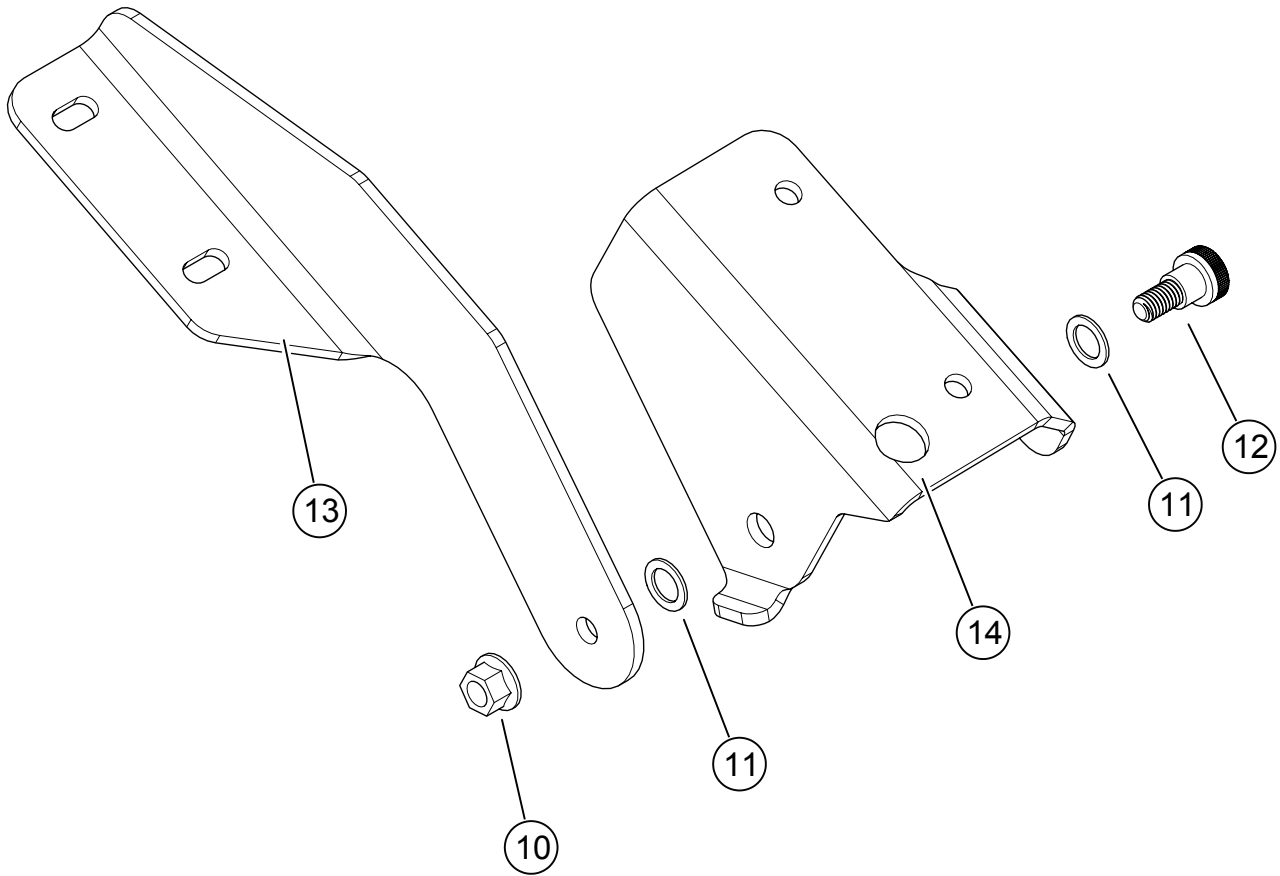


BOM ID	Part Number	Description	Qty
0	REFERENCE	54431051-W0000a HOOD ASSEMBLY WHITE	
10	8981935300	SHIELD FRT INT AIR	1
11	8981935310	SHIELD FRT INT AIR	1
12	08612062	STRIKER HOOD	1
13	05705877	FOAM 1" x .5" PSA ON 1" ONE SIDE	1
14	UT29-BB1-007	BOLT M8-1.25 X 25 FLG G8.8 BZ PTCH	4
15	UT29-BB1-004	BOLT M6-1.00 X 25 FLG G8.8 BZ PTCH	2
16	23003777SK	KIT HINGE DRIVER SIDE	1
17	23003778SK	KIT HINGE PASS SIDE	1
18	20512589-W0000	HOOD ASSEMBLY WHITE	1
NS_1	03104447	LABEL SECURE HOOD PROP ROD	1

Hood

Hinge, Driver's Side

51430016



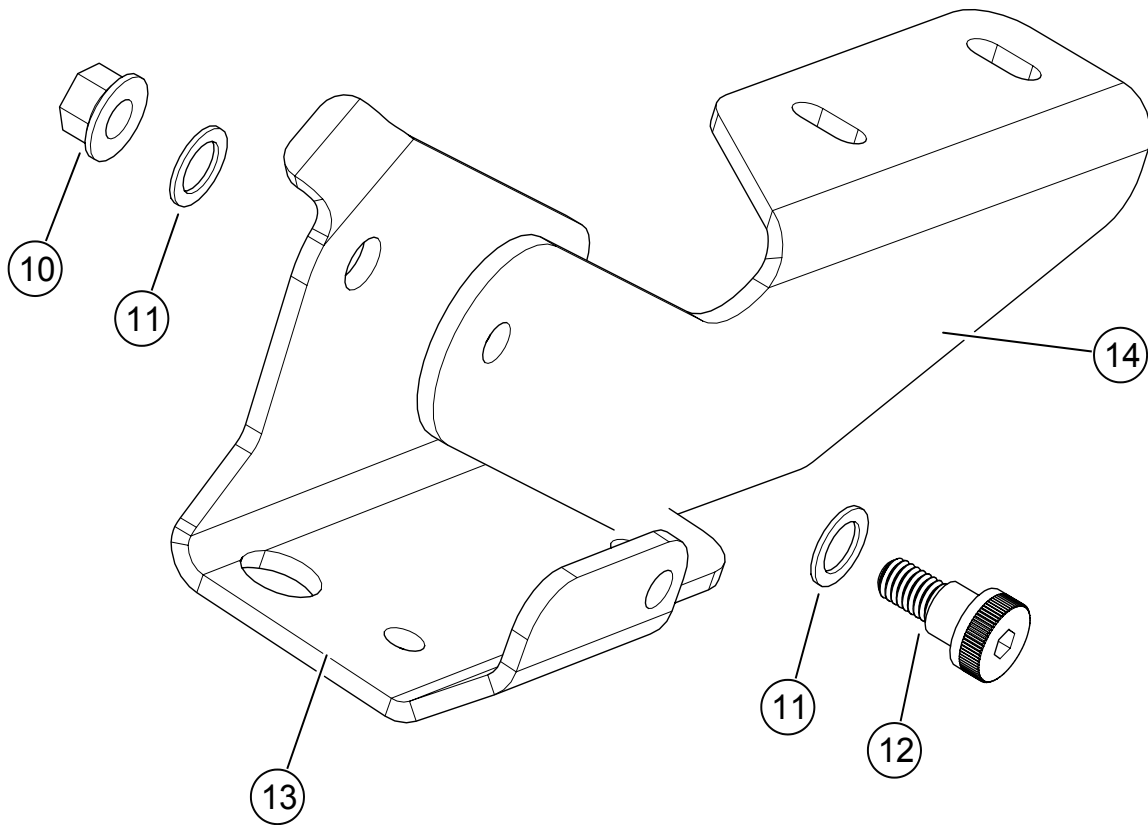
BOM ID	Part Number	Description	Qty
0	23003777SK	51430016e HINGE ASSEMBLY LH	1
10	0616FLNS	NUT 3/8-16 FLG LK SS	1
11	11601270	WASHER OFF WHITE NYLON	2
12	11601269	SHOULDER SCREW 18-8 SS	1
13	22823176	HINGE HOOD LH	1
14	22827424	BRACKET HOOD HINGE LH	1

Order the complete hinge assembly kit 23003777SK.

Hood

Hinge, Passenger's Side

51430017



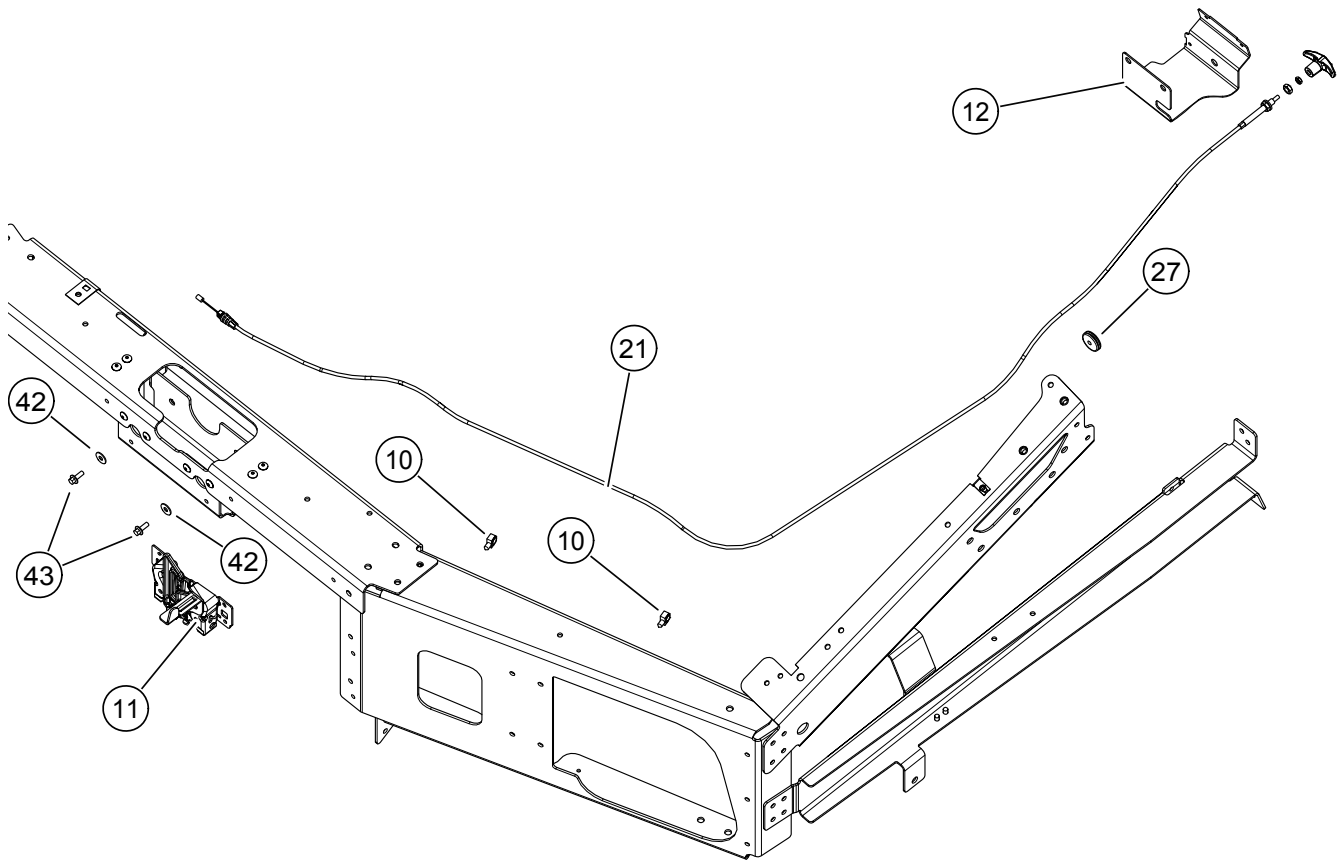
BOM ID	Part Number	Description	Qty
0	23003778SK	51430017-00001e HINGE ASSEMBLY RH	1
10	0616FLNS	NUT 3/8-16 FLG LK SS	1
11	11601270	WASHER OFF WHITE NYLON	2
12	11601269	SHOULDER SCREW 18-8 SS	1
13	22827425	BRACKET HOOD HINGE RH	1
14	22823177	HINGE HOOD LH	1

Order the complete hinge assembly kit 23003778SK.

Hood

Latch Release

51430028-00001

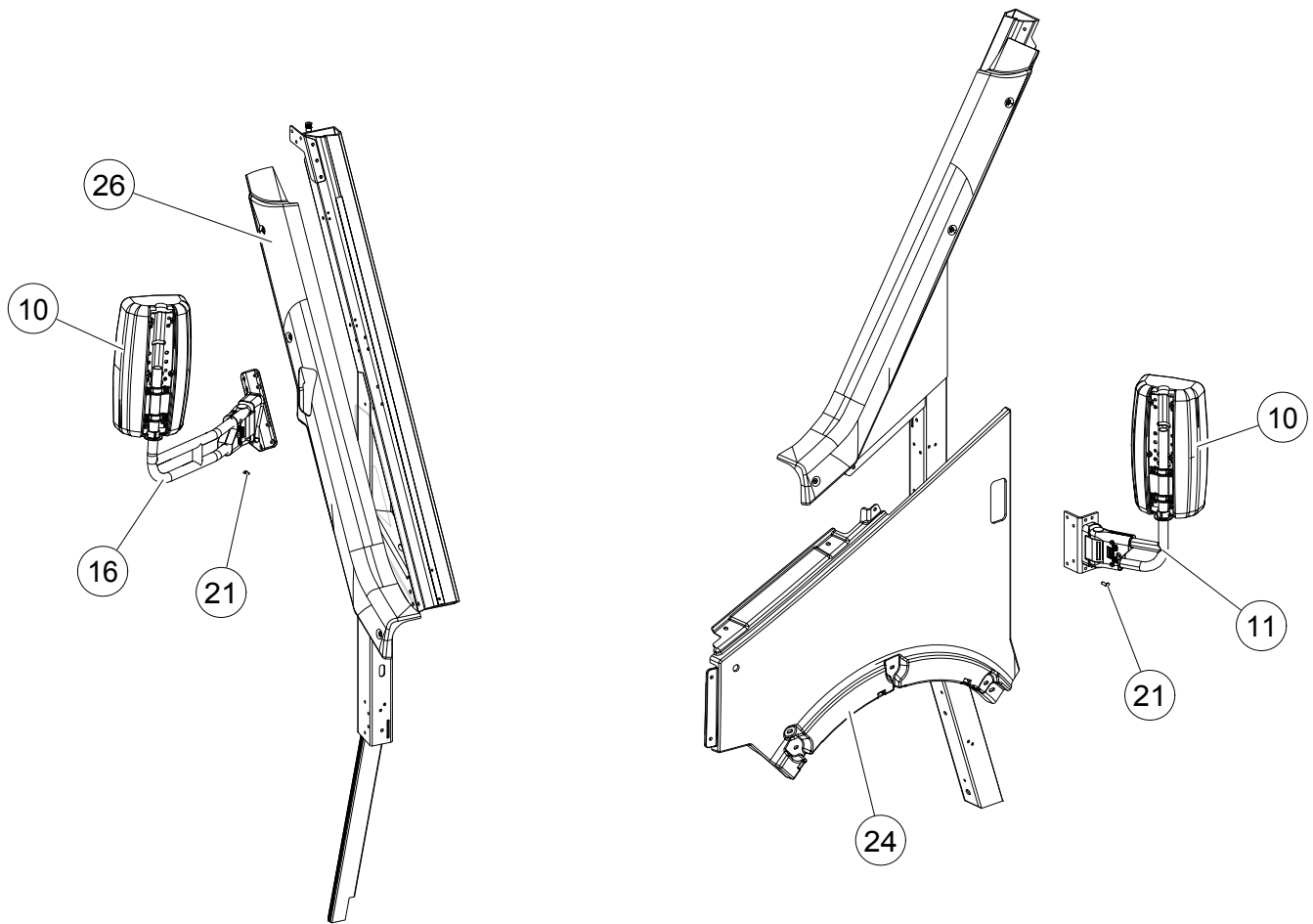


BOM ID	Part Number	Description	Qty
0	REFERENCE	51430028-00001b LATCH HOOD RELEASE	
10	08612027	CLIP SNAP IN WIRE 0.256 DIA	2
11	08612000	LATCH HOOD ASSY	1
12	22825223	BRACKET HOOD RELEASE STD	1
21	08612006	HOOD RELEASE REMOTE	1
27	08612035	GROMMET HOOD CABLE 1" HOLE 1/4" ID	1
42	M06FWHRZ	WASHER M6	2
43	UT29-BB1-002	BOLT M6-1.00 X 16 FLG G8.8 BZ PTCH	2

Mirrors

Side

54430036-00001

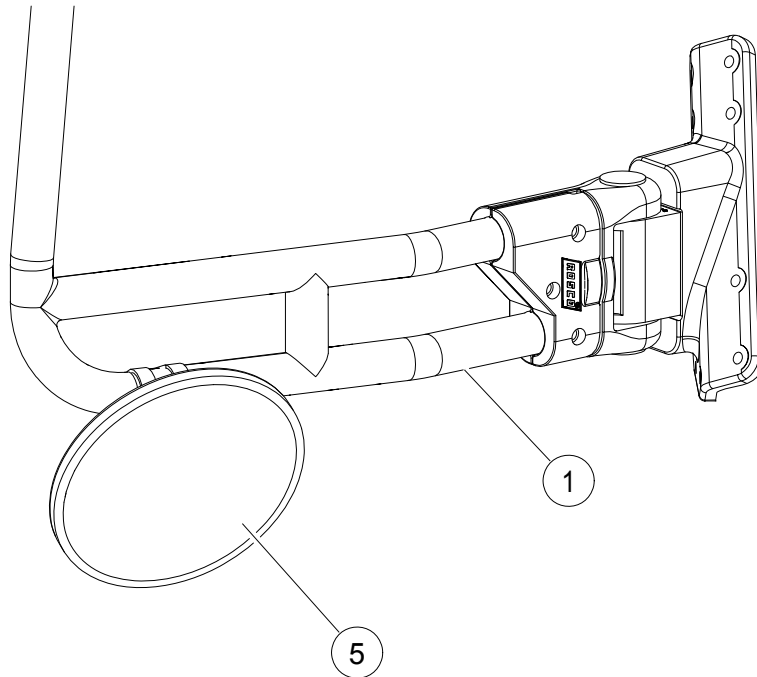


BOM ID	Part Number	Description	Qty
0	REFERENCE	54430036-00001b MIRRORS INSTAL STD	
10	08612089	MIRROR HEAD	2
11	08612090	MIRROR MOUNT ARM LH	1
16	08612091	MIRROR MOUNT ARM RH	1
21	11400024	MAGNA-LOC 1/4" STL	20
24	REFERENCE	FRONT FENDER LH	
26	REFERENCE	TRIM A-PILLAR EXTERIOR	

Mirrors

Crosswalk

64430056

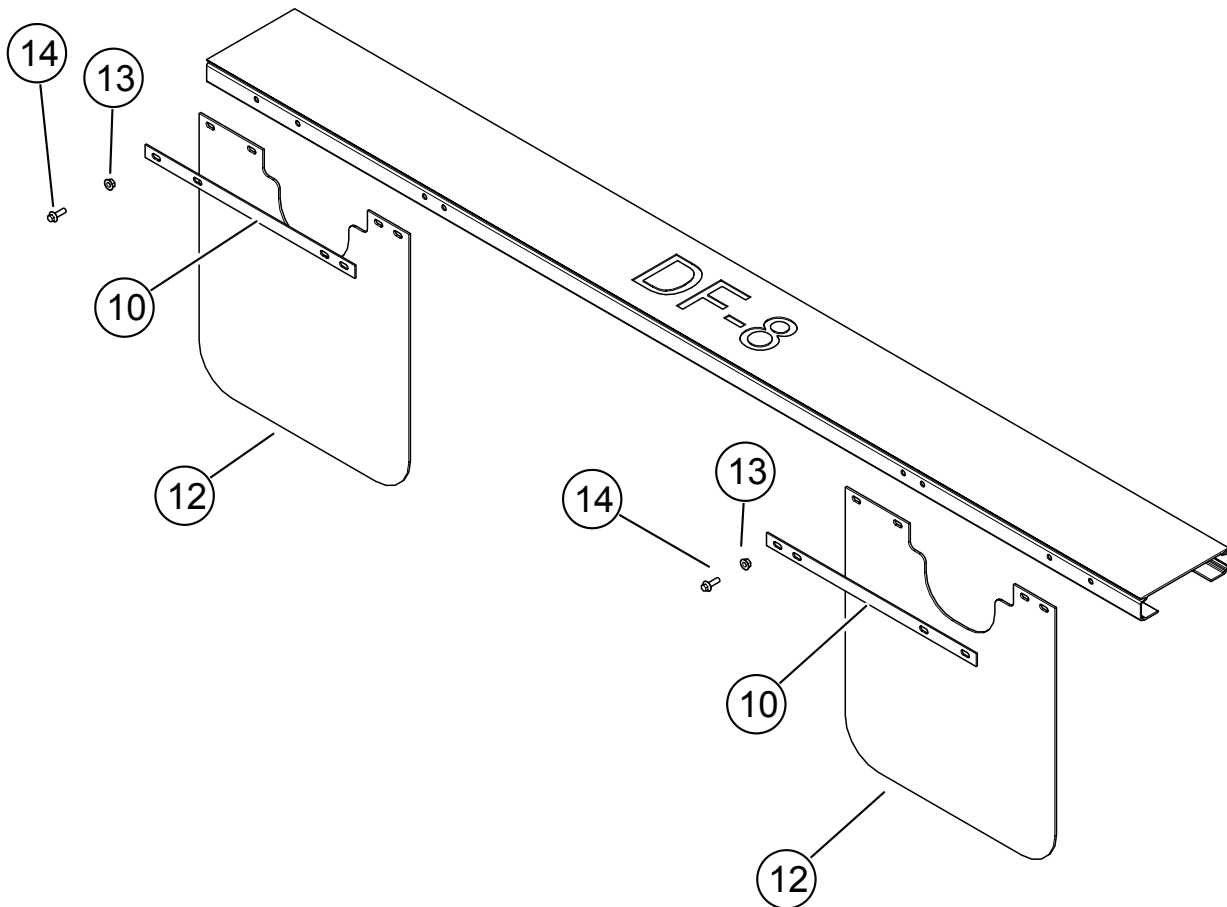


BOM ID	Part Number	Description	Qty
0	REFERENCE	64430056a CROSSWALK MIRROR 6"	
1	REFERENCE	08612091 MIRROR MOUNT ARM RH	
5	08612112	MIRROR FRONT CROSSWALK	1

Mud Flaps

Rear, V1

64431102



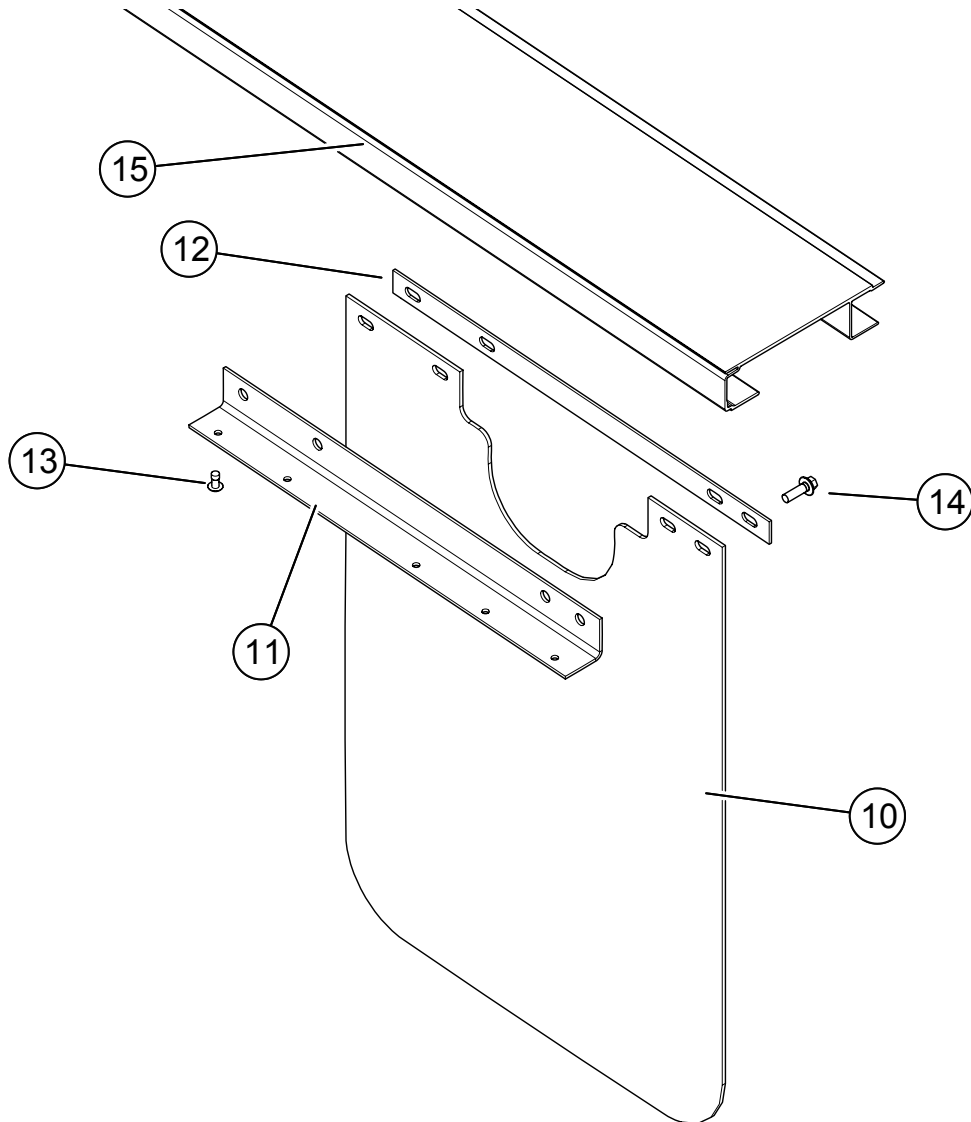
BOM ID	Part Number	Description	Qty
0	REFERENCE	64431102d INSTALLATION MUD FLAP	
10	22825548	PLATE MUD FLAP MOUNTING	2
12	20512625-00003	MUD FLAP LH/RH W/CUTOUT 27"	2
13	M08125FN3X	NUT M8-1.25 FLG G8.8 BZ	8
14	UT29-BB1-007	BOLT M8-1.25X25 FLG G8.8 BZ	8

NOTE: "V1" represents options that were installed earlier in 2015 and "V2" are variations of those same options installed later in the year.

Mud Flaps

Rear, V2

64431133



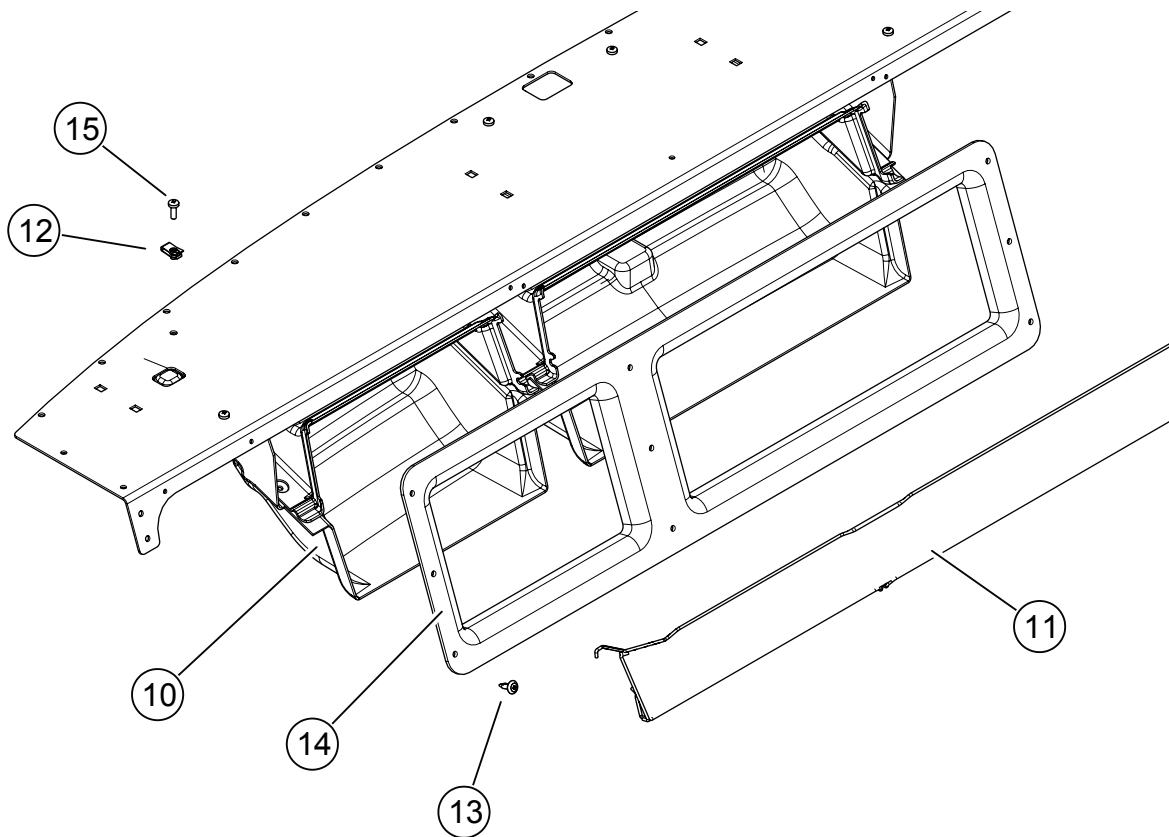
BOM ID	Part Number	Description
0	REFERENCE	64431133b MUD FLAPS
10	20512625-00003	MUD FLAP LH/RH W/CUTOUT 27"
11	22826751	BRACKET MUD FLAP MOUNTING
12	22825548	PLATE MUD FLAP MOUNTING
13	11400023	MAG-L PRO 1/4 STL
14	UT29-BB1-007	BOLT M8-1.25 x 25 FLG G8.8 BZ PTCH
15	REFERENCE	FLOOR PLANK

NOTE: "V1" represents options that were installed earlier in 2015 and "V2" are variations of those same options installed later in the year.

Overhead Panel

Compartments with Net

54431083

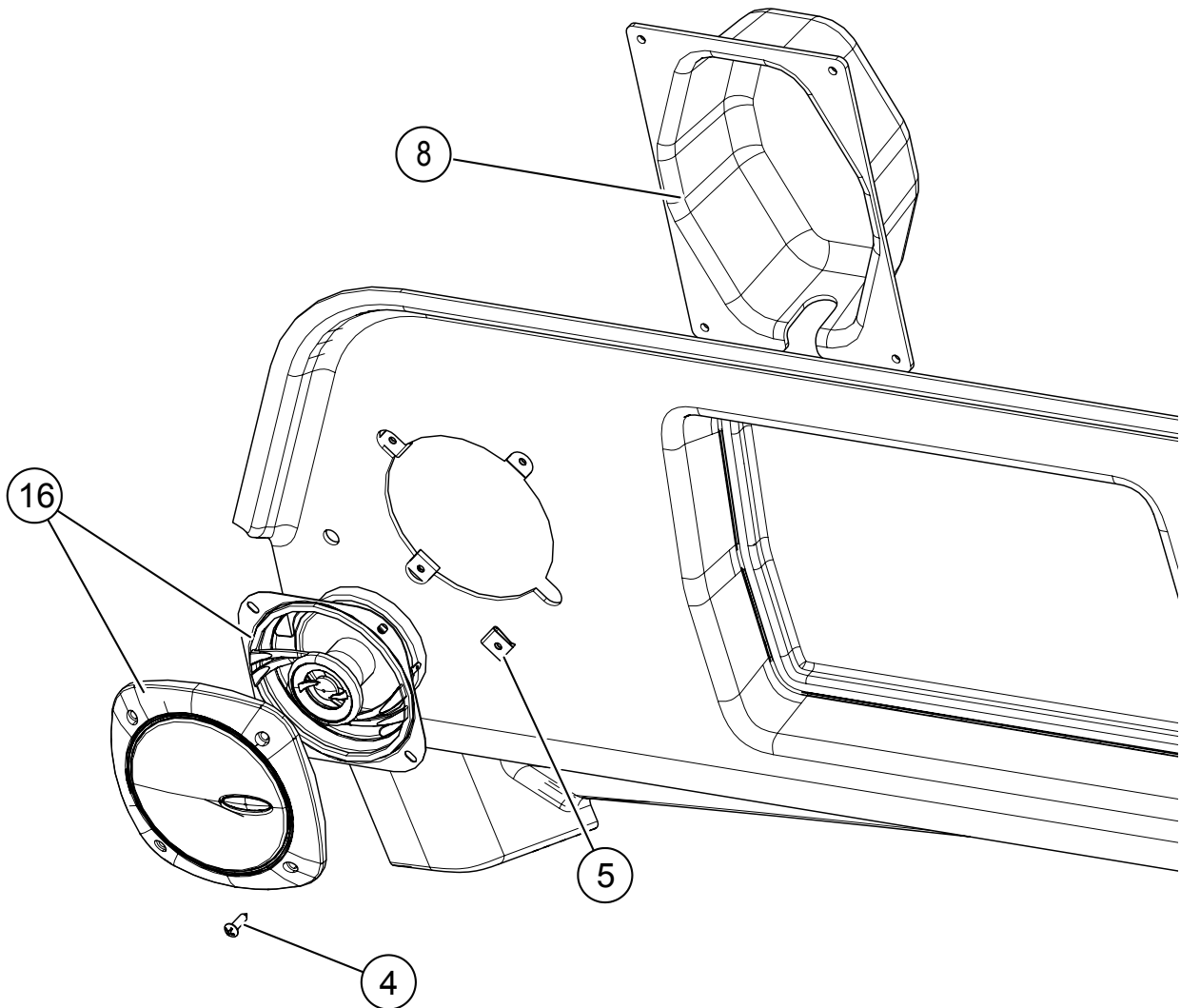


BOM ID	Part Number	Description	Qty
0	REFERENCE	54431083a OVERHEAD BINS	
10	20511500	BIN OVERHEAD ASSEMBLY	1
11	21312175	NET OVERHEAD CARGO	1
12	11601215	U-NUT M6-1.0 .8-2.5G	6
13	11601222	SCRIVET M6.4 BLACK	9
14	20512721	PANEL HEADLINER BIN CLOSEOUT	1
15	UT02-BB1-003	SCREW M6-1.00 x 18 PAN HD PTCH	6

Overhead Panel

Speakers

54430027



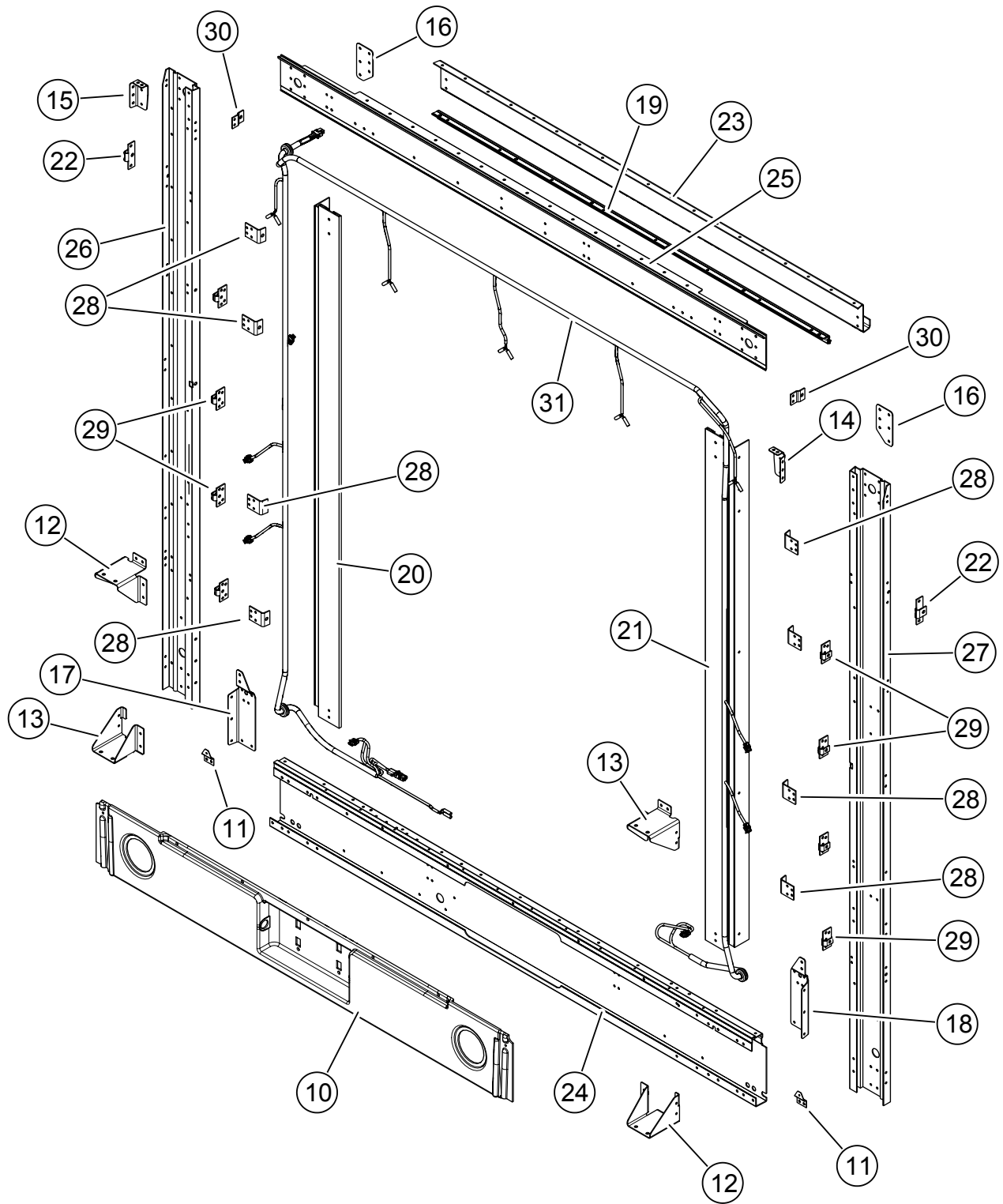
BOM ID	Part Number	Description	Qty
0	REFERENCE	54430027b SPEAKER INSTALLATION	
4	11602296	SCREW PNH PHL #8 SHT METAL W/#6 HEAD	2
5	11601220	U-NUT #8-SHT MTL	8
8	20511367	ENCLOSURE SPEAKER BAFFLE	2
16	16514846	SPEAKER 4"	1
NS_1	11600835	RIVET POP ALUM 3/16	8

Rear Structure

Assembly, Roll-up Door

55431031-WH000

Viewed from outside.



Rear Structure

Assembly, Roll-up Door

55431031-WH000

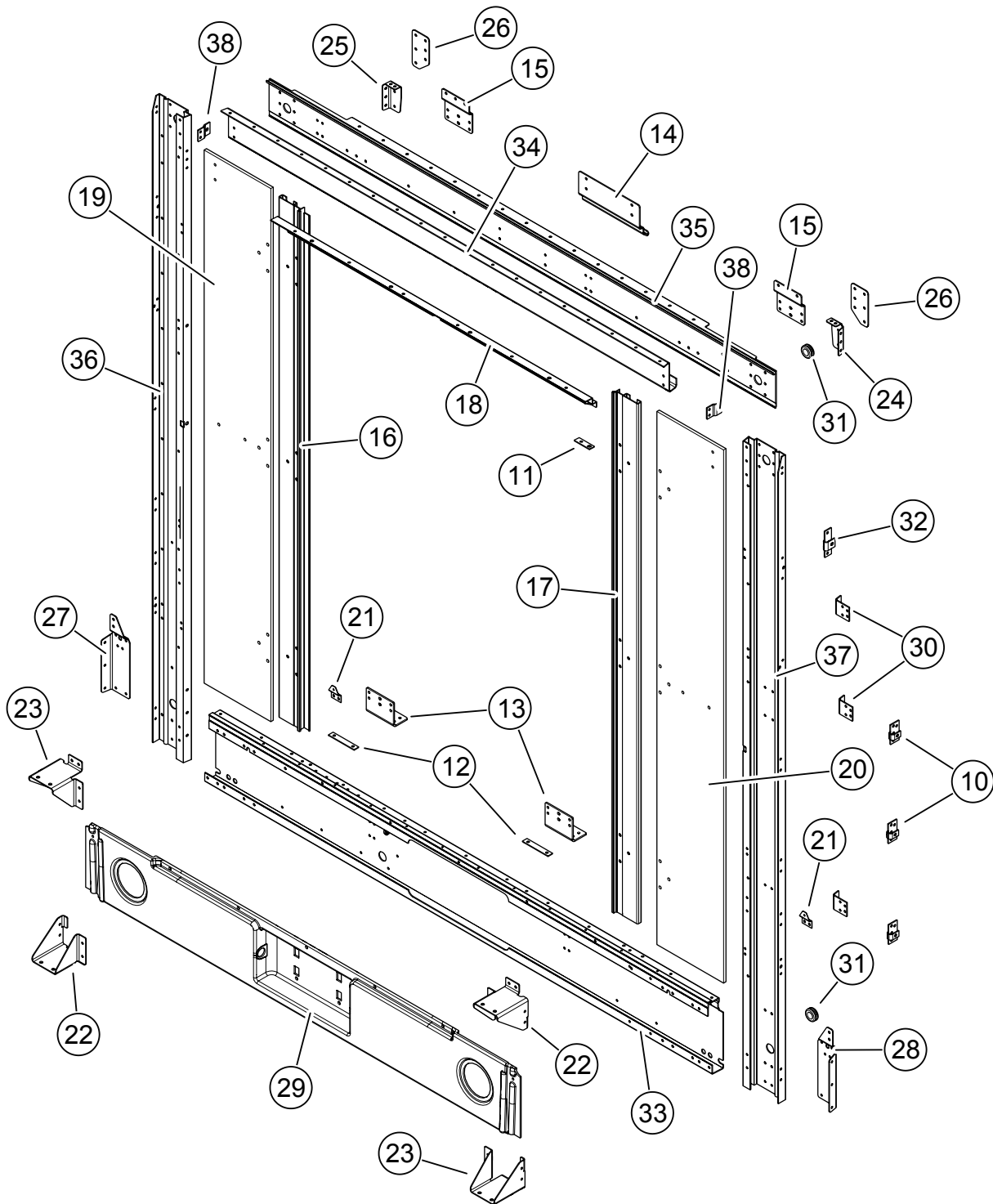
BOM ID	Part Number	Description	Qty
0	REFERENCE	55431031-WH000a REAR STR ASM 80H RU DOOR WHITE	1
10	20511287	KICKPLATE REAR PANEL CLADDING	1
11	22823685	BRACKET RR CLADDING OUTBOARD TOP	2
12	22823470	BRACKET DOCK BUMPER	2
13	22823469	BRACKET DOCK BUMPER	2
14	22823462	SUPPORT C-PILLAR TO HEADER RH	1
15	22823461	SUPPORT C-PILLAR TO HEADER LH	1
16	22823460	PLATE C-PILLAR TO HEADER	2
17	22825232	GUSSET KICKPLATE LH	1
18	22825231	GUSSET KICKPLATE RH	1
19	REFERENCE	55431016 TRACK UPPER SEAL SUB ASSY	1
20	06935020-0WL80	TRACK INNER LH 80H WHITE	1
21	06935020-0WR80	TRACK INNER RH 80H WHITE	1
22	06935313	BRKT CLADDING REAR OUTER UPPER	2
23	06934596	HEADER REAR STRUCTURE OUTER	1
24	06939091	LOWER REAR WALL SUPPORT	1
25	06934569	REAR STRUCTURE HEADER INNER	1
26	06939136	C PILLAR LH	1
27	06939135	C PILLAR RH	1
28	06933739	BRACKET CLADDING REAR INBOARD	8
29	06933740	BKT CLADDING REAR OUTBOARD LWR	8
30	06933741	BKT REAR CLADDING OUTBOARD TOP	2
31	16516367	HARNESS REAR LIGHTING STD INC BU	1

Rear Structure

Assembly, Swing Doors

55431035-SH000

Viewed from outside.



Rear Structure

Assembly, Swing Doors

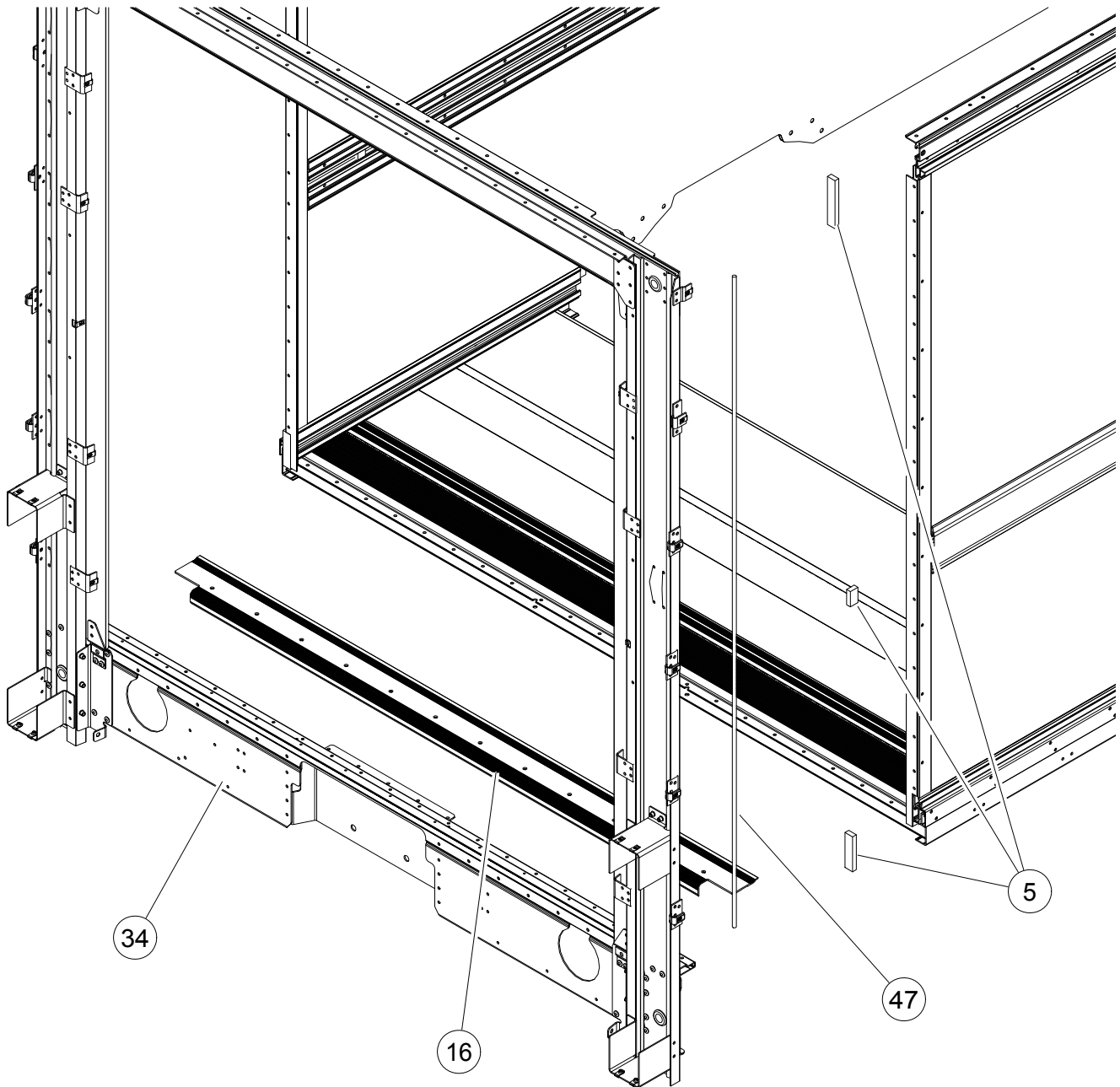
55431035-SH000

BOM ID	Part Number	Description
0	REFERENCE	55431035-SH000a RR STR ASSY SWING DOORS STD
10	06933740	BKT CLADDING REAR OUTBOARD LWR
11	06936035	PLATE INSERT RETAINER
12	06936026	BRACKET HINGE SUPPORT
13	06939700	BRACKET REAR WALL POST LOWER
14	22823529	PLATE UPR STRIKER SWG DOOR
15	22823528	BRKT POST SWING DOOR UPR
16	06935879-UH00L	POST DOOR SWING REAR UNF LH
17	06935879-UH00R	POST DOOR SWING REAR UNF RH
18	REFERENCE	55430014 TRACK UPR SEAL SWG DRS W/INS
19	02806674-WH00L	PANEL REAR WALL 80" LH WHITE
20	02806674-WH00R	PANEL REAR WALL 80" RH WHITE
21	22823685	BRACKET RR CLADDING OUTBOARD TOP
22	22823469	BRACKET DOCK BUMPER
23	22823470	BRACKET DOCK BUMPER
24	22823462	SUPPORT C-PILLAR TO HEADER RH
25	22823461	SUPPORT C-PILLAR TO HEADER LH
26	22823460	PLATE C-PILLAR TO HEADER
27	22825232	GUSSET KICKPLATE LH
28	22825231	GUSSET KICKPLATE RH
29	20511287	KICKPLATE REAR PANEL CLADDING
30	06933739	BRACKET CLADDING REAR INBOARD
31	08612026	GROMMET REAR STR PASS THRU 1.25
32	06935313	BRKT CLADDING REAR OUTER UPPER
33	06939091	LOWER REAR WALL SUPPORT
34	06934596	HEADER REAR STRUCTURE OUTER
35	06934569	REAR STRUCTURE HEADER INNER
36	06939136	C PILLAR LH
37	06939135	C PILLAR RH
38	06933741	BKT REAR CLADDING OUTBOARD TOP

Rear Structure

Installation, Roll-up Door

55430010

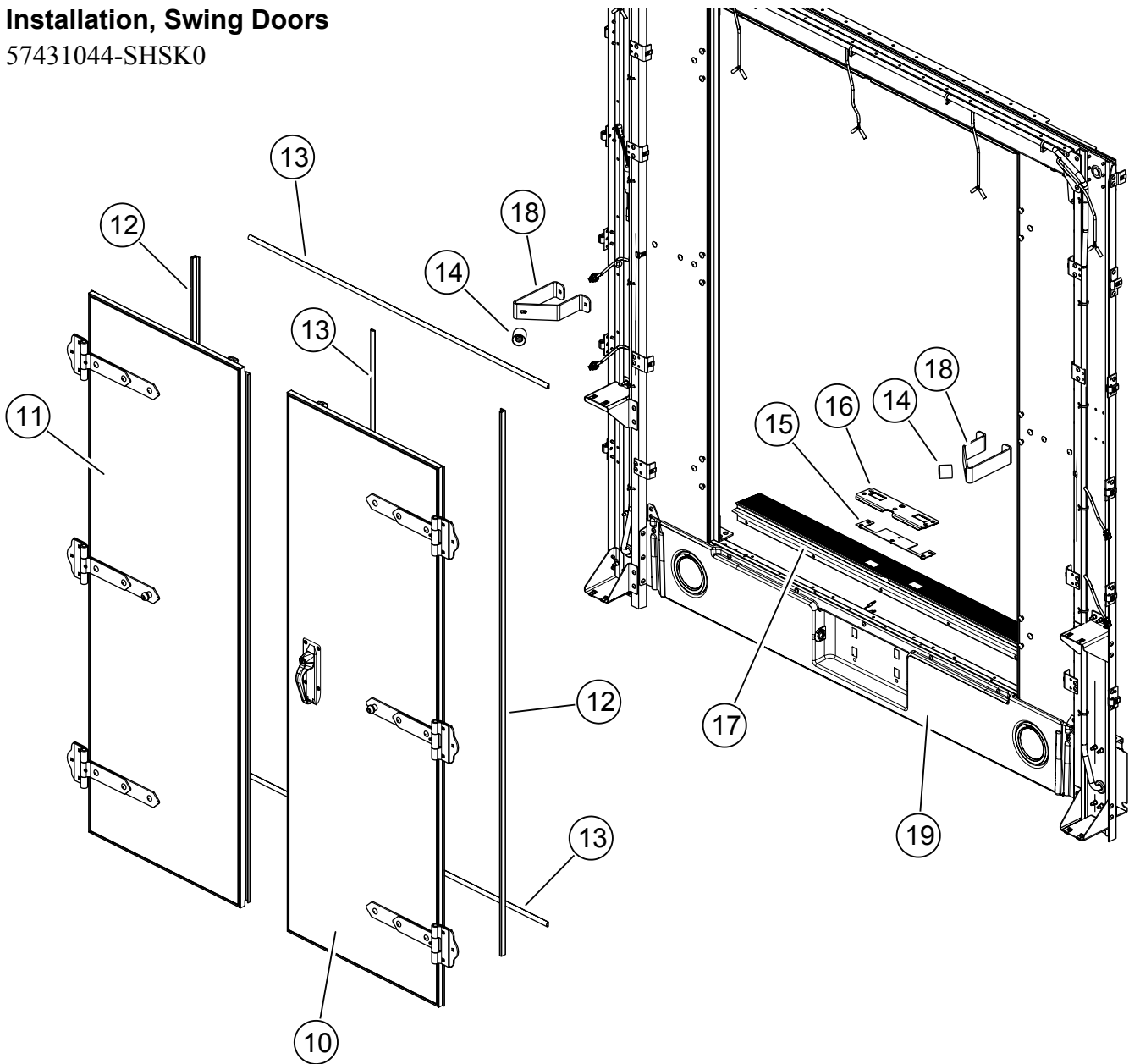


BOM ID	Part Number	Description	Qty
0	REFERENCE	55430010b REAR STRUCTURE INSTALL	
5	05705877	FOAM 1"x .5"	2
16	06934599	COVER REAR THRESHOLD	1
34	REFERENCE	REAR STRUCTURE ASSEMBLY	
47	12606173	TAPE BUTYL 3/8" OD x 20' PREMIUM GREY	1

Rear Structure

Installation, Swing Doors

57431044-SHSK0

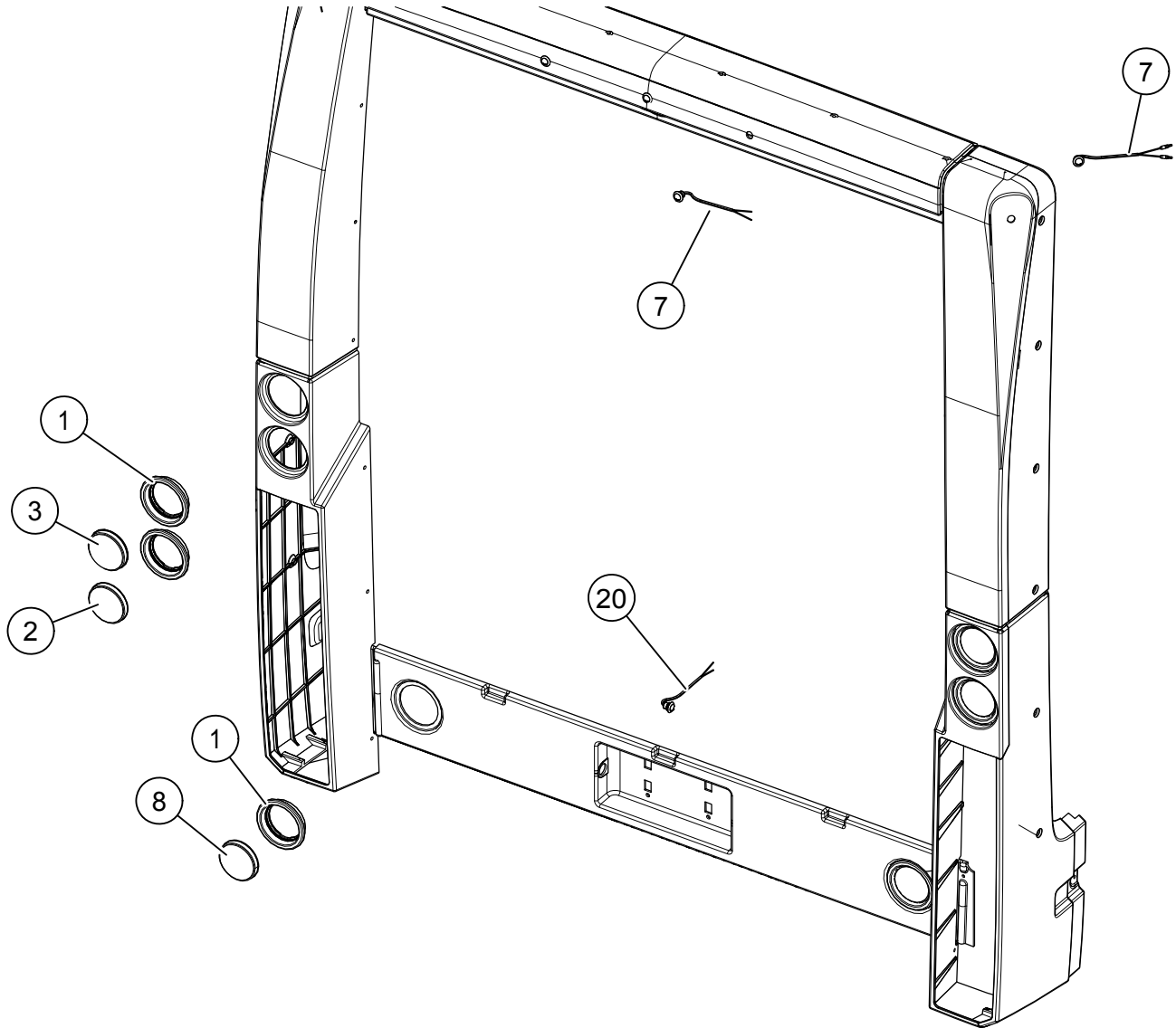


BOM ID	Part Number	Description
0	REFERENCE	57431044-SHSK0a DOOR INSTALL STD RR SWG
10	REFERENCE	57430031 DOOR ASSY REAR SWING RH
11	REFERENCE	57430032 DOOR ASSY REAR SWING LH
12	05705780	SEAL B REAR DOOR
13	05402183	SEAL "D" .375 x .625
14	08611172	DOOR HOLDER HARD W/MALE PLUG
15	22823626	PLATE RETAINER STRIKER LOWER
16	22823625	PLATE STRIKER LOWER DUAL
17	06939701	THRESHOLD REAR 2014
18	06936053-U0000	BRACKET REAR DOOR HOLDER MILL
19	REFERENCE	55431035 REAR STR ASM SWING DOOR

Rear Structure

Lights with Incandescent Back-up

55430011-00001



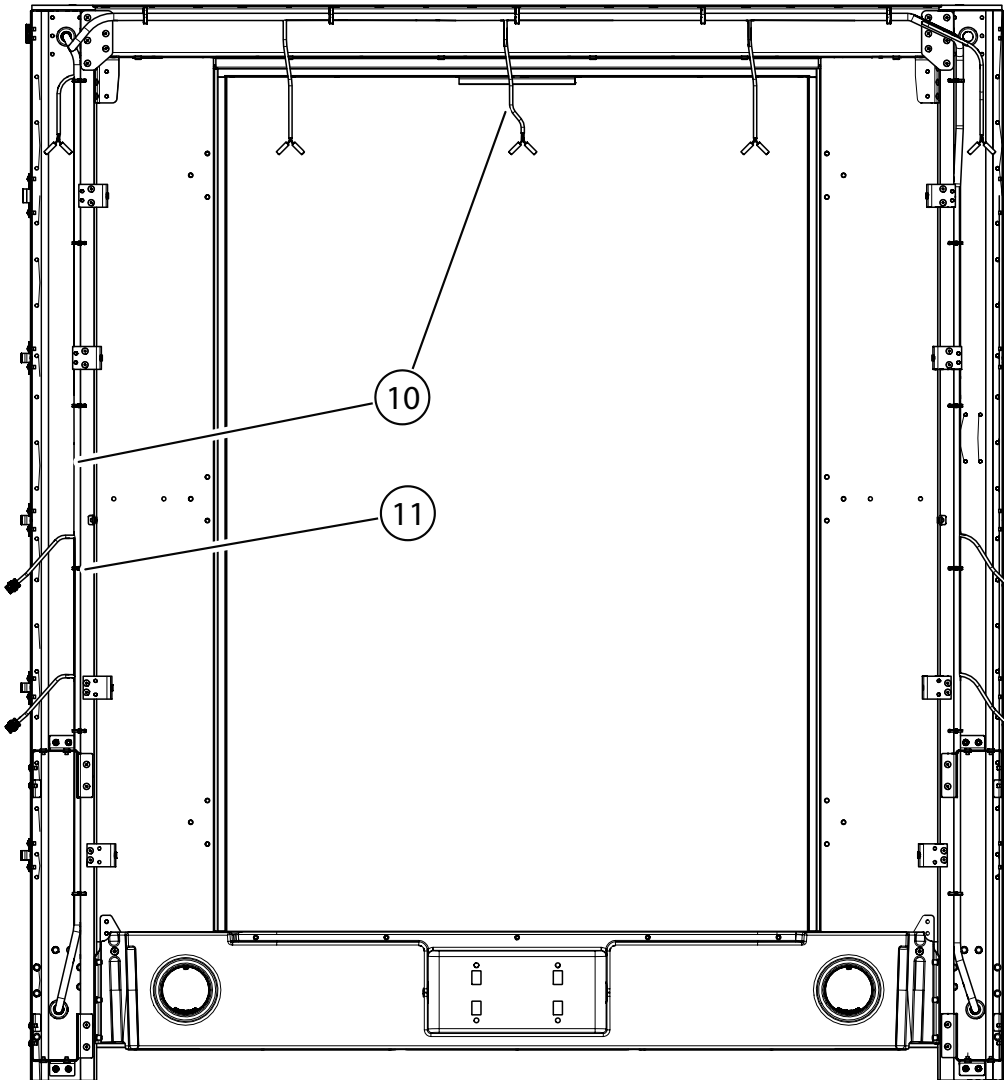
BOM ID	Part Number	Description	Qty
0	REFERENCE	55430011-00001f LIGHTS REAR INSTALL	
1	16512672	GROMMET 4" LAMP	6
2	16513156	LIGHT LED S/T/T GRM/MNT	2
3	16513157	LIGHT LED REAR TURN GR/MNT	2
7	16514632-R1120	LIGHT LED MINI RED	5
8	16514715	LAMP SEALED B-UP WHITE	2
20	16514632-C3140	LIGHT LED MINI CLR	1

Rear Structure

Harness with Incandescent Back-up Lights

Viewed from inside.

58431022-00001



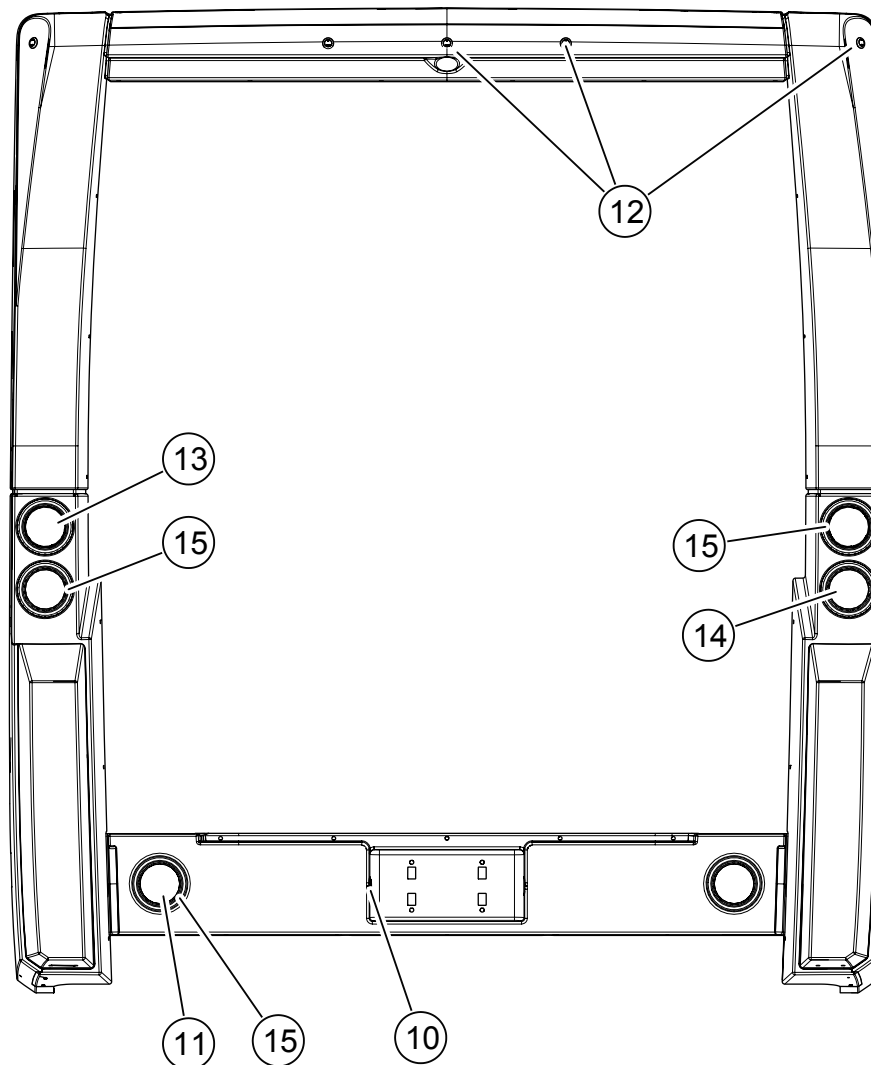
BOM ID	Part Number	Description	Qty
0	REFERENCE	58431022-00001f REAR STRUCTURE HARNESS	
10	16516367	HARNESS REAR LIGHTING STD INC BU	1
11	16605701	STRAP WIRE TIE BLK 15.5"	11

Rear Structure

Lights with LED Back-up

58431044-00001

Viewed from outside.



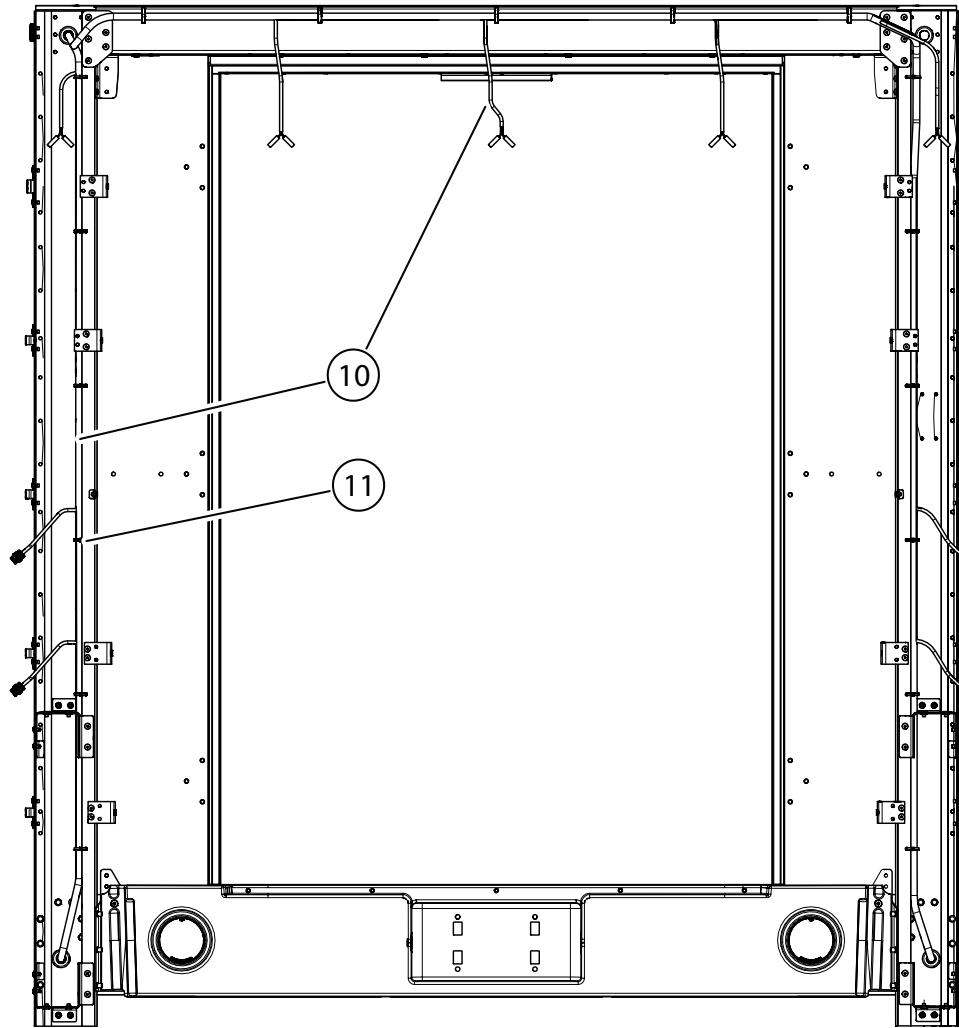
BOM ID	Part Number	Description	Qty
0	REFERENCE	58431044-00001b REAR LIGHTS STD	
10	16514632-C3140	LIGHT LED MINI CLR SAE	1
11	16514715	LIGHT LED BACKUP GRM MNT	2
12	16514632-R1120	LIGHT LED MINI RED	5
13	16513157	LIGHT LED REAR TURN GRM MNT YLW	2
14	16513156	LIGHT LED S/T/T GRM MNT	2
15	16512672	GROMMET 4" LAMP	6

Rear Structure

Harness with LED Back-up Lights

58431022-00002

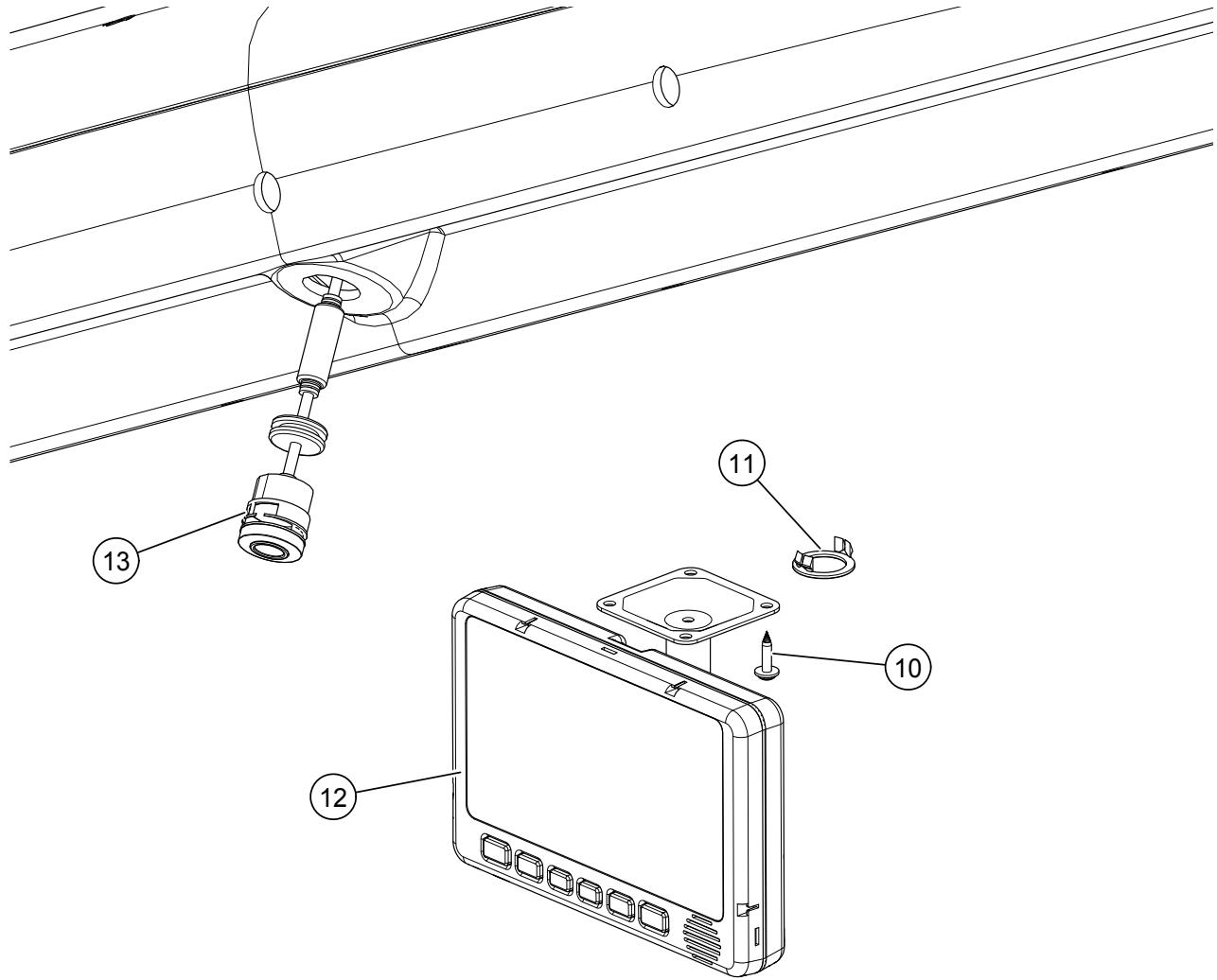
Viewed from inside.



BOM ID	Part Number	Description	Qty
0	REFERENCE	58431022-00002f REAR STRCT HARNESS STD LED BU	
10	16515126	HARNESS REAR LIGHTING STD LED BU	1
11	16605701	STRAP WIRE TIE BLK 15.5"	11

Rear Vision Camera, WX-Series

58431035-00001

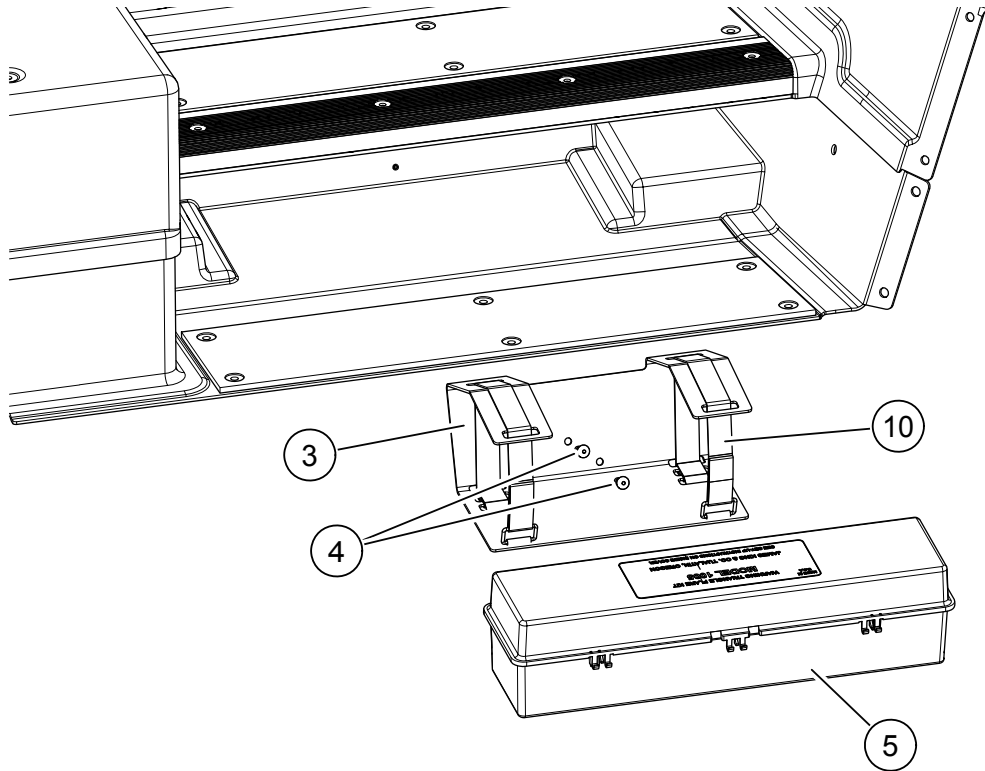


BOM ID	Part Number	Description	Qty
0	REFERENCE	58431035-00001a BACK-UP CAMERA W-SERIES	
10	11601234	SCREW PNH PHL M4.2-1.41x19 BO	4
11	16500138	BUSHING SNAP 1"	1
12	16516340-MN004	MONITOR COLOR 7"	1
13	16516340-CM003	CAMERA COLOR RR SND	1
NS_1	16516340-CX4225	CABLE 25'	1
NS_2	16516433	HARNESS FRONT OVERHEAD PARCEL	1

Order the complete rear vision camera upfit kit 23003432SK.

Reflector Kit

64430048



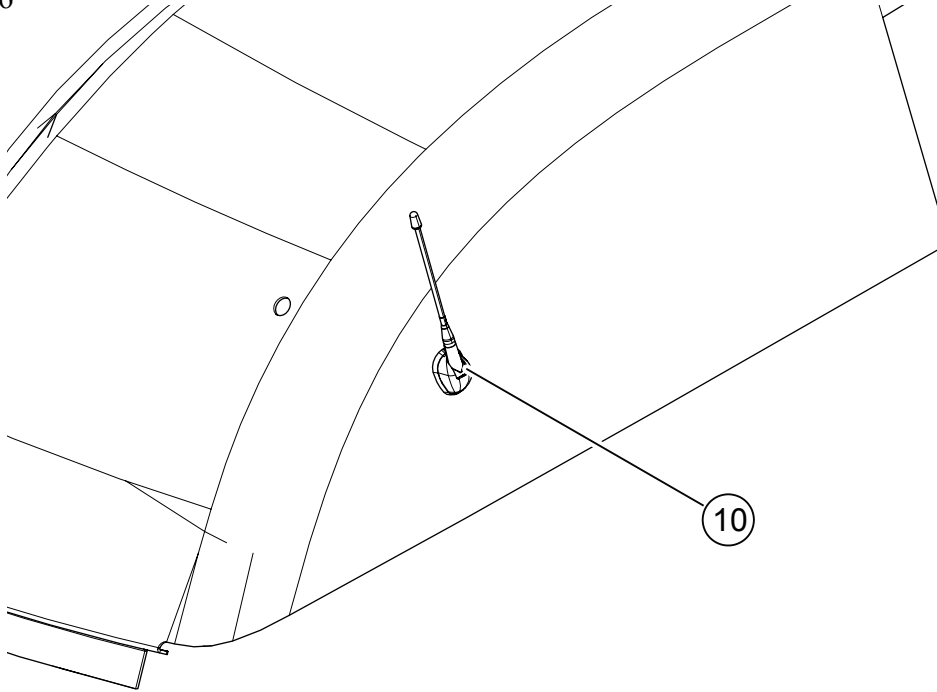
BOM ID	Part Number	Description	Qty
0	64430048SK	64430048b REFLECTOR KIT	
3	06938112	TRIANGLE FLARE KIT MOUNT	1
4	11400024	MAG-L PRO 1/4 STL .080-.625G ZN L	2
5	15201720	REFLECTOR KIT TRIANGLE	1
10	21313469	STRAP REFLECTOR TIE	2

Order the complete reflector upfit kit 64430048SK.

Roof

Antenna

64431066

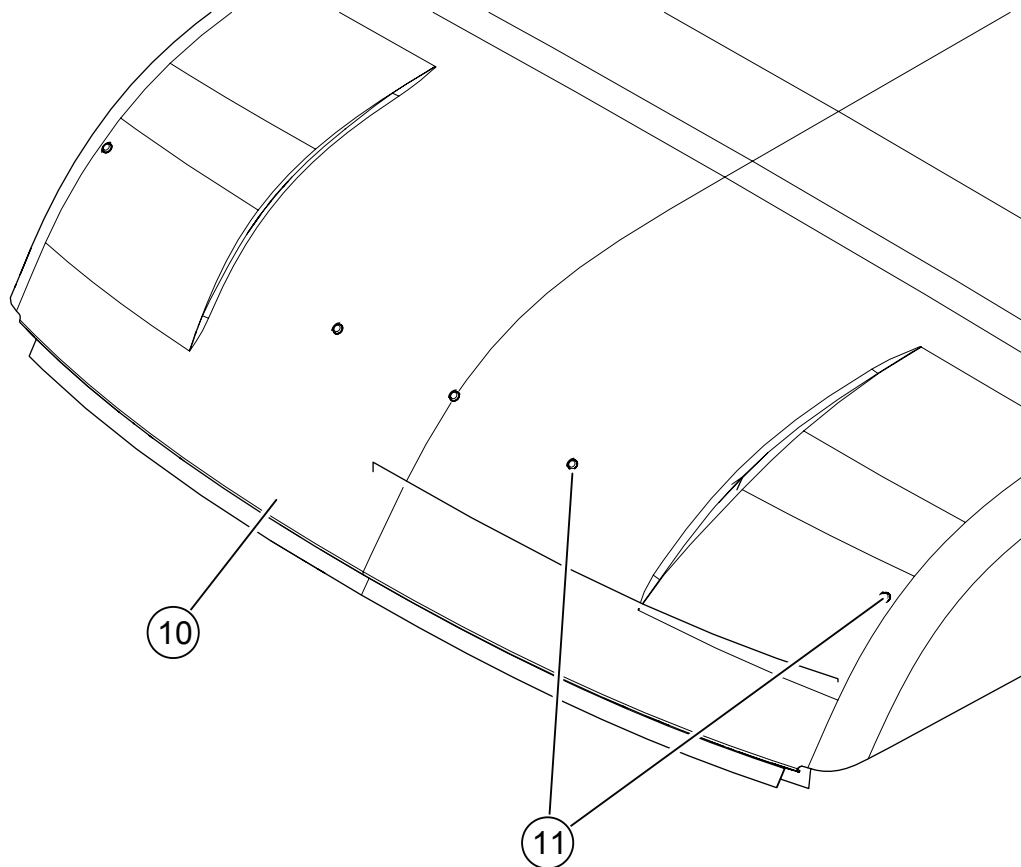


BOM ID	Part Number	Description
0	REFERENCE	64431066b ANTENNA
10	16514842	ANTENNA
NS_1	16513368	ANTENNA EXTENSION 12'

Roof

Front Clearance Lights

58431045-00000

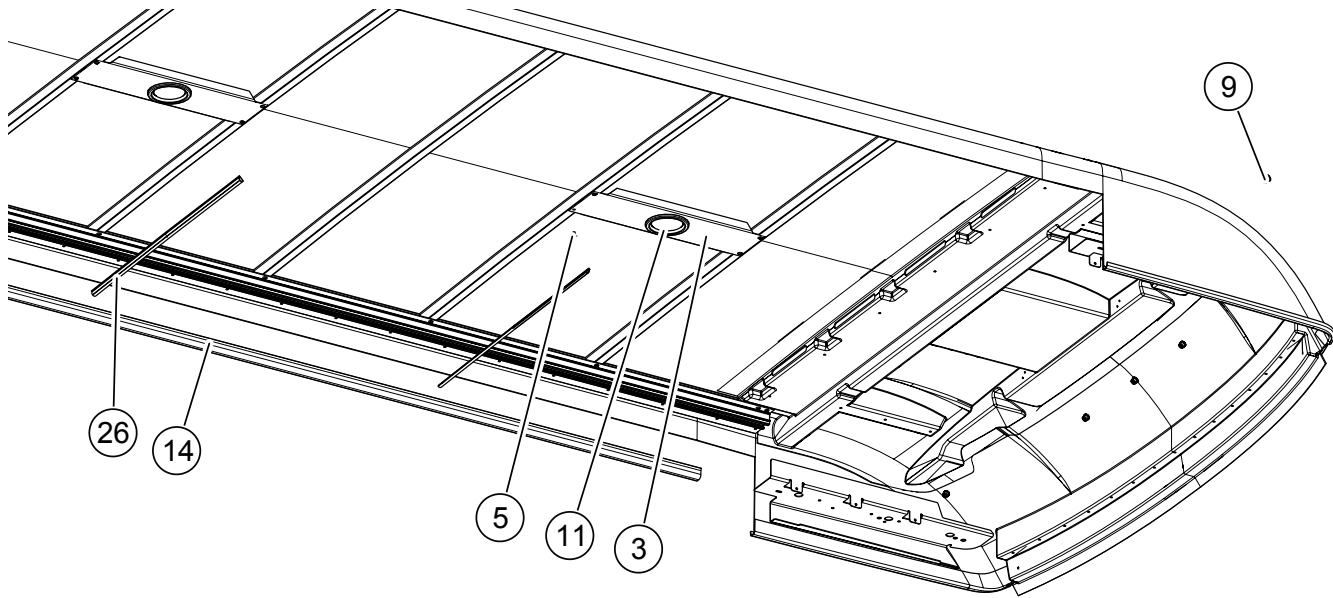


BOM ID	Part Number	Description
0	REFERENCE	58431045-00000b ROOF LIGHTS
10	REFERENCE	ROOF ASSY
11	16514632-Y1110	LIGHT LED MINI AMBR

Roof

Round Cargo Lights

56431004-CHE00A

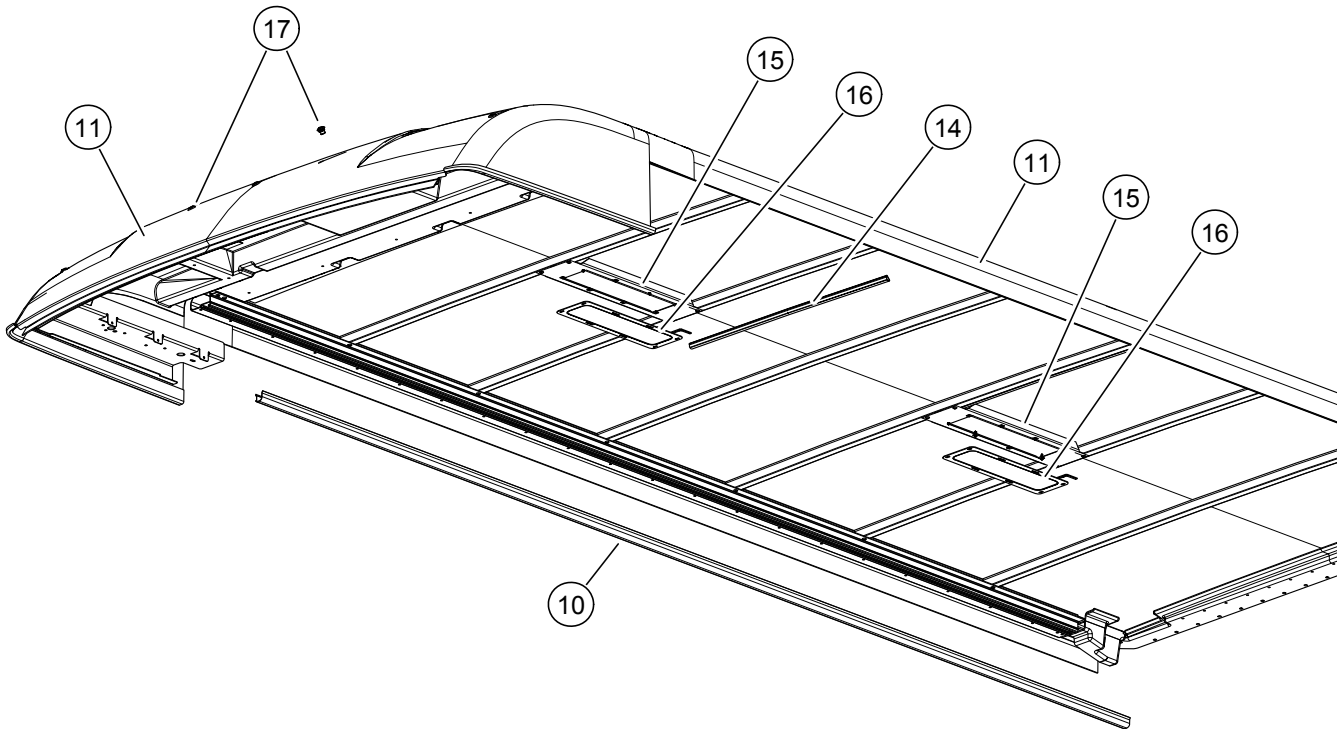


BOM ID	Part Number	Description	Qty
0	REFERENCE	56431004-CHE00Ab ROOF ASSY PREP 14' STD	
3	06937733-0000A	BACKER CARGO LIGHT ROUND	2
5	11400023	MAGNA-LOC 1/4" STL SHORT	8
9	16514632-Y1110	LIGHT LED MINI AMBR	5
11	16516688	LIGHT LED DOME RND 4"	2
14	20511326-16188	EXTRUSION ROOF HARNESS 161.88	2
26	20512576	ROOF BOW HARNESS 36.00	3
NS_1	16515124-01400	HARNESS ROOF STANDARD 14'	1
NS_2	16515132	HARNESS DUAL CARGO LIGHT	1
NS_3	12606136	TAPE 3/4" VHB	1

Roof

Rectangle Cargo Lights

56431004-CHE0PB



BOM ID	Part Number	Description
0	REFERENCE	56431004-CHE0PBf/h ROOF ASSY 14' RECT OPT
10	20511326-16188	EXTRUSION ROOF HARNESS 161.88
11	20512564-WHE000	ROOF ASSY WHITE 14' 80H
14	20512576	ROOF BOW HARNESS 36.00
15	06937733-0000B	BACKER CARGO LIGHT RECT
16	16514716	LIGHT LED CARGO 16 x 4
17	16514632-Y1110	LIGHT LED MINI AMBR PC
NS_1	16515198-01400	HARNESS ROOF PARCEL 14'
NS_2	16515130	HARNESS SGL CAB\CARGO LIGHT STD
NS_3	12606173	TAPE BUTYL 3/8" OD x 20' PREMIUM GREY
NS_4	12607207	SEAL ROOF AQUABLOCK .5 x 2 x FT

Roof

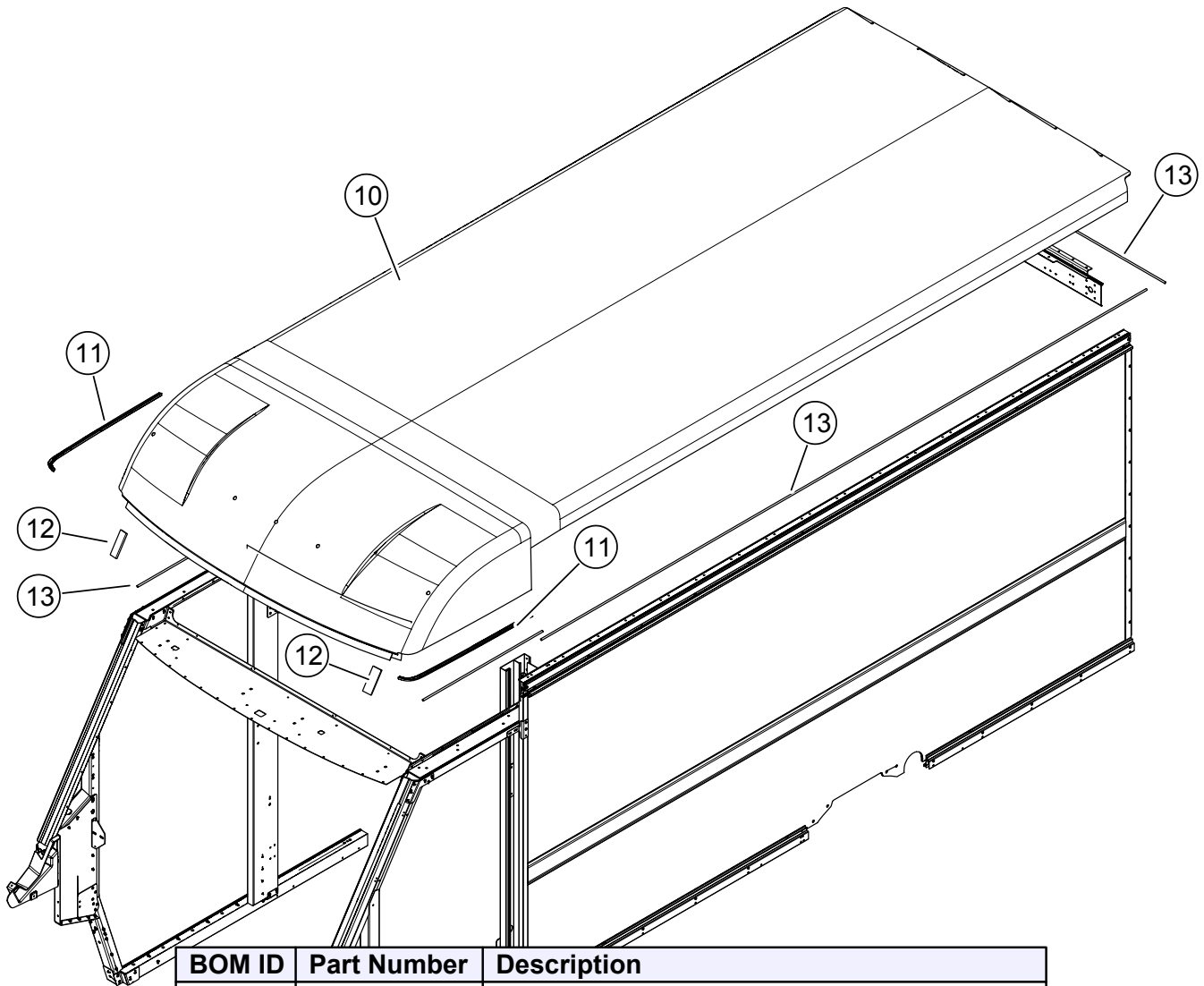
Installation

56431007

Paint code references for body panels:

WHITE: Sherwin-Williams White G2N77175

BROWN: Sherwin-Williams Brown G2N32668
or DuPont Imron Brown 744412-HN



BOM ID	Part Number	Description
0	REFERENCE	56431007b ROOF INSTALL
10	REFERENCE	20512660 ROOF ASSY
11	05706970	DRIP RAIL SELF ADHESIVE 3'
12	12607207	SEAL ROOF AQUABLOCK .5 x 2 x FT
13	12606173	TAPE BUTYL 3/8" OD x 20' PREMIUM GREY

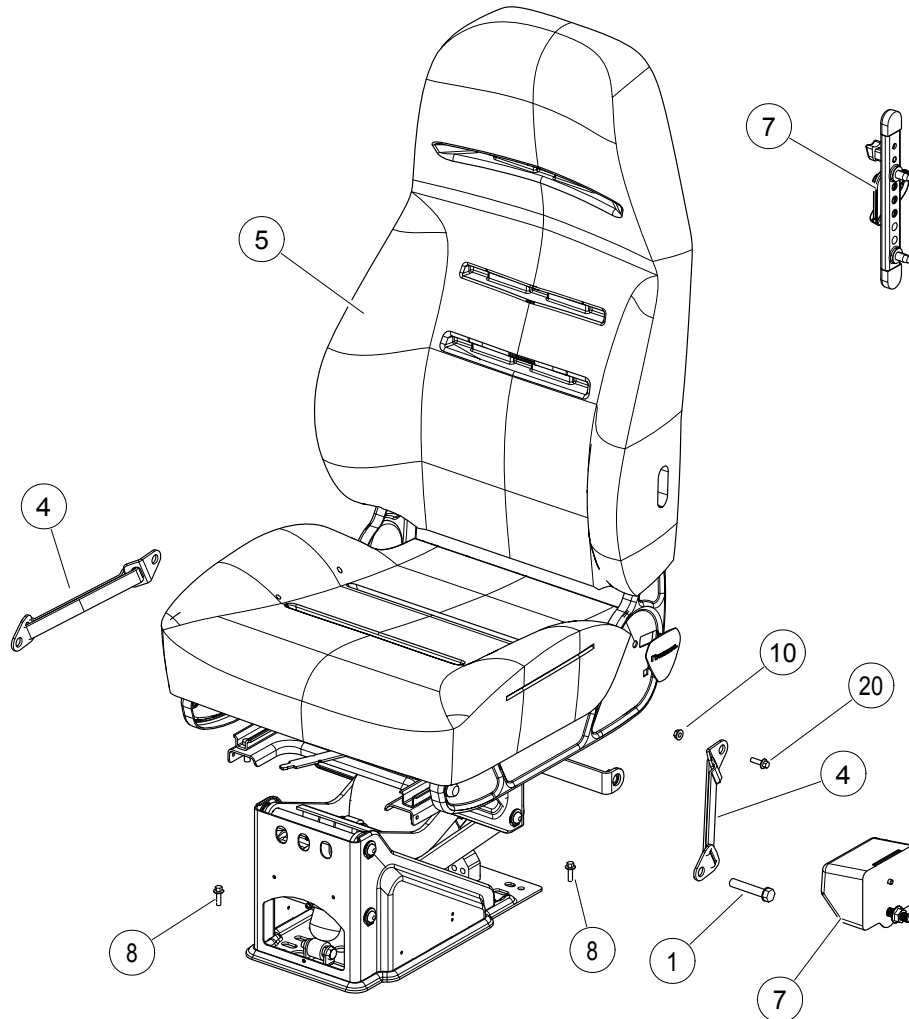
Seating

Driver's Configurations

Black Cordura Heated with Arm Rest and Black Belt

52430025-ALRHB

NOTE: The seat belt, buckle, retractor, and mounting hardware are included in the seat belt part number. Armrest not shown.



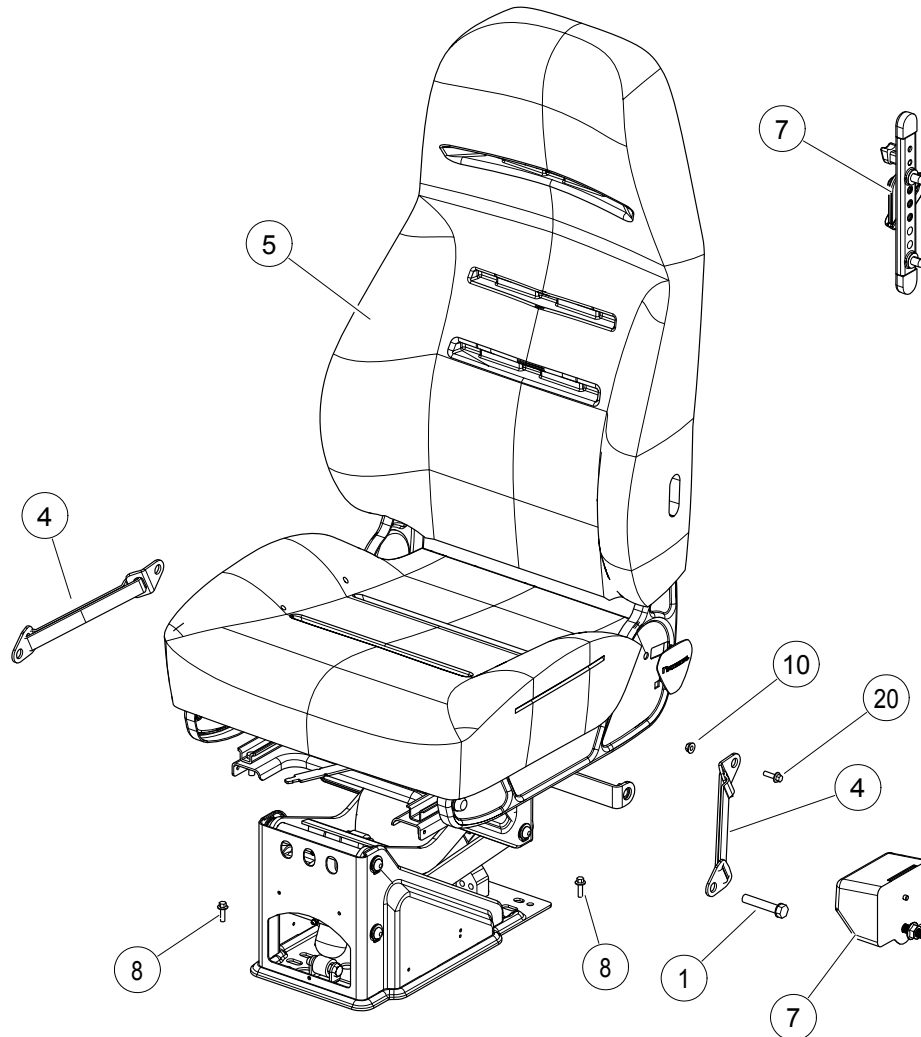
BOM ID	Part Number	Description	Qty
0	REFERENCE	52430025-ALRHBc ST ASY A/RIDE HTD BLK CORD W/ARM/BL	
1	UT29-BB1-010	BOLT M12-1.25 X 30 FLG G8.8 BZ PTCH	2
4	13672616	TETHER NON-ADJUSTABLE 6.85	2
5	13672625-BLRH0	ST DRVR A/RIDE HTD BK CORD (W/ARM NOT SHOWN)	1
7	21312104	BELT 3PT 4"ADJ BLACK 149" 2 WIRE 10.2	1
8	UT29-BB1-007	BOLT M8-1.25X25 FLG G8.8 BZ PTCH (4)	4
10	M10150FN3X	NUT M10-1.50 FLG G8.8 BZ	2
20	11600657	BOLT SHLDR 7/16-20 x 2-5/16	2
30_NS	16515129	HARNESS POWER SEAT	1
40_NS	UT29-BB1-009	BOLT M10-1.50 X 30 FLG G8.8 BZ PATCH	1

Seating

Driver's, Air Ride Configurations Black Vinyl with Armrest and Black Seat Belt

52430025-AVR0B

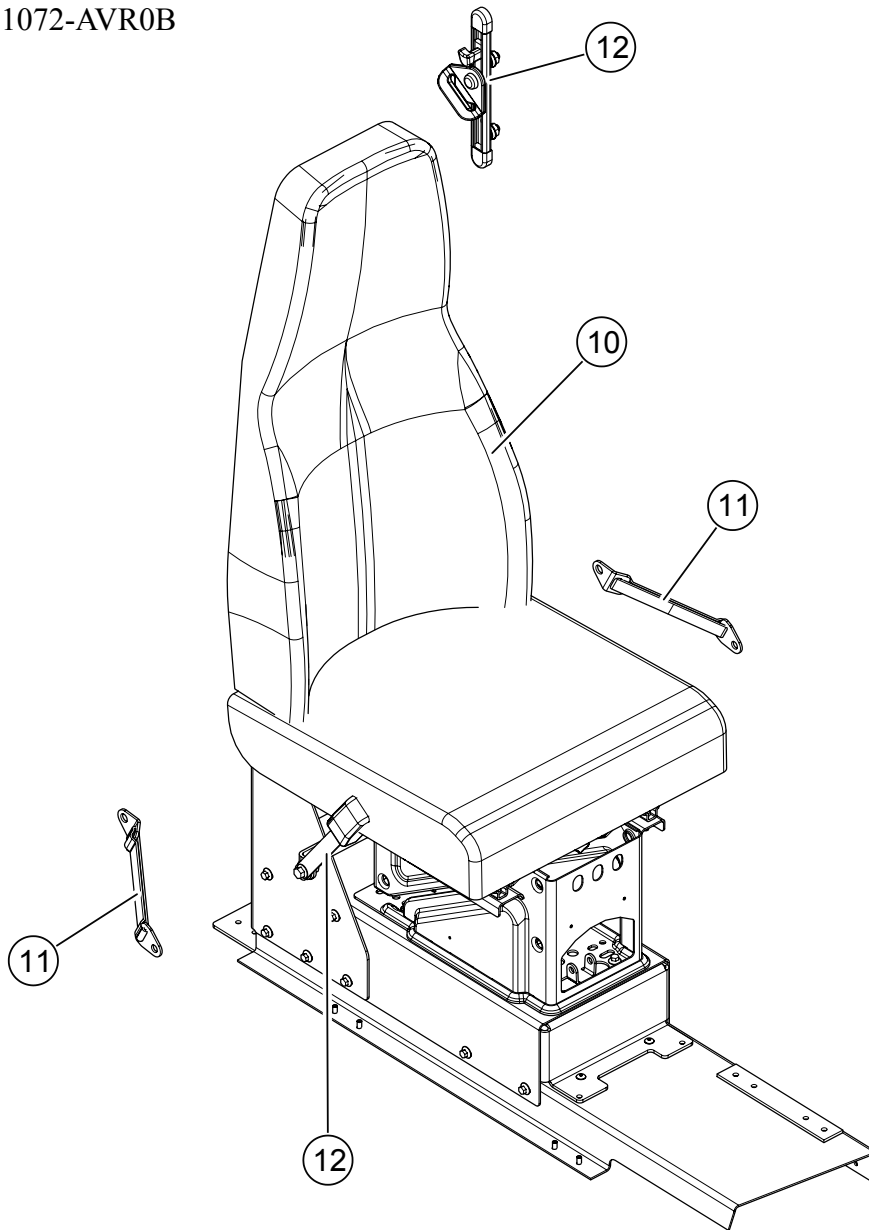
*NOTE: The seat belt, retractor, and mounting hardware are included in the seat belt part number.
Armrest not shown.*



BOM ID	Part Number	Description	Qty
0	REFERENCE	52430025-AVR0Bc ST ASY DRVR BL VL AR W/ARM/BL SB	
1	UT29-BB1-010	BOLT M12-1.25 X 30 FLG G8.8 BZ PTCH	2
4	13672616	TETHER NON-ADJUSTABLE 6.85	2
5	13672625-BVR00	ST DRIVER AIR RIDE BLK VINL W/ARM	1
7	21312104	BELT 3PT 4"ADJ BLACK 149" 2 WIRE 10.2	1
8	UT29-BB1-007	BOLT M8-1.25X25 FLG G8.8 BZ PTCH	4
10	M10150FN3X	NUT M10-1.50 FLG G8.8 BZ	2
20	11600657	BOLT SHLDR 7/16-20 x 2-5/16	2
40_NS	UT29-BB1-009	BOLT M10-1.50 X 30 FLG G8.8 BZ PATCH	1

Seating

Driver's, Air Ride Configurations Black Vinyl with Orange Seat Belt 52431072-AVR0B

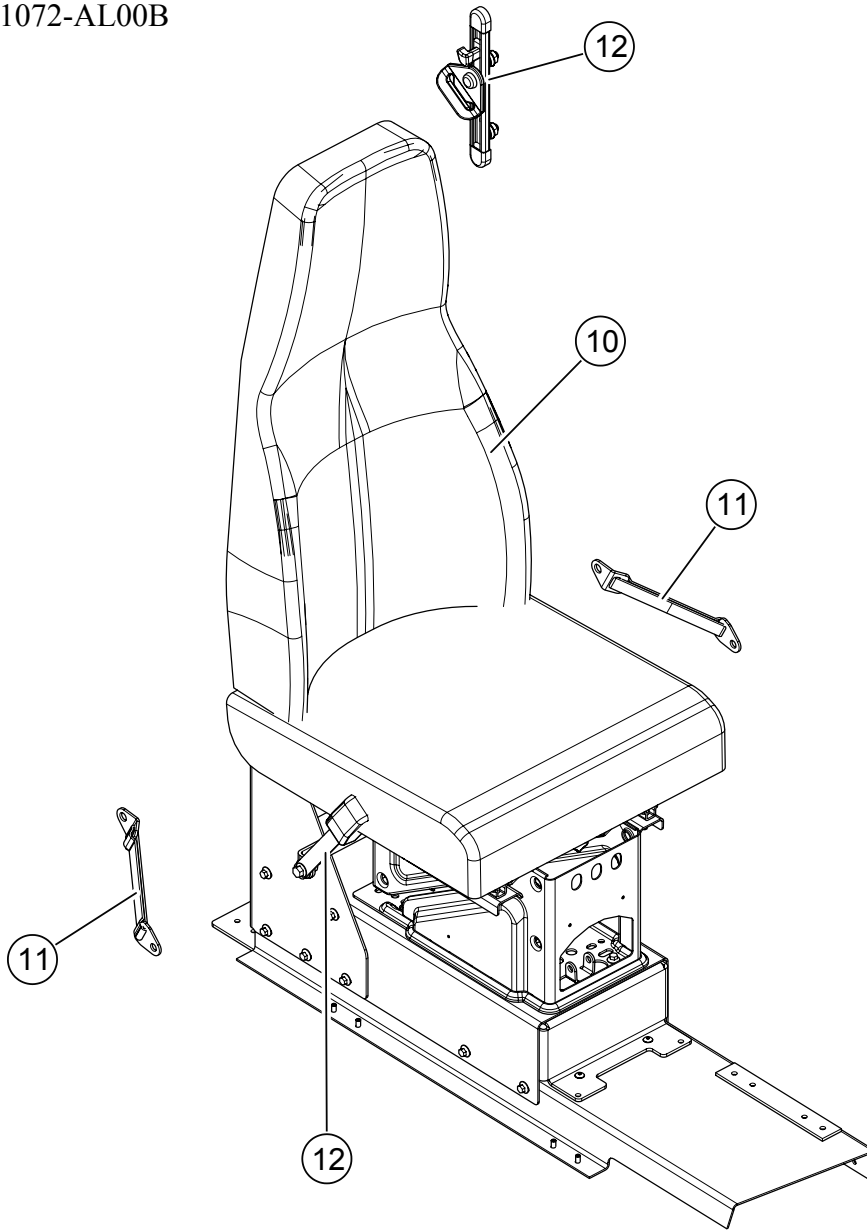


BOM ID	Part Number	Description
0	REFERENCE	52431072-AVR0Bb ST ASY DRVR A/RIDE BLK CORD W/BL SB
10	13672625-BVR00	ST DRVER AIR RIDE BLK VINL W/ARM
11	13672616	TETHER NON-ADJUSTABLE 6.85
12	21312104	BELT 3PT 4" ADJ BLACK 149" 2 WIRE 10.2
NS_1	16515129	HARNESS POWER SEAT
NS_2	16500096	GROMMET RBR 1.31 ID x 2OD
NS_3	16512507	WIRE CLIP W/ADH

Seating

Driver's, Air Ride Configurations Black Cordura with Black Seat Belt

52431072-AL00B



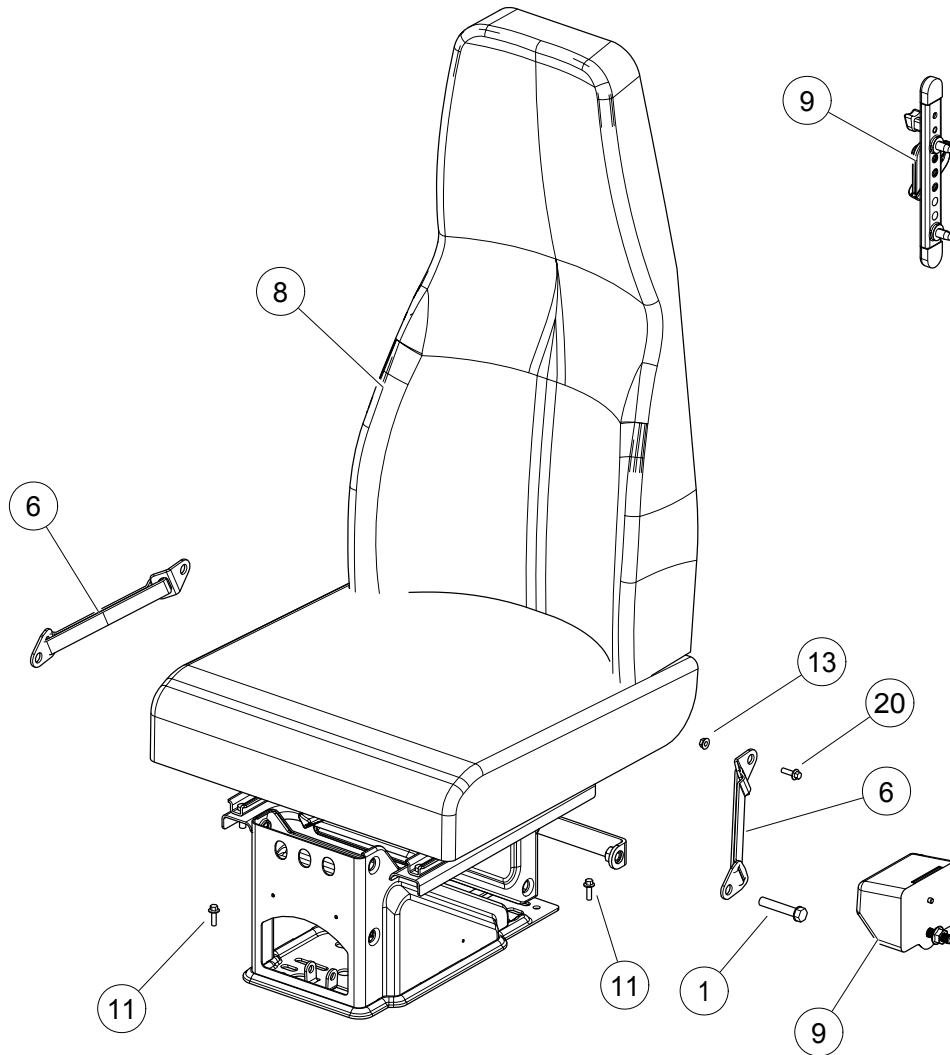
BOM ID	Part Number	Description
0	REFERENCE	52431072-AL00Bb ST ASY DRVR A/RIDE BLK CORD W/BL SB
10	13672625-BL000	SEAT DRIVERS AIR RIDE BLACK CORD WITH PED
11	13672616	TETHER NON-ADJUSTABLE 6.85
12	21312104	BELT 3PT 4" ADJ BLACK 149" 2 WIRE 10.2
NS_1	16515129	HARNESS POWER SEAT
NS_2	16500096	GROMMET RBR 1.31 ID x 2OD
NS_3	16512507	WIRE CLIP W/ADH

Seating

Driver's, Standard Configurations Black Cordura with Black Seat Belt

52430025-BL00B

NOTE: The seat belt, buckle, retractor, and mounting hardware are included in the seat belt part number.



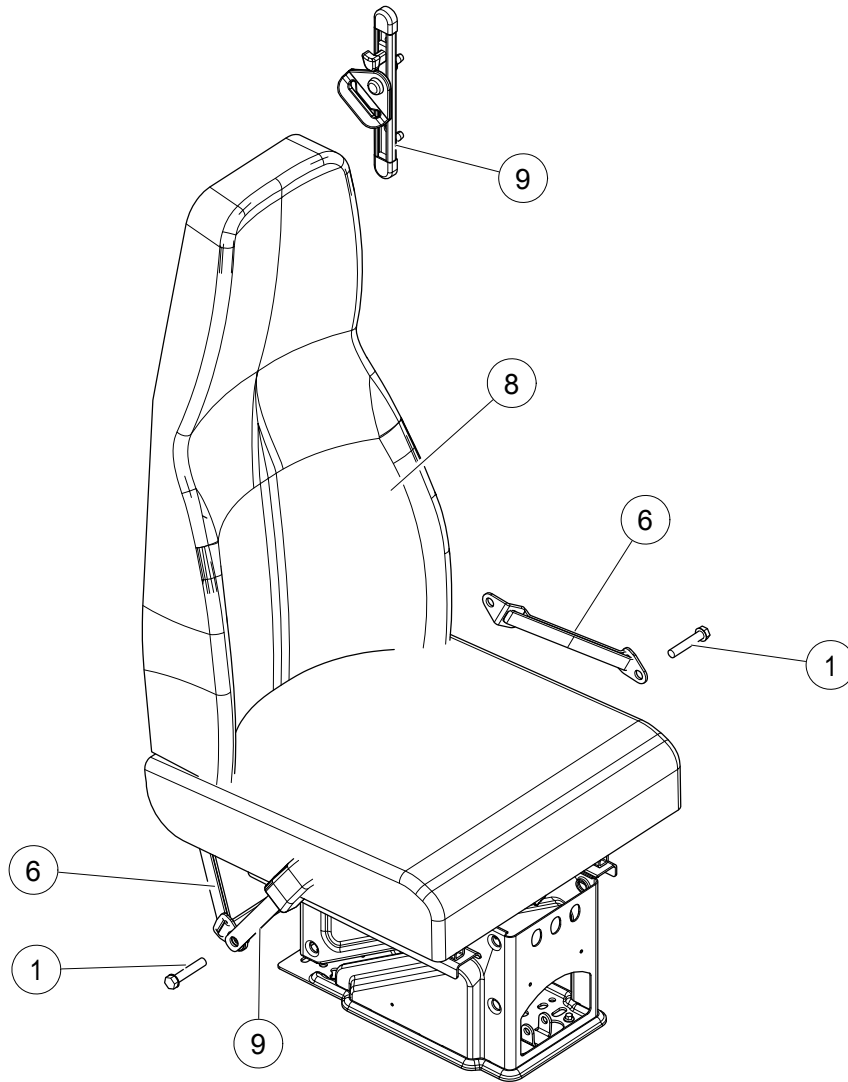
BOM ID	Part Number	Description	Qty
0	REFERENCE	52430025-BL00Bc ST ASSY DRVR BLACK CORD W/BL SB	
1	UT29-BB1-010	BOLT M12-1.25 X 30 FLG G8.8 BZ PTCH	2
6	13672616	TETHER NON-ADJUSTABLE 6.85	2
8	13672620-BL000	SEAT DRIVERS ADJ HIGHT BLK CORD	1
9	21312104	BELT 3PT 4" ADJ BLACK 149" 2-WIRE 10.2	1
11	UT29-BB1-007	BOLT M8-1.25 X 25 FLG G8.8 BZ PTCH	4
13	M10150FN3X	NUT M10-1.50 FLG G8.8 BZ	2
20	11600657	BOLT SHLDR 7/16-20 x 2-5/16	2

Seating

Driver's, Standard Configurations Black Cordura with Orange Seat Belt

52430025-BL00R

NOTE: The seat belt, buckle, retractor, and mounting hardware are included in the seat belt part number.

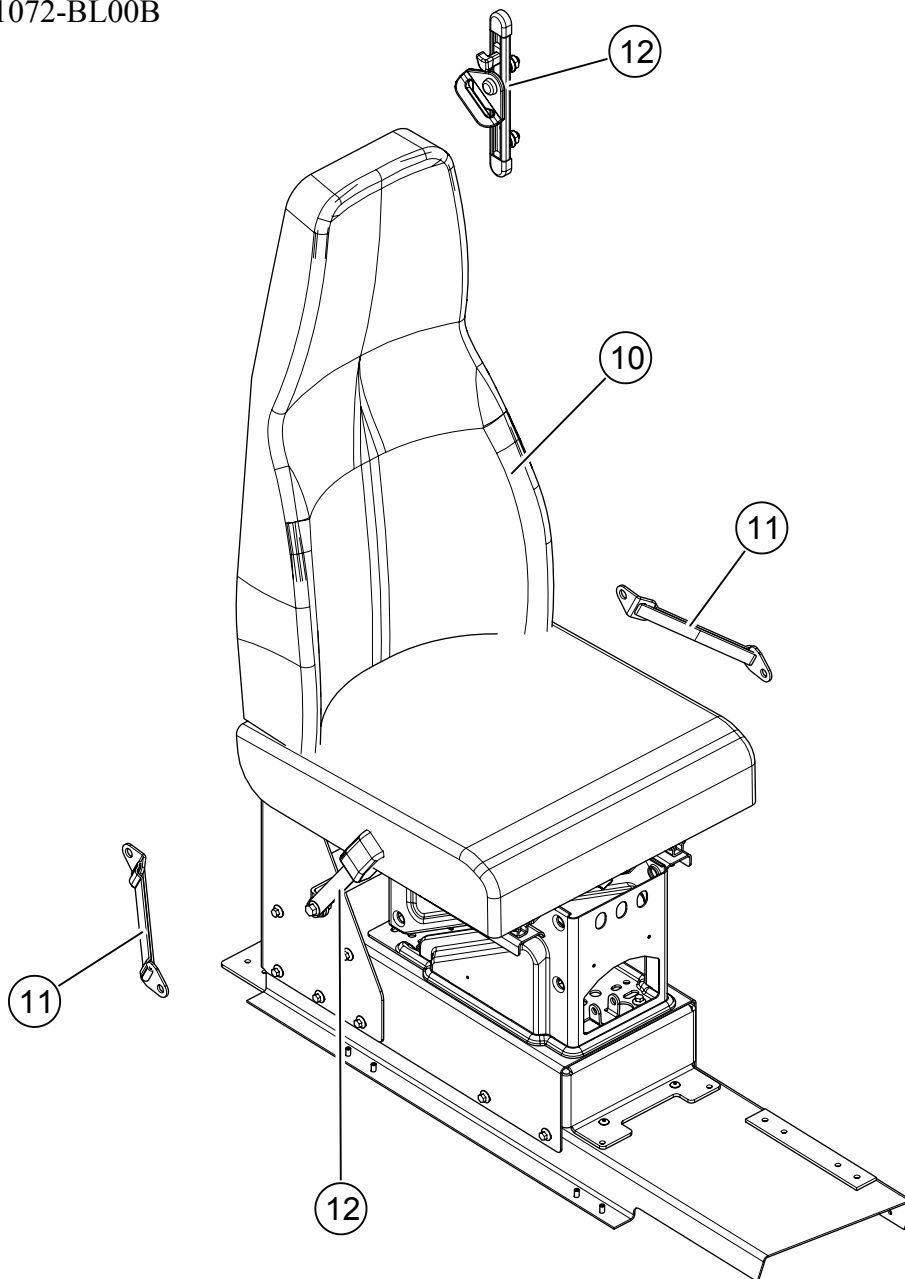


BOM ID	Part Number	Description	Qty
0	REFERENCE	52430025-BL00Rb ST ASSY DRVR BLK CORD W/OR SB	
1	11600657	BOLT SHLDR 7/16-20 x 2-5/16	2
6	13672616	TETHER NON-ADJUSTABLE 6.85	2
8	13672620-BL000	SEAT DRIVERS ADJ HIGHT BLK CORD	1
9	21312103	BELT 3PT 4"ADJ ORNGE 149" 2 WIRE 10.2	1

Seating

Driver's, Standard Configurations Black Cordura with Black Seat Belt

52431072-BL00B



BOM ID	Part Number	Description
0	REFERENCE	52431072-BL00Bb ST ASY DRVR BLACK CORD W/BL SB
10	13672620-BL000	SEAT DRIVERS ADJ HIGHT BLK CORD
11	13672616	TETHER NON-ADJUSTABLE 6.85
12	21312104	BELT 3PT 4" ADJ BLACK 149" 2 WIRE 10.2

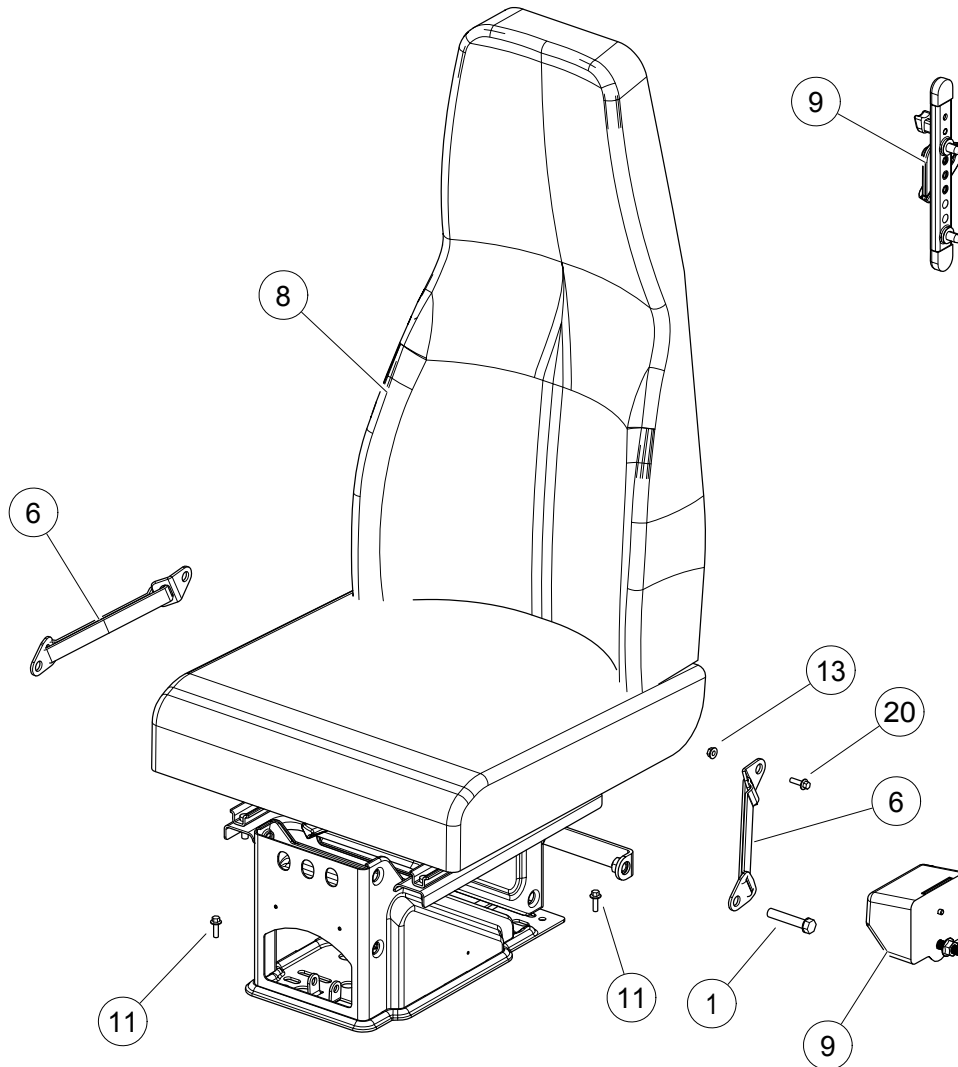
Seating

Driver's, Standard Configurations Black Cordura Heated with Arm Rest and Black Seat Belt

52430025-BLRHB

NOTE: The seat belt, buckle, retractor, and mounting hardware are included in the seat belt part number.

NOTE: Armrest not shown.



BOM ID	Part Number	Description	Qty
0	REFERENCE	52430025-BLRHBc ST ASY DRVR BLK CORD HTD/ARM BL SB	
1	UT29-BB1-010	BOLT M12-1.25 X 30 FLG G8.8 BZ PTCH	2
6	13672616	TETHER NON-ADJUSTABLE 6.85	2
8	13672620-BLRH0	ST DRVR ADJ HIGHT BLK CORD HTD/ARM	1
9	21312104	BELT 3PT 4" ADJ BLACK 149" 2-WIRE 10.2	1
11	UT29-BB1-007	BOLT M8-1.25 X 25 FLG G8.8 BZ PTCH	4
13	M10150FN3X	NUT M10-1.50 FLG G8.8 BZ	2
20	11600657	BOLT SHLDR 7/16-20 x 2-5/16	2

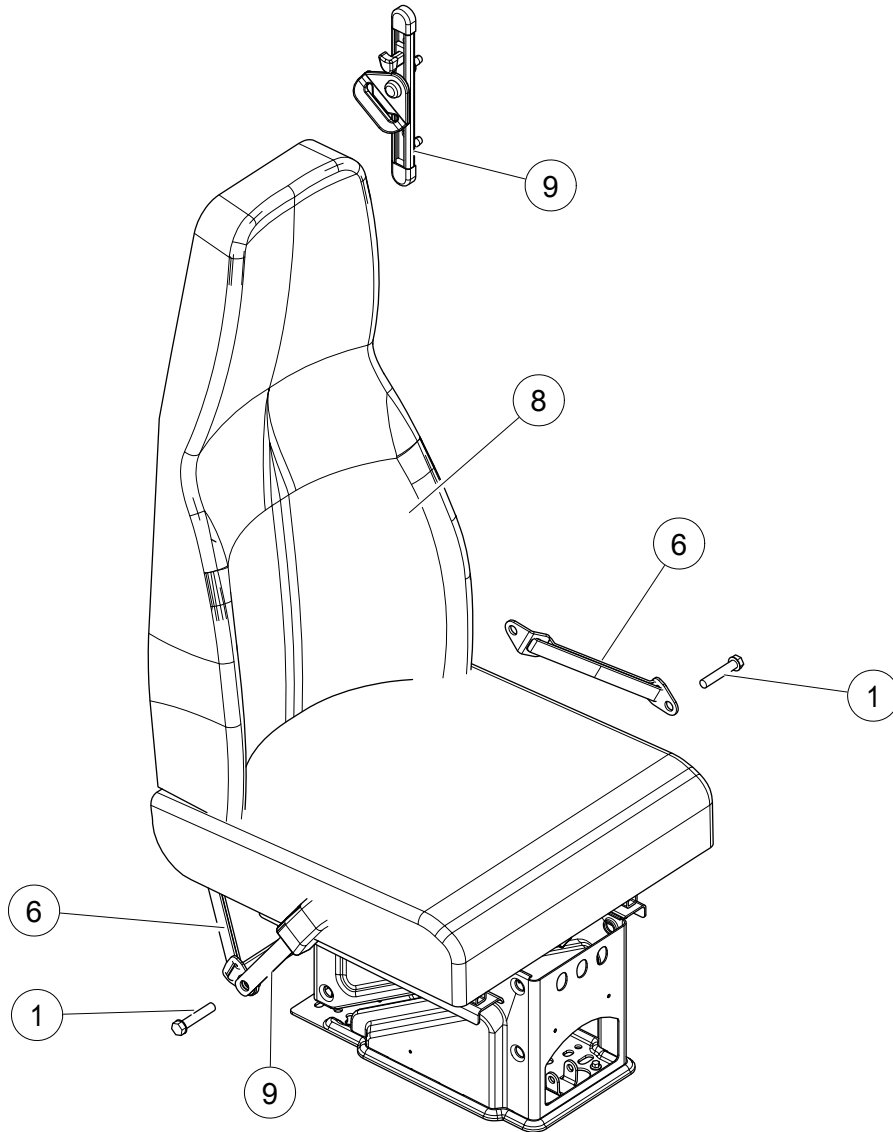
Seating

Driver's, Standard Configurations Black Vinyl Heated with Arm Rest and Black Seat Belt

52430025-BVRHB

NOTE: The seat belt, buckle, retractor, and mounting hardware are included in the seat belt part number.

NOTE: Armrest not shown.

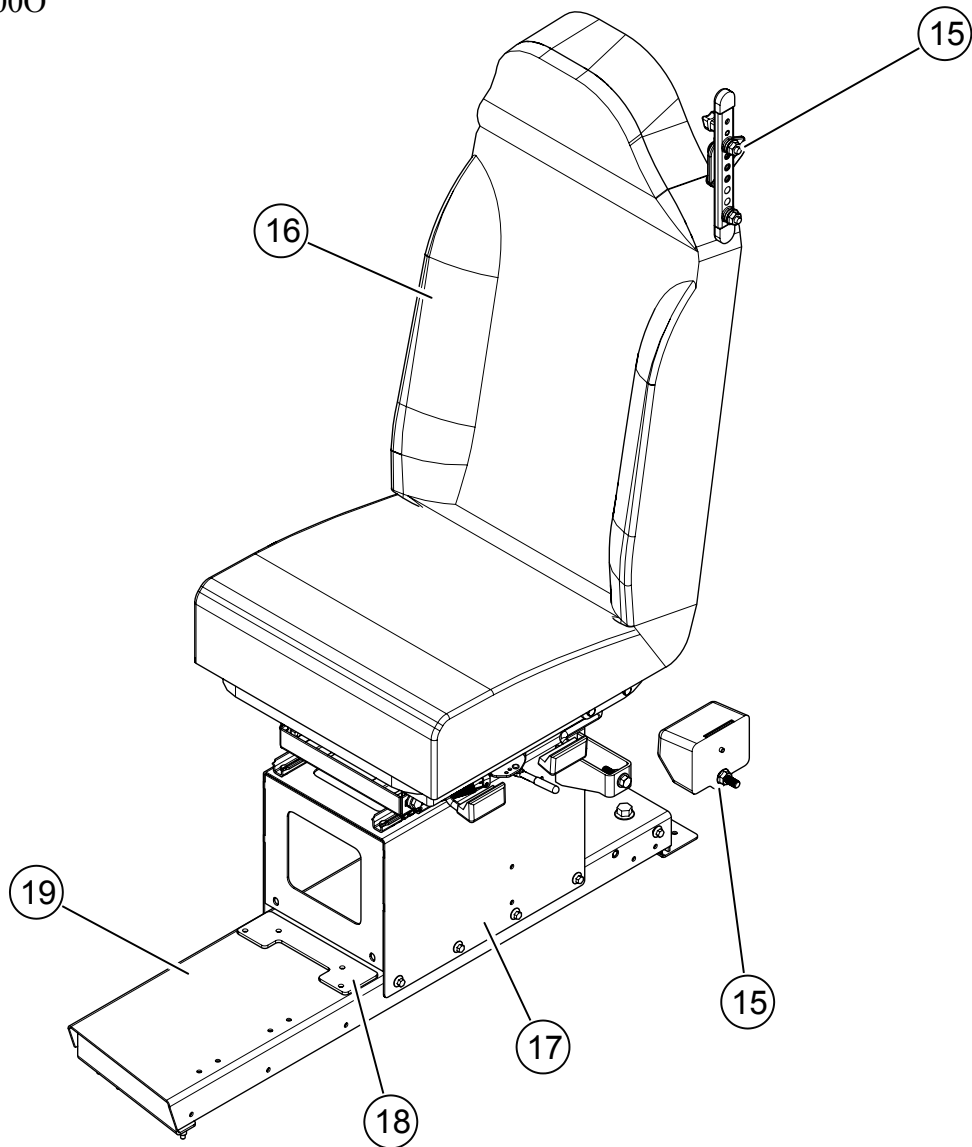


BOM ID	Part Number	Description	Qty
0	REFERENCE	52430025-BVRHBc ST ASY DRVR BLK VINL HTD/ARM BL SB	
1	11600657	BOLT SHLDR 7/16-20 x 2-5/16	2
6	13672616	TETHER NON-ADJUSTABLE 6.85	2
8	13672620-BVRH0	ST DRVR ADJ HIGHT BLK VINL HTD/ARM	1
9	21312103	BELT 3PT 4"ADJ BLACK 149" 2 WIRE 10.2	1

Seating

Driver's Parcel Configurations Black Cordura with Orange Seat Belt

52431051-BE000

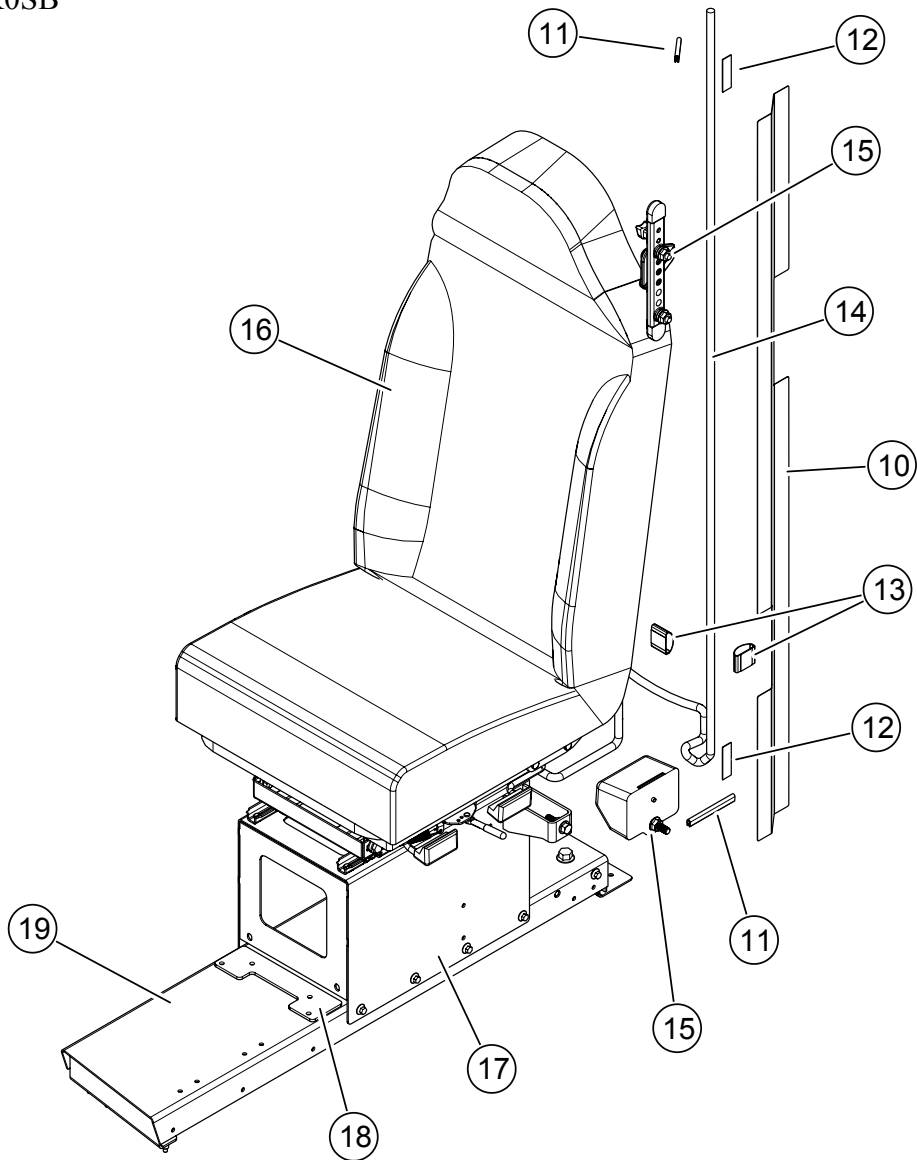


BOM ID	Part Number	Description
0	REFERENCE	52431051-BE000d DRVR SEAT INSTALL
15	21313565	SEAT BELT ASSY ORANGE
16	13673656	SEAT ASSY BLK ETERNAL FABRIC
16_A	08613542	RISER SEAT ASSY
16_B	08613541	SLIDE SEAT 7" LOCKG W/HDL
16_C	08613540	SLIDE SEAT 7" NON-LOCKING
17	22825597	SEAT MOUNT ASSY
18	22825657	CLOSE-OUT PLATE

Order the complete parcel seat upfit kit 23003536SK.

Seating

Driver's Parcel Configurations Brown Cordura with Black Seat Belt 52431051-BR0SB



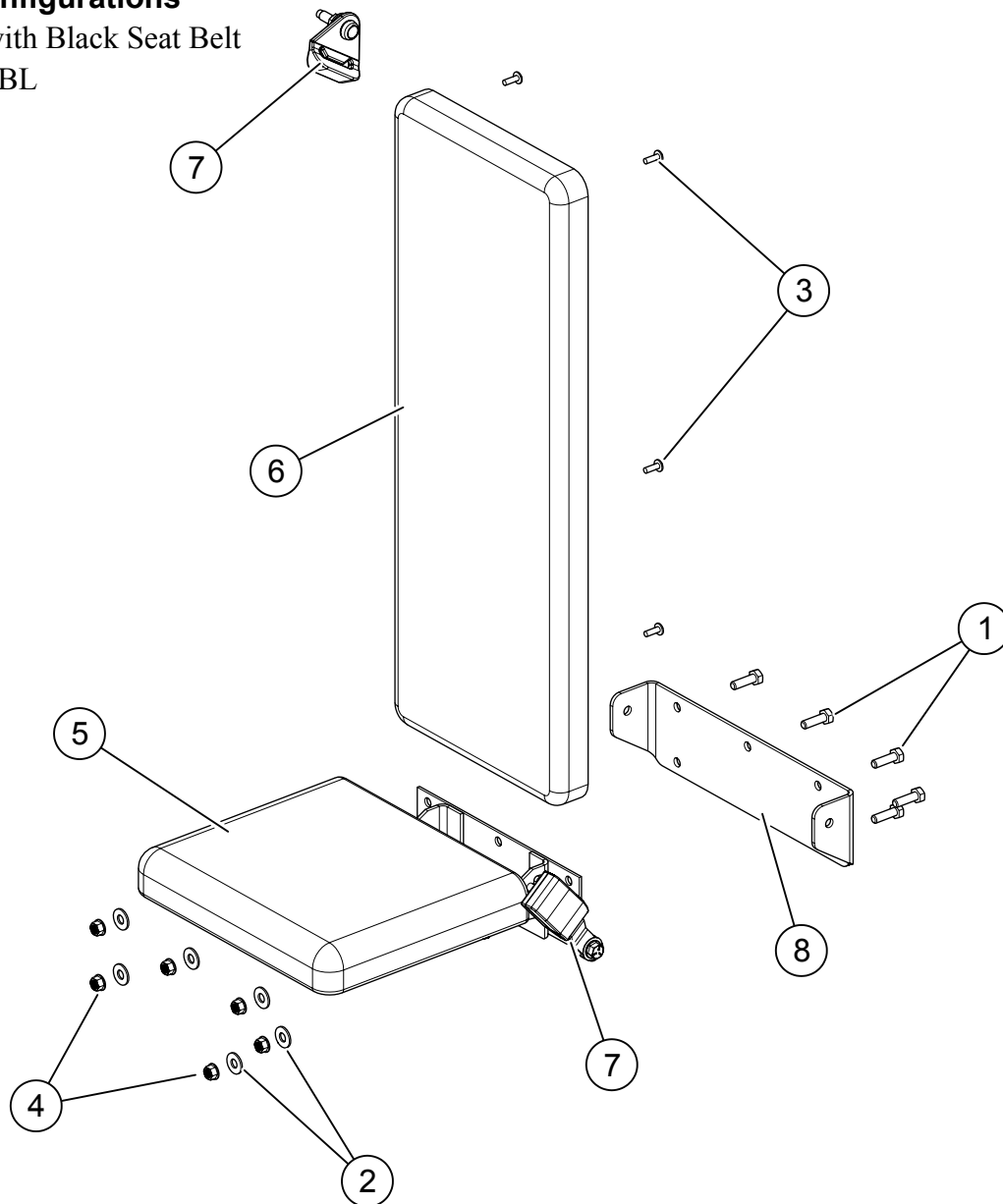
BOM ID	Part Number	Description
0	REFERENCE	52431051-BE000d DRVR SEAT INSTALL
10	06935604	WIRE COVER
11	05302302	TRIM LOK BLK 1/8" W/ALUM INST
12	12606136	TAPE 3/4" VHB
13	16512507	WIRE CLIP W/ADH
14	16516378	HARNESS UPS SEAT AND BHD SW
15	21312104	BELT 3PT 4"ADJ BLACK 149" 2 WIRE
16	13673640	SEAT ASSY W/ BRWN CORDURA
16_A	08613542	RISER SEAT ASSY
16_B	08613541	SLIDE SEAT 7" LOCKG W/HDL
16_C	08613540	SLIDE SEAT 7" NON-LOCKING
17	22825507	SEAT MOUNT ASSY

Seating

Jump Seat Configurations

Black Cordura with Black Seat Belt

54430017-00BLBL



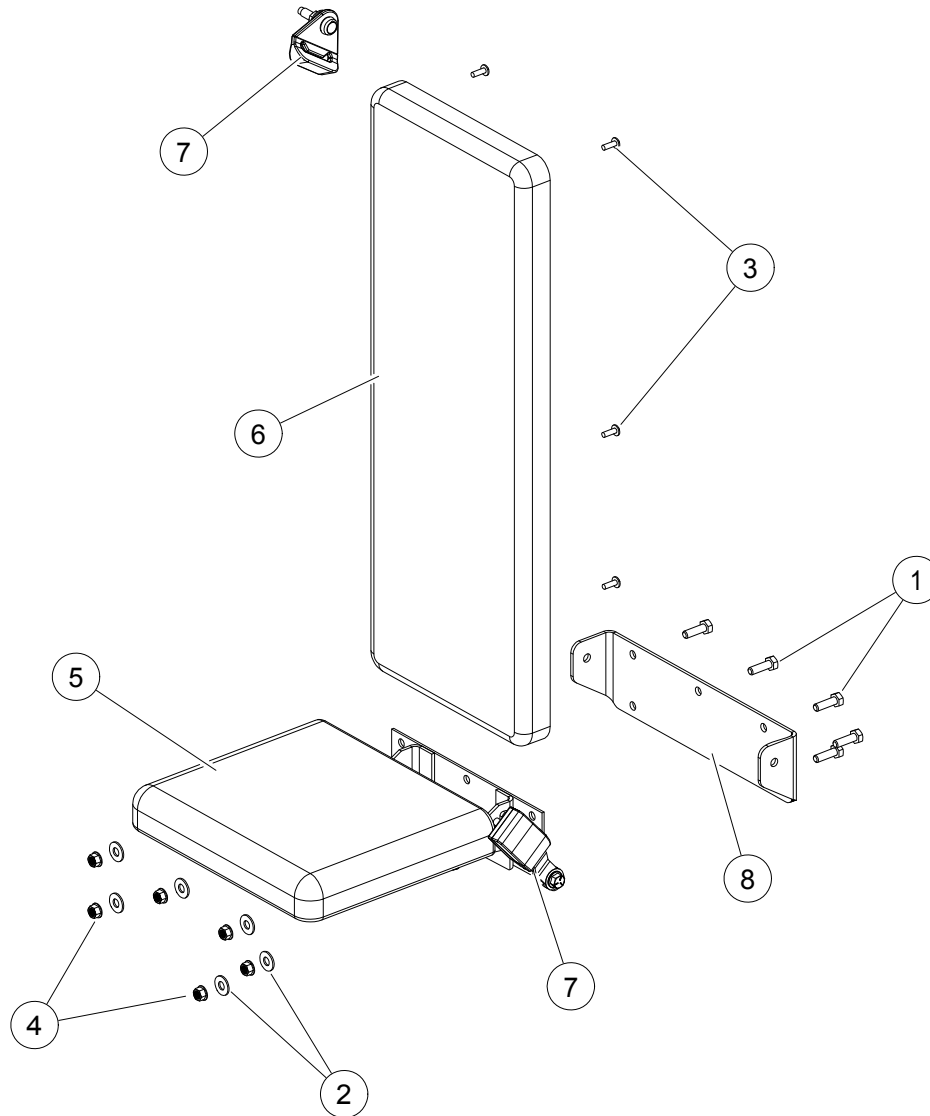
BOM ID	Part Number	Description	Qty
0	REFERENCE	54430017-00BLBLf JUMP SEAT INSTAL BLK CORD/BLK SB	
1	11005840	BOLT HEX 3/8-16 x 1.25	6
2	11008110	WASHER 3/8 FLAT	6
3	11305092	SCREW 1/4-20 x 3/4 TR PH 18-8 SS	5
4	11000904	NUT CTR LCK ZN WXD 3/8-16 GR5	6
5	13672416	J/SEAT WALL BLK CORD	1
6	13672417	CUSH BLK CORD 12 x 32	1
7	21313444-BK155C	SEATBELT 3PT FXD BLK 155" COMFORT	1
8	22823324	BRACKET JUMP SEAT	1

Seating

Jump Seat Configurations Black Cordura with Orange Seat Belt

54430017-00BLOR

NOTE: The seat belt, buckle, retractor, and mounting hardware are all included in 21311995-0R149C.

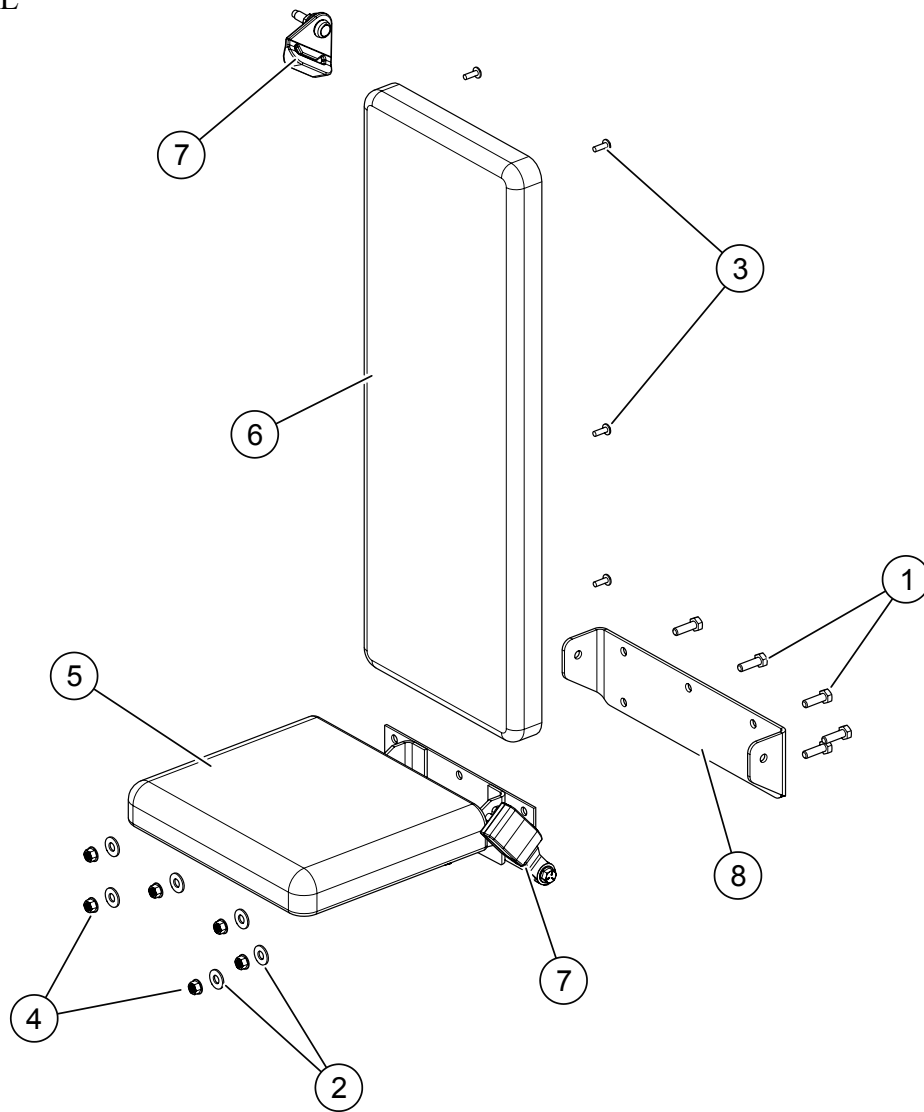


BOM ID	Part Number	Description	Qty
0	REFERENCE	54430017-00BLORa JUMP SEAT INSTAL BLK CORD/ORG SB	
1	11005840	BOLT HEX 3/8-16 x 1.25	6
2	11008110	WASHER 3/8 FLAT	6
3	11305090	SCREW 1/4-20 x 3/4 PHPN MS SS	5
4	11600926	NUT 3/8-16 HEX FLG SER	6
5	13672416	J/SEAT WALL BLK CORD	1
6	13672417	CUSH BLK CORD 12 x 32	1
7	21311995-0R149C	SEATBELT 3PT FXD ORG 149" (NOT SHOWN)	1
8	22823324	BRACKET JUMP SEAT	1

Seating

Jump Seat Configurations Black Vinyl with Black Seat Belt

54430017-00BVBL

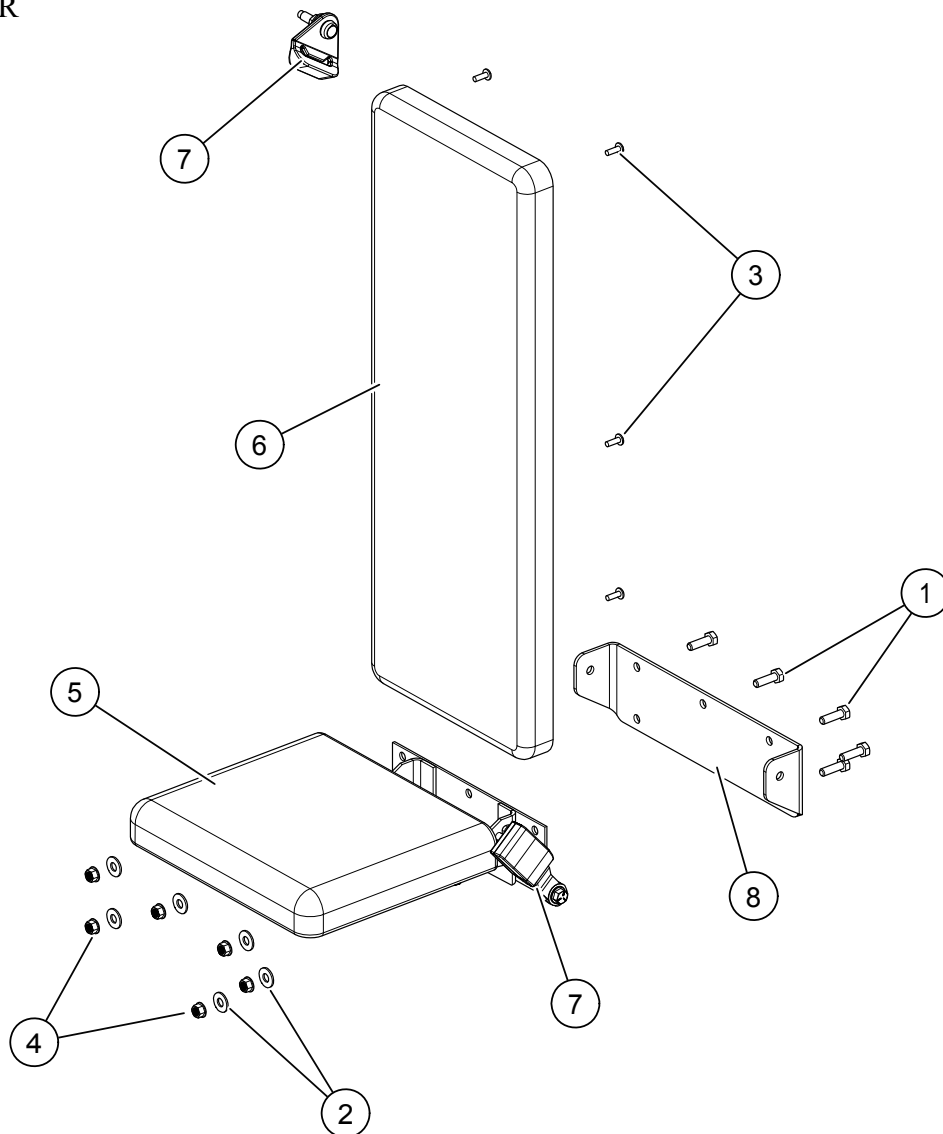


BOM ID	Part Number	Description	Qty
0	REFERENCE	54430017-00BVBLf JUMP SEAT INSTAL BLK VINL/BLK SB	
1	11005840	BOLT HEX 3/8-16 x 1.25	6
2	11008110	WASHER 3/8 FLAT	6
3	11305092	SCREW 1/4-20 x 3/4 TR PH 18-8 SS	5
4	11000904	NUT CTR LCK ZN WXD 3/8-16 GR5	6
5	13672142	JSEAT WALL MNT BLK	1
6	13672245	CUSHION BLK 12 x 32	1
7	21313444-BK155C	SEATBELT 3PT FXD BLK 155" COMFORT	1
8	22823324	BRACKET JUMP SEAT	1

Seating

Jump Seat Configurations Black Cordura with Orange Seat Belt

54430017-00BEOR



BOM ID	Part Number	Description	Qty
0	REFERENCE	54430017-00BEORf JUMP SEAT INSTAL BLK CORD/ORG SB	
1	11005840	BOLT HEX 3/8-16 x 1.25	6
2	11008110	WASHER 3/8 FLAT	6
3	11305092	SCREW 1/4-20 x 3/4 TR PH 18-8 SS	5
4	11000904	NUT CTR LCK ZN WXD 3/8-16 GR5	6
5	13672504-00067	JSEAT WALL MNT BLACK CLOTH	1
6	13672505-00067	JSEAT BCK PAD BLK 12 x 32	1
7	21313444-OR155C	SEATBELT 3PT FXD ORG 155" COMFORT	1
8	22823324	BRACKET JUMP SEAT	1

NOTE: The seat belt, buckle, retractor, and mounting hardware are all included in 21313444-OR155C.

Seating

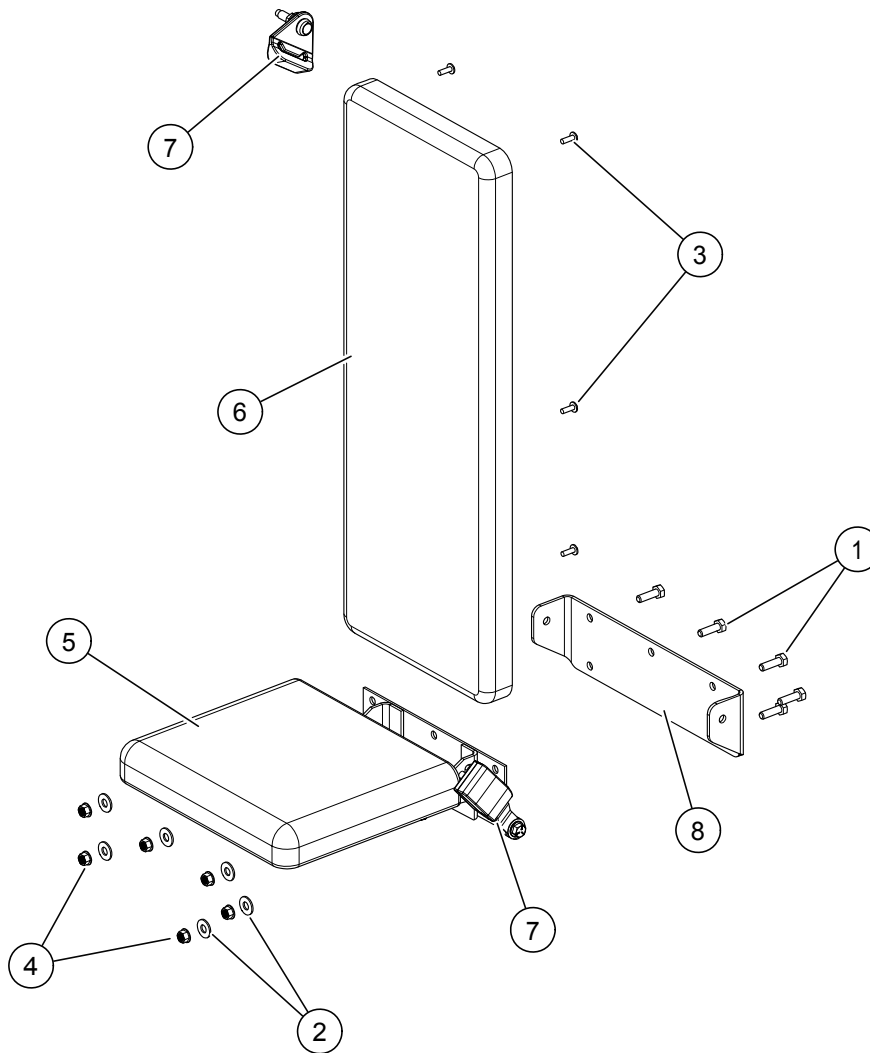
Jump Seat Configurations Brown Cordura with Black Seat Belt

54431067

NOTE: The seat belt, buckle, and mounting hardware are included with the seat belt part number.

NOTE: This information is based on the latest product information available at the time of release.

However, because of Utilimaster's continued improvement practices, it may differ from your vehicle.

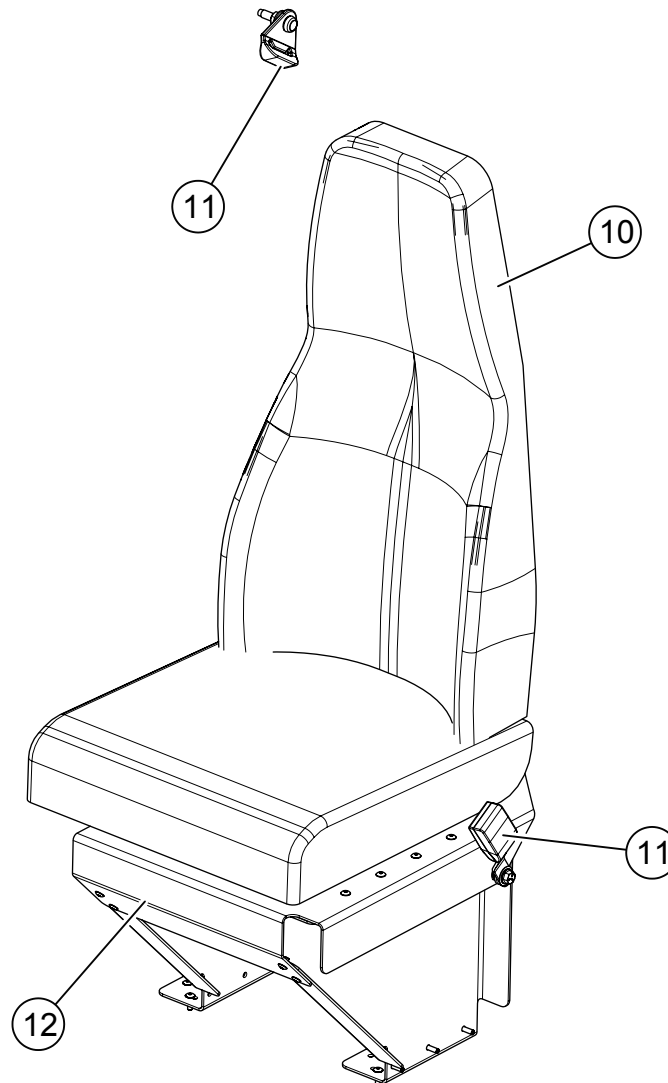


BOM ID	Part Number	Description	Qty
0	REFERENCE	54431067a JUMP SEAT INSTAL BRN CORD/BLK SB	
1	11005840	BOLT HEX 3/8-16 x 1.25 ZCGR5	6
2	11008110	WASHER 3/8 FLAT	6
3	11305092	SCREW 1/4-20 x 3/4 TR PH 18-8 SS	5
4	11000904	NUT CTR LCK ZN WXD 3/8-16 GR5	6
5	13672549	JUMPSEAT CORDURA W/CPT	1
6	13672548	BACK PAD JSEAT BRN CORDURA	1
7	21313444-BK155C	SEATBELT 3PT BLK 155" COMFORT	1
8	22823324	BRACKET JUMP SEAT	1

Seating

Passenger's Pedestal Black Cordura with Black Seat Belt

52430027-BL00B



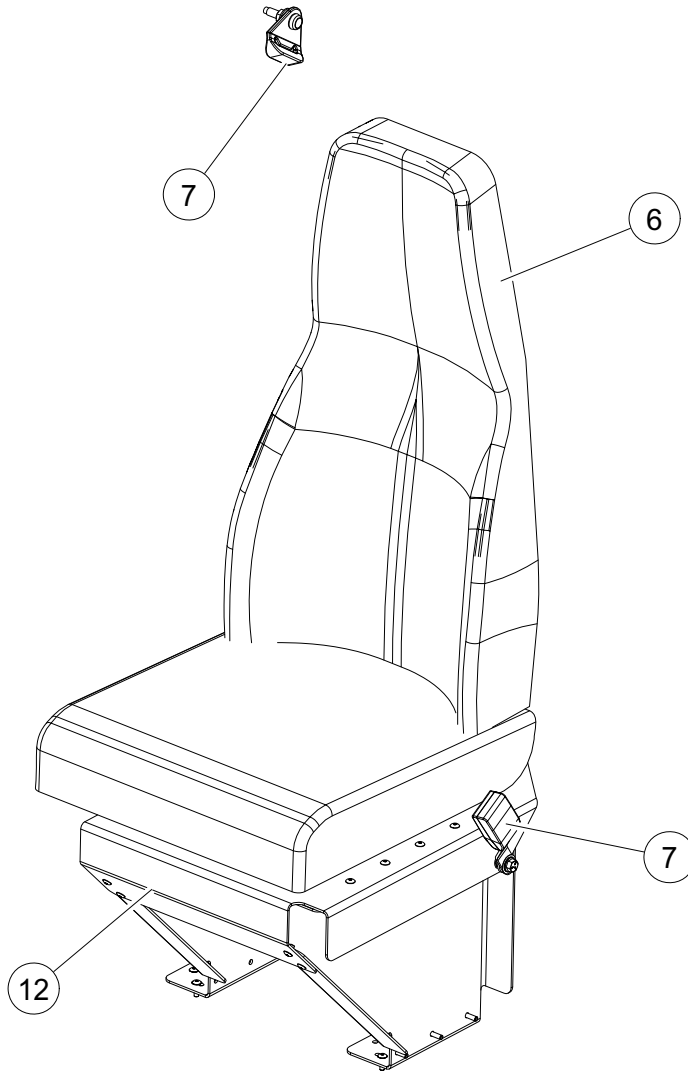
BOM ID	Part Number	Description
0	REFERENCE	52430027-BL00Bd PASS SEAT ASY BLK CORD W/BL SB
10	13672615-BL000	SEAT DRIVER BLACK CORDURA
11	21313444-BK155C	SEATBELT 3PT FXD BLK 155" COMFORT
12	REFERENCE	52430028 PASSENGER SEAT PEDASTAL ASSY

Seating

Passenger's Pedestal Brown Vinyl with Black Seat Belt

52430027-BV00B

NOTE: The seat belt, buckle, retractor, and mounting hardware are included in the seat belt part number.

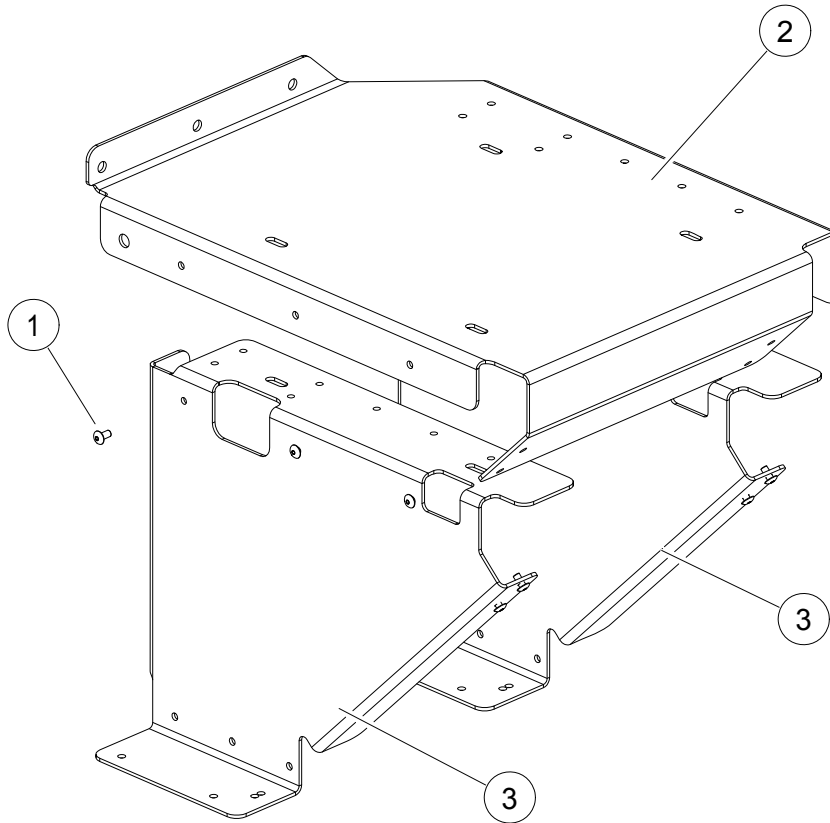


BOM ID	Part Number	Description
0	REFERENCE	52430027-BV00Bb PASS ASY BLK VINYL W/BL SB
6	13672615-BV000	SEAT DRIVER BLACK VINYL
7	21311995-BK149C	SEATBELT 3PT FXD BLK 149" COMFORT
12	REFERENCE	52430028 PASSENGER SEAT PEDASTAL ASSY

Seating

Passenger's Pedestal

52430028



BOM ID	Part Number	Description	Qty
0	REFERENCE	52430028b PASSENGER PEDASTAL ASSY	
1	11400023	MAGNA-LOC 1/4" STL SHORT	14
2	22823442	SEAT PEDASTAL TOP	1
3	22823444	SEAT PEDASTAL BRACKET	2

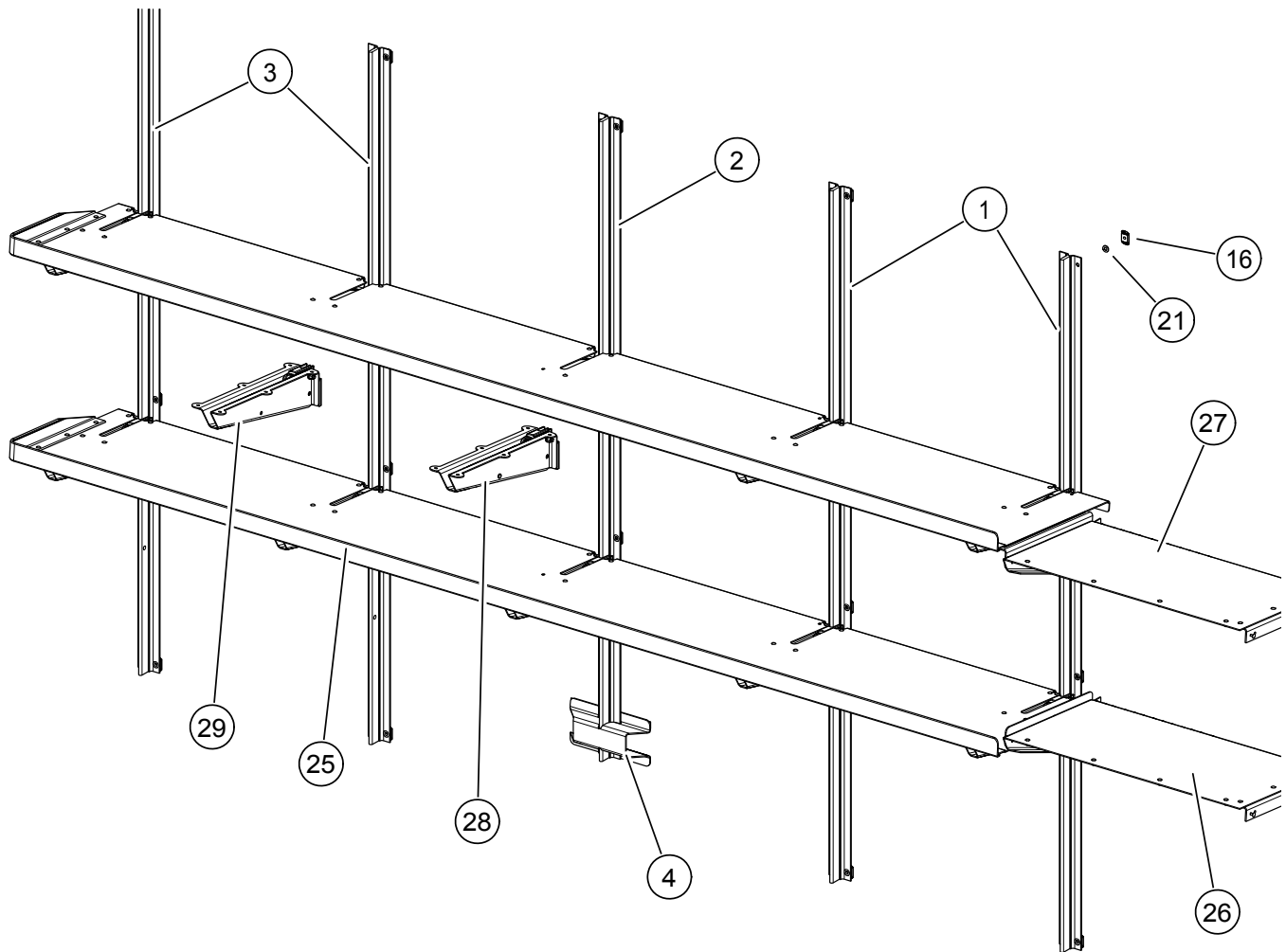
Shelving, Extrusion Edge

Driver's Side Installation

53430008

Order the 12' fold-up shelving upfit kit 23003531SK.

Order the 14' fold-up shelving upfit kit 23003441SK.

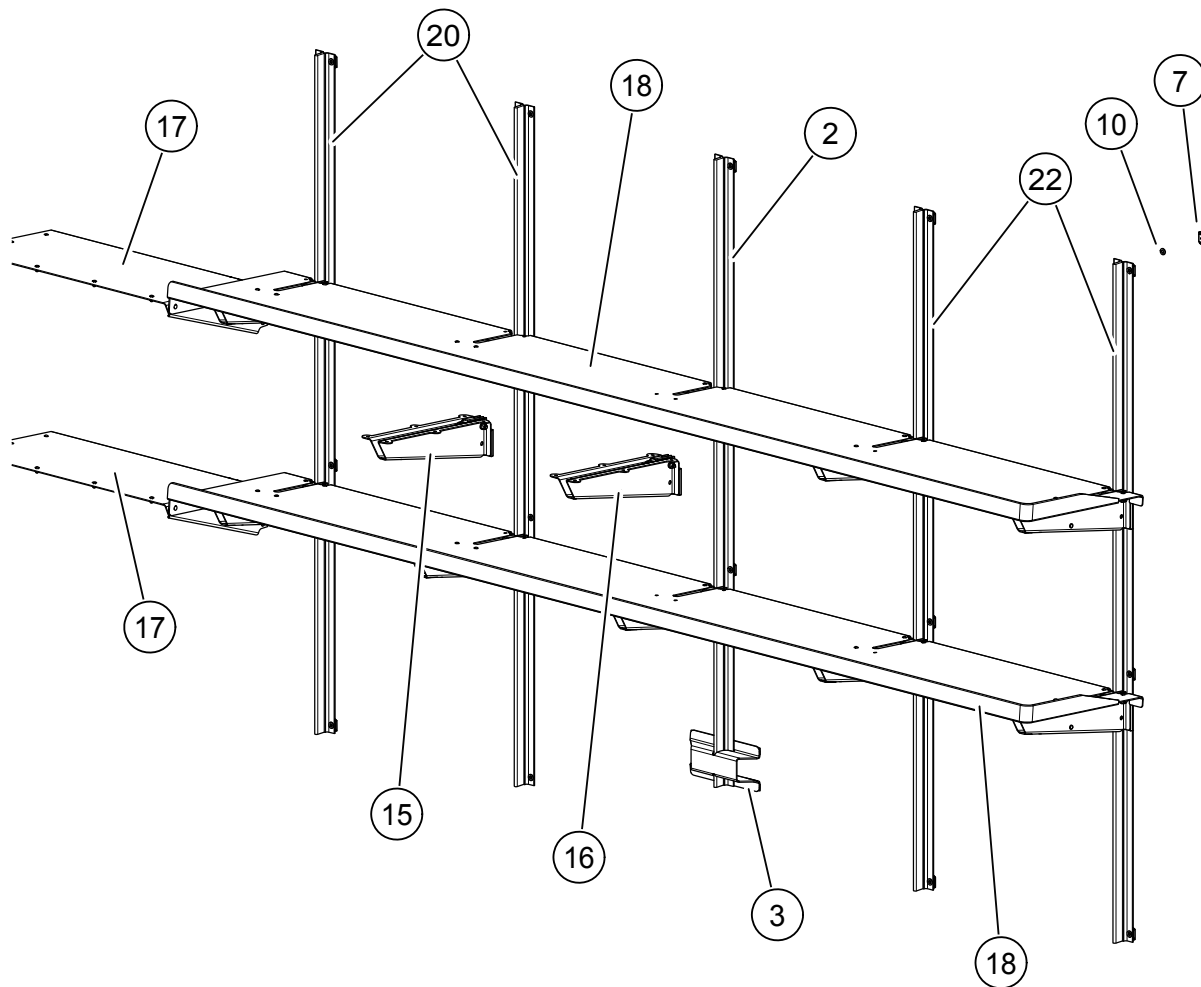


BOM ID	Part Number	Description	Qty
0	REFERENCE	53430008h SHELF INSTALL LH FOLD-UP 14' W/ST	
1	06935203-07750	T-STUD FULL HT FOLD-UP SHELF 77.50	2
2	06935203-07163	T-STUD FULL HT FOLD-UP SHELF 71.63	1
3	06935203-H7750	T-STUD FULL HT FOLD-UP SHELF 77.50	2
4	06935209	BRACKET BEARING T-STUD	1
16	11601277	NUT CHNL M8-1.25 B-LINE W/SPR	28
21	05FWSAEZ	WASHER 5/16 FLAT SAE ZINC	28
25	REFERENCE	SEE SHELF ASSY LH TOP 13'-8" 20" D x 125	
26	REFERENCE	SEE SHELF ASY LH FXD DR/PKT W/PKG STOP	
27	REFERENCE	SEE SHELF ASY LH FIXED DOOR PKT	
28	REFERENCE	SEE GUSSET ASSY PASSIVE	
29	REFERENCE	SEE GUSSET ASSY WITH STRUT	
NS_1	12605908	TAPE FOAM BLK FIRM 1/8 x 3/4 x 75' ROLL	1
NS_2	12606136	TAPE 3/4" VHB	1
NS_3	UT29-BB1-006	BOLT M8-1.25 X 16 FLG G8.8 BZ PTCH (28)	1

Shelving

Passenger's Side Installation

53430009



BOM ID	Part Number	Description	Qty
0	REFERENCE	53430009g SHELF INSTALL RH FOLD-UP 14'	
2	06935203-07163	T-STUD FULL HT FOLD-UP SHELF 71.63	1
3	06935209	BRACKET BEARING T-STUD	1
7	11601277	NUT CHNL M8-1.25 B-LINE W/SPR	28
10	05FWSAEZ	WASHER 5/16 FLAT SAE ZINC	28
15	53430015	SEE GUSSET ASSY WITH STRUT	8
16	53235782	SEE GUSSET ASSY PASSIVE	12
17	REFERENCE	SEE SHELF ASY RH FIXED DOOR PCKT	
18	REFERENCE	SEE SHELF ASY RH TOP 14' 20" D	
20	06935203-07750	T-STUD FULL HT FOLD-UP SHELF 77.50	2
22	06935203-07750	T-STUD FULL HT FOLD-UP SHELF 77.50	2
NS_1	12605908	TAPE FOAM BLK FIRM 1/8 x 3/4 x 75' ROLL	1
NS_2	12606136	TAPE 3/4" VHB	1
NS_3	UT29-BB1-006	BOLT M8-1.25 X 16 FLG G8.8 BZ PTCH (28)	

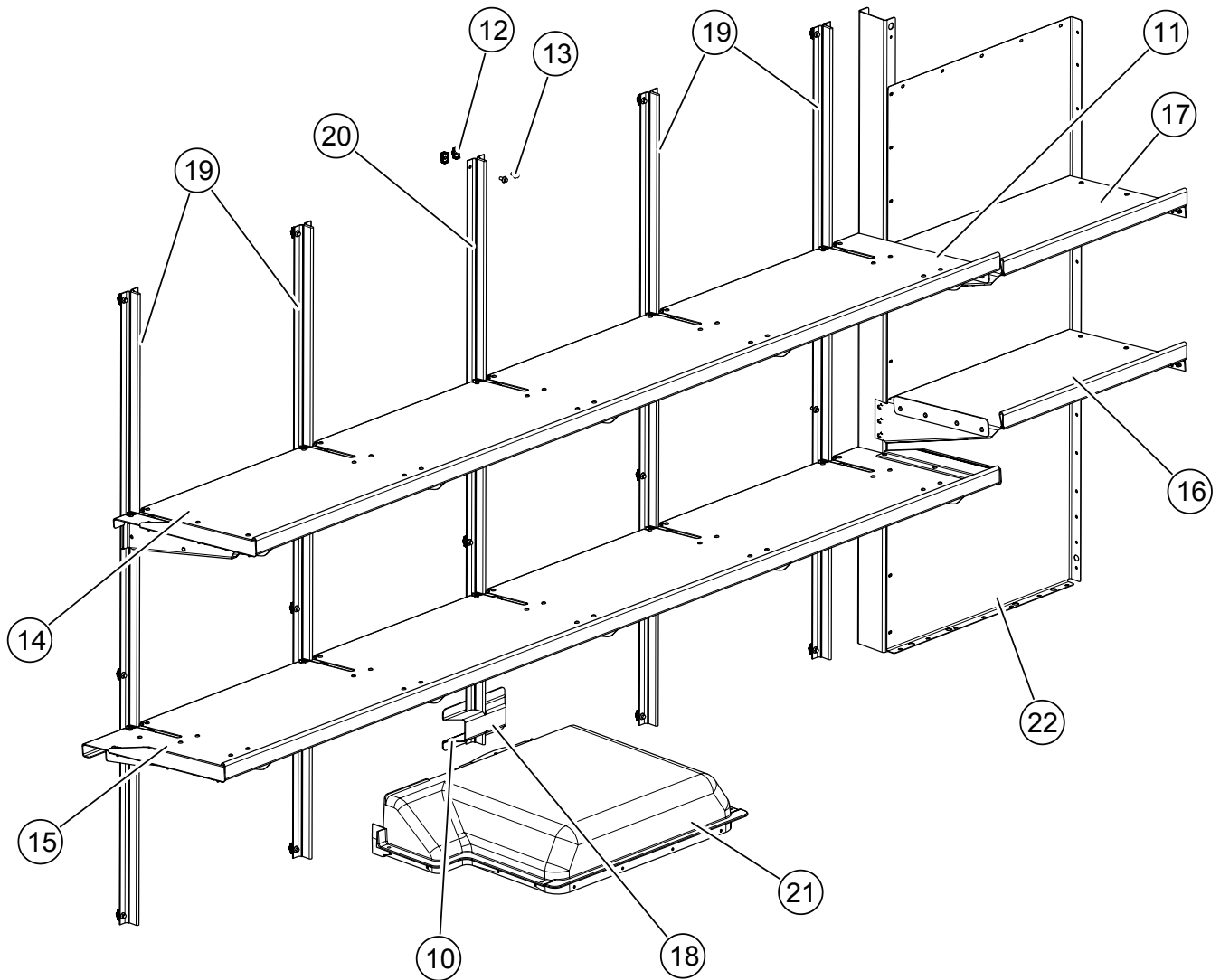
Order the 12' fold-up shelving upfit kit 23003531SK.

Order the 14' fold-up shelving upfit kit 23003441SK.

Shelving, Formed Edge

Driver's Side Installation

53431062-00001



Shelving

Driver's Side Installation

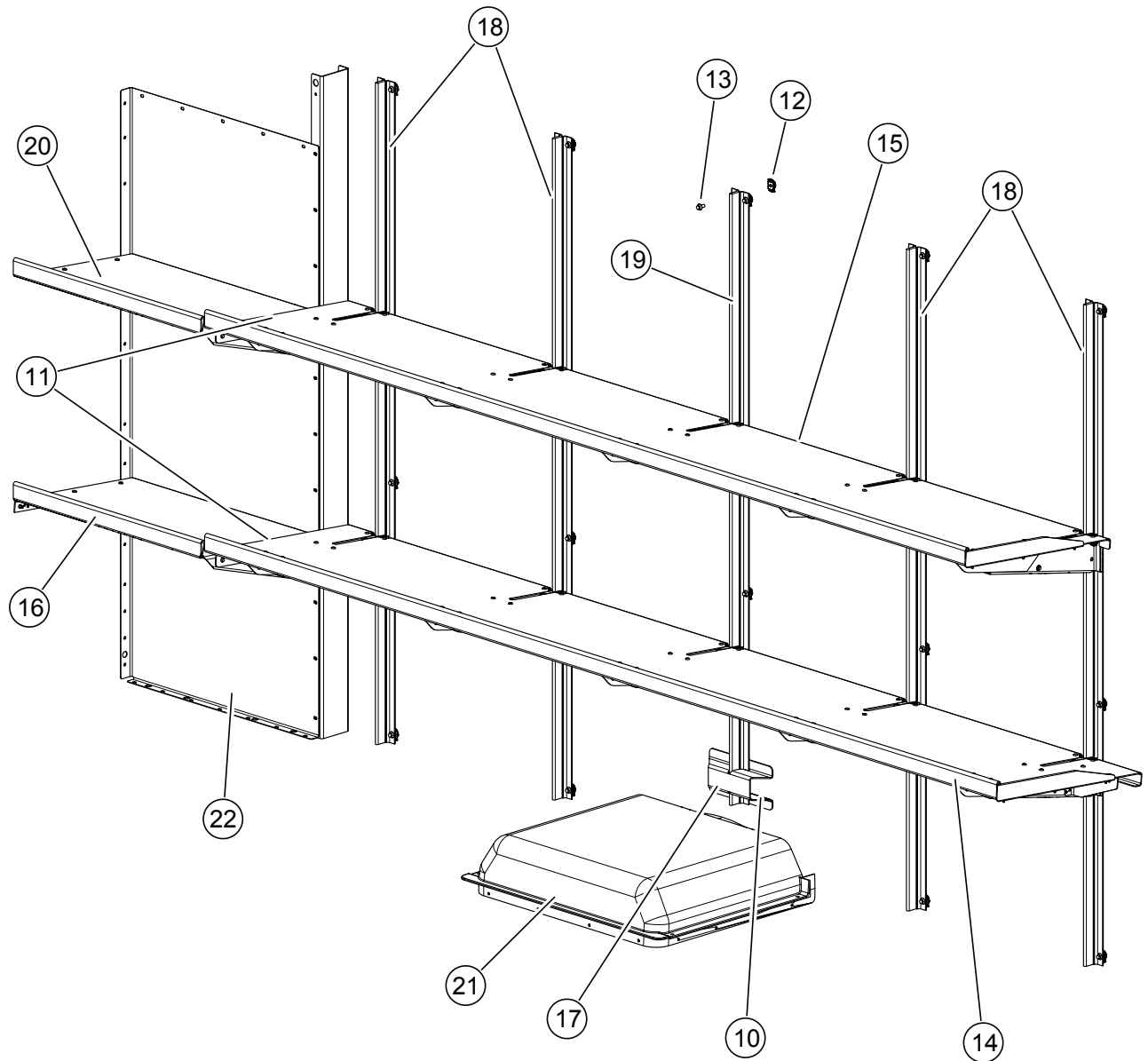
53431062-00001

BOM ID	Part Number	Description	Qty
0	REFERENCE	53431062-00001c SHELF INS LH F/UP 23.25"	
10	12606136	TAPE 3/4" VHB	2
11	12605908	TAPE FOAM 1/8 x 3/4 x 75' ROLL	1
12	11601277	NUT CHNL M8-1.25 COOPER B-LINE W/SPR	28
13	UT29-BB1-006	BOLT M8-1.25 x 16 FLG G8.8 BZ PTCH	28
14	REFERENCE	53431064 SHELF ASSY 23" F/UP UPR LH	
15	REFERENCE	53431063 SHELF ASSY 23" F/UP LWR LH	
16	REFERENCE	53431065 SHELF ASM LH FIXED DR POCKETPW/STO	
17	REFERENCE	53430049 SHELF ASM LH FIXED DR POCKET	
18	06935209	BRACKET BEARING T-STUD	1
19	06937672-07750	T-STUD 23" F/UP SHELF	4
20	06937672-07163	T-STUD 23" F/UP SHELF OVR WHL	1
21	REFERENCE	WHEEL WELL	
22	REFERENCE	DOOR POCKET UPPER	

Shelving

Passenger's Side Installation

53430050-00001



Shelving

Passenger's Side Installation

53430050-00001

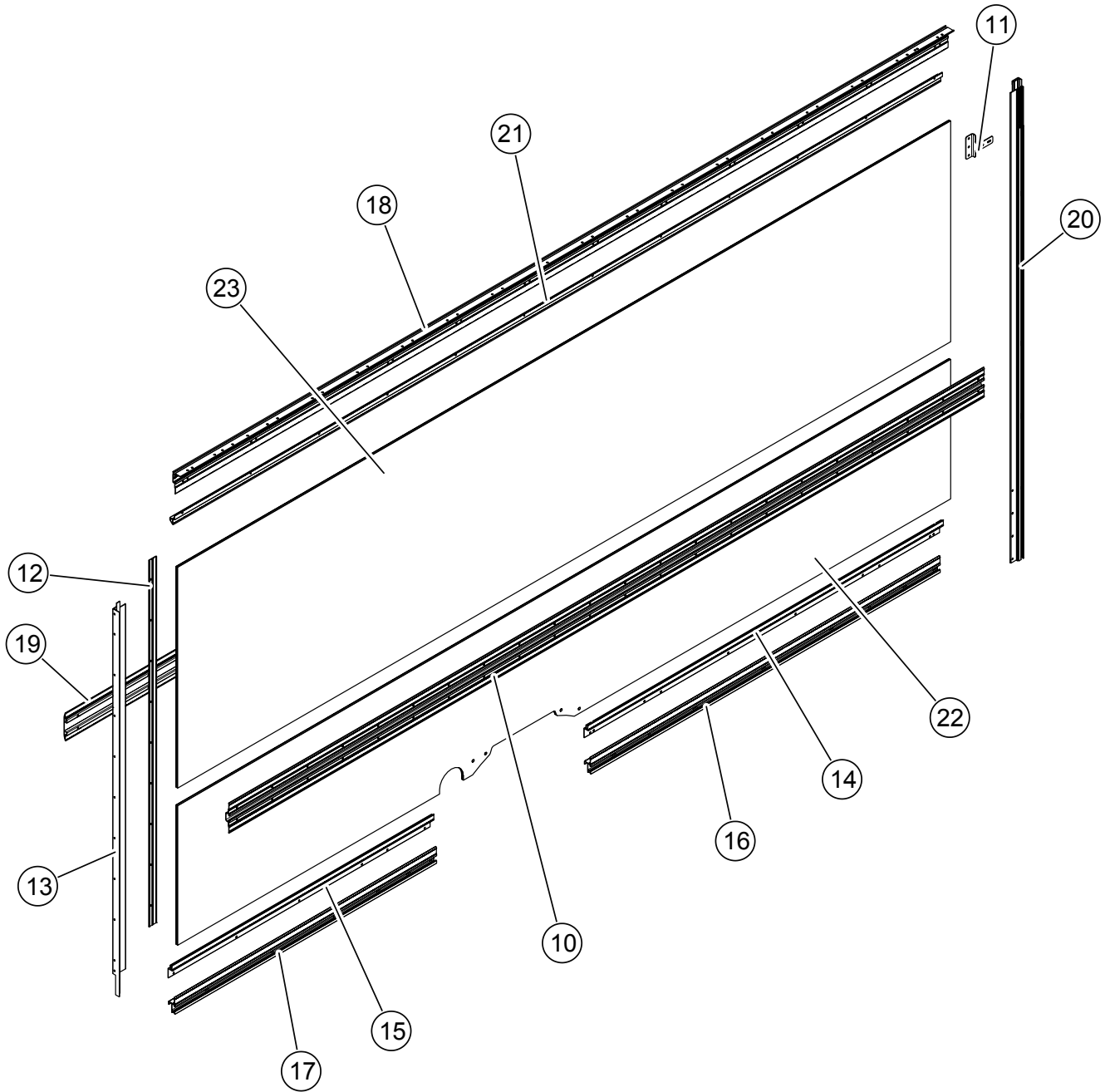
BOM ID	Part Number	Description
0	REFERENCE	53430050-00001e SHELF INS RH F/UP 23.25"
10	12606136	TAPE 3/4" VHB
11	12605908	TAPE FOAM BLACK FIRM 1/8 x 3/4 x 75' ROLL
12	11601277	NUT CHNL M8-1.25 B-LINE W/SPR
13	UT29-BB1-006	BOLT M8-1.25 x 16 FLG G8.8 BZ PTCH
14	53431061	SHELF ASSY 23" F/UP LWR RH 5 BKT
15	53431060	SHELF ASSY 23" F/UP UPR RH 5 BKT
16	53430048	SHELF ASM RH LWR FIXED DR POCKET
17	06935209	BRACKET BEARING T-STUD
18	06937672-07750	T-STUD 23" F/UP SHELF
19	06937672-07163	T-STUD 23" F/UP SHELF OVR WHL
20	53431092	SHELF ASM RH UPR FIXED DR POCKET
21	REFERENCE	WHEEL WELL
22	REFERENCE	DOOR POCKET UPPER

Sidewalls

Driver's Side

53431119-HWE151

Viewed from inside.



Paint code references for body panels:

WHITE: Sherwin-Williams White G2N77175

BROWN: Sherwin-Williams Brown G2N32668

or DuPont Imron Brown 744412-HN

Sidewalls

Driver's Side

53431119-HWE151

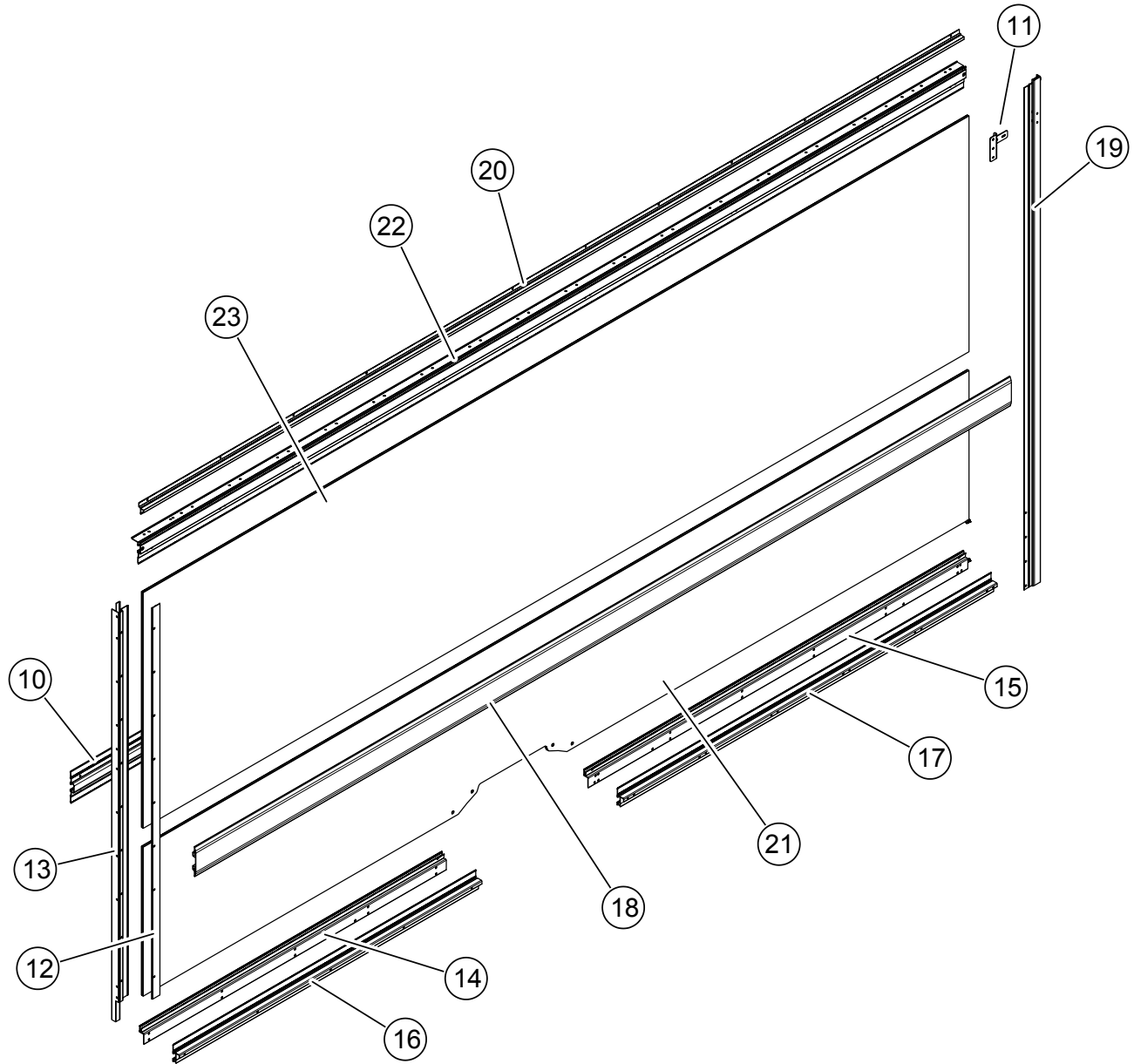
BOM ID	Part Number	Description	Qty
0	REFERENCE	53431119-HWE151c SWALL SUB ASSY LH 14' x 80 WHITE	
10	06935439-0SE151	RUB RAIL INNER LH/RH 14'	1
11	22826069	BRACKET UPPER B PILLAR MOUNT	1
12	06935446	TRACK OUTER LH/RH	1
13	06938997-00L80	TRACK INNER LH 80H	1
14	06938996-BFD151	SIDE MLDNG CRG SW LWR OUTR FRT 151	1
15	06938996-LRE151	SIDE MLDNG CRG SW LWR OUTR LH-R 14	1
16	06938995-BFD151	SIDE MLDG CRG LWR INR LH/RH 151	1
17	06938995-LRE151	SIDE MLDG CRG SW LWR INR FRT LH 151	1
18	06938993-BOE151	ROOF RAIL TO SIDEWALL LH 14'/151WB	1
19	06935441-WSE151	RUB RAIL OUTER WHT LH/RH 14'/151WB	1
20	06935443-0WL80	B-PILLAR OUTER WHT LH 80H	1
21	06938994-WBE151	ROOF DRIP EDGE WHT14'/151WB	1
22	02807765-W0000	SIDEWALL LOWER LH WHITE 14'	1
23	02807762-W0000	SIDEWALL UPPER LH/RH WHITE 14'	1

Sidewalls

Passenger's Side

53431120-HWE151

Viewed from outside.



Paint code references for body panels:

WHITE: Sherwin-Williams White G2N77175

BROWN: Sherwin-Williams Brown G2N32668

or DuPont Imron Brown 744412-HN

Sidewalls

Passenger's Side

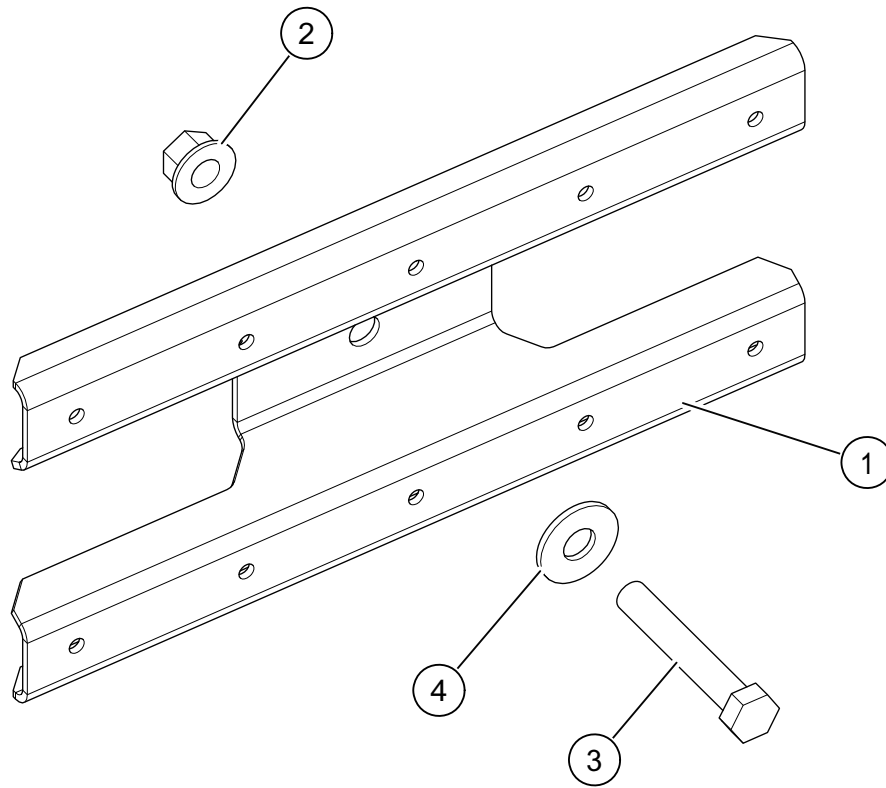
53431120-HWE151

BOM ID	Part Number	Description	Qty
0	REFERENCE	53431120-HWE151c SWALL SUB ASSY RH 14' x 80 WHITE	
10	06935439-0SE151	RUB RAIL INNER LH/RH 14'	1
11	22826069	BRACKET UPPER B PILLAR MOUNT	1
12	06935446	TRACK OUTER LH/RH	1
13	06938997-00R80	RACK INNER RH 80H	1
14	06938996-RRE151	SIDE MLDNG CRG SW LWR OUTR RH-R 14	1
15	06938996-BFD151	SIDE MLDNG CRG SW LWR OUTR FRT 151	1
16	06938995-RRE151	SDE MLDNG CRG SW LWR OUTR FRT RH 15	1
17	06938995-BFD151	SIDE MLDG CRG LWR INR LH/RH 151	1
18	06935441-WSE151	RUB RAIL OUTER WHT LH/RH 14'/151WB	1
19	06935443-0WR80	B-PILLAR OUTER WHT RH 80H	1
20	06938994-WBE151	ROOF DRIP EDGE WHT14'/151WB	1
21	02807768-W0000	SIDEWALL LOWER RH WHITE 14'	1
22	06938993-BOE151	ROOF RAIL TO SIDEWALL LH 14'/151WB	1
23	02807762-W0000	SIDEWALL UPPER LH/RH WHITE 14'	1

Spare Tire Carrier

Retainer Assembly

64430016

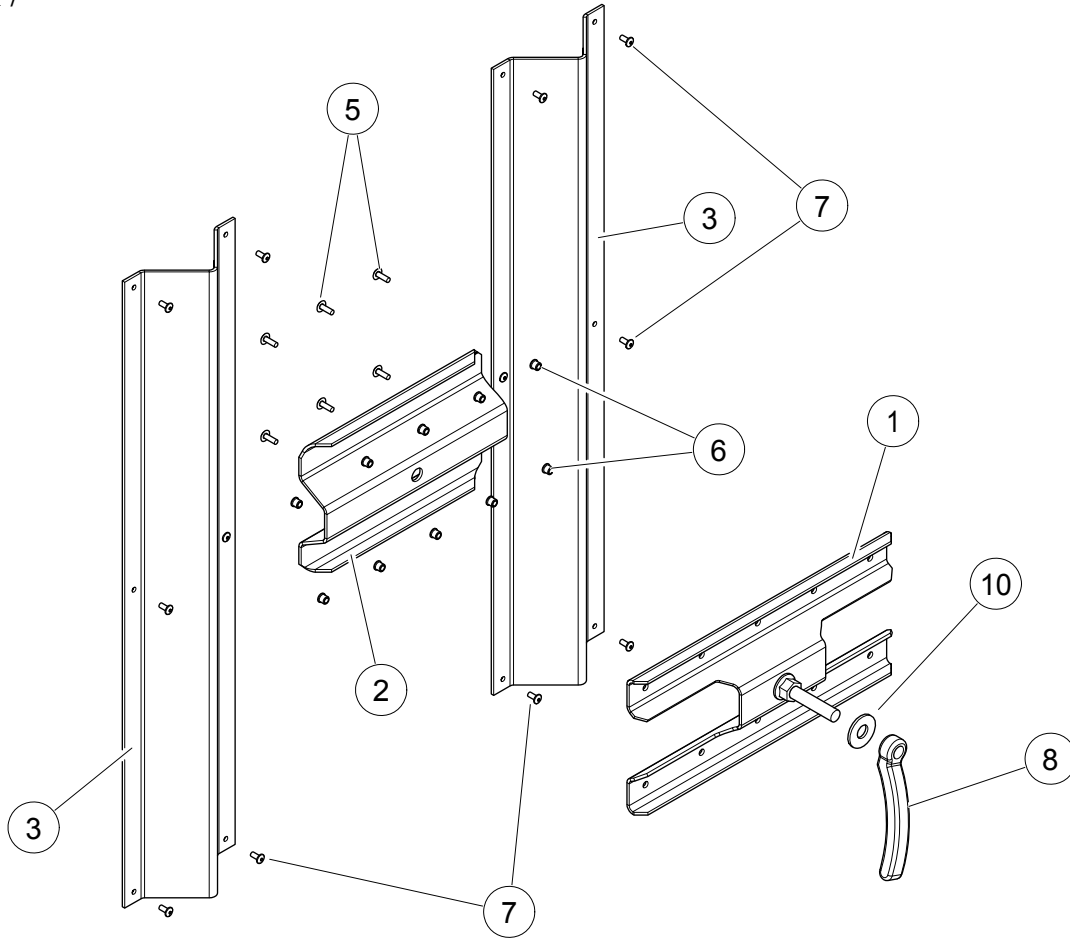


BOM ID	Part Number	Description
0	REFERENCE	64430016c SPARE TIRE RETAINER ASSY
1	06935274	BRACKET SPARE TIRE CARRIER
2	0813FLN8Y	NUT 1/2-13 FLG LCK GR8 ZN YEL
3	08130300HTB8Y	BOLT 1/2-13 x 3.00LG HEX GR8 YEL
4	08FWUSSZ	WASHER 1/2 FLAT

Spare Tire Carrier

Retainer Installation

64430017



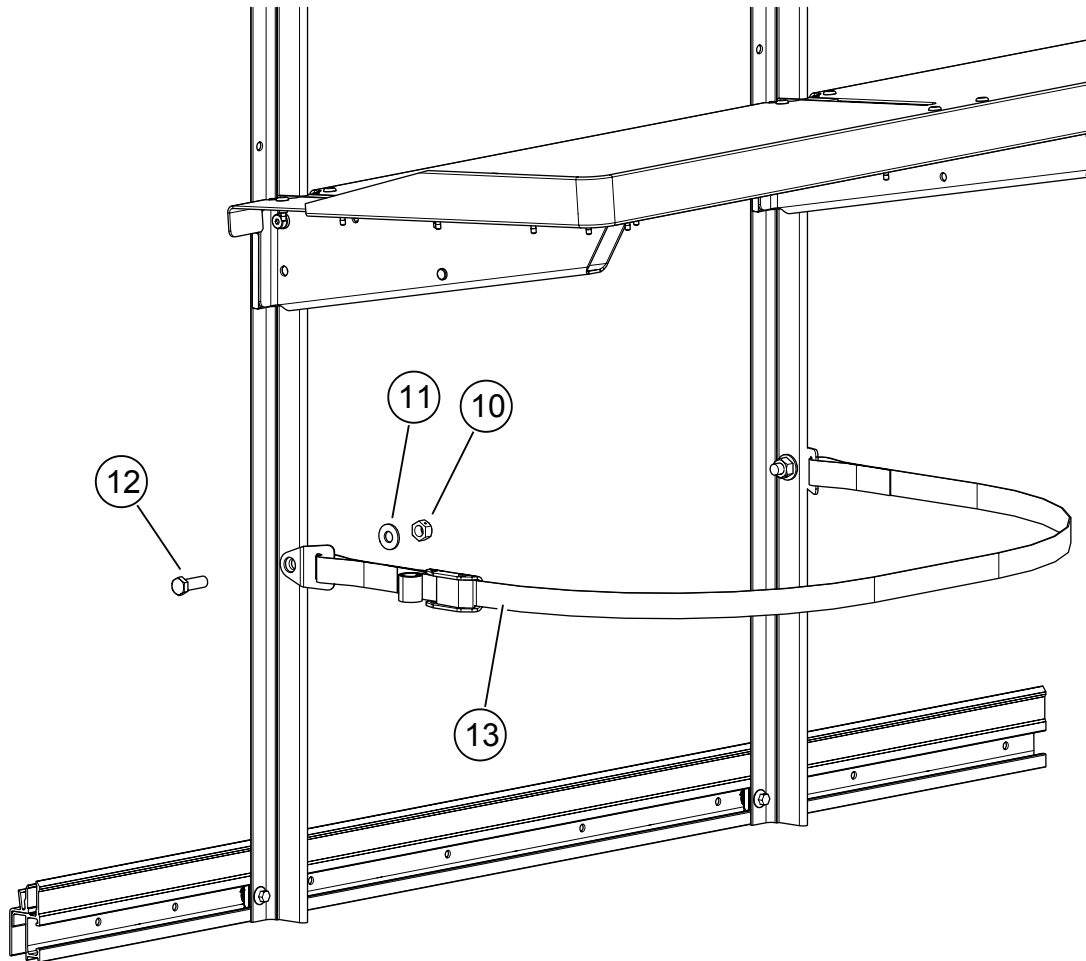
BOM ID	Part Number	Description	Qty
0	REFERENCE	64430017a SPARE TIRE STORAGE INSTAL	
1	REFERENCE	SEE SPARE TIRE RETAINER ASSY	
2	06935275	SPARE TIRE CARRIER CLAMP	1
3	06935276	STIFFENER SPARE TIRE CARRIER	2
5	11403990	PIN MAGNA-GRIP (ALUM)	10
6	11404003	HUCK MAGNA GRIP COLLAR	10
7	11600750	MAGNA LOK 3/16 STL	12
8	11600880	NUT IRON HANDLE 1/2-13	1
10	08FWUSSZ	WASHER 1/2 FLAT	2

Order the complete spare tire carrier upfit kit 23003426SK.

Straps

Hazardous Goods, Mounted

64431135

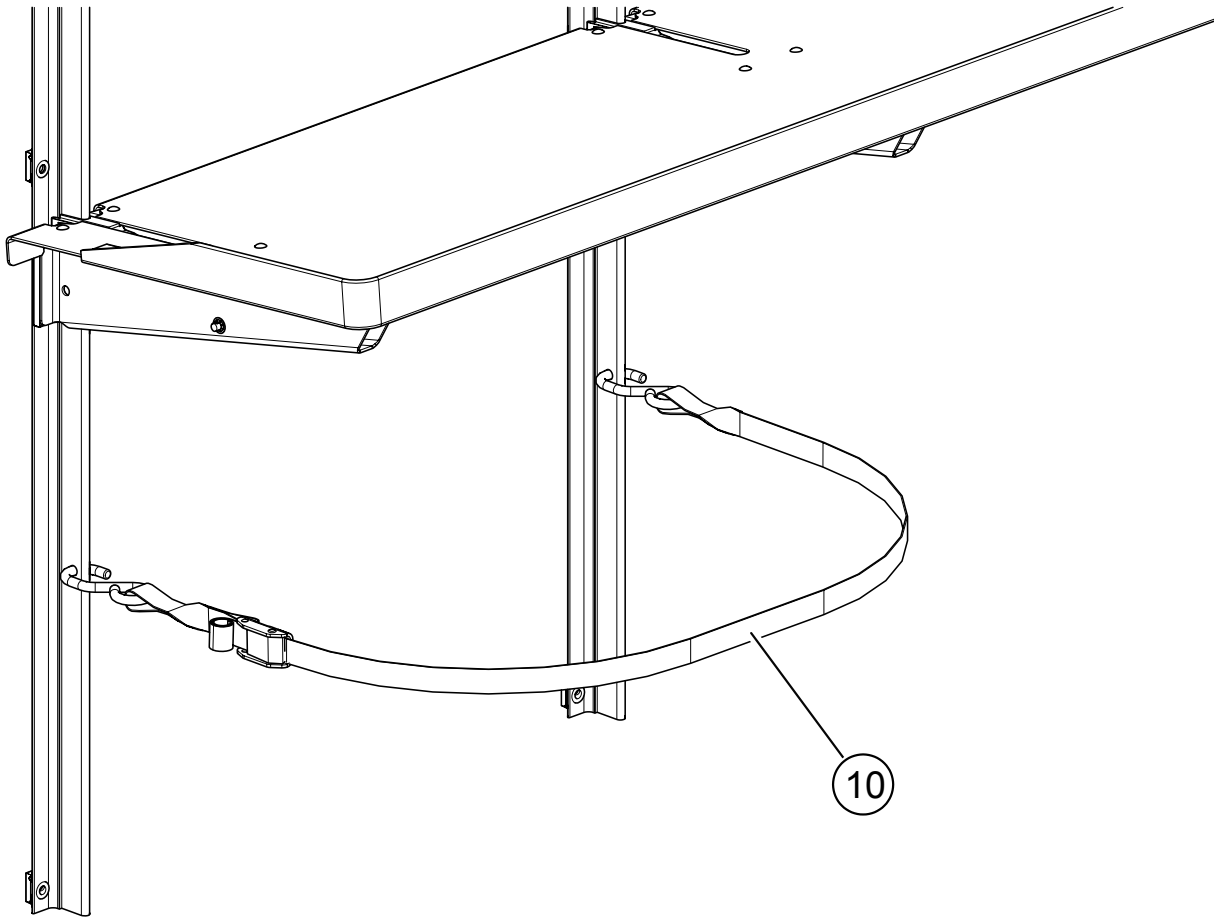


BOM ID	Part Number	Description
0	REFERENCE	64431135b STRAP HAZARDOUS GOODS
10	11000041	NUT LOCK WXD 7/16-14 2WAY ZN
11	11008110	WASHER 3/8 FLAT
12	11005915	BOLT HEX 7/16-14X1.25 ZCGR5
13	21313964	STRAP RED 1" x 6' UTILITY
13_NS	21312111	STRAP RED 1" x 5.5 UTILITY W/HOOKS

Straps

Hazardous Goods, Removable

64239614

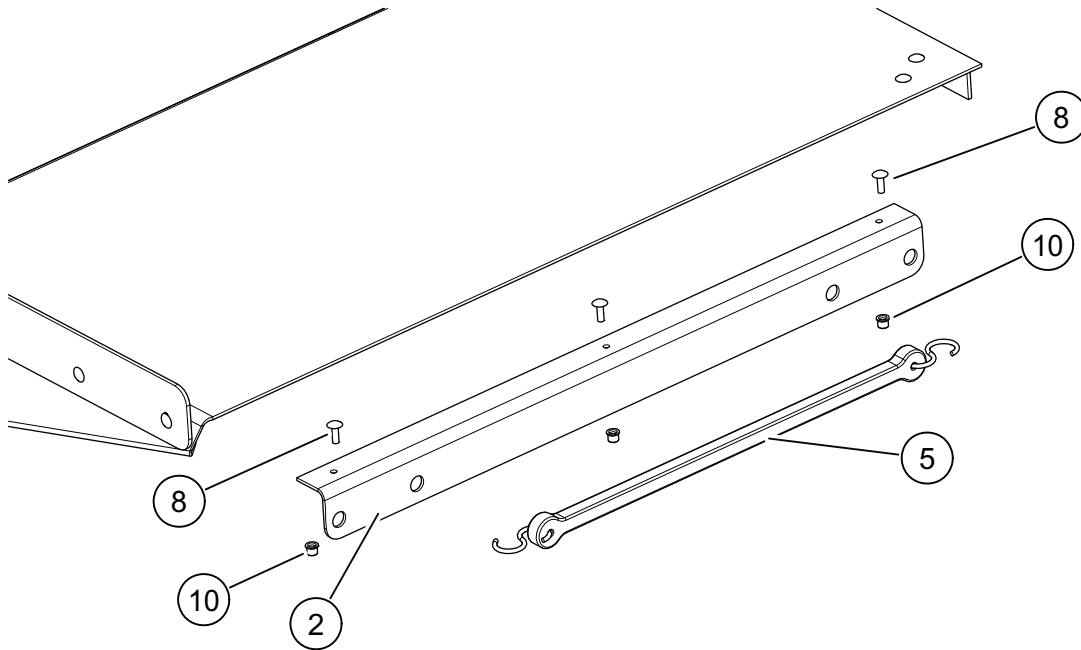


BOM ID	Part Number	Description
0	REFERENCE	64239614a STRAP HAZARDOUS GOODS
10	21312111	STRAP RED 1 X 5.5 UTILITY

Straps

Cart

64430033

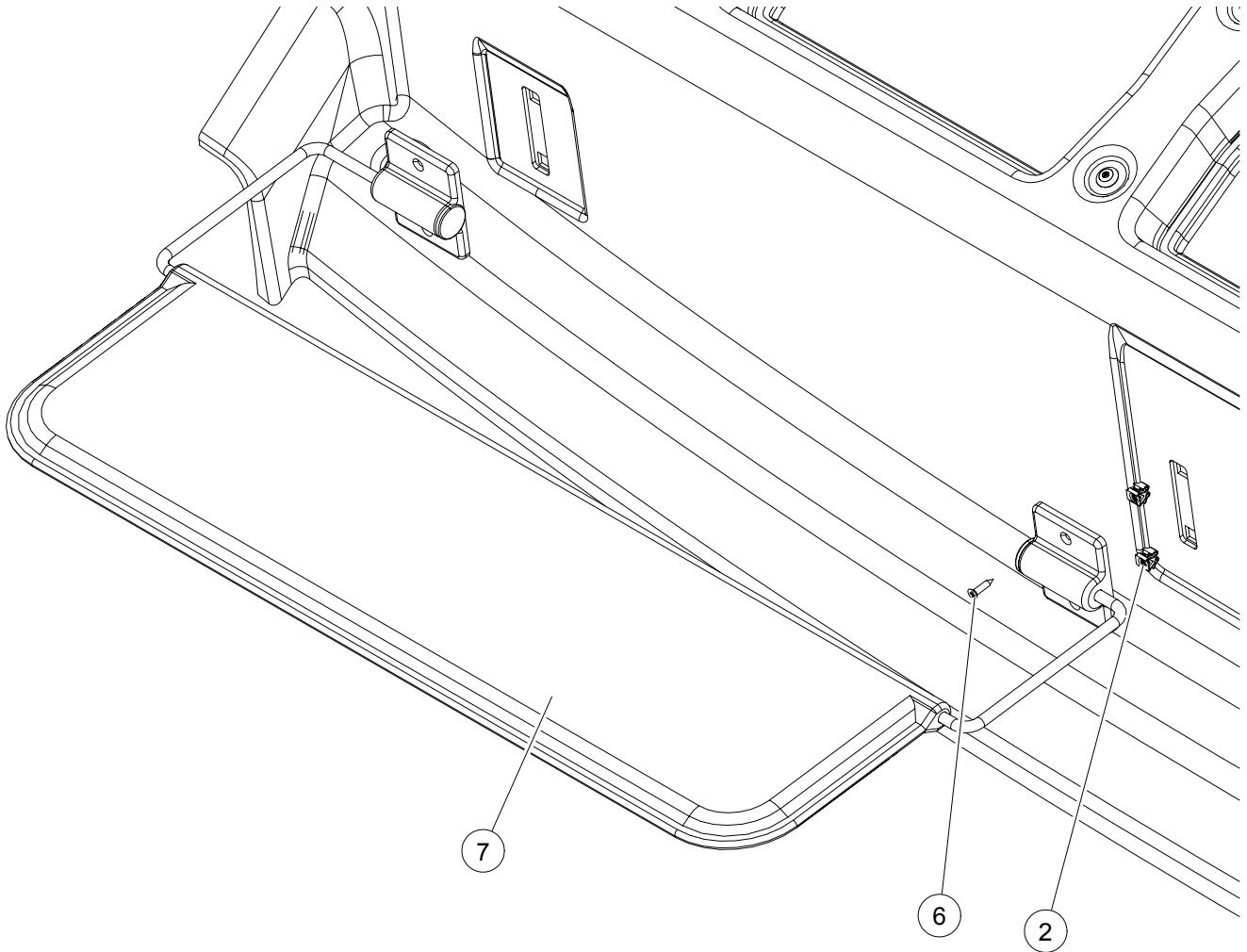


BOM ID	Part Number	Description
0	23003428SK	64430033a HAND CART STRAP
2	06930039	BRACKET BUNGEE CART STRAP
5	08611954	STRAP RUBBER 15" W/ S HOOKS
8	11403990	PIN MAGNA-GRIP ALUM (3)
10	11404003	HUCK MAGNA GRIP COLLAR (3)

Order the complete cart strap upfit kit 23003428SK.

Visors

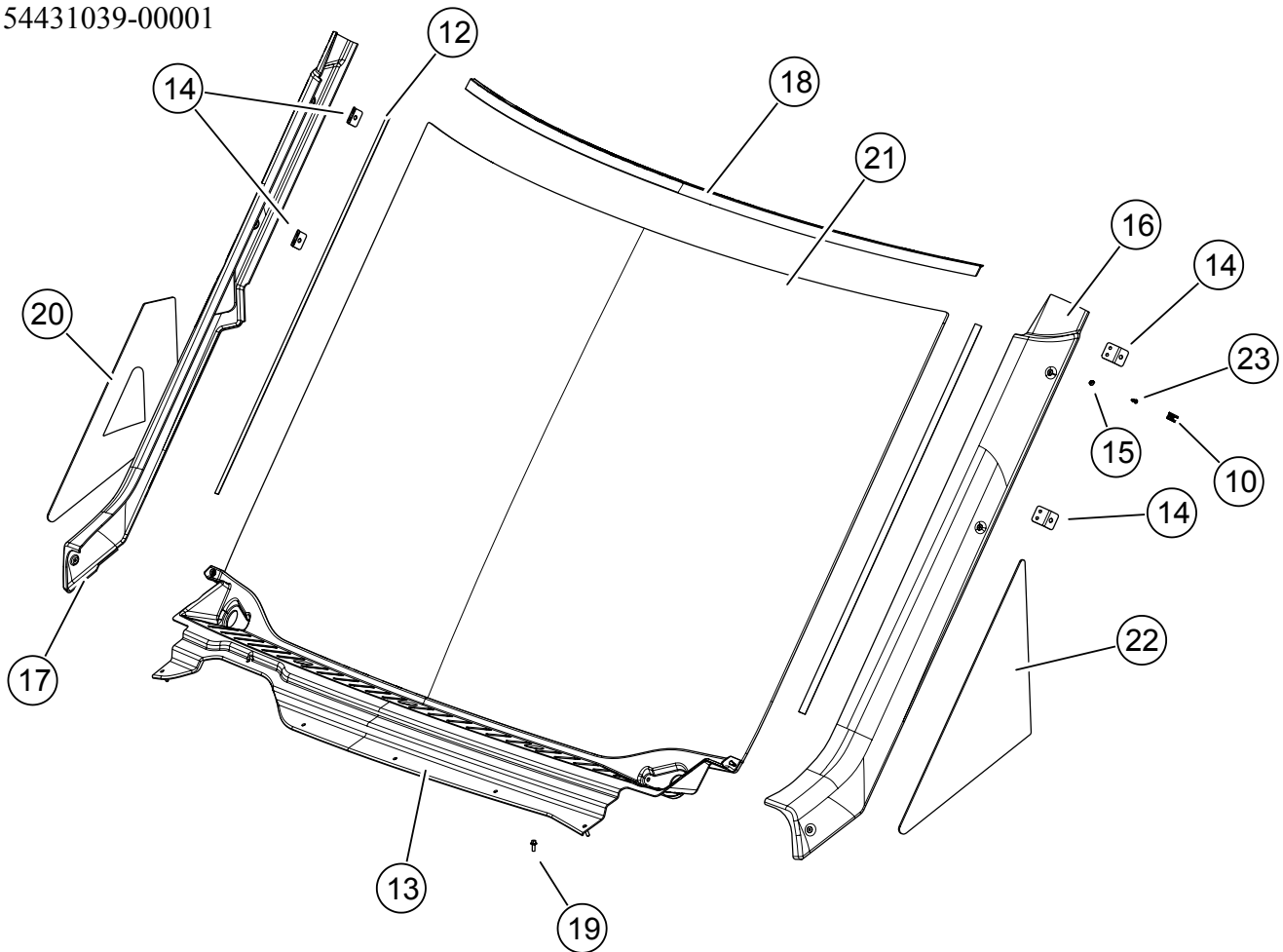
54430028-00002



BOM ID	Part Number	Description	Qty
0	REFERENCE	54430028-00002a VISOR DRIVER AND PASS	
2	11601213	PUSHNUT M4.2-1.41 2.3-2.8G	8
6	M042019FCSTS	SCREW M4.2 x 19 FLAT HD PHIL 18-8 SS	8
7	13672611	VISOR WINDSHIELD BLK VNYL	2

Windshield Trim and Leaf Screen

54431039-00001



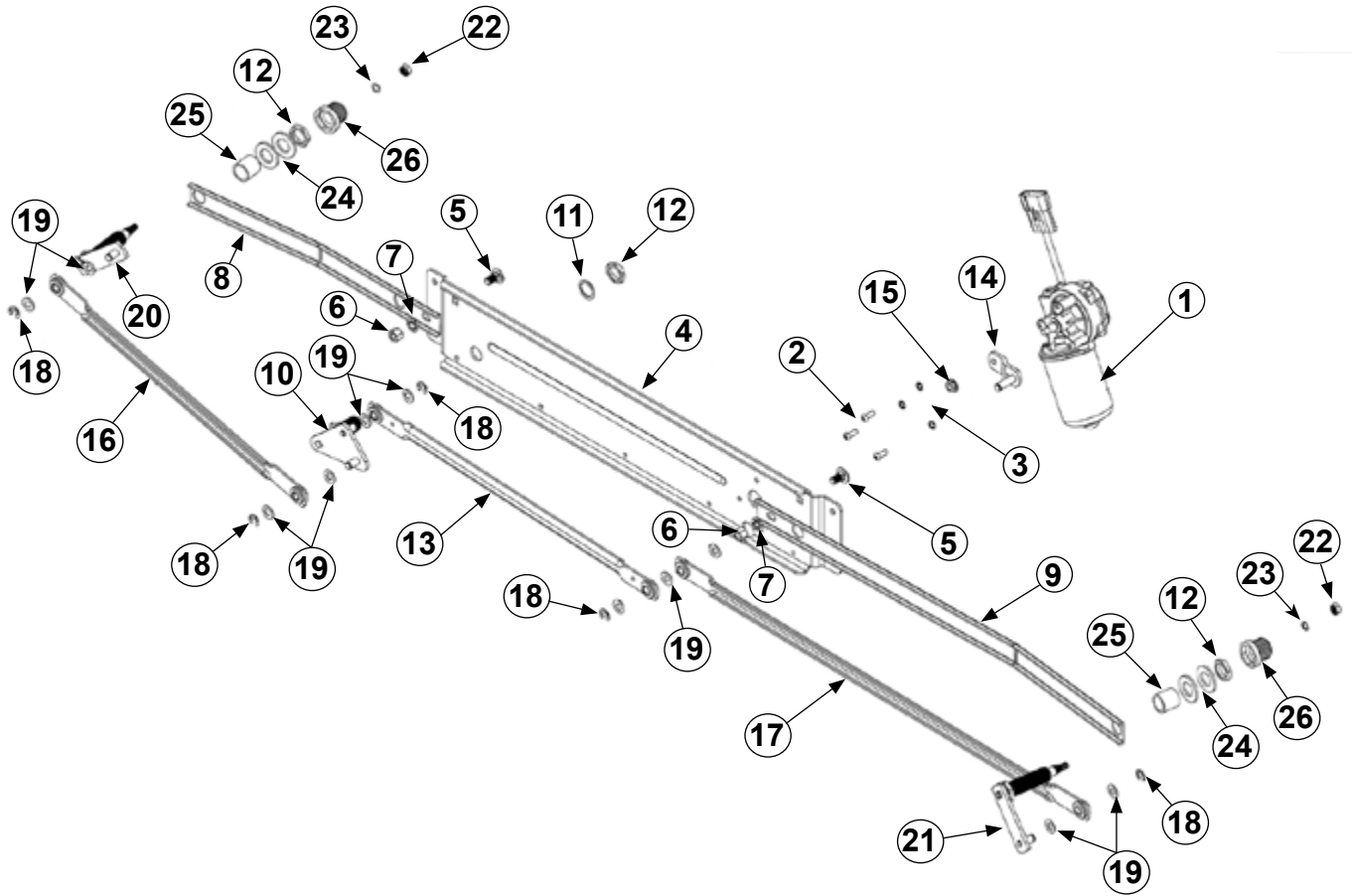
BOM ID	Part Number	Description	Qty
0	REFERENCE	54431039-00001h LEAF SCREEN AND PILLAR TRIM	
10	11601216	U-NUT M4	12
12	12606136	TAPE 3/4" VHB	2
13	20511212	LEAF SCREEN COWL	1
14	06934474	BKT A PILLAR TRIM ATTACHMENT	4
15	11600750	MAGNA LOK 3/16 STL	8
16	20511471-B000L	TRIM A-PILLAR EXTERIOR LH BLACK	1
17	20511471-B000R	TRIM A-PILLAR EXTERIOR RH BLACK	1
17_PWR	20512545	TRIM A-PILLAR PWR MIRROR OPT RH	1
18	12607223	TAPE VHB .062" THK 1/2" WIDE	1
19	UT29-BB1-002	BOLT M6-1.00 X 16 FLG G8.8 BZ PTCH	5
20	09801780	GLASS QUARTER RH	1
21	09801779	GLASS WINDSHIELD N/TINT	1
22	06933721	CLOSEOUT QUARTER SOLID LH	1
23	11600002	SCREW CAP BLACK .137 x 3/4	12
NS_1	08612036	SPACER WINDSHIELD 1/4" (6)	1
NS_2	08612037	SPACER QTR GLASS 0.300" (6)	1
NS_3	05705865-09000	SEAL FOAM ROOF TO A PILLAR .5" x 1.5"	1

Wiper System

Motor and Linkage Assembly

09801835

Viewed from engine side.



Wiper System

Motor and Linkage Assembly

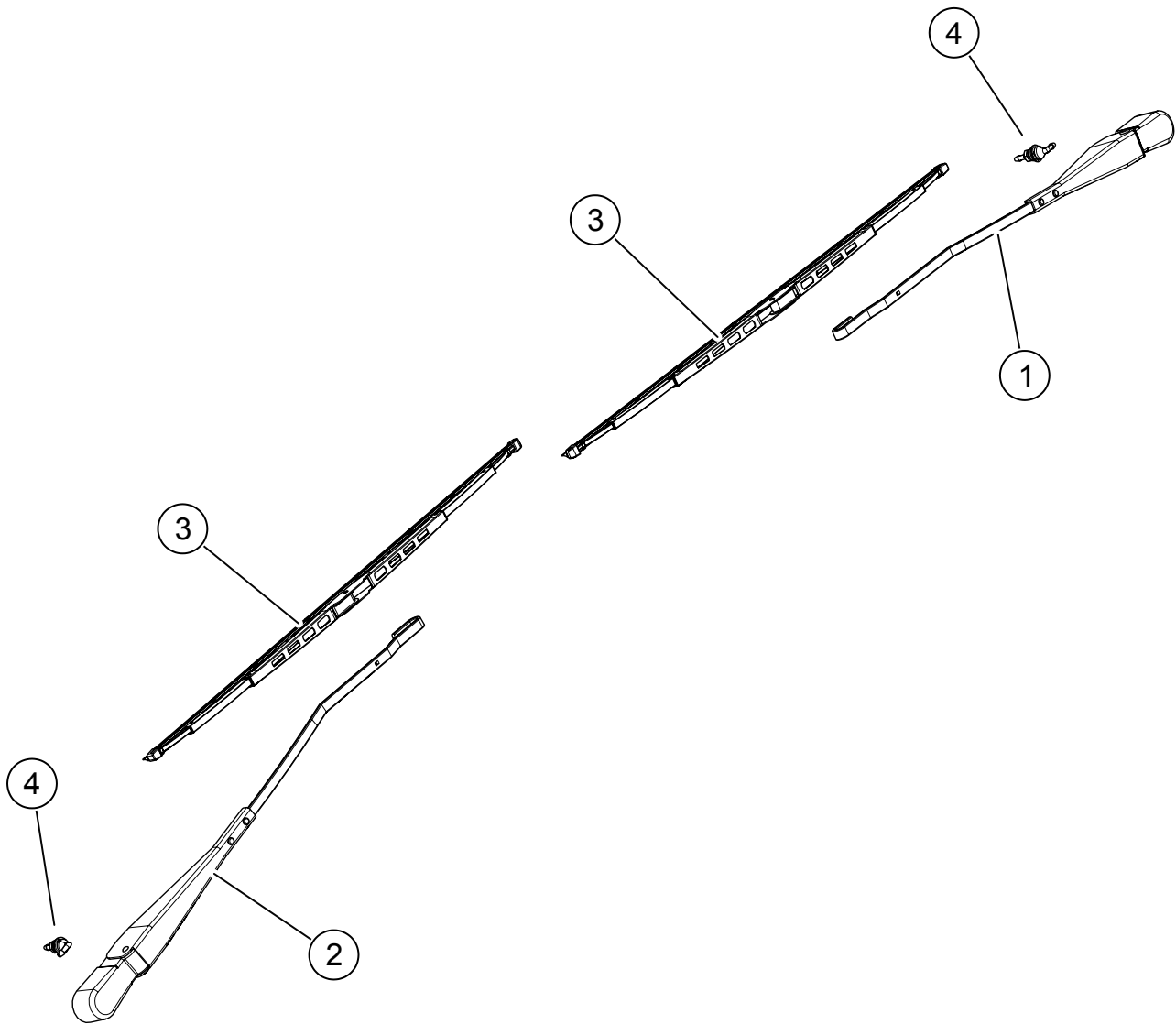
09801835

BOM ID	Part Number	Description	Qty
0	09801835	09801835A MOTOR AND LINKAGE ASSEMBLY	1
1	09802848	09801835a MOTOR 12V 49 Nm DYNAMIC PARK	1
2	PENDING	M6 BUTTON HEAD SCREW	3
3	PENDING	M6 TOOTHED LOCK WASHER	3
4	09802845	BRACKET	1
5	PENDING	3/8-16 X .75" CARRIAGE BOLT	2
6	PENDING	3/8-16 NYLOCK NUT	2
7	PENDING	3/8" FLAT PUSHNUT	2
8	09802855	STRUT DRIVER SIDE	1
9	09802856	STRUT PASSENGER SIDE	1
10	09802852	PIVOT ASSEMBLY INTERMEDIATE	1
11	PENDING	M20 FLAT WASHER	1
12	PENDING	M20 HEX NUT	3
13	09802849	LINK ASSEMBLY INTERMEDIATE	1
14	09802846	CRANK ARM ASSEMBLY	1
15	PENDING	M8 X 1.25 FLANGED HEX LOCK NUT	1
16	09802847	LINK ASSEMBLY DRIVER SIDE	1
17	09802850	LINK ASSEMBLY PASSENGER SIDE	1
18	09802853	E-CLIP	5
19	PENDING	10MM ID FLAT WASHER	11
20	09802854	PIVOT ASSEMBLY DRIVER SIDE	1
21	09802851	PIVOT ASSEMBLY PASSENGER SIDE	1
22	PENDING	M8 X 1.25 HEX NUT	2
23	PENDING	M8 WAVY WASHER	2
24	09802857	LARGE PIVOT WASHER	4
25	09802858	PIVOT SPACER	2
26	09802859	PIVOT CAP	2

Wiper System

Wiper Arms

09801775

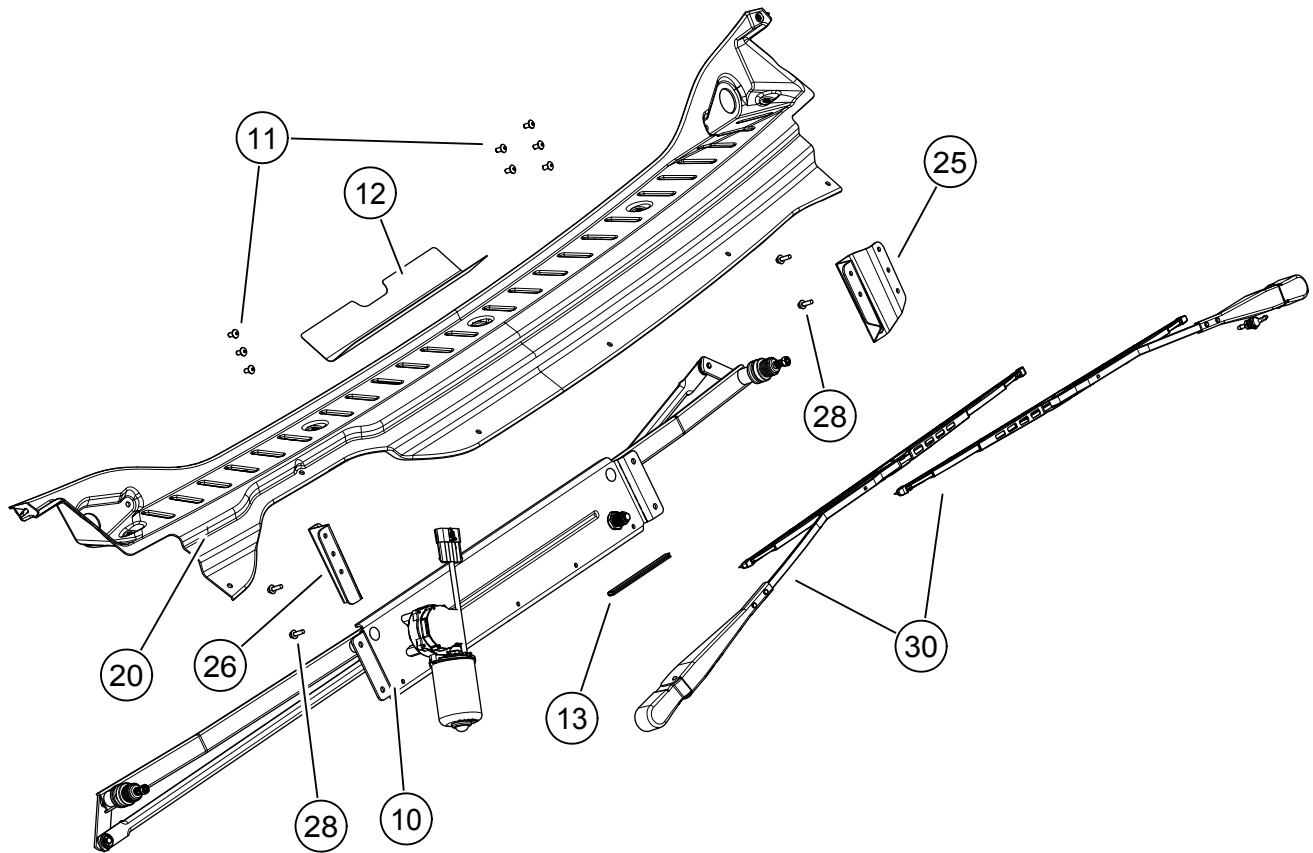


BOM ID	Part Number	Description	Qty
0	REFERENCE	09801775a WIPER ASSY PACK W/O MODULE	
1	09801836	ARM DRIVER SIDE WIPER	1
2	09801837	ARM PASS SIDE WIPER	1
3	09801838	WIPER BLADE ASSY	2
4	09801839	FITTING WASHER FLUID	2
NS_1	09802917	NOZZLE WPR ASSY WET ARM	2

Wiper System

Wiper System Installation

54431066

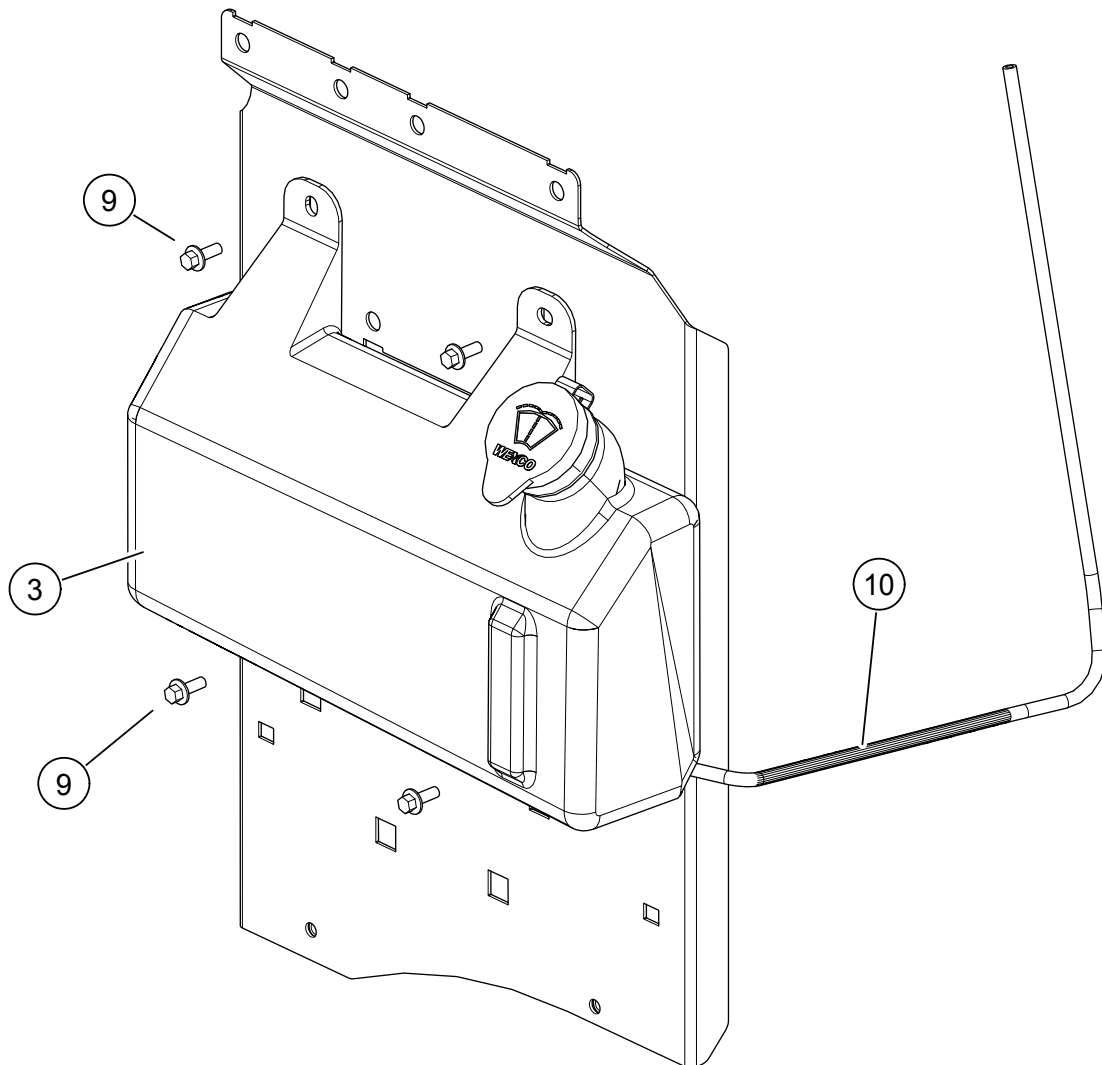


BOM ID	Part Number	Description	Qty
0	REFERENCE	54431066a WIPER SYSTEM INSTALLATION	
10	09801835	MODULE WIPER LINKAGE ASSY	2
11	11400023	MAGNA-LOC 1/4" STL SHORT	8
12	06935370	FILLER COWL KNOCK-OUT SERVICE	1
13	05302302	TRIM LOK BLK 1/8" W/ALUM INSERT 6"	1
20	REFERENCE	20511212 COWL LEAF SCREEN	
25	22823237	BRACKET WIPER MOUNT LH	1
26	22823259	BRACKET WIPER MOUNT RH	1
28	UT29-BB1-003	BOLT M6-1.00 X 20 FLG G8.8 BZ PTCH	4
30	09801775	WIPER ASSY PACK W/O MODULE	2
NS_1	05705877	FOAM 1 x .5" PSA ON 1" ONE SIDE	1
NS_2	16516560	HARNESS WIPER HVAC COND FAN 2013	1

Wiper System

Washer Fluid Reservoir

54430024-00001



BOM ID	Part Number	Description	Qty
0	REFERENCE	54430024-00001e WASHER FLUID RESERVOIR	
3	09801785	WASHER FLUID RESEVOIR ASSY	1
9	UT29-BB1-002	BOLT M6-1.00 X 16 FLG G8.8 BZ PTCH	4
10	01400711	HOSE 5/32" W/S WASHER	1
NS_2	08612009	GROMMET DASH PANEL RH	1
NS_3	09801600	TEE WASHER 1/8 X 1/8 X 5/32	1

Special Upfit Kits

Linen Package

Order the complete 12' linen rack kit V03-12SK.

Order the complete 14' linen rack kit V03-14SK.



Linen (pipe rack) package

Stationary Shelving Package

Order the complete 12' stationary shelving kit V02-12SK.

Order the complete 14' stationary shelving kit V02-14SK.



Stationary (non-fold up) shelving package

Ordering Parts

How to Order

Reach dealers should order Utilimaster vehicle parts through the Isuzu ICS system.

- Utilimaster parts will be invoiced through the Isuzu Accounts Receivable system and will be processed as Isuzu parts purchases.
- Parts will be drop shipped by Utilimaster via pre-paid freight.
- Utilimaster and Isuzu parts must be submitted as separate orders.
- Shortage claims, freight claims and return requests should be submitted through ICS. Isuzu will transfer the claims/requests to Utilimaster.
- Contact the Isuzu Parts Technical Hotline 877-478-9828 for assistance with finding Utilimaster part numbers.
- Questions regarding availability, shipment status, and other issues that cannot be answered through normal ICS inquiries should be directed to Utilimaster at 800-237-7806.
- For questions on the order process, contact an Isuzu District Service and Parts manager or the dealership's Regional office.

Revision Control

Part Number: 03103361-PY15EN

Revision: A

February 2016

Important Notices

© 2016, Utilimaster.®

Title: *2015 Reach–Body Parts Manual*

Utilimaster Corporation attempts to provide information that is accurate, complete, and useful. All information contained in this manual is based on the latest product information available at the time of publication. However, because of the Utilimaster policy of continual product improvement, Utilimaster reserves the right to amend the information in this document at any time without prior notice.

This material is confidential and the property of Utilimaster. It is shared with your company for the sole purpose of helping you with the operation of the described equipment.

Utilimaster makes no warranty of any kind with regard to this material, including, but not limited to, the implied warranties of merchantability and fitness for a particular purpose. Utilimaster shall not be liable for errors contained herein or for incidental or consequential damages in connection with the furnishing, performance, or use of this material.

Utilimaster expressly disclaims all responsibility and liability for the installation, use, performance, maintenance, and support of third-party products. Customers are advised to make their independent evaluation of such products.

No part of this document may be photocopied, reproduced, or translated to another language without the prior written consent of Utilimaster.

Utilimaster® and Aeromaster® are registered trademarks of Spartan Motors USA. All other products or name brands mentioned in this document are trademarks of their respective owners.

Reach Customer Service
HOTLINE 574-848-2200
Monday—Friday 8 a.m. to 5 p.m. Eastern Standard Time Zone

Email: reach@utilimaster.com

Part Number: 03103361-PY15EN

©Utilimaster Corporation, 603 Earthway Blvd., Indiana 46507 USA