



Body Parts Manual



Metromaster

Read First: Top Tips on Using This Online Manual

Browse pages with Bookmarks (hyperlinks) or thumbnails

A **bookmark**, at the left of the screen, is a hyperlink to a page. From any page in this document, you can use bookmarks to jump to any section heading.

To jump to a topic by using its bookmark, point to the bookmark name, and when the arrow becomes a pointing hand, click on the name. If a triangle (or + sign) appears to the left of the bookmark, click the triangle (or + sign) to show or hide subordinate bookmarks.

Thumbnails are visual icons of the actual pages. After selecting the thumbnail view button (Acrobat Reader ver. 3.0) or tab (ver. 4.0), you can quickly browse for parts sections just by the “look” of the page. Click on the appropriate thumbnail to view that page.

Use the Zoom and Fit tools for magnification of page sections

Select the Zoom tool. (In ver. 4.0, when the Hand tool is selected, you can temporarily change to the Zoom tool by holding down the Ctrl key and the space bar at the same time.) Click and drag to draw a rectangle around the area you want to magnify.

To return to an overview, you can click on one of the following buttons:

- The Fit Page button scales the *entire* page to display within the main window.
- The Fit Width button scales the page *width* to display within the main window.

Use the Text tool for copying selected text into other applications

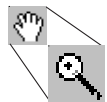
You can select text in a PDF document, copy it to the Clipboard, and paste it into another application. **By pasting parts descriptions and numbers into your email or parts form template, you can order parts much faster than through phoning or faxing.** To select text and copy it to the Clipboard:

1. Click the Text Selection tool.
2. Click and drag over the text you want to select. When you release the mouse button, the selected text stays highlighted.
3. Hold down the Ctrl key and press C on the keyboard to copy the selected text to the Clipboard.

Find parts or procedures with the Find tool

Use the Find tool to search for a fragment of a word, a complete word, or multiple words in the active document. To **find** a word (e.g., a part name):

1. Click the Find tool.
2. In the Find What text box, enter the text to be found and click Find. When the program finds the text, the Find dialog box closes and the page containing the text is displayed with the text highlighted.
3. To find the **next occurrence** of the word, press F3, press Ctrl + G, or reopen the Find dialog box and click Find Again.



Revision Control

Revision A

June 2004

Important Notices

©2004, Utilimaster.®

Printed in U.S.A.

Title: *Metromaster—Body Parts Manual*

Utilimaster Corporation attempts to provide information that is accurate, complete, and useful. All information contained in this manual is based on the latest product information available at the time of publication. However, because of the Utilimaster policy of continual product improvement, Utilimaster reserves the right to amend the information in this document at any time without prior notice. Should you find inadequacies in the text, please send your comments to the following address:

Utilimaster
Attn: Designer of Technical Publications
65906 State Road 19, P.O. Box 585
Wakarusa, Indiana, 46573-0585, U.S.A.

NOTE: When phoning Utilimaster, be aware that our 219 telephone area code changed to 574 in January 2002. The 800 numbers were unaffected.

This material is confidential and the property of Utilimaster. It is shared with your company for the sole purpose of helping you with the operation of the described equipment.

Utilimaster makes no warranty of any kind with regard to this material, including, but not limited to, the implied warranties of merchantability and fitness for a particular purpose. Utilimaster shall not be liable for errors contained herein or for incidental or consequential damages in connection with the furnishing, performance, or use of this material.

Utilimaster expressly disclaims all responsibility and liability for the installation, use, performance, maintenance, and support of third-party products. Customers are advised to make their independent evaluation of such products.

No part of this document may be photocopied, reproduced, or translated to another language without the prior written consent of Utilimaster.

Utilimaster®, Metromaster®, and Aerocap® are registered trademarks of Utilimaster Corporation. All other trademarks are products of their respective companies.

Browse the award-winning web site www.utilimaster.com for more information about Utilimaster and its products.



- Revision Control* 3
- Important Notices* 3
- Introduction* 6
- Decoding Part Numbers* 6
 - Finding Part Numbers*..... 6
 - Item Numbers* 6
 - Part Number with a Suffix* 7
 - Part Descriptions* 7
- Vehicle Identification Number (VIN)* 8
- Unit (or Body) Serial Number and Federal Certification Label* 8
- Work Order Numbers* 8
- Ordering Parts* 9
 - How to Order* 9
 - Returns* 9
 - Customizable Parts Order Form* 9
 - Faxable Parts Order Form* 10
- Filing Warranty Claims* 11
- Reporting Safety Defects* 12
 - United States Only* 12
 - Canada Only* 12

<i>More Information</i>	13
<i>Download Files</i>	13
<i>Utilimaster Quick Reference Parts Guide</i>	13
<i>Utilimaster Glossary of Terms</i>	13
<i>Utilimaster Body Service Manual</i>	13
<i>Contact Utilimaster</i>	13
<i>Diagrams and Parts Lists</i>	14
1— <i>Subframe and Cargo Floor</i>	14
2— <i>Rear Bumpers</i>	16
3— <i>Rear Structure, Narrow Door</i>	18
3— <i>Rear Structure, Full Width Door</i>	20
4— <i>Rear Swing Doors, Cam Lock</i>	22
4— <i>Rear Swing Doors, Slam Lock</i>	24
4— <i>Rear Roll-up Door</i>	26
5— <i>Sidewalls</i>	30
6— <i>Roof Assembly</i>	32
6— <i>Roof Front Caps</i>	34
6— <i>Aerocap Headliner</i>	36
7— <i>Front and Midship Wall, with Sliding Door</i>	38
7— <i>Front and Midship Wall, Aerocap with Sliding Door</i>	40
8— <i>Electrical Harnesses</i>	42
9— <i>Options, Roof Ladder</i>	44
<i>Index</i>	46

Introduction

This manual lists parts for Utilimaster® Metromaster® bodies. It contains exploded-view drawings and parts lists to aid in ordering replacement parts. This manual covers only those assemblies manufactured by or installed by Utilimaster Corporation. Items such as chassis and drive train components or certain interior furnishings are covered by separate manufacturer-supplied information.



All information, specifications, and illustrations contained in this manual are based on the latest product information available at the time of publication. However, because of the Utilimaster policy of continual product improvement, Utilimaster reserves the right to amend the information in this document at any time without prior notice.

Decoding Part Numbers

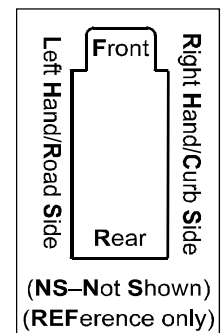
Finding Part Numbers

This manual contains exploded-view drawings and parts lists for standard factory parts. The drawings illustrate the various parts and their general locations. The parts list accompanying a drawing describes each part and gives the corresponding Utilimaster part number. Some parts may appear on multiple drawings and lists.

Item Numbers

Drawings have item numbers identifying each part in the drawing:

- Item numbers lead with the section number (e.g., all **7.X** numbers are Front Wall parts).
- The item numbers are listed numerically in the parts lists (e.g., **7.1**, **7.2**, **7.3**) followed by the Utilimaster part number and part descriptions.
- The corresponding side of the vehicle (if applicable) is identified by a **RH** (**Right Hand**) or **LH** (**Left Hand**) suffix. (See the directional icon here and on the parts list pages.)
- A numerical suffix (e.g., **2.5.1**) indicates a part variation, a component of the preceding part, or fasteners for the preceding part.
- Other item number suffixes might indicate vehicle height, width, or other information that specifies that part (e.g., **3.1-90 LH**).
- Parts that are not shown have the **X.NS** suffix.
- Assembly numbers (**X.Ref**) are listed only for Utilimaster parts representatives to cross-reference.



Part Number with a Suffix

A **part number with a suffix** might require you to include more information:

- The **Length** suffix needs the **length of the part** being replaced.
- An **Appendix** suffix requires cross-referencing the number with an appendix in the back of this manual. (See the Table of Contents.)
- A part number with a **Chart** suffix depends on various body options to accurately replace the part. Customer Service will consult your vehicle body options from your supplied Body Serial Number.

In some cases specific part numbers are replaced by a code.

- **Parts Guide** refers to the *Utilimaster Quick Reference Parts Guide*. (See the More Information section.)
- **BSNR** means the **Body Serial Number is Required**. (See the Utilimaster Body Serial Number section.)

Our Customer Service Department will gladly help if you need assistance.

Part Descriptions

Two asterisks (**) in front of the part description indicates that this part number is not currently used in Utilimaster production. These parts may take longer to deliver or may be replaced (superseded) by a different part number.



LA-5
Vehicle Identification Number



LA-20
Label on Door Post

MANUFACTURED BY:		GVWR 5216 KG (11500 LB)		TRES		RIMS		COLD INFLATION PRESSURE		THIS VEHICLE CONFORMS TO ALL APPLICABLE FEDERAL MOTOR SAFETY STANDARDS IN EFFECT ON THE DATE OF MANUFACTURE SHOWN.	
65906 STATE ROAD 19 P.O. BOX 585 WAKARUSA, INDIANA 46573-0585		FRONT 1995 KG (4400 LB)		LT225/75R16E 16X6E		N/A		4+8 KPA (65 PSI)		VEHICLE ID. NO.:	
DATE OF MANUFACTURE: APRIL 2000		INTERM: N/A KG N/A LB		N/A		N/A		N/A KPA (N/A PSI)		XXXXXXXXXXXXXXXXXXXX	
INCOMPLETE VEHICLE MANUFACTURED BY:		REAR 3538 KG (7800 LB)		LT225/75R16E 16X6E		N/A		4+8 KPA (65 PSI)		VEHICLE TYPE: TRUCK	
DATE INC. VEH. MFD.: FEBRUARY 2000										UNIT SERIAL NO.:	
										XXXXXXXXXXXXXXXXXXXX	
										WXXXXXXX	

LA-10
Federal Certification Label

Vehicle Identification Number (VIN)

The chassis **Vehicle Identification Number (VIN)** is the legal identifier for this vehicle and is the number recorded in the license plate registration. The VIN appears on a small metal plate on the dash on the driver's side. You can read the VIN if you look through the windshield. The number is also recorded on the Federal Certification Label. (See Illustrations LA-5 and LA-10.)

Unit (or Body) Serial Number and Federal Certification Label

The **Utilimaster Unit (or Body) Serial Number** is recorded on the **Federal Certification Label**. This label is a plastic decal (about 11" long and 2" high) that contains a variety of manufacturing information (including the VIN). This label is found on the door post. (See Illustration LA-10 and LA-20.)

Work Order Numbers

A **Work Order Number** appears below the **Unit Serial Number** on the **Federal Certification Label** and may also be stamped on the left-hand base rail. This number can be used when the body is no longer mounted on the original chassis. (See Illustrations LA-10 and LA-30.)



Illustration LA-30
Work Order Number

Ordering Parts

How to Order

To order parts for this vehicle, gather the following information:

- **Model and year of vehicle** (200x-*Customer name*).
- **Chassis VIN or Utilimaster Body Number** (see page 8).
- **Complete shipping address.**
- **Preferred method of shipping.**
- **Complete description of all the parts necessary** (see parts lists).
- **Method of payment.**

NOTE: Customer Service prefers payment by Visa, MasterCard, Discover, or American Express credit cards. Purchase Orders from customers with established open accounts are also accepted.

Then contact Utilimaster Customer Service by using one of the following methods:

- **Email** your order to CustSvc@Utilimaster.com. (See Customizable Parts Order Form below.)
- **Fax** your order to **574-862-7637**.
- **Call 800-237-7806** (574-862-3219) and ask for the Parts Department.
- **Mail or express service** your order to the following address:

Utilimaster Corp.
Attn: Parts Department
65528 State Road 19
P.O. Box 585
Wakarusa, IN 46573-0585
U.S.A.

NOTE: When phoning Utilimaster, be aware that our 219 telephone area code changed to 574 in January 2002. The 800 numbers were unaffected.



Returns

To return parts for credit, call the Customer Service Department for prior authorization. All returns must be shipped prepaid freight. A restocking fee will be charged to all returns. Special-order parts are not returnable.

Customizable Parts Order Form

The **Parts Order Form** on the next page can be photocopied from this manual. Then one of the copies can be filled in with the relevant information and faxed or mailed to Utilimaster Customer Service.

You can also download a customizable form template file from the Utilimaster web site www.utilimaster.com. That template is similar to the form on the next page, but it has a header that you can customize with your name and address. Then, to order parts, you only have to enter the specific information about the vehicle—saving retyping the same address information repeatedly. After completing the form information, the file can be emailed as an attachment. That form can also be used for mailing or faxing.

Service Center Name _____

Address _____

Contact Person _____

City, State, Zip Code _____

Email _____

Phone _____

Fax _____

To Utilimaster Parts Department
(or mail to 65528 State Road 19, P.O. Box 585
Wakarusa, IN 46573-0585, U.S.A.)

FAX 574-862-7637

Date _____

Preferred Shipping _____
(i.e., type of carrier and service priority)

Re Parts Order ____
or
Request for Quote Only ____

Credit Card # _____
Exp. Date _____
(or) Purchase Order # _____
(For customers with open accounts)

Special Instructions _____
(e.g., different shipping address)

Signature _____
Service Center Representative's Signature

Vehicle Model		Utilimaster Body S/N or Chassis VIN		Application
				Maintenance __ Accident __ or Warranty __
Order Item #	Utilimaster Part Number	Part Description	Quantity	Comments (optional)
1.				
2.				
3.				
4.				
5.				
6.				
7.				
8.				
9.				
10.				
11.				
12.				
13.				
14.				
15.				

Filing Warranty Claims

If a problem on the Utilimaster body is caused by a defect in materials or workmanship during the warranty period, it will be covered by our Limited Warranty. Chassis, engine, tires, and battery failures are covered by the individual manufacturers.

Claims must meet the requirements listed below. Failure to meet these requirements may result in a denied or delayed claim.

Complete a repair order with the following information:

- **Chassis VIN or Utilimaster Body Serial Number** (see page 8).
- **Year and model of vehicle.**
- **Owner's and/or service facility's name and complete address.**
- **Service center representative's signature** (or name).
- **Date vehicle was repaired.**
- **Mileage at time of failure.**
- **Itemized description of the problem, including complaint, cause of failure** (if known), **and correction** (describe in detail).
- **Service center labor rate and total time of repair.**
- **Total claim amount, including cost of parts** (include Utilimaster P/Ns), **labor, miscellaneous charges, and sales tax** (if applicable).
- **Your claim or repair order number.**
NOTE: The claim or repair order number is the number used to match Utilimaster payment with the work done. It will be noted on your payment.
- **Utilimaster authorization number** (repairs costing over \$150 U.S. or for structural warranty require prior authorization from Utilimaster).

Other claim requirements:

- Any repairs **over \$150 U.S. or for structural warranty require prior authorization** from Utilimaster, and that number must appear on the repair order. Contact the Warranty Department.

- Any claim that is not **legible and complete** will be returned for completion.
- **All paint claims** require pictures, estimates, and prior authorization.
- **Shipping damage claims** also require pictures, estimates, and prior authorization. The damage must also be noted on the Delivery Acceptance form. This form requires the signature of the carrier driver.
- **Sublet work** must have the sublet repair order attached to the service facility's repair order that is being submitted.
- Claims must be **submitted within 30 days** after the repair is completed.

The claim can be mailed, faxed, emailed, or performed on-line on our web site (assuming all required information is included).

- Warranty claims should be **mailed** to:

**Utilimaster
Attn: Warranty Department
65528 State Road 19
P.O. Box 585
Wakarusa, IN 46573-0585
U.S.A.**

- Alternately, you can **fax** your claim (if no photographs are involved) with the above information to **574-862-7637**. (The resolution of the received copies must be acceptable, or you will be asked to mail your hard copies.)
- Or you can **email** your claim with the above information to **Warranty@Utilimaster.com**. (You can download a customizable **Warranty Claim Form template** from the Utilimaster web site **www.utilimaster.com**. The template has a header that you can customize with your name and address. Then, to file a claim, you only have to enter the specific information about the vehicle—saving retyping the same address information repeatedly. After completing the form information, the file can be emailed as an attachment. This form can also be used for mailing or faxing.)

Claims are paid semimonthly. Utilimaster generally does not pay sales tax on claims. If you do not have our tax exemption number on file, please call 800-528-3454 or 574-862-4561 and ask for the accounting department to obtain the number. Before returning any parts, contact a Utilimaster Warranty representative.

NOTE: When phoning Utilimaster, be aware that our 219 telephone area code changed to 574 in January 2002. The 800 numbers were unaffected.



CAUTION: Utilimaster vehicles are built to designed specifications. Improper use or overloading can cause damage to the equipment and void the warranty.



WARNING: Unauthorized alteration or improper maintenance or repair can result in possible dangerous driving conditions.

Reporting Safety Defects

United States Only

If you believe that your vehicle has a defect that could cause a crash, injury, or death, you should immediately inform the National Highway Traffic Safety Administration (NHTSA), in addition to notifying Utilimaster.

If NHTSA receives similar complaints, it may open an investigation, and if it finds that a safety defect exists in a group of vehicles, it may order a recall and remedy campaign. However, NHTSA cannot become involved in individual problems between you, your dealer, or Utilimaster.

To contact NHTSA, you may either call the Auto Safety Hotline toll-free at **800-424-9393** (or **202-366-0123** in the Washington, D.C., area) or write to:

NHTSA

U.S. Department of Transportation

400 Seventh Street

Washington, DC 20590

You can also obtain other information about motor vehicle safety from the Hotline.

Canada Only

If you believe that your Canadian-registered vehicle has a defect that could cause a crash, injury, or death, you should immediately inform Transport Canada, in addition to notifying Utilimaster.

To contact Transport Canada, call **800-333-0510** (or **613-993-9851** in the Ottawa region) or write to:

Transport Canada

Motor Vehicle Defect Investigation

PO Box 8880

Ottawa, Ontario, K1G 3J2

More Information

Download Files

Many support documents, including those described here, are downloadable (as Adobe® Acrobat® PDF files) from our award-winning web site at www.utilimaster.com. **Click on the Technical Manuals button, to access the download page.** To view the files you must have the Adobe Acrobat Reader version 4.0 or higher installed on your computer. Acrobat readers are available free for all leading computer operating systems on the Adobe web site (www.adobe.com).

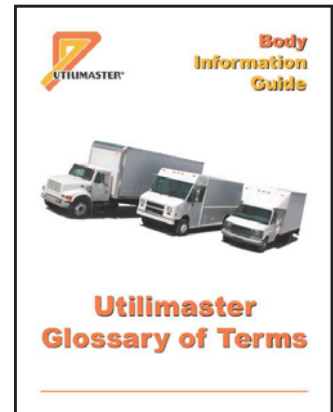


Utilimaster Quick Reference Parts Guide

Easily find commonly replaced parts for most Utilimaster vehicles in the *Utilimaster Quick Reference Parts Guide*. This illustrated document includes more part numbers for bumpers, door hardware, electrical components, mirrors, vents, mud flaps, windows, roll-up door parts, and many other parts. It also includes sealants and repair kits.

Utilimaster Glossary of Terms

If you are not familiar with some of the terminology used in this manual, you can find many Utilimaster and industry associated terms and definitions in the *Utilimaster Glossary of Terms—Body Information Guide*.



Utilimaster Body Service Manual

Find routine maintenance procedures, flat rates, wiring diagrams, troubleshooting, proper adjustment methods, vehicle repair, aftermarket upgrades, and much more in Utilimaster's *Truck Body and PDV—Body Service Manual*.

Contact Utilimaster

Browse our site for more information about Utilimaster and its products or contact Utilimaster Customer Service by using one of the following methods:

- Call 800-237-7806 (or 574-862-3219).
- Fax to 574-862-7637.
- Email to CustSvc@Utilimaster.com.
- Mail to the following address:

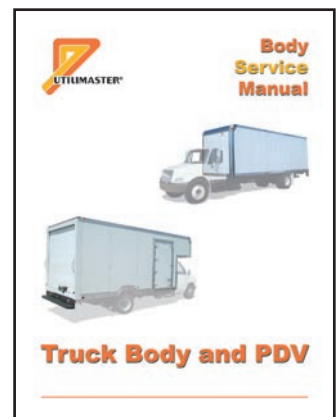
Utilimaster

Attn: Customer Service Department

65528 State Road 19

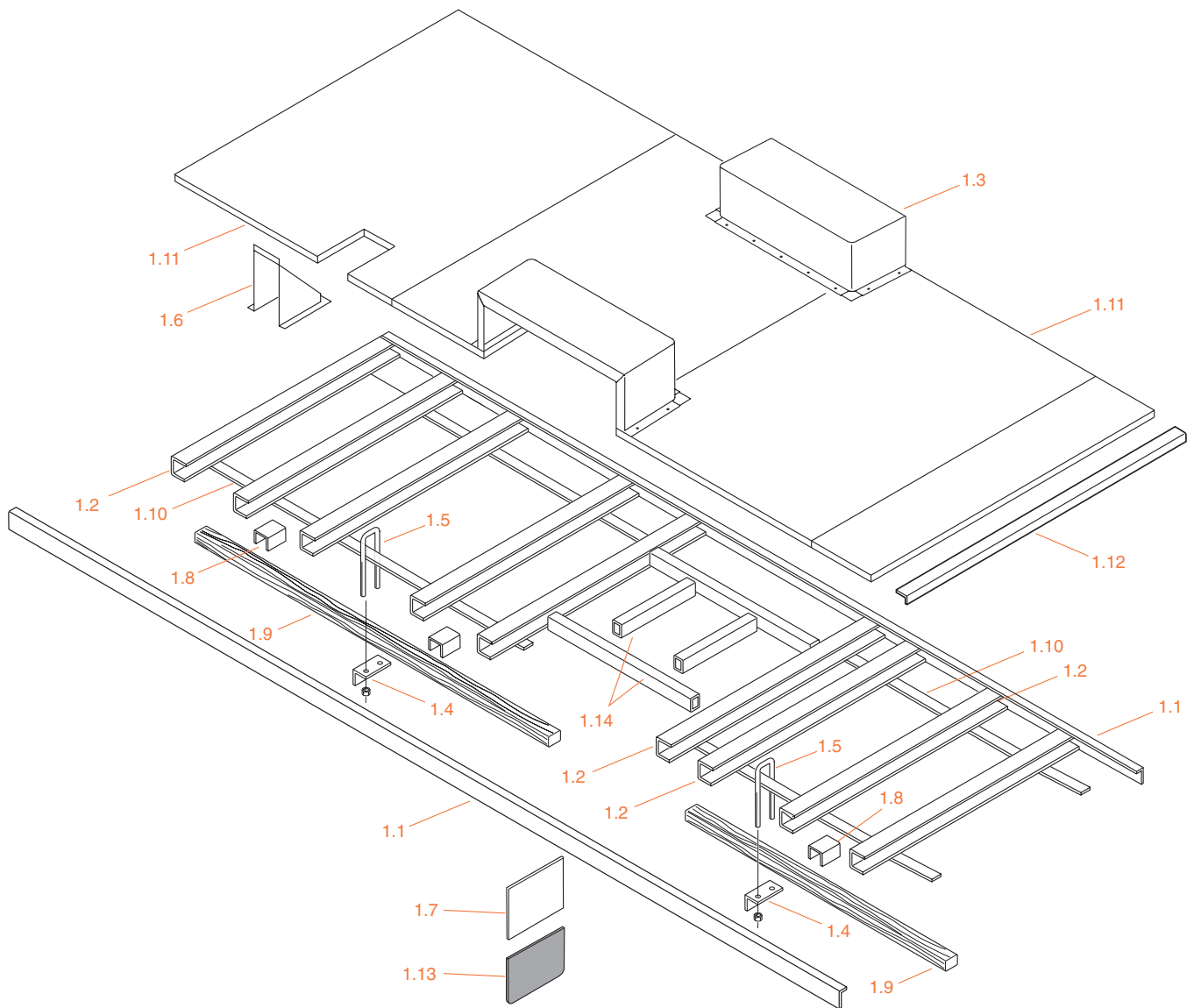
P.O. Box 585

Wakarusa, IN 46573-0585, U.S.A.



Diagrams and Parts Lists

1—Subframe and Cargo Floor



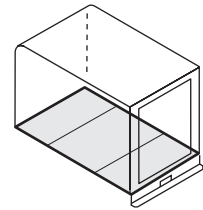
Subframe

Utilimaster, 65528 State Road 19, P.O. Box 585, Wakarusa, IN 46573-0585, U.S.A.

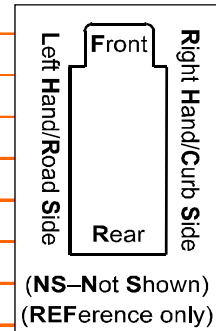
Email CustSvc@Utilimaster.com or Browse the web site www.utilimaster.com.

Call 800-237-7806 (or 574-862-3219) or Fax to 574-862-7637.

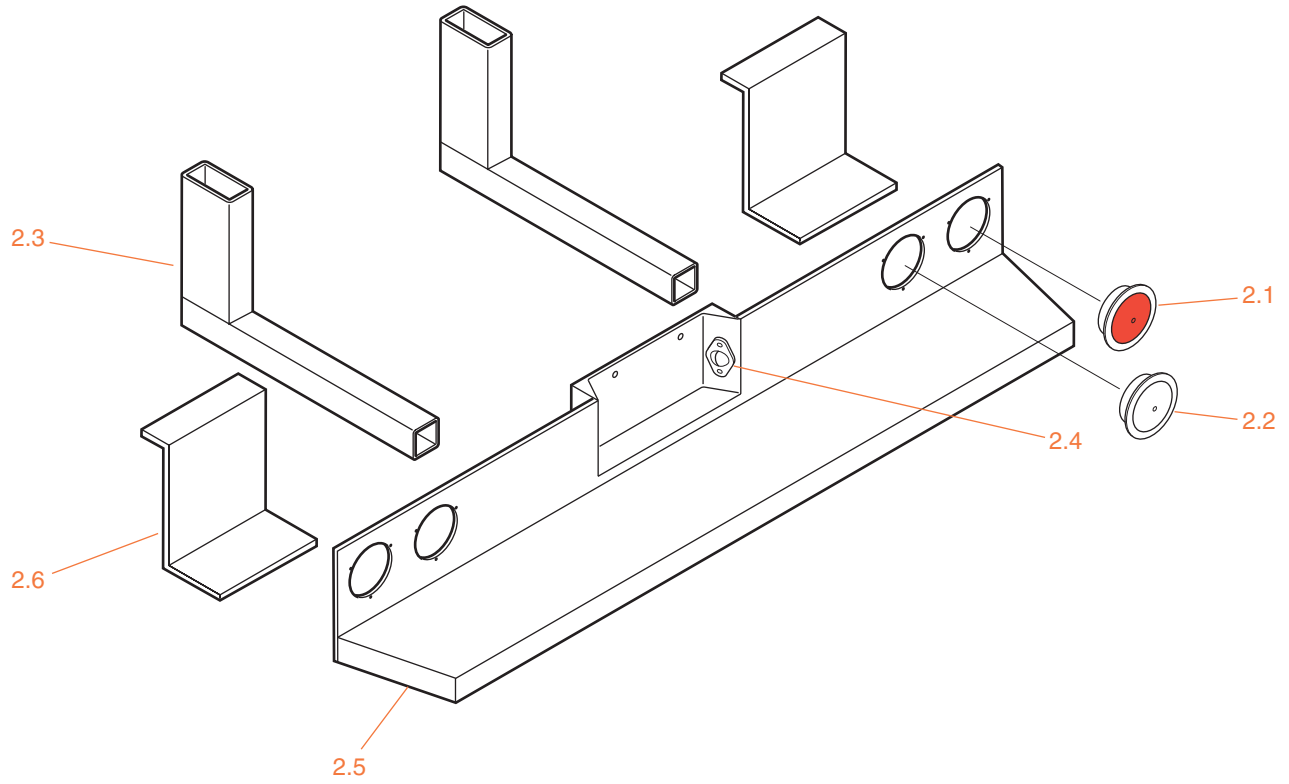
(See the Decoding Part Numbers section for Item, Part, and Description codes.)



Item	Part Number	Description
1.0		Metromaster Subframe and Cargo Floor
1.1	22817766	PERIMETER RAIL 4.50 x 1.50 x 145.50
1.2	22817980-Width	CROSSMEMBER 2 x 3 FRMD C
1.3	01300175	W/WELL 12GA x 32 x 12 x 8.56
1.4	22300309	BAR ANGLE TIE .38 x 2 x 2 x 6 HP
1.5.1	11006002	U-BOLT 5/8 x 3.5 x 13
1.5.2	11008511	WASHER 5/8 LOCKPLAIN
1.5.3	11007115	NUT HEX 5/8-11 PLAIN
1.6	22816028	KNEE COVER GAS
1.7	22000523	PLATE MUD FLAP 16GA x 11.5 x 11.5 SRW
1.8	22816141	KEEPER WOOD RISER
1.9	02805363	OAK MOUNTING 1.62 x 2 x 144.0
1.10	01701249-Length	BAR STL 3/8 x 2 (Specify Length)
1.11	02101119	PLYWOOD FIR T&G 1.125 x 48 x 93.875
1.12	22818123	CAP RR FLOOR 16GA GALV 1.12 x 1.12 x 78.00
1.13	01901684	MUDFLAP SRW 11-3/8 x 12 PLAIN
1.14	22250041-Length	TUBE 12GA x 2 x 2 x (Specify Length)
1.NS	12605987	BRITE WHT ADHESIVE
1.NS	08707582	CLAMP FRAME
1.NS	08611300	CLAMP TAILPIPE U 3-1/4"
1.NS	22818535	ELBOW EXHST EXT 3.18"ID x 15.5 45
1.NS	12605952	SIKAFLEX 227 GRAY ALUM
1.NS	12300840	TAPE BUTYL 1/8 x 1-1/4 50' RL
1.NS	12301800	TAPE CAULKING 1/8 x 3/4 30' /RL
1.NS	22202228-Length	TUBE 11GA x 1 x 2 (Specify Length)
1.Ref	51311013	L/OUT U-BOLT MOUNTING MET-MASTER 10'
1.Ref	51311014	WELD 12' S/FRM M/MSTR 138" W/B FORD



2—Rear Bumpers



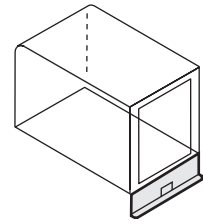
Rear Bumpers

Utilimaster, 65528 State Road 19, P.O. Box 585, Wakarusa, IN 46573-0585, U.S.A.

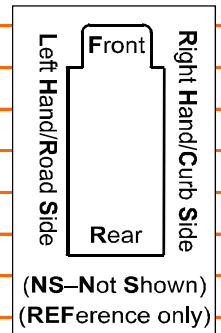
Email CustSvc@Utilimaster.com or Browse the web site www.utilimaster.com.

Call 800-237-7806 (or 574-862-3219) or Fax to 574-862-7637.

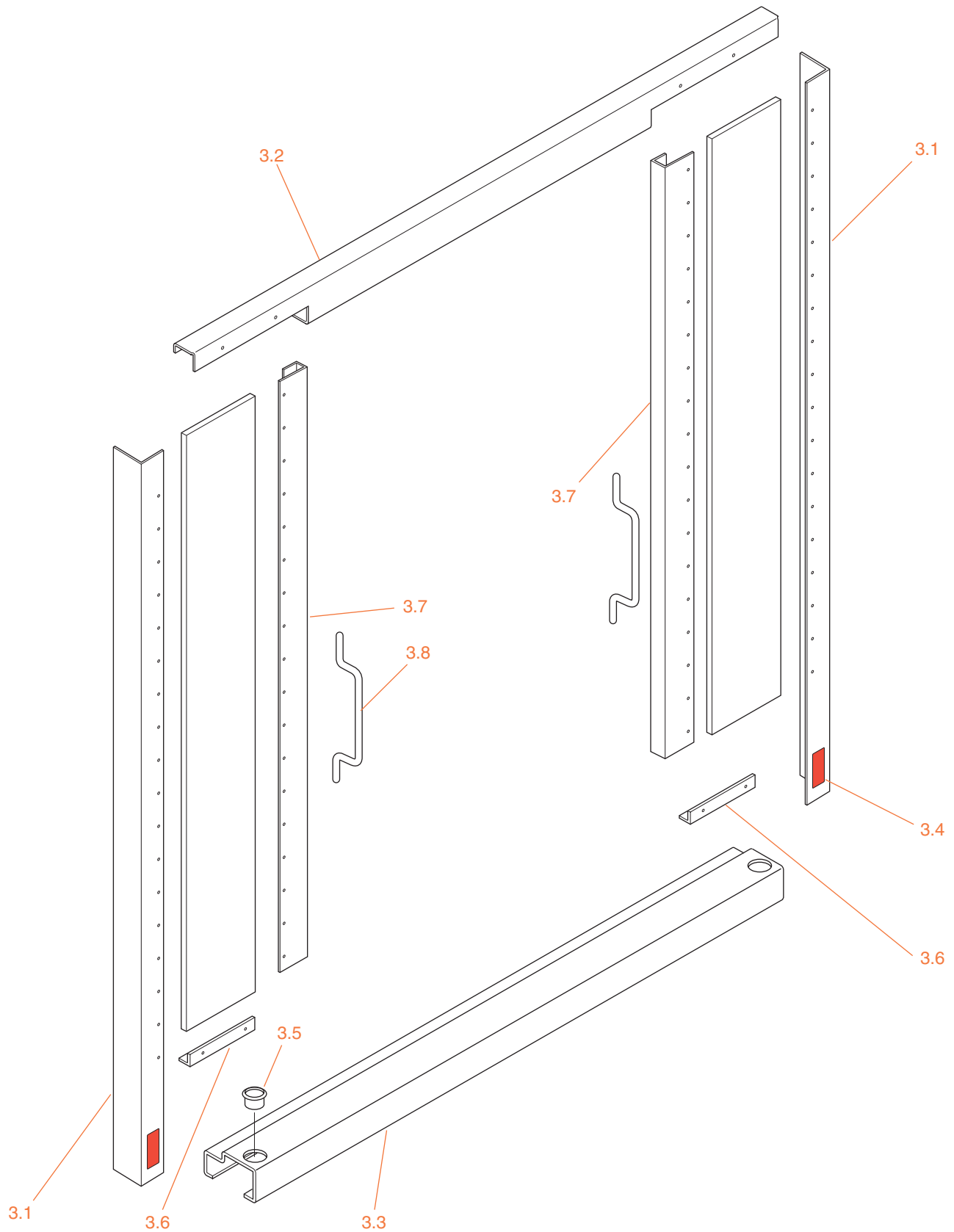
(See the Decoding Part Numbers section for Item, Part, and Description codes.)



Item	Part Number	Description
2.0		Metromaster Rear Bumpers
2.1.1	15202114	LIGHT TAIL W/GRND
2.1.2	16513007	LIGHT ROUND ST/TN/TL LED KIT
2.2	15202115	LIGHT B/UP W/GRND
2.3.1	22818163	WELDMENT BUMPER SUPPORT 14.63
2.3.2	22818164	WELDMENT BUMPER SUPPORT 16.63
2.4	16500153	LIGHT LICENSE PLATE
2.5.1	51305409	BUMPER WELDMENT REAR STEP 8" x 71"
2.5.2	51351013	WLDMT RR BMPR 71" POOCH PNTD TMSTR
2.6	06925338	SHIELD SPLASH .063 x 12.00



3—Rear Structure, Narrow Door



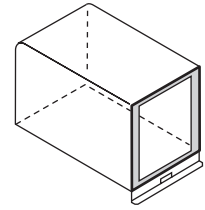
Rear Structure, Narrow Door

Utilimaster, 65528 State Road 19, P.O. Box 585, Wakarusa, IN 46573-0585, U.S.A.

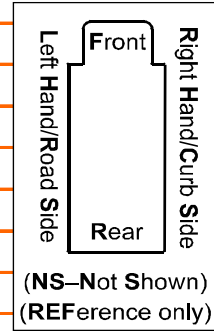
Email CustSvc@Utilimaster.com or Browse the web site www.utilimaster.com.

Call 800-237-7806 (or 574-862-3219) or Fax to 574-862-7637.

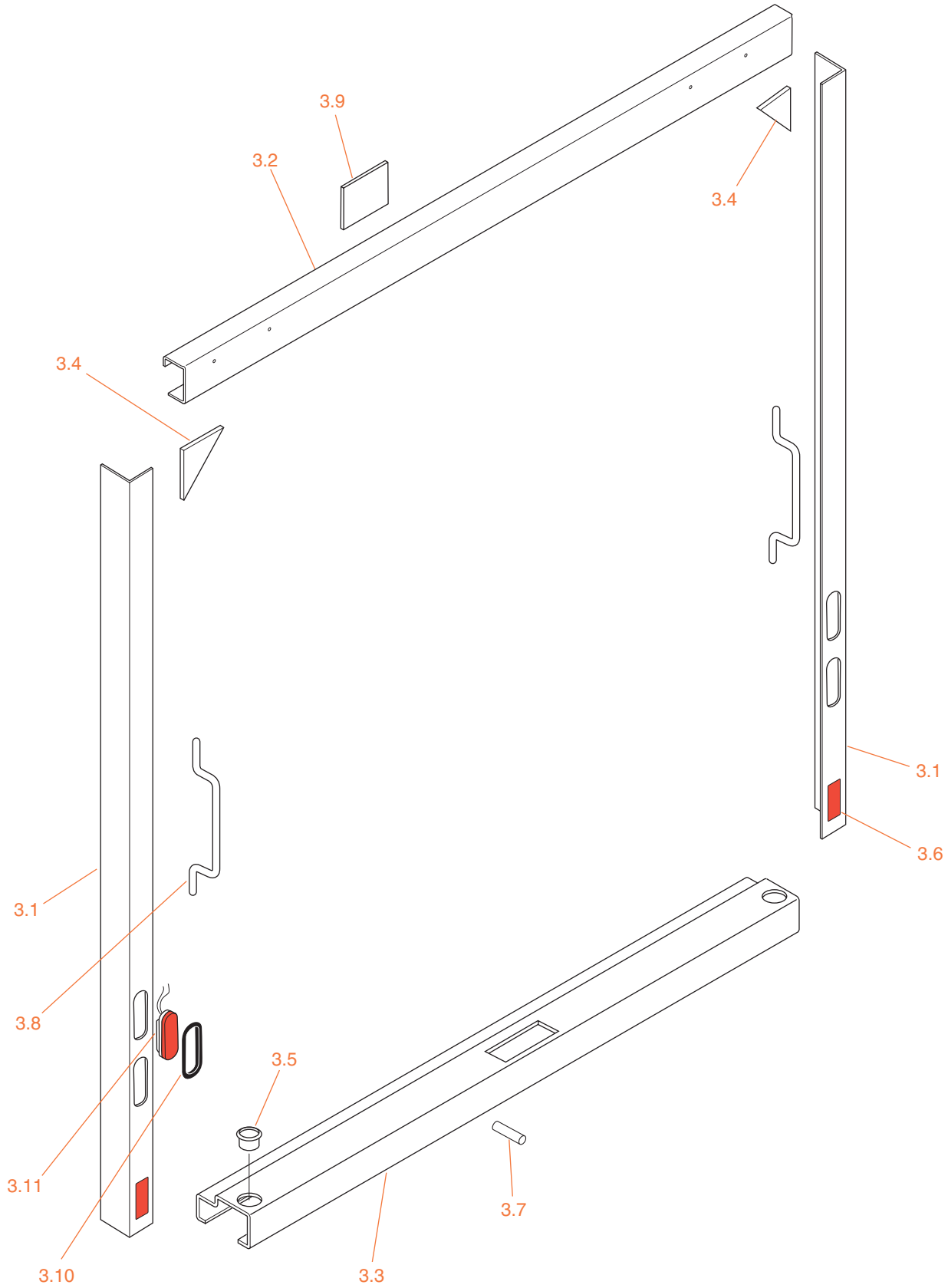
(See the Decoding Part Numbers section for Item, Part, and Description codes.)



Item	Part Number	Description
3.0		Metromaster Rear Structure Narrow Door
3.1	BSNR	POST REAR CORNER
3.2	BSNR	HEADER REAR
3.3	BSNR	THRESHOLD REAR
3.4	15200498	REFLECTOR RED TAPE
3.5	16500073	BUSHING SNAP 7/8"
3.6	01701950-Length	ANGLE 1/8 x 1.5 x 1.5
3.7	BSNR	POST REAR DOOR INNER
3.8	08611358	HANDLE GRAB ALUM 1/2" x 13"
3.NS	12606027	SIKAFLEX WHITE
3.NS	12301160	TAPE GASKA GRAY PVC.06 x .75 150' ROLL
3.Ref	55211038	RR STR WLDMT 96"W 50" SWG DRS
3.Ref	55301351	RR STR WLD HRS 50" SPCL SWG DRS CHT
3.Ref	55281014	GVNL RR STR 40"OPNG KSN SLAM U2 CHRT
3.Ref	55281015	RR STR WLDMT CHART 96"W SLM/SWG/RMP
3.Ref	55281016	WLDMT RR STR 96"W CHART
3.Ref	55281024	WLDMT RR STR SWG DRS 50" OPNG CHART
3.Ref	55311008	WLDMNT RR STRUCT 50" SWNG DBLT CHART
3.Ref	55311012	WLDMT RR STRCT CHART 40" OPNG DBLT
3.Ref	55311005	REAR STR WLDMNT SWING 78"H M/MSTR



3—Rear Structure, Full Width Door



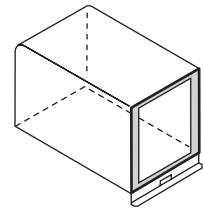
Rear Structure, Full Width Door

Utilimaster, 65528 State Road 19, P.O. Box 585, Wakarusa, IN 46573-0585, U.S.A.

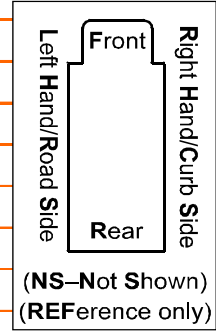
Email CustSvc@Utilimaster.com or Browse the web site www.utilimaster.com.

Call 800-237-7806 (or 574-862-3219) or Fax to 574-862-7637.

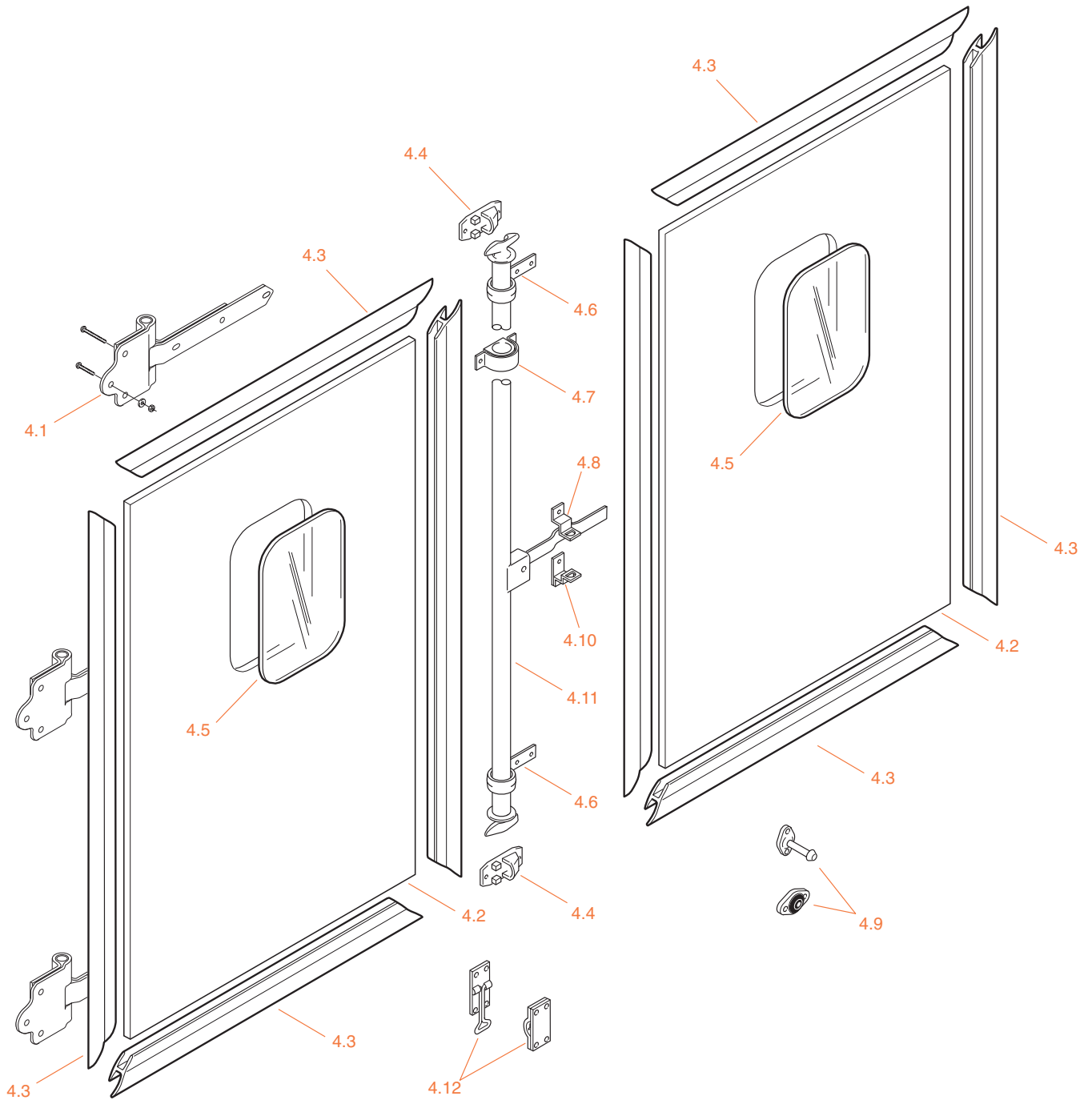
(See the Decoding Part Numbers section for Item, Part, and Description codes.)



Item	Part Number	Description
3.0		Metromaster Rear Structure
3.1	BSNR	POST REAR CORNER
3.2	22817775	HEADER REAR 12GA x 79.44
3.3	BSNR	THRESHOLD REAR
3.4	22050180	GUSSET 12GA x 6 x 6 TRIANGULAR
3.5	16500073	BUSHING SNAP 7/8"
3.6	15200498	REFLECTOR RED TAPE
3.7	22500089-00150	ROD 5/8" DIA. x 1.50
3.8	08611358	HANDLE GRAB ALUM 1/2" x 13"
3.9	22000397	STL SPRING ANCHOR PLATE 12GA x 4 x 6
3.10	15200407	GROMMET OVAL
3.11-R	15200406	LIGHT OV STOP/TL/TN RED
3.11-C	15200404	LIGHT OV SEALD BACKUP
3.NS	12606027	SIKAFLEX WHITE
3.NS	12301160	TAPE GASKA GRAY PVC.06 x .75 150' ROLL
3.Ref	55311003	REAR STR WELDMT 78"H x 79"W MMSTR
3.Ref	55311005	REAR STR WLDMNT SWING 78"H MMSTR



4— Rear Swing Doors, Cam Lock



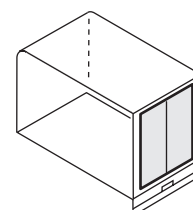
Rear Swing Doors, Cam Lock

Utilimaster, 65528 State Road 19, P.O. Box 585, Wakarusa, IN 46573-0585, U.S.A.

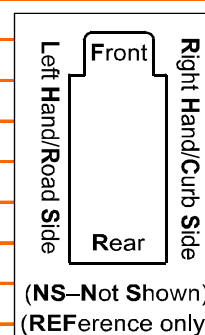
Email CustSvc@Utilimaster.com or Browse the web site www.utilimaster.com.

Call 800-237-7806 (or 574-862-3219) or Fax to 574-862-7637.

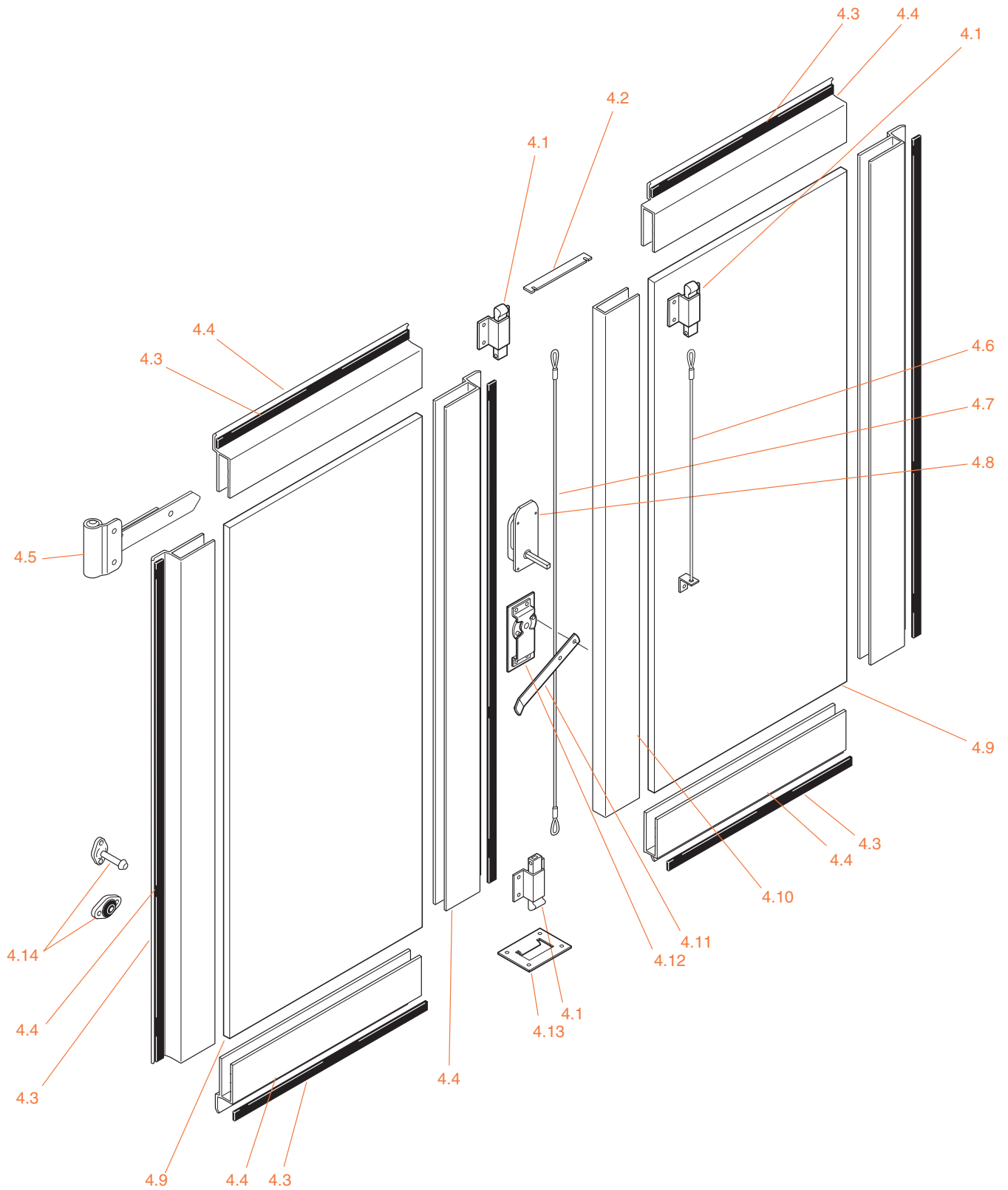
(See the Decoding Part Numbers section for Item, Part, and Description codes.)



Item	Part Number	Description
4.0		Metromaster Rear Cam Swing Doors
4.1	08705058	HINGE FLUSH MT LEAF W/ZIRC
4.2-96	02803003-CHART	CHART 96"W FULL SWING TEDLAR
4.2-102	02803004-CHART	CHART 102"W FULL SWING TEDLAR
4.3.1	05402142	SEAL DR DUAL DURO 9'
4.3.2	08210502	SEAL CORNER ANGLE 1/2"
4.3.3	08210501	SEAL OUTSIDE CORNER TAB
4.3.4	08210503	SEAL INSIDE CORNER TAB
4.4	08706122	KEEPERS C/LOCK
4.5.1	09801607	WIND 12 x 18 SOLID
4.5.2	09801608	RING TRIM 12 x 18
4.6.1	08770716	HOLDER PIPE
4.6.2	08770715	HOLDER PIPE
4.7	BSNR	BUSHING
4.8	08700300	SEAL PIN CAMLOCK HNDLE
4.9.1	08210003	PLUNGER-ZINC PLATED 3"
4.9.2	08610715	PLUNGER DOOR HOLDER 3.5"
4.9.3	08210045	PLUNGER DOOR HOLDER 4.5"LG
4.9.4	08210050	PLUNGER DOOR HOLDER 5.5"
4.9.5	08210004	SOCKET W/RUB.INSERT
4.10	08700302	RETAINER CAMLOCK HNDLE
4.11	BSNR	ROD
4.12	08703054	RETAINER T DOOR
4.NS	08706123	LOCK ROD ASSY LH KIT
4.NS	08706128	LOCK ROD ASSY RH KIT
4.NS	08706129	CAMLOCK LH 68" TUBE
4.NS	08706121	CAMLOCK RH 68" TUBE
4.NS	08700301	FASTNR KIT HANDLE CLIP
4.NS	08700309	KEEPER CAM
4.NS	087000301	SUPPORT DOOR CATCH ASY
4.NS	08700308	LOCK D/BOLT W/SAFTY LCK
4.Ref	57301168	DOOR ASSY & FRAME RH SIDE TRI-FOLD
		See also 57300391 for sidewall mounted swing doors.
		See also the <i>Utilimaster Quick Reference Parts Guide</i> .



4—Rear Swing Doors, Slam Lock



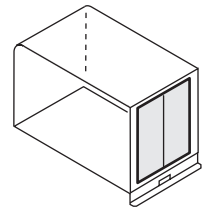
Rear Swing Doors, Slam Lock

Utilimaster, 65528 State Road 19, P.O. Box 585, Wakarusa, IN 46573-0585, U.S.A.

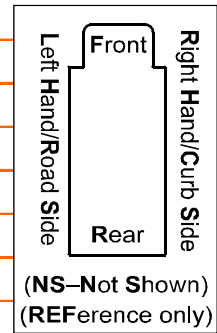
Email CustSvc@Utilimaster.com or Browse the web site www.utilimaster.com.

Call 800-237-7806 (or 574-862-3219) or Fax to 574-862-7637.

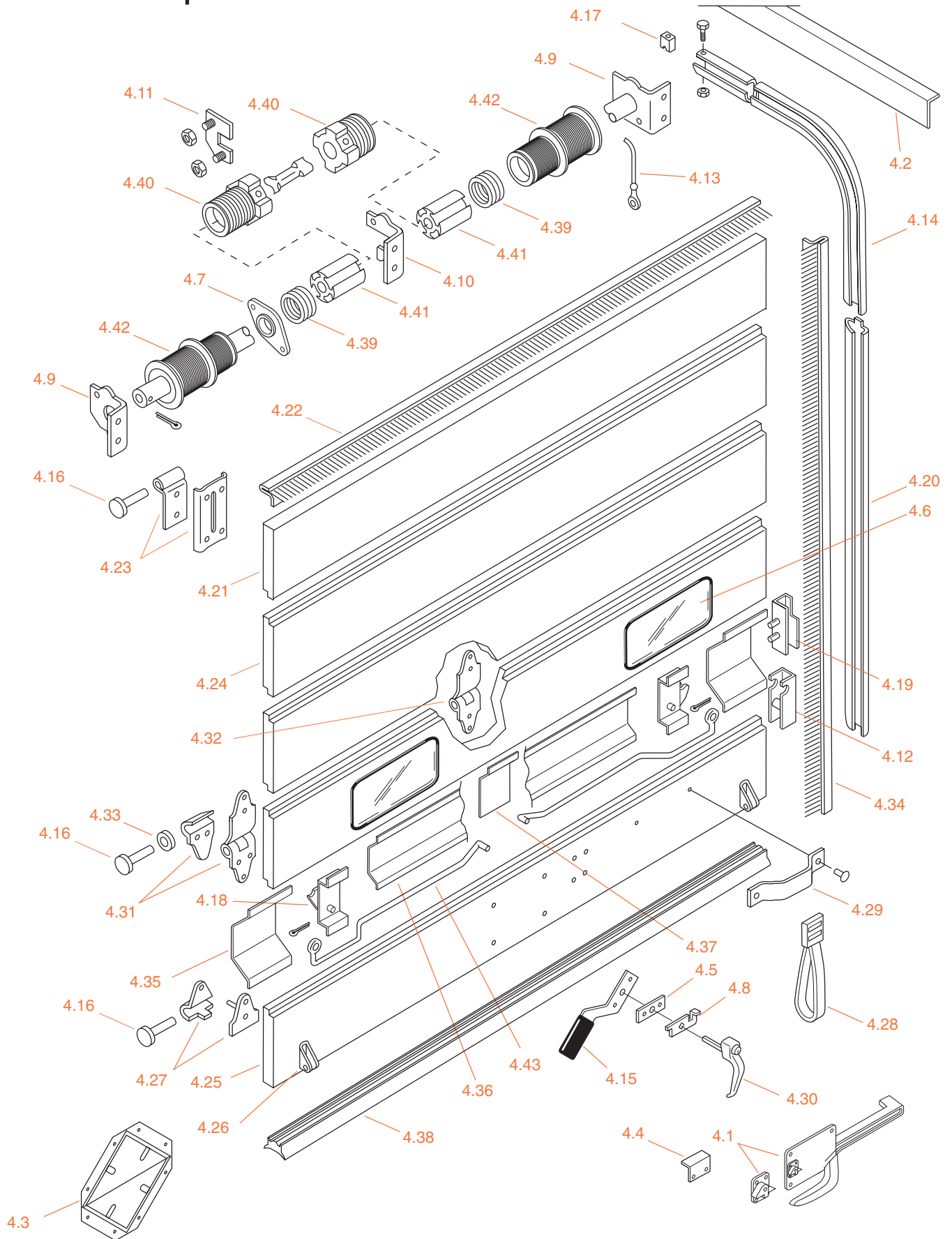
(See the Decoding Part Numbers section for Item, Part, and Description codes.)



Item	Part Number	Description
4.0		Metromaster Rear Trade Swing Doors
4.1	Part of Item 4.12	DEADBOLT SLAM LOCK
4.2	22819573	PLATE UPPER STRIKER
4.3	12300905	TAPE POLYFORM 3/16 x 1 x 50'
4.4	06000921-Length	AE IA 10153 PERIM DOOR RR SWG A
4.5	08705149	HINGE ALUM FLUSH W/ZERK NO/GST
4.6	08611051	LATCH FINGER PULL
4.7	08700303	CABLE LATCH RR DR
4.8	Parts Guide	HANDLE EXTR
4.9	BSNR	PANEL 5/8 FRP (Specify Size)
4.10	06000922-Length	AE IA 10154 PERIM DOOR RR SWG
4.11	Part of Item 4.12	HANDLE INTR
4.12	08780011	LATCH ASY SLAMLOCK (Includes Items 4.1 and 4.11)
4.13	22101157	PLATE LOWER DEADBOLT STRIKER
4.14.1	08611054	MALE DOOR HOLDER
4.14.2	08611055	DR HOLDER SOCKET
4.NS	08706002	HANDLE POLAR PADLOCK
4.Ref	55281013	STR RR LAYOUT WKASON & SWG DRS
See also the <i>Utilimaster Quick Reference Parts Guide</i> .		



4—Rear Roll-up Door



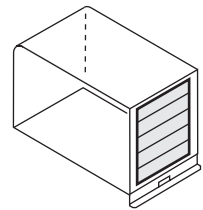
Rear Roll-up Door

Utilimaster, 65528 State Road 19, P.O. Box 585, Wakarusa, IN 46573-0585, U.S.A.

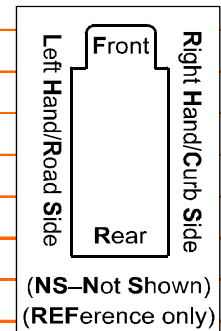
Email CustSvc@Utilimaster.com or Browse the web site www.utilimaster.com.

Call 800-237-7806 (or 574-862-3219) or Fax to 574-862-7637.

(See the Decoding Part Numbers section for Item, Part, and Description codes.)

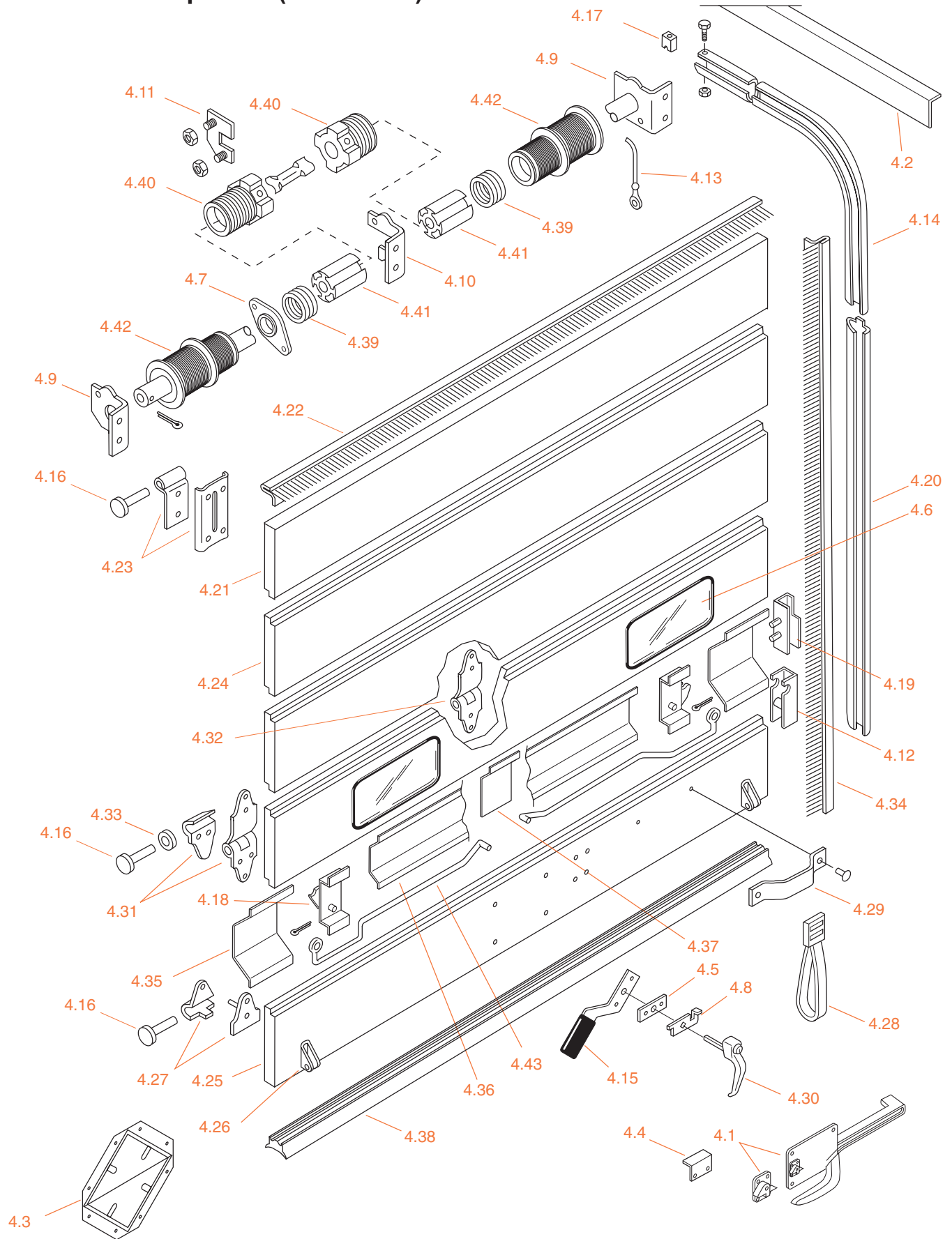


Item	Part Number	Description
4.0		Rear Roll-up Door
4.1	DSNR	MASTER SECURITY (BANANA) LOCK
4.2	DSNR	GUSSET RU DOOR
4.3.1	03101840	PLACARD HAZMAT SPLIT
4.3.2	03101864	PLACARD HAZMAT SPLIT
4.3.3	03101871	PLACARD HAZMAT SPLIT
4.3.4	03102464	PLACARD HAZ-MAT SPLIT
4.3.5	11401221	RIVET FW 3/16 x 1/4-1/2
4.4	Reference Only	CATCH MSL See Rear Structure Section
4.5	DSNR	BOTTOM PLATE
4.6.1	09080405	GLASS 8" x 19" x .219 RAD R-UP DOOR
4.6.2	09080444	GLASS 1/4 x 17-5/8 x 11-5/8 TMPRD
4.6.3	09801338	GLASS 9 x 22 x .219 RAD RU DR
4.6.4	20600021	WINDOW CUTOUT WITH GASKET
4.6.5	05705480	RUBBER RU DR WDO 9 x 22
4.7	DSNR	BEARING ASSY
4.8	DSNR	ACTUATOR
4.9 LH	DSNR	BALANCER BRACKET LH
4.9 RH	DSNR	BALANCER BRACKET RH
4.10	DSNR	BALANCER BRACKET CENTER
4.11	DSNR	BALANCER BRACKET CLAMP (CENTER)
4.12	DSNR	LATCH PLATE
4.13	DSNR	STAINLESS STEEL CABLE
4.14	DSNR	HORIZONTAL TRACK
4.15	DSNR	HANDLE, INTERIOR WITH PLASTIC GRIP
4.16.1	10997091	2" STEEL ROLLERS
4.16.2	Parts Guide	ROLLERS DOOR (Other)
4.17	DSNR	2" TRACK STOP BUMPER
4.18 LH	DSNR	LATCH ASSY LH
4.18 RH	DSNR	LATCH ASSY RH
4.19 LH	DSNR	LATCH PLATE MOUNT LH
4.19 RH	DSNR	LATCH PLATE MOUNT RH
4.20	DSNR	VERTICAL TRACK AND MOUNTING ANGLE
4.21	DSNR	TOP PANEL ASSY



Continued

4—Rear Roll-up Door (Continued)



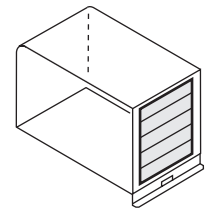
Rear Roll-up Door

Utilimaster, 65528 State Road 19, P.O. Box 585, Wakarusa, IN 46573-0585, U.S.A.

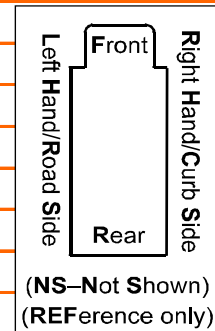
Email CustSvc@Utilimaster.com or Browse the web site www.utilimaster.com.

Call 800-237-7806 (or 574-862-3219) or Fax to 574-862-7637.

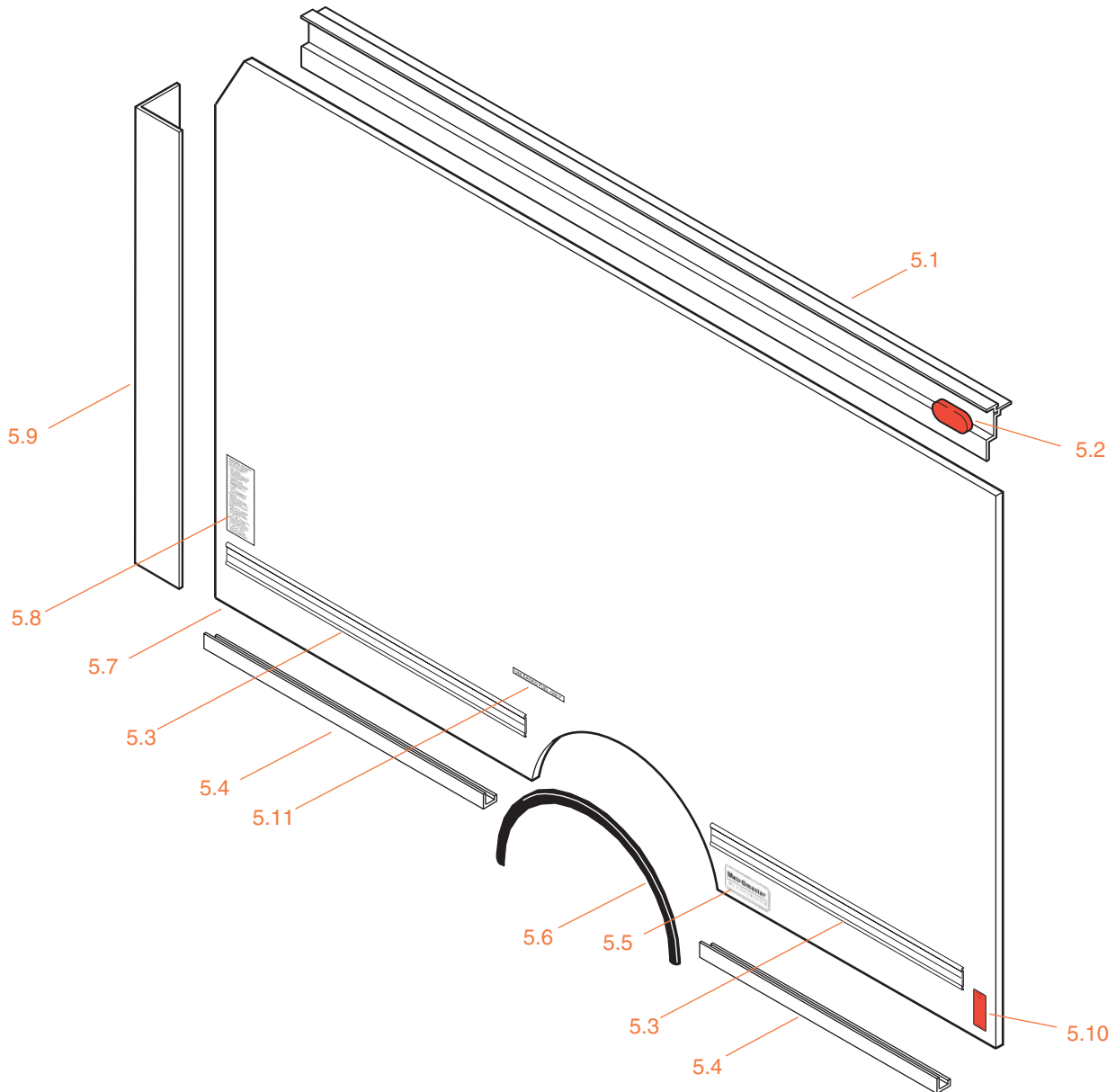
(See the Decoding Part Numbers section for Item, Part, and Description codes.)



Item	Part Number	Description
4.22	DSNR	DOOR TOP BRUSH SEAL
4.23	DSNR	TOP CLOSURE ASSEMBLY
4.24	DSNR	INTERMEDIATE PANEL
4.25	DSNR	BOTTOM PANEL ASSEMBLY
4.26	DSNR	CABLE ANCHORS
4.27	DSNR	BOTTOM ROLLER BRACKET ASSEMBLY
4.28	DSNR	PULL STRAP
4.29	DSNR	GRAB HANDLE
4.30	DSNR	HANDLE, EXTERIOR
4.31.0	DSNR	ROLLER HINGE ASSEMBLY
4.31.1	DSNR	GASKET, ROLLER HINGE
4.32.0	DSNR	CENTER HINGE
4.32.1	DSNR	GASKET, ROLLER HINGE
4.33	DSNR	SPACER, WASHER (FOR ROLLERS)
4.34	DSNR	SIDE BRUSH SEAL
4.35	DSNR	LATCH COVER
4.36	DSNR	COVER ASSY, LOCK PANEL
4.37	DSNR	PLATE ASSY
4.38	DSNR	LOWER DOOR SEAL
4.39	DSNR	TORSION SPRING WOUND
4.40	DSNR	WINDING PLUG
4.41	DSNR	SPRING SPACER ANCOR PLUG
4.42	DSNR	WINDING CONE CABLE DRUM
4.43	DSNR	LOCK ROD
4.NS	10997310	QUICK RELEASE MECHANISM
4.NS	10997311	SAFETY CABLE QUICK RELEASE MECHANISM
4.Ref	57301105	ROLL-UP DOOR TRACK INSTL HORIZONTAL
	See also the <i>Rear Structure</i> Section.	
	See also the <i>Utilimaster Quick Reference Parts Guide</i> .	



5—Sidewalls



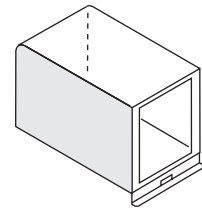
Sidewalls

Utilimaster, 65528 State Road 19, P.O. Box 585, Wakarusa, IN 46573-0585, U.S.A.

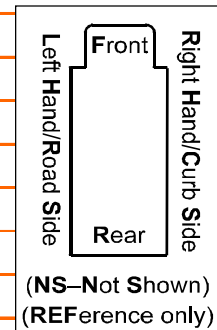
Email CustSvc@Utilimaster.com or Browse the web site www.utilimaster.com.

Call 800-237-7806 (or 574-862-3219) or Fax to 574-862-7637.

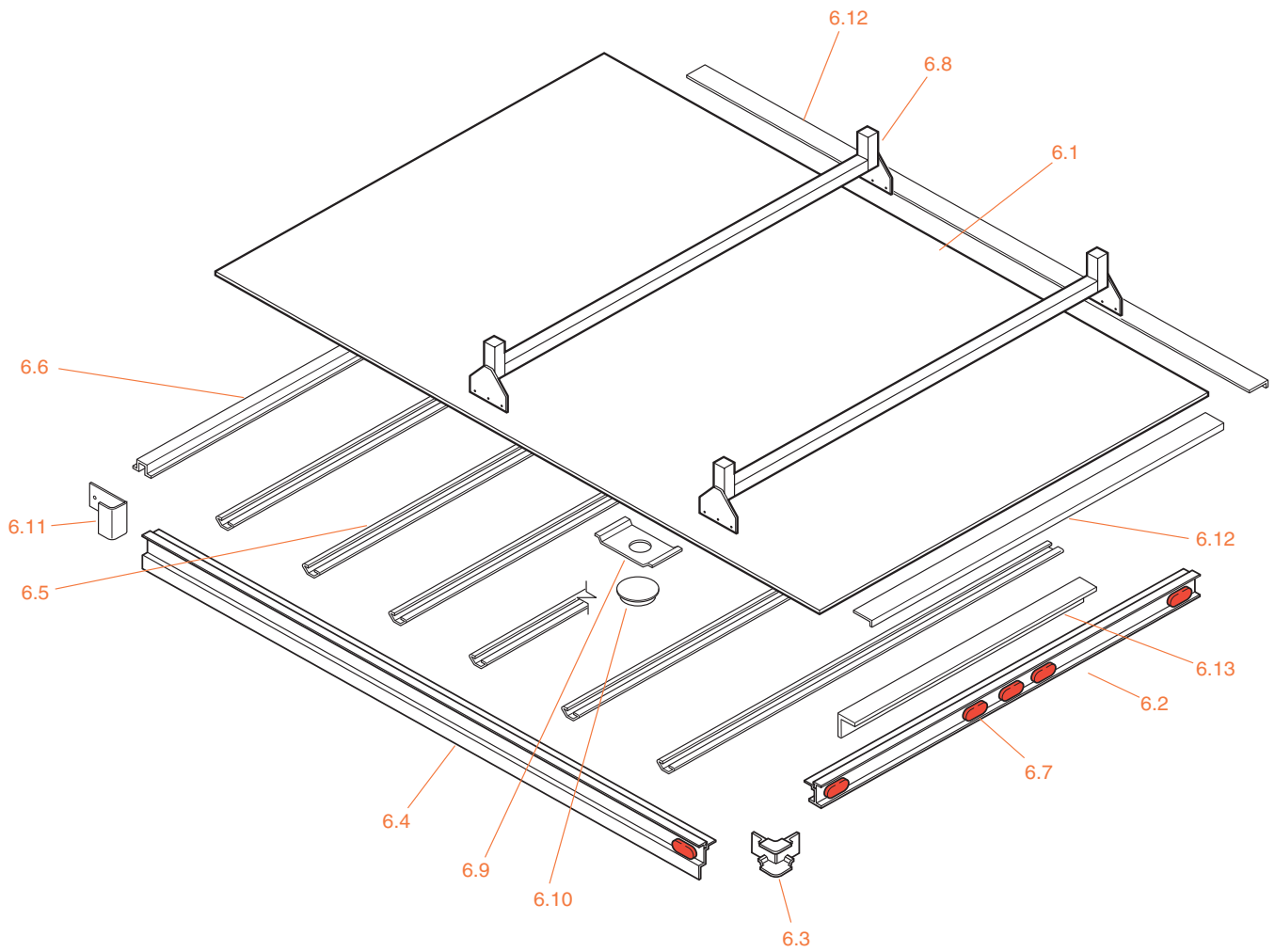
(See the Decoding Part Numbers section for Item, Part, and Description codes.)



Item	Part Number	Description
5.0		Metromaster Sidewalls
5.1	06000846-Length	IA9401 ROOF RAIL 06000846
5.2	See Electrical Section	LIGHT RED
5.3	06013047-Length	IA4741 RAIL 06013047
5.4	06013170-Length	IA5488 3/8" PNL CAP 06013170
5.5	03102606	DECAL 4.5 x 9.5 METROMASTER BY UTMSTR
5.6	01303592	RUBBER FENDER MOLDING
5.7	BSNR	FRP SIDEWALL PANEL
5.8	03000855	DECAL MAINTENANCE TRUCK BODY
5.9 LH	06924715	ANGLE FRT CORNER L/H .125 x 2 x 2 x 88.09
5.9 RH	06924716	ANGLE FRT CORNER R/H .125 x 2 x 2 x 88.09
5.10	15200498	REFLECTOR RED TAPE
5.11-D1	03000824	DECAL DIESEL FUEL ONLY
5.11-D2	01400004	DIESEL FUEL GAL/LTD
5.11-G1	03000607	DECAL UNLEADED FUEL ONLY
5.NS	12605952	SIKAFLEX 227 GRAY ALUM
5.NS	12605987	MANUS SL BRITE WHT ADHESIVE
5.Ref	64311001	FUEL FILL CUTOUT LOC METROMASTER
5.Ref	53311004	SIDEWALL ASSY METRO-MASTER
5.Ref	53311005	SIDEWALL ASSY R/H 12' METRO-MASTER
5.Ref	02805131	SIDEWALL WHEELWELL CUTOUT REF
5.Ref	64351009	TRADEMASTER LOGO LOCATIONS



6—Roof Assembly



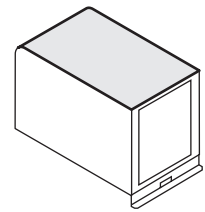
Roof Assembly

Utilimaster, 65528 State Road 19, P.O. Box 585, Wakarusa, IN 46573-0585, U.S.A.

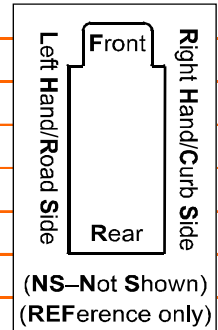
Email CustSvc@Utilimaster.com or Browse the web site www.utilimaster.com.

Call 800-237-7806 (or 574-862-3219) or Fax to 574-862-7637.

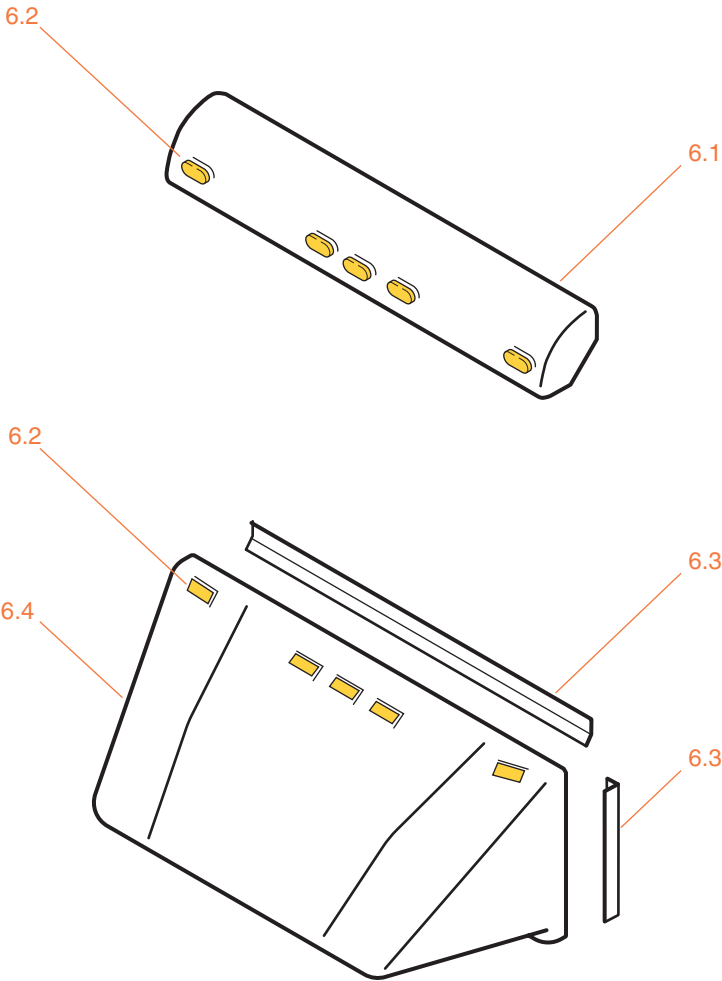
(See the Decoding Part Numbers section for Item, Part, and Description codes.)



Item	Part Number	Description
6.0		Metromaster Roof
6.1-A	06402104-Length	ALUM COIL .032 x 96W .456 (Specify Length)
6.1-T	01903258	KEMLITE .060 x 79.12 x 148.75
6.2	06000845-Length	IA9400 RR ROOF RAIL 06000845
6.3	06800029	CASTING REAR CORNER FRP
6.4	06000846-Length	IA9401 ROOF RAIL 06000846
6.5-76	22819621-Chart	ROOF BOW ANTI-SNAG 1" OFFSET CHART
6.6-76	22816014	ROOF BOW FRONT 76.38
6.7	See Electrical Section	CLEARANCE AND ID LIGHTS
6.8	06922810	WELDMENT LADDER RACK 80"W
6.9	06600675	PLATE LIGHT MNTG .100 x 9 x 25
6.10.1	15202125	LIGHT-COMBO W/CLEAR
6.10.2	15202126	LIGHT KD12V CARGO
6.10.3	15202111	LIGHT CLEAR
6.11 LH	06916727	PLUG ROOF RAIL F/GLASS CAP LH
6.11 RH	06916731	PLUG ROOF RAIL F/GLASS CAP RH
6.12	06013008-Length	IA4161 ANGLE 06013008
6.13	06923447	ANGLE .063 ALUM x 1.12 x 1.5 x 88.50
6.NS	12300841	TAPE ALUMI WRAP 4" x 50'
6.NS	12400712	SIKAFLEX ALUM 11FLOZ
6.NS	12605952	SEALANT GRAY ALUM
6.NS	12301751	TAPE GREY BUTYL 1/16 x 1-1/2 50'
6.Ref	56311003	ROOF ASY 12' x 80"W METRO-MASTER



6—Roof Front Caps



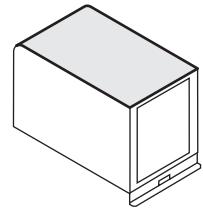
Roof Front Caps

Utilimaster, 65528 State Road 19, P.O. Box 585, Wakarusa, IN 46573-0585, U.S.A.

Email CustSvc@Utilimaster.com or Browse the web site www.utilimaster.com.

Call 800-237-7806 (or 574-862-3219) or Fax to 574-862-7637.

(See the Decoding Part Numbers section for Item, Part, and Description codes.)



Item	Part Number	Description
6.0		FRONT FIBERGLASS CAPS
6.1	20510701	CAP FIBERGLASS 5" RADIUS WHITE 80W
6.2	16513198	TWIST-IN SOCKET PIGTAIL AERO
6.3	06002025-Length	ANGLE ALUM .75 x 1.25 IA1999
6.4 FD	01903277	AEROCAP FD METROMASTER 78"
6.4 GM	01903276	AEROCAP GM METROMASTER 78"
6.NS	11600127	SLEEVE WIDE BEARING
6.NS	See Chart Below	FRONT NOSE CONE
	See also Aerocap Headliner section.	

Left Hand/Road Side

Front

Rear

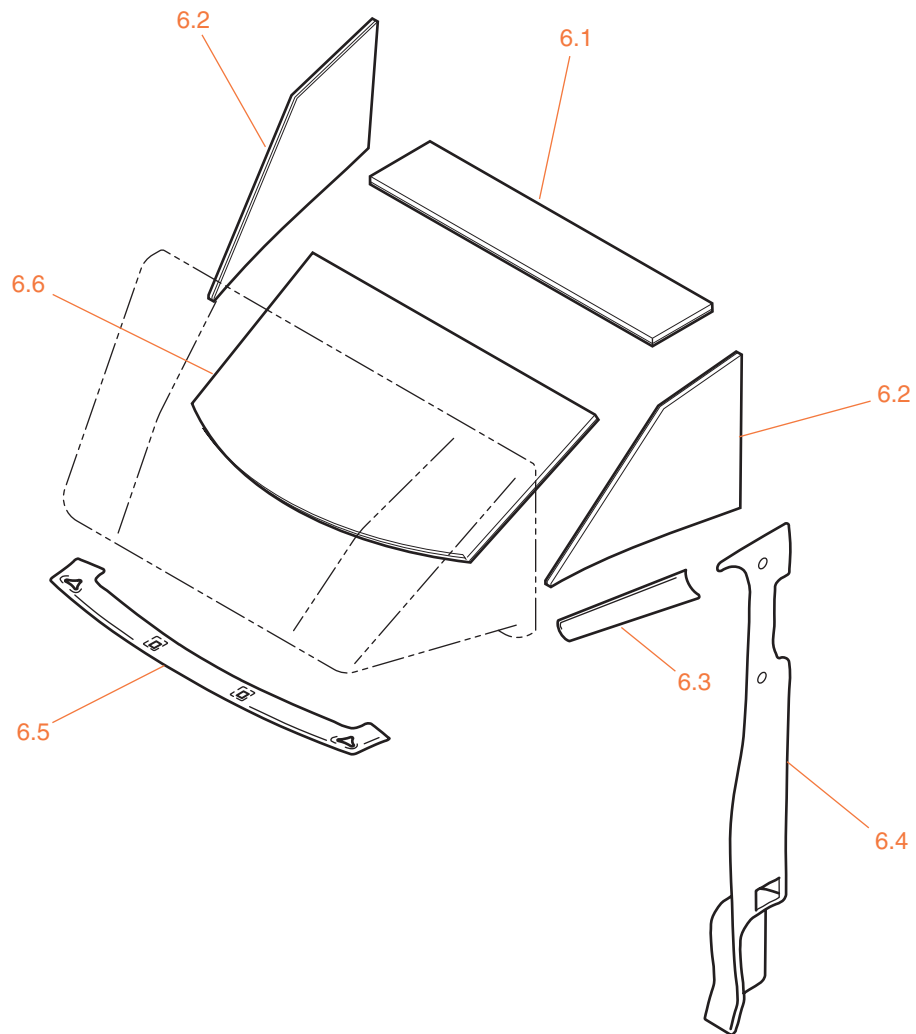
Right Hand/Curb Side

(NS—Not Shown)
(REFerence only)

Nose Cone Chart (64300493)

APPENDIX 64300493: NOSE CONE CHART			
Part Number	Unit Width	Nose Width	Cone Height
01901396	96.00	79.00	26.00
01901677	96.00	79.00	33.75
01900495	96.00	80.75	35.75
01903536	96.00	80.75	41.00
01901648	96.00	79.00	44.00
01900493	96.00	80.75	46.00
01901665	96.00	81.50	54.75
01903538	102.00	86.00	26.00
01900663	102.00	86.00	35.75
01903537	102.00	86.00	41.00
01900496	102.00	86.00	46.00
01900581	102.00	86.00	54.75

6—Aerocap Headliner



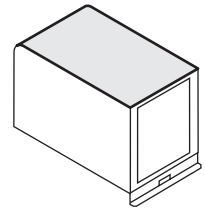
Aerocap Headliner

Utilimaster, 65528 State Road 19, P.O. Box 585, Wakarusa, IN 46573-0585, U.S.A.

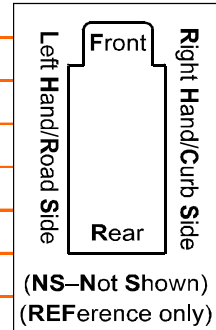
Email CustSvc@Utilimaster.com or Browse the web site www.utilimaster.com.

Call 800-237-7806 (or 574-862-3219) or Fax to 574-862-7637.

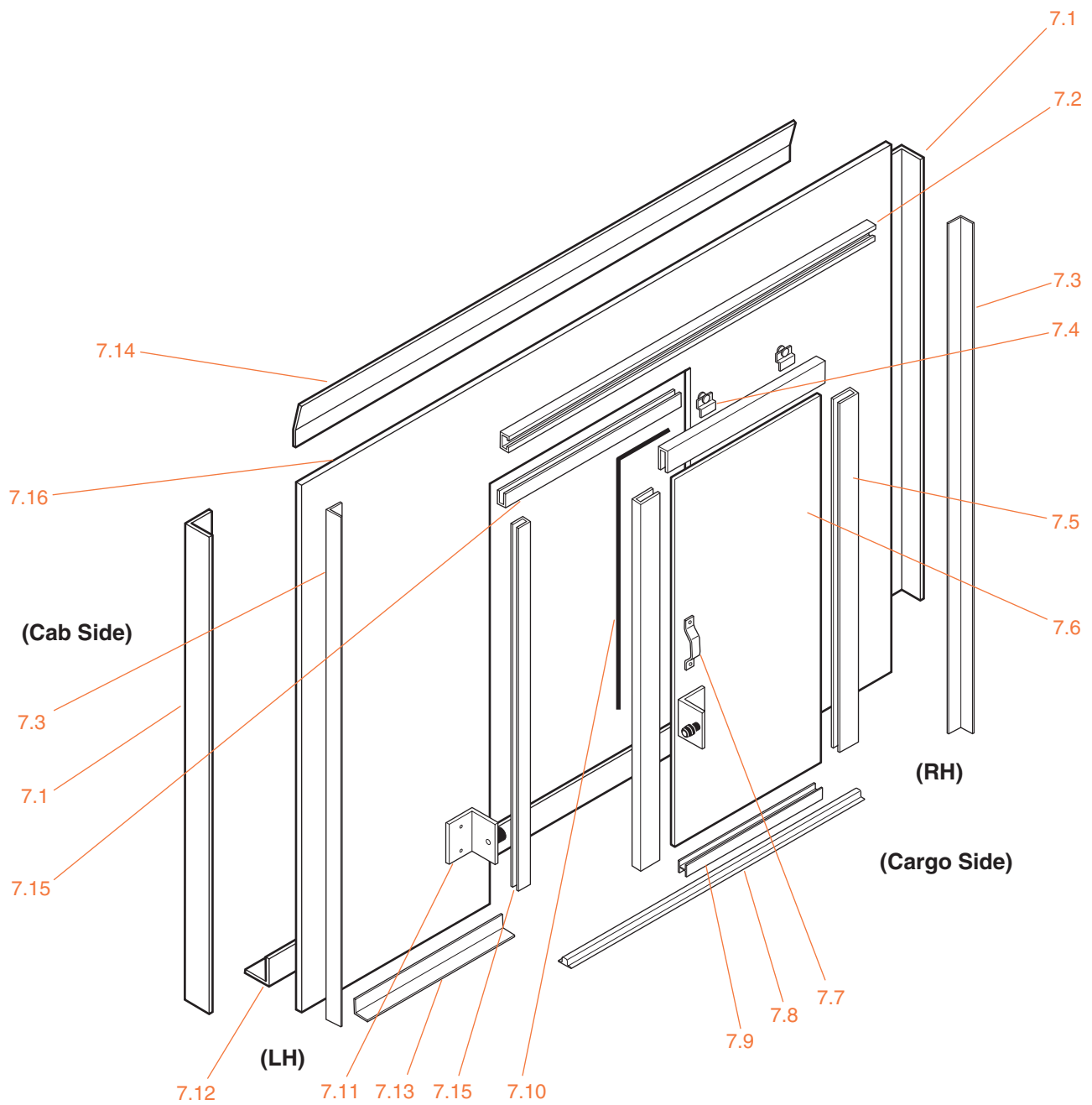
(See the Decoding Part Numbers section for Item, Part, and Description codes.)



Item	Part Number	Description
6.0		Aerocap Headliners
6.1 GM	05705682	INT HEADLNR UPR AERO GM
6.1 FD	05705700	INT HEADLNR UPR AERO FORD
6.2 FD LH	05705699	TRIM INT LINER LH AEROCAP FORD
6.2 FD RH	05705698	TRIM INT LINER RH AEROCAP FORD
6.2 GM LH	05705680	TRIM INT LINR LH TRDMSTR AERO GM
6.2 GM RH	05705681	TRIM INT LINR RH TRDMSTR AERO GM
6.3	Chassis Supplied	TRIM INT DR HEADER
6.4 GM	Chassis Supplied	TRIM INT B-PILLAR GM
6.4 FD LH	05705486	TRIM INT B-PILLAR FD LH
6.4 FD RH	05705487	TRIM INT B-PILLAR FD RH
6.5	05705490	TRIM CAB ABS HEADER GM CUT AEROCAP
6.6 FD	05705697	TRIM INT LINER HEAD AEROCAP FORD
6.6 GM	05705679	TRIM INT LINER HEAD AEROCAP GM
6.NS	08611187	BUTTONS AEROCAP NEW FABRIC
6.NS	08501614	STUD LOW BASE
6.NS	05705488	TRIM INT ROOF FD
6.NS	02100098	LUAN 5/32 48 x 96 3.6
6.NS	14200939	FABRIC MED DILOUR MED GRY
6.Ref	05705489	TRIM CAB ABS FORMED SET '97 FD (Includes 05705486,05705487,and 05705488)



7—Front and Midship Wall, with Sliding Door



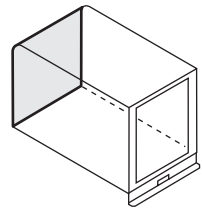
Front and Midship Wall, with Sliding Door

Utilimaster, 65528 State Road 19, P.O. Box 585, Wakarusa, IN 46573-0585, U.S.A.

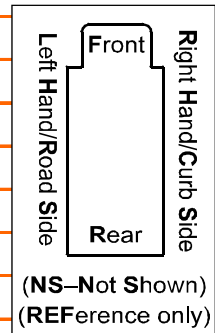
Email CustSvc@Utilimaster.com or Browse the web site www.utilimaster.com.

Call 800-237-7806 (or 574-862-3219) or Fax to 574-862-7637.

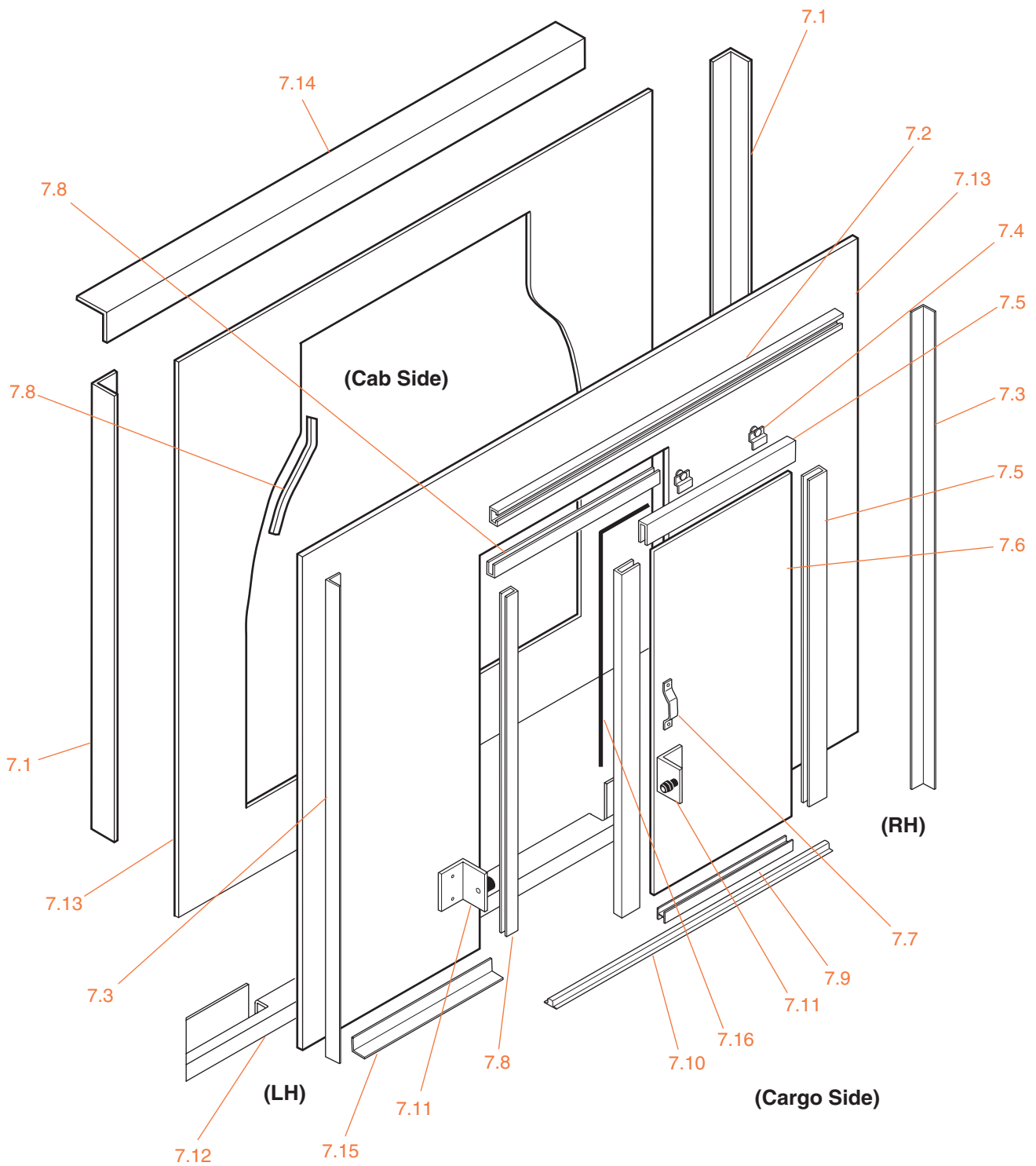
(See the Decoding Part Numbers section for Item, Part, and Description codes.)



Item	Part Number	Description
7.0		FRP Front Wall, Std (GM Style)
7.1 LH	06924715	ANGLE FRT CORNER LH .125 x 2.5 x 2.5 x 88.09
7.1 RH	06924716	ANGLE FRT CORNER RH .125 x 2.5 x 2.5 x 88.09
7.2	08220020	TRACK DOOR UPPER 57-3/8
7.3	06914626	ANGLE BH MNT .100 x 1.5 x 1.5 x 75.0
7.4	08220102	HANGER B/H SLDR DR ECON
7.5	06000359	AE B/H DOOR W/SEAL
7.6	BSNR	PANEL DOOR FRP
7.7	08610122	HANDLE DOOR
7.8	06000270-04800	IA7467 GUIDE 48.00 06000270
7.9	06013110-Length	IA5129 "I"-TRK 06013110
7.10	12300602	SEAL BLACK BULB (B/H)
7.11.1	08611172	DOOR HOLDER HARD W/MALE PLUG
7.11.2	06910943	BRKT DR STOP WITH/HOLES 06002047
7.12.1	06918992	CAP FLOOR FRONT WW GMT600 TB
7.12.2	06926419	FLOOR CAP .063 x 1.62 x 77.00 METROMSTR
7.13	06923638	ANGLE BHD MOUNTING .125 x 2 x 2 x 36.63
7.14	06919083	CLOSEOUT WIRE 4.5 x 85.62
7.15	05705636	TRIM PLASTIC U-CHNL 7/16" x 14' x 731S
7.16	BSNR	FRP PANEL FRT WALL
7.NS	05001605	REVERSE COVE 1-1/2 FW
7.NS	12301749	TAPE BLACK RBR 1/16 x 1"
7.NS	12301751	TAPE GREY BUTYL 1/16 x 1-1/2 50'



7—Front and Midship Wall, Aerocap with Sliding Door



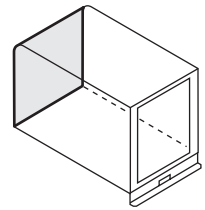
Front and Midship Wall, Aerocap with Sliding Door

Utilimaster, 65528 State Road 19, P.O. Box 585, Wakarusa, IN 46573-0585, U.S.A.

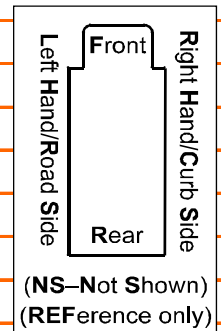
Email CustSvc@Utilimaster.com or Browse the web site www.utilimaster.com.

Call 800-237-7806 (or 574-862-3219) or Fax to 574-862-7637.

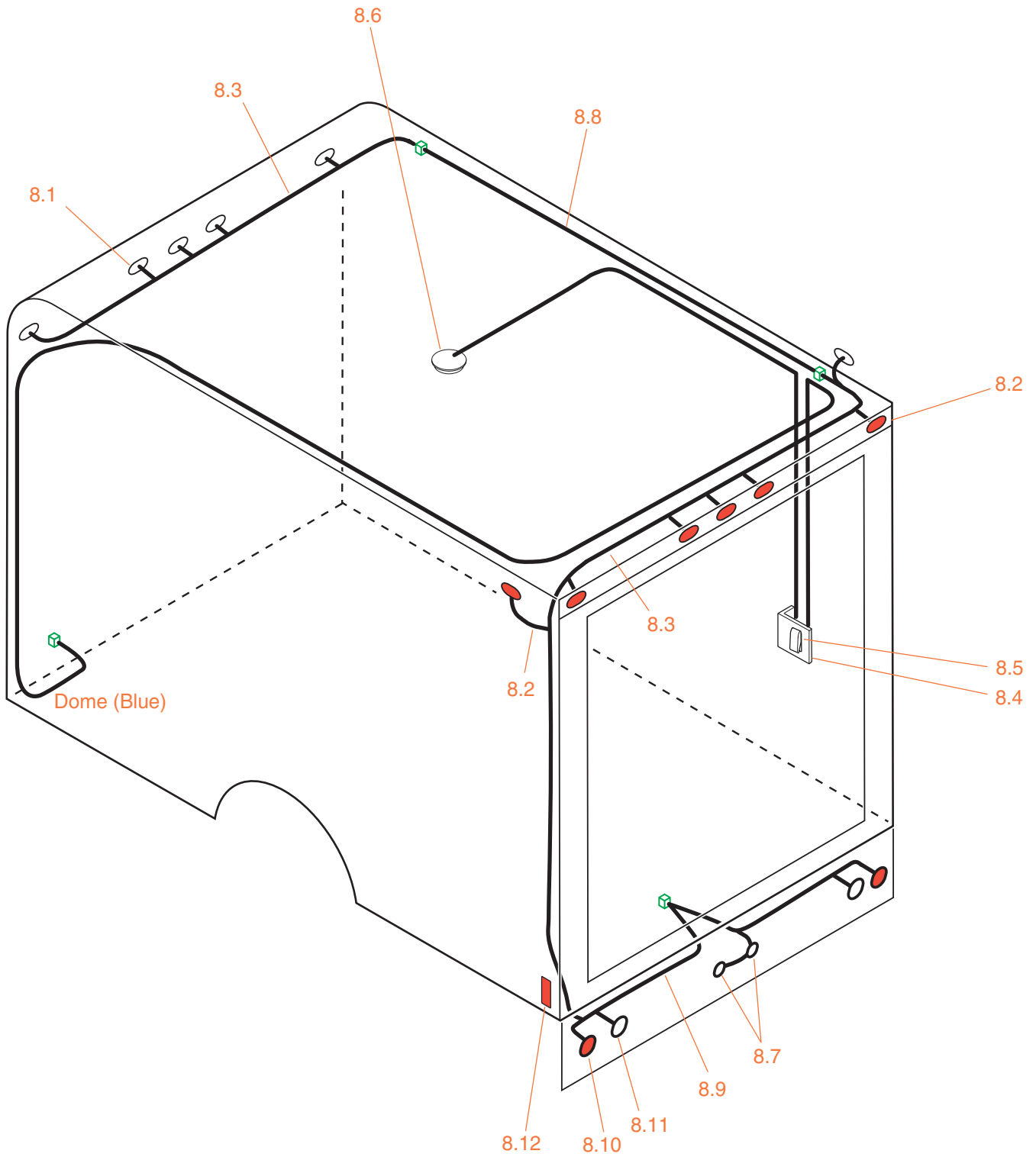
(See the Decoding Part Numbers section for Item, Part, and Description codes.)



Item	Part Number	Description
7.0		FRP Front Wall, Aerocap
7.1 LH	06924715	ANGLE FRT CORNER L/H .125 x 2 x 2 x 88.09
7.1 RH	06924716	ANGLE FRT CORNER R/H .125 x 2 x 2 x 88.09
7.2	08220020	TRACK DOOR UPPER 57-3/8
7.3	06923638	ANGLE BHD MOUNTING .125 x 2 x 2 x 36.63
7.4	08220102	HANGER B/H SLDR DR ECON
7.5	06000359-Length	IA7246 BH W/SEAL 06000359
7.6	BSNR	FRP 3/8 BLHD DOOR
7.7	08610122	HANDLE DOOR
7.8	05705636	TRIM PLASTIC U-CHNL 7/16" x 14'
7.9	06013110-Length	IA5129 "I"-TRK 06013110
7.10	06000270-04800	IA7467 GUIDE 48.00 06000270
7.11.1	06910943	BRKT DR STOP WITH/HOLES 06002047
7.11.2	08611172	DOOR HOLDER HARD W/MALE PLUG
7.12	06926419	FLOOR CAP .063 x 1.62 x 77.00 METROMSTR
7.13	BSNR	FRP M/SHIP WALL AERO 3/8"
7.14	06923867	"U" B/HEAD ATTACH N/B AERO 77.50"
7.15	06923638	ANGLE BHD MOUNTING .125 x 2 x 2 x 36.63
7.16	12300602	SEAL BLACK BULB (B/H)
7.NS	05001605	REVERSE COVE 1-1/2 FW
7.NS	06922823	"Z" BULKHEAD ATTACHMENT 78 x 4.5
7.Ref	54351004	BULKHEAD WALL ASSY
7.Ref	57351027	DOOR ASSY SLDG B/HD 1/2" x 26 x 66



8—Electrical Harnesses



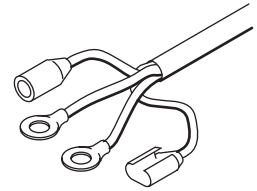
Electrical Harnesses

Utilimaster, 65528 State Road 19, P.O. Box 585, Wakarusa, IN 46573-0585, U.S.A.

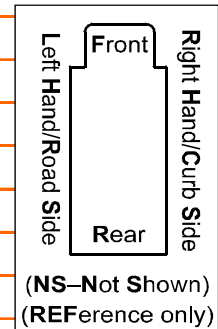
Email CustSvc@Utilimaster.com or Browse the web site www.utilimaster.com.

Call 800-237-7806 (or 574-862-3219) or Fax to 574-862-7637.

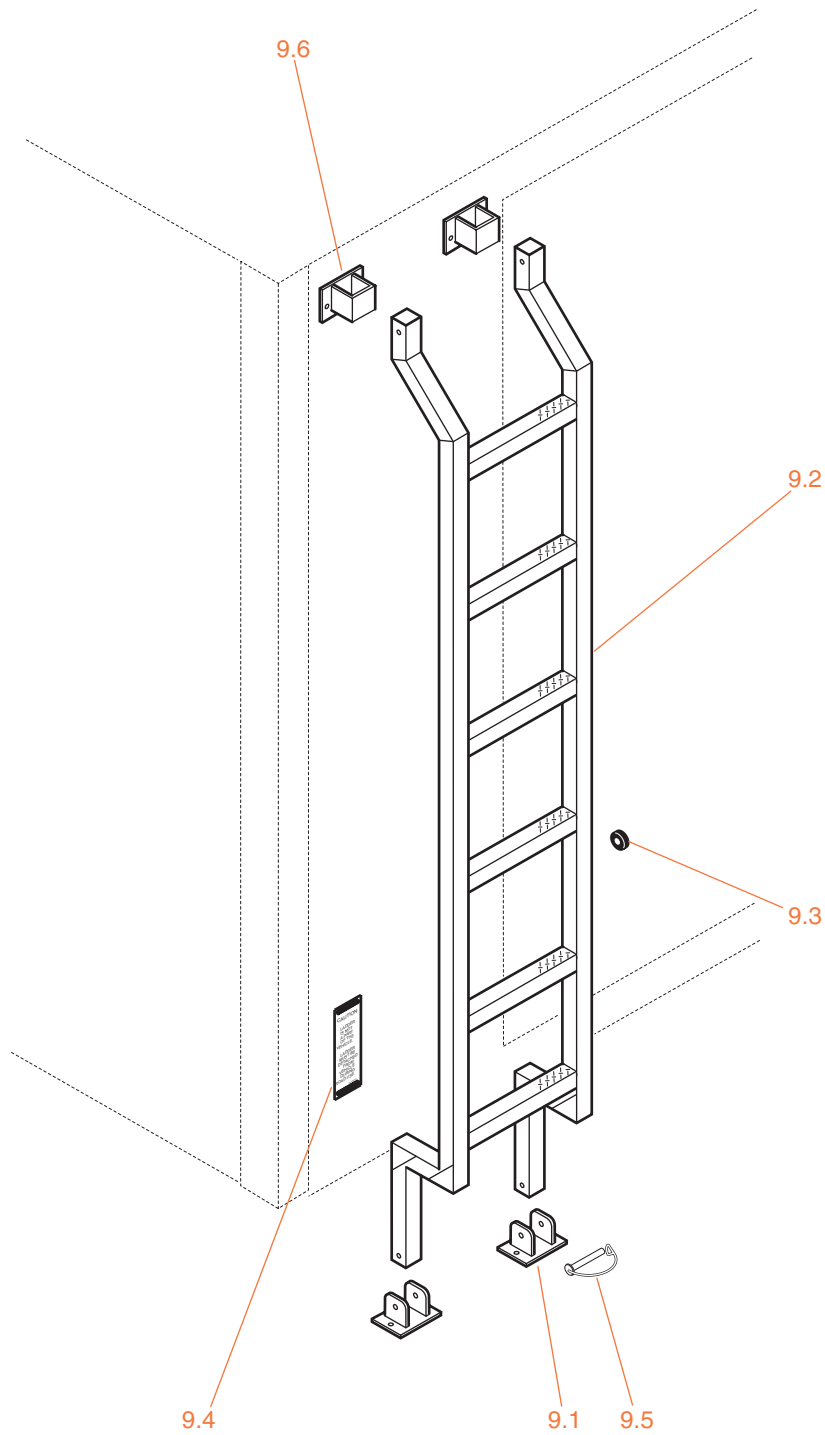
(See the Decoding Part Numbers section for Item, Part, and Description codes.)



Item	Part Number	Description
8.0		Metromaster Electrical Wiring Layout
8.1.1	16513197	FLUSH MOUNT CAB MARKER LAMP (Amber)
8.1.2	16513198	TWIST-IN SOCKET PIGTAIL AEROCAP (Only)
8.2L	16513066	LENS OVAL CLR/MKR RED (Lens Only)
8.2B	16513068	LAMP BASE CLR/MKR W/PTAIL (Base Only)
8.3	16512637	HARNESS CLEARANCE LIGHTS
8.4	06922959	BRACKET LIGHT SWITCH .063 ALUM
8.5.1	16511544	SWITCH RCKR LITED
8.5.2	16000048	SWITCH 3-WAY CONCEPT
8.6.1	15202125	LIGHT-COMBO W/CLEAR
8.6.2	15202126	LIGHT KD12V CARGO
8.7	16500153	LIGHT LICENSE PLATE
8.8 LH	16512639	HARNESS LH CLEARANCE LIGHTS 142
8.8 RH	16512638	HARNESS RH CLEARANCE LIGHTS 192
8.9 GM	16513423	WIRING HARNESS (GM)
8.9.1 FD	16400381	** WIRE HARNESS 10'-16' FORD '92 PDV
8.9.2 FD	16513854	HARNESS TAILLIGHT FORD CUT
8.9.3 FD	16513418	** HARNESS WIRE 10'-14'
8.9.4 FD	16513853	HARNESS TAILLIGHT FORD CUTAWAY
8.10	15202114	LIGHT TAIL W/GRND
8.11	15202115	LIGHT B/UP W/GRD
8.12	15200498	REFLECTOR RED TAPE
8.NS	16500071	BUSHING SNAP 1/2"
8.NS	16500073	BUSHING SNAP 7/8"
8.NS	16602400	CLAMP "P" 1" PLASTIC
8.NS	16602350	CLAMP "P" 1/2" PLASTIC
8.NS	16510019	CONDUIT PLASTIC 3/8" SLIT
8.NS	16101122	FUSE 15 AMP ATC15
8.NS	16512650	INLINE FUSE HOLDER 15 AMP
8.NS	16512507	WIRE CLIP W/ADH
8.Ref	16512131	WIRING MODIFICATION GMT600
8.Ref	16513057	WIRING LAYOUT ROOF SHORT CUTAWAY
8.Ref	58301002	CAB WIRING GM CUTAWAY 03
See also the <i>Utilimaster Quick Reference Parts Guide</i> .		



9—Options, Roof Ladder



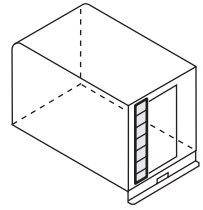
Options, Roof Ladder

Utilimaster, 65528 State Road 19, P.O. Box 585, Wakarusa, IN 46573-0585, U.S.A.

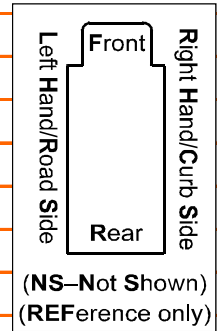
Email CustSvc@Utilimaster.com or Browse the web site www.utilimaster.com.

Call 800-237-7806 (or 574-862-3219) or Fax to 574-862-7637.

(See the Decoding Part Numbers section for Item, Part, and Description codes.)



Item	Part Number	Description
9.0	MM146-E	METROMASTER REMOVABLE REAR ACCESS LADDER 6'6"
9.1	01903283	BRKT LADDER TOP MNTG WLD ALUM .188
9.2	64211028-07800	LADDER ALUM ACCESS 16" W x 80.00
9.3	05705473	RUBBER BMPR 1.5 DIA x .625
9.4	03102615	DECAL TM LADDER REMOVAL CAUTION
9.5	08611079	SNAP PIN 5/16 x 2.50
9.6	01903281	BRACKET LADDER MOUNTING WLD MNT BTM
9.Ref	55211022	CHART REAR LADDER ACCESS ASSEMBLY





A

Address

- National Highway Traffic Safety Administration 12
- Transport Canada 12
- U.S. Department of Transportation 12
- Utilimaster
 - Customer service 13
 - Parts department 9
 - Publications department 3
 - Warranty department 11

Aerocap 34

Appendixes 7

B

Body serial number 8

BSNR 7

Bumpers 16

C

Chart 7. *See also* Appendixes

Crossmembers 14

Customer service 9

D

Door

- Bulkhead 38, 40
- Entry 22
- Hardware 13, 22, 38, 40
- Mid-ship wall 38, 40
- Rear roll-up 26
- Rear swing 22, 24

E

Electrical components 13

Electrical harnesses 42

Electrical system 42

Email 9, 11, 13

F

Federal Certification Label 8

Floor, cargo 14

Forms 9, 11

Front sheet radius 34

Front wall

Front sheet radius 34

Sliding door 38, 40

G

Glossary of terms 13

Grab handles 18, 20

H

Harnesses, electrical 42

Hazardous material placard 26

Header, rear 18, 20

I

Item numbers 6

L

Ladder 44

Lights 16, 30, 32, 34, 42. *See also*
Quick Reference Parts Guide

M

Mid-ship wall 38, 40

Mud flaps 13

N

Nose cones 35

Numbers

Item 6

Part 6

Phone 9, 11, 12, 13

Unit serial 8

VIN 8

Work order 8

P

Parts

Guide 13

Lists 14

Numbers 6

Order form 10

Ordering 9

Returns 9

Phone numbers

Customer service 9, 13

NHTSA 12

Transport Canada 12

Warranty claims (fax) 11

Placard, hazardous material 26

R

Racks 32

Rear

Corner post 18, 20

Roll-up door 26

Structure 18, 20

Swing doors 24

Revision 3

Roof 32, 34

Roof ladder 44

S

Safety defects, reporting 12

Serial number 8

Service manual 13

Sidewalls 30

Subframe 14

Switches 42

T

Treadplate 14

U

Unit serial number 8

Utilimaster Body Service Manual 13

Utilimaster Customer Service
11, 13

Utilimaster Glossary of Terms 13

Utilimaster Quick Reference Parts
Guide 13

V

VIN 8

W

Warranty claims 11

Web site 3, 9, 11, 13

Wheel well trim 30

Windows 13, 26

Wiring. See Electrical harnesses

Work order number 8

Notes



Part Number: 03102391-PY03EN

©Utilimaster Corporation, 65906 State Road 19, P.O. Box 585, Wakarusa, Indiana, 46573-0585, USA
