



Body Parts Manual



Aeromaster on Workhorse Chassis

Read First: Top Tips on Using This Online Manual

Browse pages with Bookmarks (hyperlinks) or Thumbnails

Bookmarks, at the left of the screen, are hyperlinks to document pages. From any page in this document, you can use bookmarks to jump to any section heading.

To jump to a topic by using its bookmark, point to the bookmark name, and when the arrow becomes a pointing hand, click on the name. If a triangle (or + sign) appears to the left of the bookmark, click the triangle (or + sign) to show or hide subordinate bookmarks.

Thumbnails are visual icons of the actual pages. After selecting the thumbnail view button (Acrobat Reader ver. 3.0) or tab (ver. 4.0), you can quickly browse for parts sections just by the “look” of the page. Click on the appropriate thumbnail to view that page.

Use the Zoom and Fit tools for magnification of page sections

Select the Zoom tool. **(In ver. 4.0, when the Hand tool is selected, you can temporarily change to the Zoom tool by holding down the Ctrl key and the space bar at the same time.)** Click and drag to draw a rectangle around the area you want to magnify.

To return to an overview, you can click on one of the following buttons:

- The Fit Page button scales the *entire* page to display within the main window.
- The Fit Width button scales the page *width* to display within the main window.

Use the Text tool for copying selected text into other applications

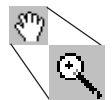
You can select text in a PDF document, copy it to the Clipboard, and paste it into another application. **By pasting parts descriptions and numbers into your email, you can order parts much faster than through phoning or faxing.** To select text and copy it to the Clipboard:

1. Click the Text Selection tool.
2. Click and drag over the text you want to select. When you release the mouse button, the selected text stays highlighted.
3. Hold down the Ctrl key and press C on the keyboard to copy the selected text to the Clipboard.

Find parts or procedures with the Find tool

Use the Find tool to search for a fragment of a word, a complete word, or multiple words in the active document. To **find** a word (e.g., a part name):

1. Click the Find tool.
2. In the Find What text box, enter the text to be found and click Find. When the program finds the text, the Find dialog box closes and the page containing the text is displayed with the text highlighted.
3. To find the **next occurrence** of the word, press F3, press Ctrl + G, or reopen the Find dialog box and click Find Again.



Revision Control

Revision

Rev. A

Print Date

April 2003

Important Notices

©2003, Utilimaster.®

Printed in U.S.A.

Title: *Aeromaster on Workhorse Chassis—Body Parts Manual*

Utilimaster Corporation attempts to provide information that is accurate, complete, and useful. All information contained in this manual is based on the latest product information available at the time of publication. However, because of the Utilimaster policy of continual product improvement, Utilimaster reserves the right to amend the information in this document at any time without prior notice. Should you find inadequacies in the text, please send your comments to the following address:

Utilimaster
Attn: Designer of Technical Publications
65906 State Road 19, P.O. Box 585
Wakarusa, Indiana, 46573-0585, U.S.A.

NOTE: When phoning Utilimaster, be aware that our 219 telephone area code changed to 574 in January 2002. The 800 numbers were unaffected.

This material is confidential and the property of Utilimaster. It is shared with your company for the sole purpose of helping you with the operation of the described equipment.

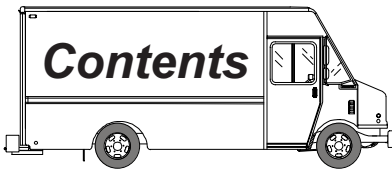
Utilimaster makes no warranty of any kind with regard to this material, including, but not limited to, the implied warranties of merchantability and fitness for a particular purpose. Utilimaster shall not be liable for errors contained herein or for incidental or consequential damages in connection with the furnishing, performance, or use of this material.

Utilimaster expressly disclaims all responsibility and liability for the installation, use, performance, maintenance, and support of third-party products. Customers are advised to make their independent evaluation of such products.

No part of this document may be photocopied, reproduced, or translated to another language without the prior written consent of Utilimaster.

Utilimaster® and Aeromaster® are registered trademarks of Utilimaster Corporation.

Browse the award-winning web site www.utilimaster.com for more information about Utilimaster and its products.



<i>Revision Control</i>	3
<i>Important Notices</i>	3
<i>Introduction</i>	7
<i>Decoding Part Numbers</i>	7
<i>Finding Part Numbers</i>	7
<i>Item Numbers</i>	7
<i>Part Numbers with a Suffix</i>	8
<i>Part Descriptions</i>	8
<i>Model Numbers</i>	8
<i>VIN Number</i>	9
<i>VIN Codes</i>	9
<i>Body Serial Number</i>	9
<i>Ordering Parts</i>	10
<i>How to Order</i>	10
<i>Returns</i>	10
<i>Customizable Parts Order Form</i>	10
<i>Faxable Parts Order Form</i>	11
<i>Filing Warranty Claims</i>	12
<i>Reporting Safety Defects (U.S. Only)</i>	13
<i>Diagrams and Parts Lists</i>	14
1— <i>Chassis</i>	14
<i>Interface</i>	14
<i>Radiator Shrouds</i>	18
<i>Front Bumper Options</i>	20
<i>Rigid Rear Bumpers</i>	22
<i>Impact Absorbing Rear Bumpers</i>	26
2— <i>Front Cab Floor</i>	28
3— <i>Cargo Floor</i>	32
4— <i>Cowling</i>	38
5— <i>Front Structure</i>	42

6—Hood	52
RIM	52
Fiberglass	58
Aluminum	62
7—Wiper System	64
8—Dash	68
Two-piece	68
One-piece Lift-up	72
9—Heat (Only) System	76
9—Heating and Air Conditioning System	82
10—Cab Floor Matting	88
Ribbed	88
Heavy-duty	90
11—Seating	92
Standard	92
Jump	96
12—Side Doors	98
Sliding	98
Sedan	102
12—Doorless Panel	104
Roll-up Window	104
Electric Window	108
13—Cab Decals and Options	112
14—Bulkhead	116
Aluminum	116
Aluminum Clad Plywood (Blandex)	120
Mesh	122
Surge Bars	124
15—Sidewalls	126
16—Rear Structure	130
Narrow Swing Doors	130
Full Swing Doors	136
Narrow Roll-up Door	140
Full Roll-up Door	144
Full Roll-up Door with Wide Post Option	146

17—Rear Doors	150
Roll-up	150
Swing	154
18—Cargo Shelving Options	158
Fold-up	158
Laundry Racks	162
19—Roof	166
Standard	166
Options	172
20—Positive Pressure System	174
Manual	174
Electric	176
21—Electrical Harnesses	180
Standard	180
Options	186
Appendixes	188
06914922—Bulkhead Panels	188
51231196—Fitzpatrick Bumpers	190
51231209—Chassis Risers	191
54231878—Jump Seats	192
54000000—Quarter Panels	192
55230967—Rear Swing Door Metal	193
55230969—Rear Swing Door Metal	194
55231017—Kickplates	196
55231328—Rear Structure Metal, Narrow Roll-up Door	197
55231329—Rear Structure Metal, Narrow Swing Doors	199
More Information	201
Utilimaster Quick Reference Parts Guide	201
Utilimaster Glossary of Terms	201
Utilimaster Body Service Manual	201
Download Files	201
Contact Utilimaster	201
Index	202

Introduction

This manual lists parts for walk-in (Aeromaster®) van bodies built on the P-3 Series Workhorse “strip” chassis for Model Years 1999 and later. This manual also illustrates most parts for the P-3 Series Chevrolet and GMC “strip” chassis Model Years built from 1996 through 1998. Some part numbers have changed from previous model years and not all options are included in this manual.



This manual contains exploded-view drawings and parts lists to aid in ordering replacement parts. Only those assemblies manufactured by or installed by Utilimaster® Corporation are covered. Items such as chassis and drive train components or certain interior furnishings are covered by separate manufacturer-supplied information.

All information, specifications, and illustrations contained in this manual are based on the latest product information available at the time of publication. However, because of the Utilimaster policy of continual product improvement, Utilimaster reserves the right to amend the information in this document at any time without prior notice.

Decoding Part Numbers

Finding Part Numbers

This manual contains exploded-view drawings and parts lists for standard factory parts. The drawings illustrate the various parts and their general locations. The parts list accompanying a drawing describes each part and gives the corresponding Utilimaster part number. Some parts may appear on multiple drawings and lists.

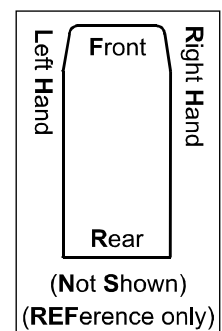
To find a particular part number:

1. Use the Contents or Index pages to find the appropriate section of the manual.
2. Look at the diagram to find the drawing of the part required and note its item number.
3. Look at the parts list and cross-reference the item number to its corresponding description. If the description resembles the required part, note the corresponding Utilimaster part number. If the description does not seem correct, double-check the diagram.

Item Numbers

Drawings have item numbers identifying each part in the drawing:

- Item numbers lead with the section number (e.g., all **12.X** numbers are Side Door parts).
- The item numbers are listed numerically in the parts lists (e.g., **12.1**, **12.2**, **12.3**) followed by the Utilimaster part number and part descriptions.
- The corresponding side of the vehicle (if applicable) is identified by a **RH** (**Right Hand**) or **LH** (**Left Hand**) suffix. (See the directional icon here and on the parts list pages.)
- A numerical suffix (e.g., **12.10.1**) indicates a part variation, a component of the preceding part, or fasteners for the preceding part.



- Other item number suffixes might indicate vehicle height, width, chassis model number (see Model Numbers section), engine configuration, or other information that specifies that part (e.g., 5.19-93 or 9.0 H).
- Parts that are not shown have the X.NS suffix.
- Assembly numbers (X.Ref) are listed only for Utilimaster parts representatives to cross-reference.

Part Numbers with a Suffix

A **part number with a suffix** might require you to include more information:

- The **Width** suffix (e.g., 12345678-**W**) is asking for the **body width** (78.5", 86.5", or 93.5").
- The **Height** suffix is asking for the **body height** (73", 81", or 85").
- The **Length** suffix needs the **length of the part** being replaced (the part will need to be measured).
- An **Appendix** suffix requires cross-referencing the number with an appendix in the back of this manual. (See the Table of Contents.)
- A part number with a **CHART** suffix depends on various body options to accurately replace the part, Customer Service will consult your vehicle body options from your supplied Body Serial Number.

In some cases specific part numbers are replaced by a code.

- **Parts Guide** refers to the *Utilimaster Quick Reference Parts Guide*. (See the More Information section in the back of this manual.)
- **BSNR** means the **Body Serial Number is Required**. (See the Utilimaster Body Serial Number section.)
- **DSNR** means the Roll-up **Door Serial Number is Required**. This number is stamped on a metal plate on the interior side of the door.

Our Customer Service Department will gladly help if you need assistance.

Part Descriptions

Two asterisks (**) in front of the part description indicates that this part number is not currently used in Utilimaster production. These parts may take longer to deliver or may be replaced (superseded) by a different part number.

Model Numbers

Utilimaster has built bodies on the Workhorse P-3 “strip” chassis since 1999. Prior to that, this chassis was manufactured by Chevrolet and GMC. Whether your truck is based on GMC, Chevrolet, or Workhorse chassis, the majority of parts are interchangeable by design and are all referred to as the Model 33. This model number might show up in the parts description or as an item number suffix. However, some replacement parts depend on the chassis engine options (4.3L, 5.7L, 6.5L, 4BT, or ISB4). The engine code is identified by the eighth digit in the VIN Number. Other chassis options such as independent front suspension versus a straight axle may also affect replacement body parts.

Our Customer Service Department will gladly help if you need assistance.

VIN Number

The 17-digit chassis **Vehicle Identification Number (VIN)** is the legal identifier for this vehicle and is the number recorded in the license plate registration. The VIN appears on a small metal plate in the front corner of the dash on the driver's side, and you can read the VIN by looking through the quarter window. The VIN is also recorded on the Federal Certification Label.



VIN Tag

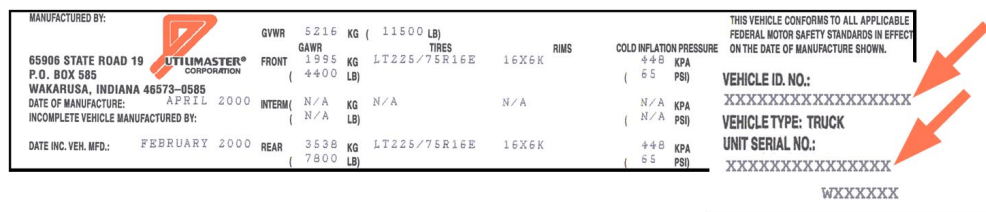
VIN Codes

Workhorse Vehicle Identification Number (VIN) Codes			
Code Position	Definition	Character	Description
4	GVWR (lbs) and Brake System	G	8001-9000 Hydraulic
		H	9001-10000 Hydraulic
		J	10001-14000 Hydraulic
		K	14001-16000 Hydraulic
		L	16001-19500 Hydraulic
		M	19501-26000 Hydraulic
8	Engine	R	5.7 V8
		W	4.3 V8
		Y	6.5 V8 Diesel Naturally Aspirated
		F	6.5 V8 Diesel Turbo
		L	4.9 4BT Diesel Manual
		P	4.9 ISB4 Diesel Electronic
10	Chassis Model Year	X	1999
		Y	2000
		1	2001
		2	2002
		3	2003

Body Serial Number

The 15-digit **Utilimaster Body (or Unit) Serial Number** is recorded on the **Federal Certification Label**. This label is a plastic decal (about 11" long and 2" high) that contains a variety of manufacturing information (including the VIN). This label is near the top of the door frame between the driver's side window and the quarter-panel window.

You will need the VIN or the Body/Unit Serial Number to order parts and make warranty claims.



Federal Certification Label

Ordering Parts

How to Order

To order parts for this vehicle, gather the following information:

- **Model and year of vehicle** (200x-*Customer name*).
- **Chassis VIN or Utilimaster Body Number** (see page 9).
- **Complete shipping address.**
- **Preferred method of shipping.**
- **Complete description of all the parts necessary** (see parts lists).
- **Method of payment.**

NOTE: Customer Service prefers payment by Visa, MasterCard, Discover, or American Express credit cards. Purchase Orders from customers with established open accounts are also accepted.



Then contact Utilimaster Customer Service by using one of the following methods:

- **Email** your order to CustSvc@Utilimaster.com. (See Customizable Parts Order Form below.)
- **Fax** your order to **574-862-7637**.
- **Call 800-237-7806** (574-862-3219) and ask for the Parts Department.
- **Mail or express service** your order to the following address:

Utilimaster Corp.
Attn: Parts Department
65528 State Road 19
P.O. Box 585
Wakarusa, IN 46573-0585
U.S.A.

NOTE: When phoning Utilimaster, be aware that our 219 telephone area code changed to 574 in January 2002. The 800 numbers were unaffected.

Returns

To return parts for credit, call the Customer Service Department for prior authorization. All returns must be shipped prepaid freight. A restocking fee will be charged to all returns. Special-order parts are not returnable.

Customizable Parts Order Form

The **Parts Order Form** on the next page can be photocopied from this manual. Then one of the copies can be filled in with the relevant information and then faxed or mailed to Utilimaster Customer Service.

You can also download a customizable form template file from the Utilimaster web site www.utilimaster.com. That template is similar to the form on the next page, but it has a header that you can customize with your name and address. Then, to order parts, you only have to enter the specific information about the vehicle—saving retyping the same address information repeatedly. After completing the form information, the file can be emailed as an attachment. That form can also be used for mailing or faxing.

Service Center Name _____

Address _____

Contact Person _____

City, State, Zip _____

Email _____

Phone _____

Fax _____

To Utilimaster Parts Department
65528 State Road 19, P.O. Box 585
Wakarusa, IN 46573-0585, U.S.A.

FAX 574-862-7637

Date _____

Preferred Shipping _____
(i.e., type of carrier and service priority)

Re Parts Order _____
or Request for Quote Only _____

Credit Card # _____
(or PO# for customers with open accounts)

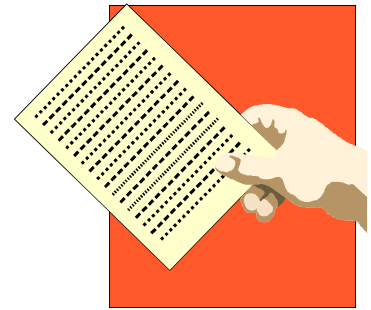
Special Instructions _____
(e.g., different shipping address)

Signature _____
Service center representative's signature

Vehicle Model		Utilimaster Body S/N or Chassis VIN		Application
				Maintenance __ Accident __ or Warranty __
Order Item #	Utilimaster Part Number	Part Description	Quantity	Comments (optional)
1.				
2.				
3.				
4.				
5.				
6.				
7.				
8.				
9.				
10.				
11.				
12.				
13.				
14.				
15.				
16.				

Filing Warranty Claims

If a problem on the Utilimaster body is caused by a defect in materials or workmanship, during the warranty period it will be covered by our Limited Warranty. Chassis, engine, tires, and battery failures are covered by the individual manufacturers.



Claims must meet the requirements listed below. Failure to meet these requirements may result in a denied or delayed claim.

Complete a repair order with the following information:

- **Owner's and/or service facility's name.**
- **Service center representative's signature.**
- **Chassis VIN or Utilimaster Body Serial Number** (see page 9).
- **Date vehicle was repaired.**
- **Mileage at time of failure.**
- **Itemized description of the problem.**
 - Complaint**
 - Cause of failure** (if known)
 - Correction** (describe in detail)
- **Service center labor rate and total time of repair.**
- **Total claim amount, including cost of parts, labor, miscellaneous charges, and sales tax** (if applicable).
- **Your claim or repair order number.**

NOTE: The claim or repair order number is the number used to match Utilimaster payment with the work done. It will be noted on your payment.
- **Utilimaster authorization number** (for repairs costing over \$150 U.S.).

The claim can be mailed, faxed, emailed, or performed on-line on our web site (assuming all required information is included).

- Warranty claims should be **mailed** to:
 - Utilimaster**
 - Attn: Warranty Department**
 - 65528 State Road 19**
 - P.O. Box 585**
 - Wakarusa, IN 46573-0585**
 - U.S.A.**

NOTE: When phoning Utilimaster, be aware that our 219 telephone area code changed to 574 in January 2002. The 800 numbers were unaffected.

- Alternately, you can **fax** your claim (if no photographs are involved) with the above information to **574-862-7637**. (The resolution of the received copies must be acceptable, or you will be asked to mail your hard copies.)
- Or you can **email** your claim with the above information to **Warranty@Utilimaster.com**. (You can download a customizable **Warranty Claim Form template** from the Utilimaster web site **www.utilimaster.com**. The template has a header that you can customize with your name and address. Then, to file a claim, you only have to enter the specific information about the vehicle—saving retyping the same address information repeatedly. After completing the form information, the file can be emailed as an attachment. This form can also be used for mailing or faxing.)

Other claim requirements:

- Any repairs **over \$150 U.S. or for structural warranty require prior authorization** from Utilimaster, and that number must appear on the repair order.
- Any claim that is not **legible and complete** will be returned for completion.
- **All paint claims** require pictures, estimates, and prior authorization.
- **Shipping damage claims** also require pictures, estimates, and prior authorization. The damage must also be noted on the Delivery Acceptance form. This form requires the signature of the carrier driver.
- **Sublet work** must have the sublet repair order attached to the service facility's repair order that is being submitted.
- Claims must be **submitted within 30 days** after the repair is completed.

If the return of a failed part is requested, contact a Utilimaster warranty representative for a return goods authorization (RGA). Please reference that number with the returned part and enclose a copy of the repair order. Shipping charges should be entered on the same repair order that is submitted for warranty payment. COD charges for a returned parts will not be accepted, and the part will be returned.

Claims are paid semimonthly. Utilimaster generally does not pay sales tax on claims. If you do not have our tax exemption number on file, please call 800-528-3454 or 574-862-4561 and ask for the accounting department to obtain the number.

Reporting Safety Defects (U.S. Only)

If you believe that your vehicle has a defect that could cause a crash, injury, or death, you should immediately inform the National Highway Traffic Safety Administration (NHTSA), in addition to notifying Utilimaster.

If NHTSA receives similar complaints, it may open an investigation, and if it finds that a safety defect exists in a group of vehicles, it may order a recall and remedy campaign. However, NHTSA cannot become involved in individual problems between you, your dealer, or Utilimaster.

To contact NHTSA, you may either call the Auto Safety Hotline toll-free at **1-800-424-9393**; in the Washington, D.C., area call **202-366-0123** or write to:

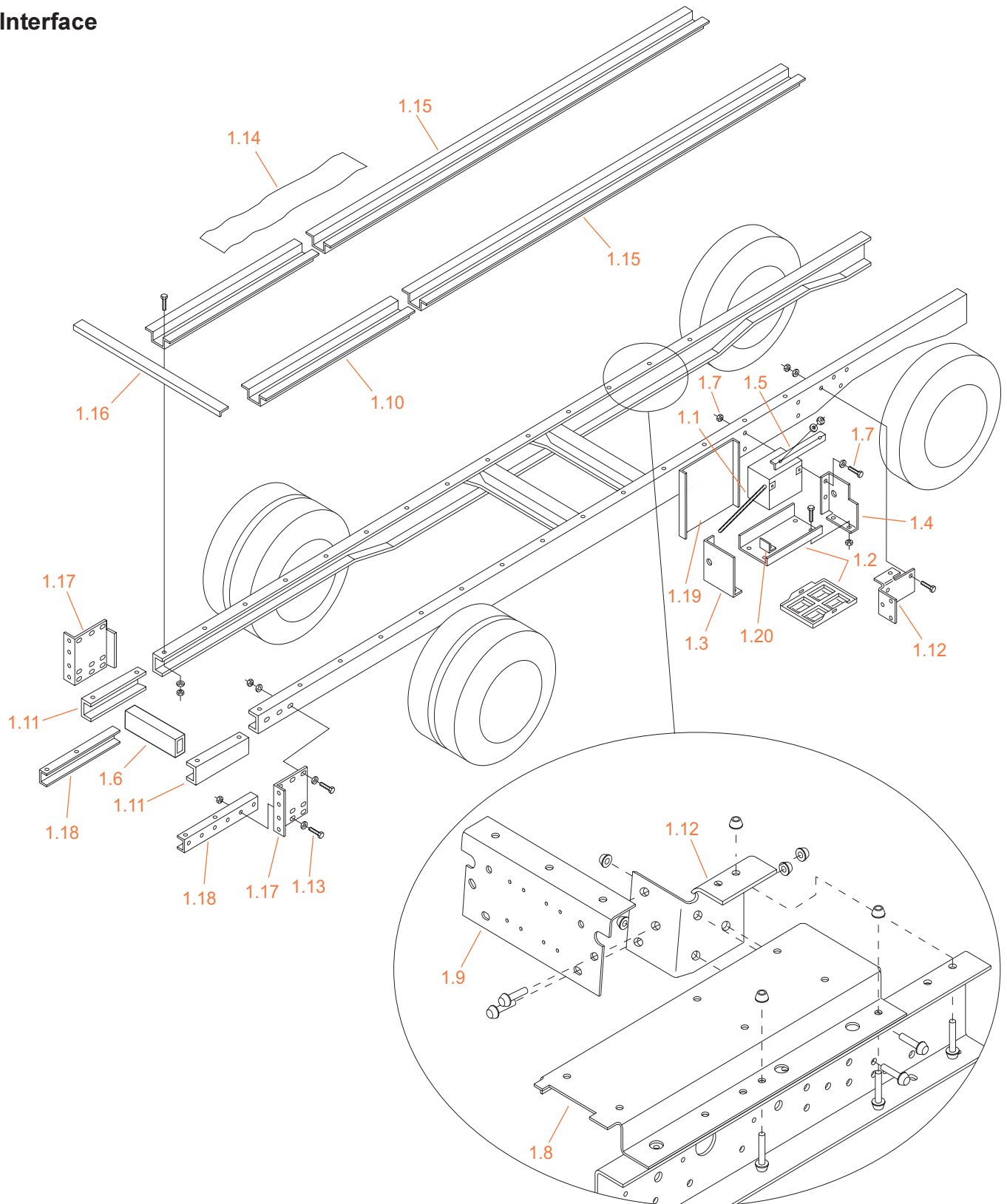
**NHTSA
U.S. Department of Transportation
400 Seventh Street
Washington, DC 20590**

You can also obtain other information about motor vehicle safety from the Hotline.

Diagrams and Parts Lists

1—Chassis

Interface



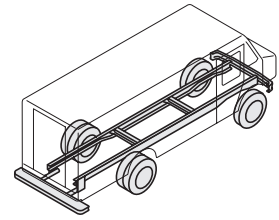
Chassis, Interface

Utilimaster, 65528 State Road 19, P.O. Box 585, Wakarusa, IN 46573-0585, U.S.A.

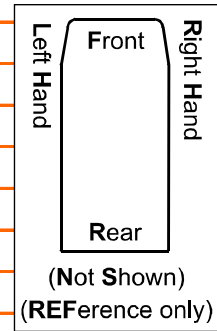
Email CustSvc@Utilimaster.com or Browse the web site www.utilimaster.com.

Call 800-237-7806 (or 574-862-3219) or Fax to 574-862-7637.

(See the Decoding Part Numbers section for Item, Part, and Description codes.)



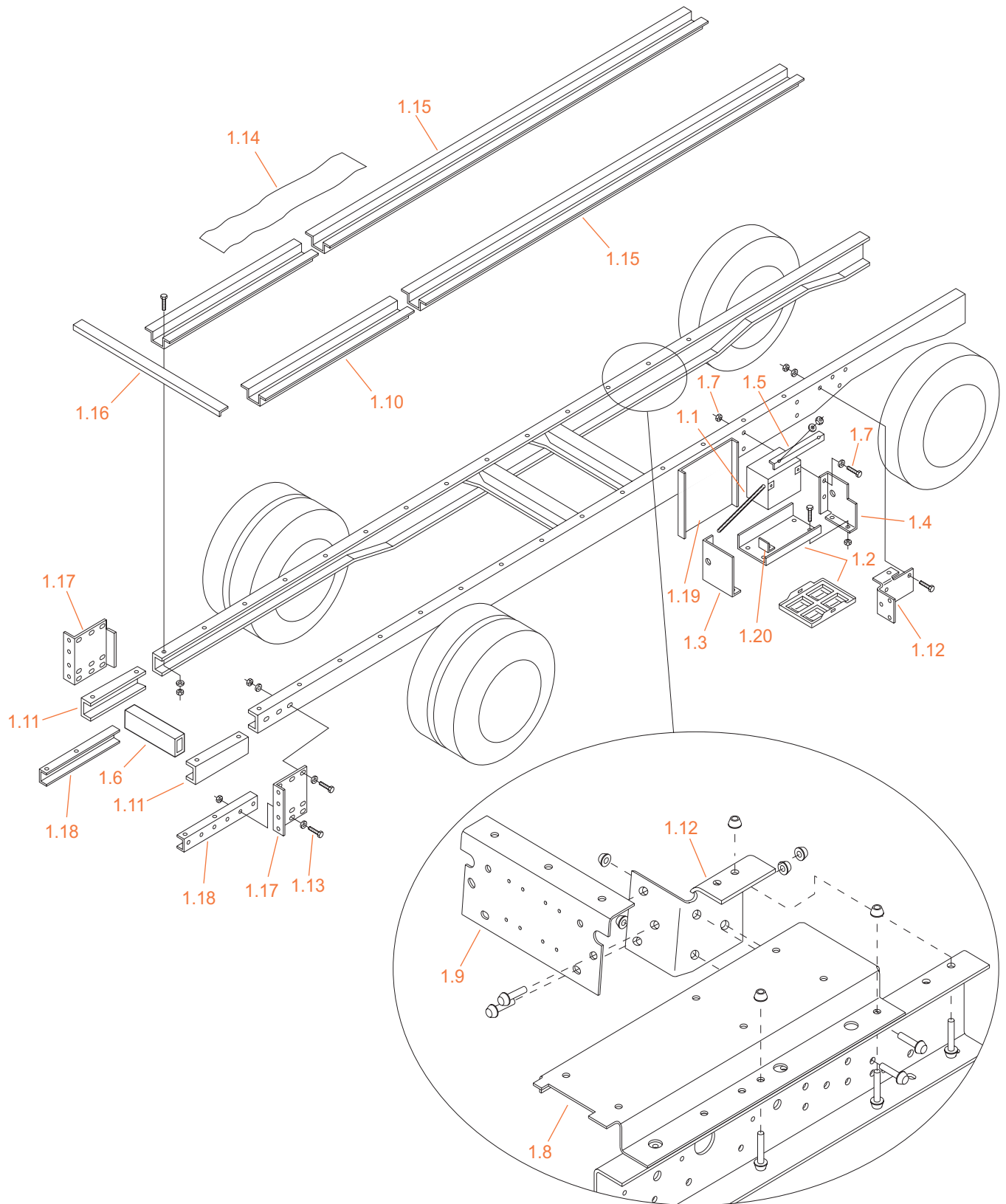
Item	Part Number	Description
1.0	51231209	WORKHORSE CHASSIS PREP ASSY
1.1.1	11008141	WASHER 1/4 FLAT ZC
1.1.2	22101892	ROD BATTERY HOLD DOWN
1.1.3	11006945	NUT KEP 1/4-20 ZINC
1.2.1	22101980	DUAL BATTERY BOTTOM TRAY #32,33
1.2.2	22101890	BATTERY TRAY BTM SINGLE #32,33
1.2.3	22813891	TRAY BTRY BTM DUAL 4"LWR 32,35
1.3	22101893	BRKT AFT BATT TRAY RH
1.4	22101894	BRKT FORE BATT TRAY RH
1.5.1	22101891	BRKT BATT HOLD DOWN
1.5.2	22814420	HOLD DOWN WLDMT BATTERY 4"LWR (NS)
1.6	22250595	TUBE 12GA x 2 x 4 x 33.5
1.7.1	11005930	BOLT HX 1/2-13X11/2
1.7.2	11000084	WASHER (SPACER) 0.531 ID x 1.31 OD
1.7.3	11000043	NUT LOCK 1/2-13 2-WAY ZINC
1.8	See Front Cab Floor Section	
1.9	See Front Cab Floor Section	
1.10	Appendix 51231209	RISER REAR FRAME
1.11	Appendix 51231209	FRAME EXTENSION
1.12.1 LH	22101982	ANGLE XMEMBER SPRT LH
1.12.1 RH	22101983	ANGLE XMEMBER SPRT RH
1.12.2 LH	22101984	ANGLE XMEMBER SPRT LH IND #33
1.12.2 RH	22101985	ANGLE XMEMBER SPRT RH IND #33
1.12.3 LH	22818468	ANGLE XMEMBER SPRT LH CUMMINS #33
1.12.3 RH	22818467	ANGLE XMEMBER SPRT RH CUMMINS #33
1.13.1	11005930	BOLT HX 1/2-13 x 11/2
1.13.2	11008160	WASHER 1/2 FLAT
1.13.3	11000043	NUT LOCK 1/2-13 2WAY ZINC
1.14	12303705	TAPE VINYL 3" WHITE
1.15	Appendix 51231209	RISER MID FRAME
1.16	22101957	ANGLE RR STR SPRT 48"



Continued

1—Chassis

Interface (continued)



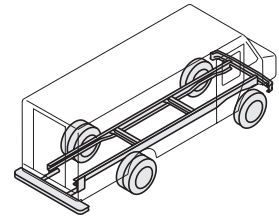
Chassis, Interface

Utilimaster, 65528 State Road 19, P.O. Box 585, Wakarusa, IN 46573-0585, U.S.A.

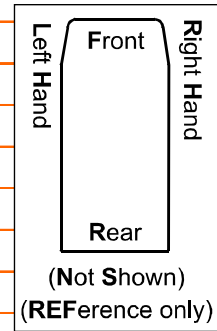
Email CustSvc@Utilimaster.com or Browse the web site www.utilimaster.com.

Call 800-237-7806 (or 574-862-3219) or Fax to 574-862-7637.

(See the Decoding Part Numbers section for Item, Part, and Description codes.)

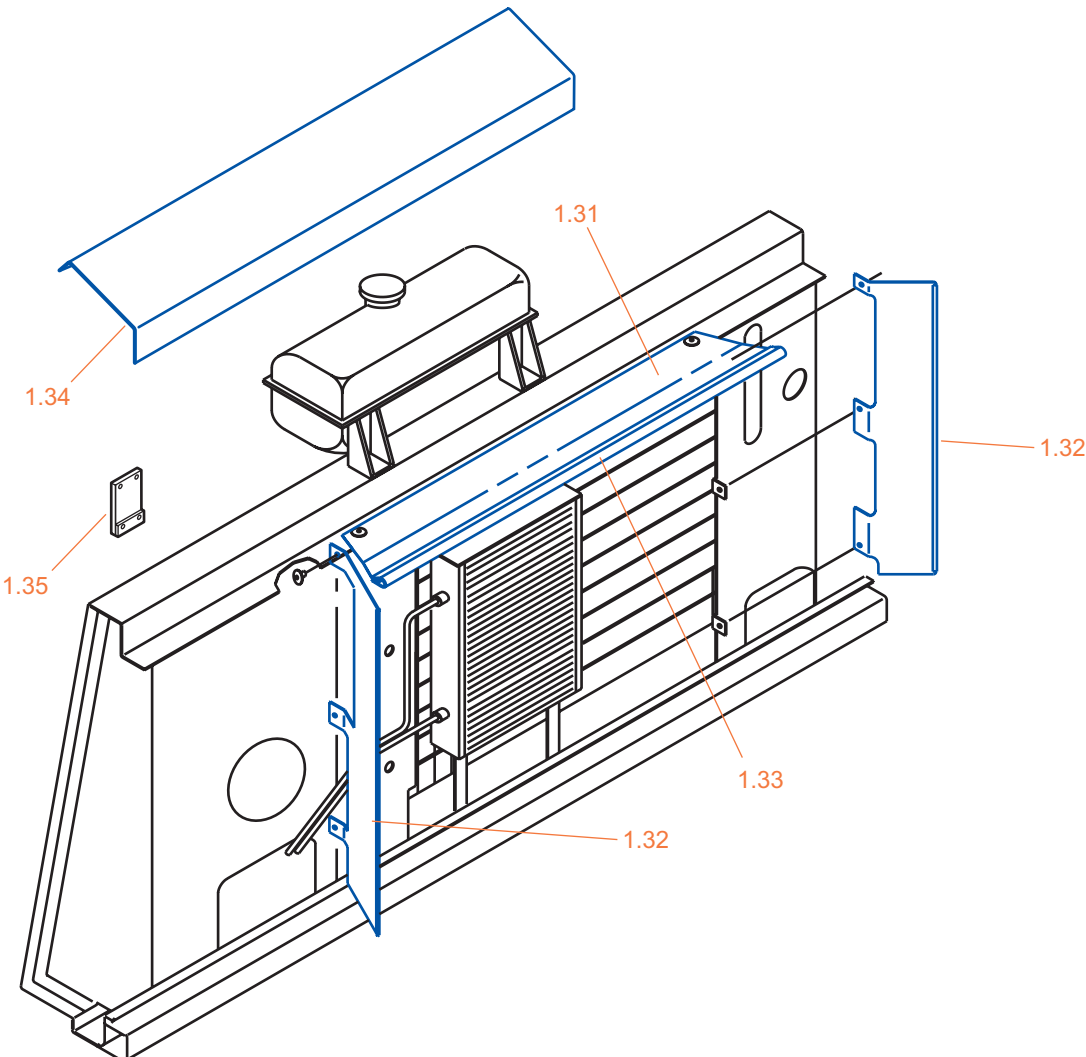


Item	Part Number	Description
1.17.1 LH	22814525-00925	ANGLE RR STR FRAME LH
1.17.1 RH	22814526-00925	ANGLE RR STR FRAME RH
1.17.2 LH	22813458	ANGLE RR STR LH LO-PRO #33
1.17.2 RH	22813457	ANGLE RR STR RH LO-PRO #33
1.17.3 LH	22814002	ANGLE RR STR FRM LH FITZ 32,33
1.17.3 RH	22814003	ANGLE RR STR FRM RH FITZ 32,33
1.17.4 LH	22814607	ANGLE RR STR/FRAME LH
1.17.4 RH	22814608	ANGLE RR STR/FRAME RH
1.18	22813921	CHNL BMPR 10GA x 2 x 3 x 4 x 24 HLS
1.19	22813892	TRAY BTRY BACK 4"LWR 32,35
1.20	06919203	RETAINER BAT TRAY DUAL #33 #35
1.NS	11600501	BOLT CRG 3/8-16 x 10" SQR (Ref 51231241)
1.NS	08707205	CLAMP TAILPIPE U 3"
1.NS	01109016	EXTEN EXHAUST TUBE 3 x 10.5
1.NS	08707354	HANGER TAILPIPE
1.NS	17200713	HEATER ENGINE GM
1.NS	08700184	PLUG CHASSIS 3/4"
1.NS	22810584	SHIM SPACER 1/4 x 2 x 2
1.NS	11600653	SPACER FRAME RISER .18 THK #33
1.NS	01902415	STEP FLDNG E-COAT BLK
1.Ref	51231408-Chart	ALIGNMENT SPECIFICATIONS
1.Ref	01903181-00001	LEAF SPRING SIDE GM
1.Ref	51231241	BOX BATT DUAL 4" STEP INSTALL
1.Ref	51231266	BMPR FRT RIM HOOD INSTALL #33
1.Ref	51231224	BATTERY TRAY ASY DUAL



1—Chassis

Radiator Shrouds



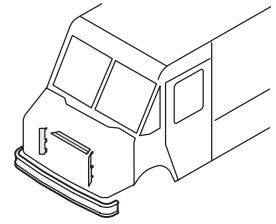
Chassis, Radiator Shrouds

Utilimaster, 65528 State Road 19, P.O. Box 585, Wakarusa, IN 46573-0585, U.S.A.

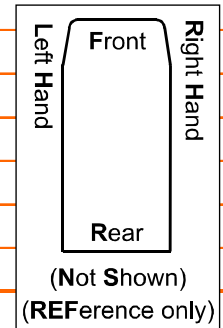
Email CustSvc@Utilimaster.com or Browse the web site www.utilimaster.com.

Call 800-237-7806 (or 574-862-3219) or Fax to 574-862-7637.

(See the Decoding Part Numbers section for Item, Part, and Description codes.)

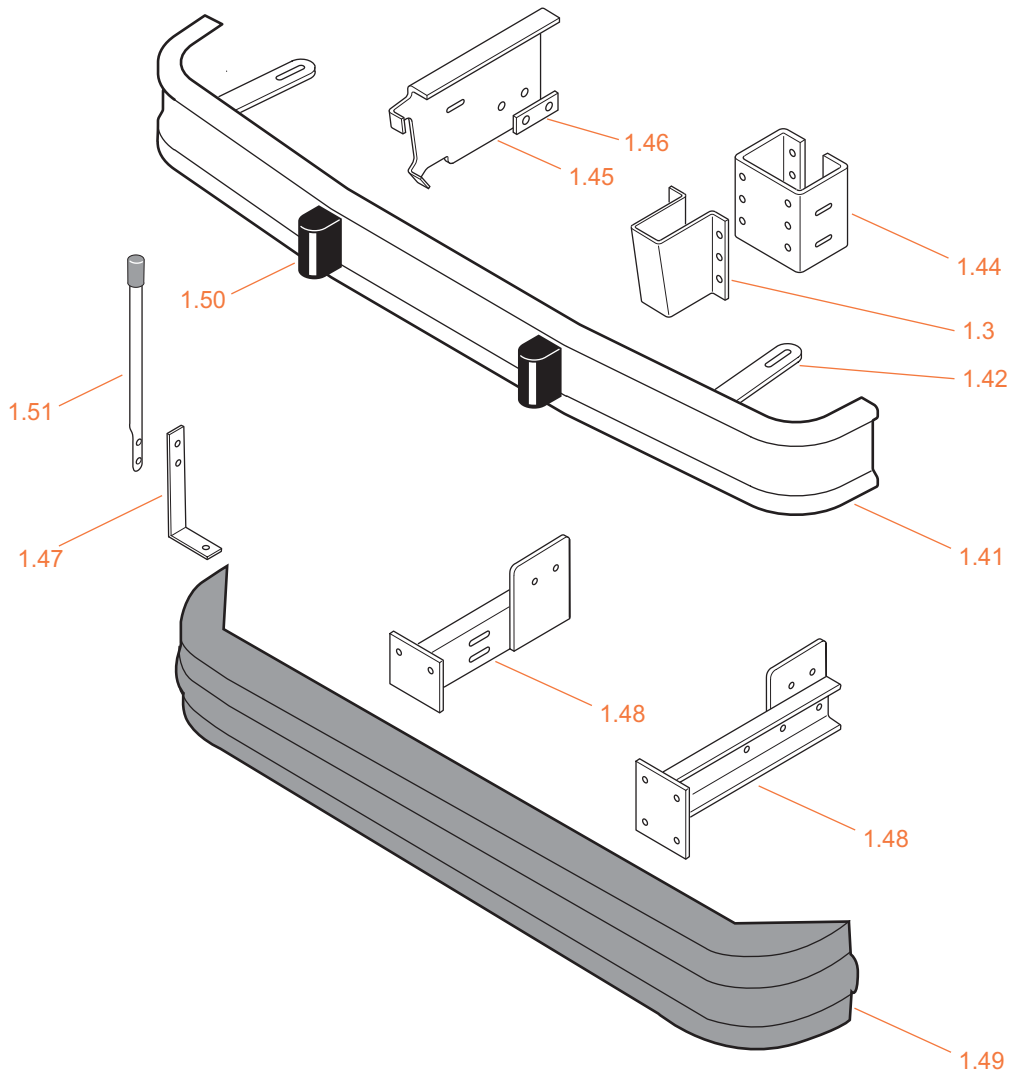


Item	Part Number	Description
1.30		WORKHORSE RADIATOR SHROUDS
1.31	07206201	SHROUD RADIATOR TOP W/AC #33
1.32 LH	07206203	SHROUD RADIATOR LH W/AC #33
1.32 RH	07206202	SHROUD RADIATOR RH W/AC #33
1.33	05402186	SEAL
1.34	07206252-Width	A/C SHROUD HOOD MOUNTED CHART (Attached to Hood)
1.35	22814568	PLATE WLD OVERFLOW BTL MNT #33
1.NS	05302312	TRIM LOK 1/16"
1.NS	22814623	BRKT COOL FAN MNT LH 6.5L #33
1.NS	22814624	BRKT COOL FAN MNT RH 6.5L #33
1.Ref	51231209	INSTL OVERFLOW BOTTLE
1.Ref	54232515	INSTL RADIATOR SHRDS A/C CHART #33



1—Chassis

Front Bumper Options



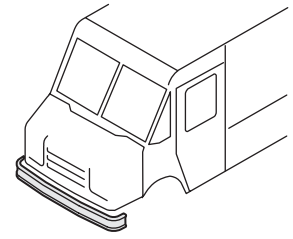
Chassis, Front Bumper Options

Utilimaster, 65528 State Road 19, P.O. Box 585, Wakarusa, IN 46573-0585, U.S.A.

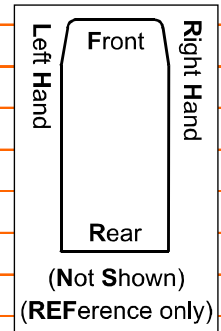
Email CustSvc@Utilimaster.com or Browse the web site www.utilimaster.com.

Call 800-237-7806 (or 574-862-3219) or Fax to 574-862-7637.

(See the Decoding Part Numbers section for Item, Part, and Description codes.)

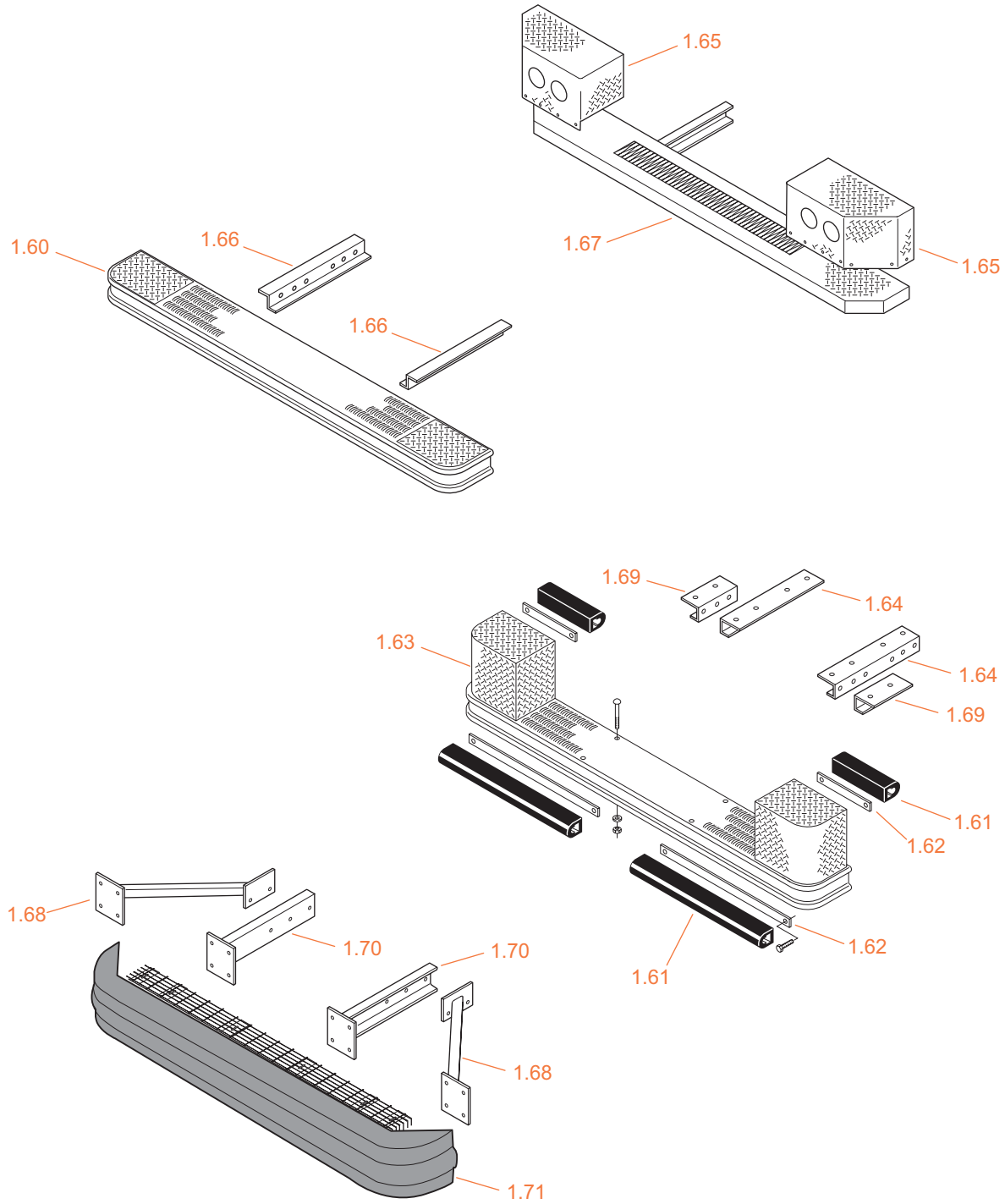


Item	Part Number	Description
1.40		WORKHORSE FRONT BUMPER OPTIONS
1.41.1	Parts Guide	BUMPER FRT, UTILIMASTER
1.41.2	Chassis Supplied	BUMP FRT, GM/WORKHORSE
1.42	22815149	BRKT SPT OUTER BMPR RIM HOOD #33
1.43	22814171	MNT BMPR FRT RIM HD I-BEAM #33
1.44	22813535	CHANNEL FRONT BUMPER MOUNT
1.45 LH	22814168	BRKT FRT BMP MNT LH IND RIM HD #33
1.45 RH	22814169	BRKT FRT BMP MNT RH IND RIM HD #33
1.46	22815515	SPACER FRT BMPR 1/4 x 2 x 4
1.47	22813824	BRACKET SIGHT ROD 7GA #30-36
1.48 LH	22813527	MNT WLDMT FR LH IND SUSP #33
1.48 RH	22813528	MNT WLDMT FR RH IND SUSP #33
1.49	BSNR	BUMPER FRT, RIM
1.50	01100437	BUMPER DOCK 3 x 3.5 x 6
1.51.1	08220367	GUIDE SITE ROD RED
1.51.2	08220182	GUIDE ROD SITE ORANGE
1.Ref	64236639	DOCK BUMPER INSTL FRT 30-36
1.Ref	51231410	INSTL FRT BMPR W/RTM F/G HD GM
1.Ref	51231425	INSTL FRT BUMPER #33
See also Utilimaster Quick Reference Parts Guide.		



1—Chassis

Rigid Rear Bumpers



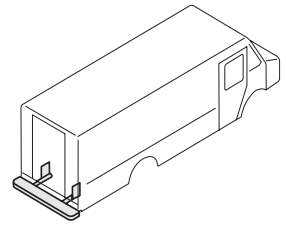
Chassis, Rigid Rear Bumpers

Utilimaster, 65528 State Road 19, P.O. Box 585, Wakarusa, IN 46573-0585, U.S.A.

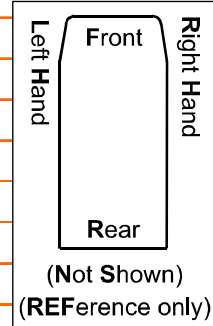
Email CustSvc@Utilimaster.com or Browse the web site www.utilimaster.com.

Call 800-237-7806 (or 574-862-3219) or Fax to 574-862-7637.

(See the Decoding Part Numbers section for Item, Part, and Description codes.)



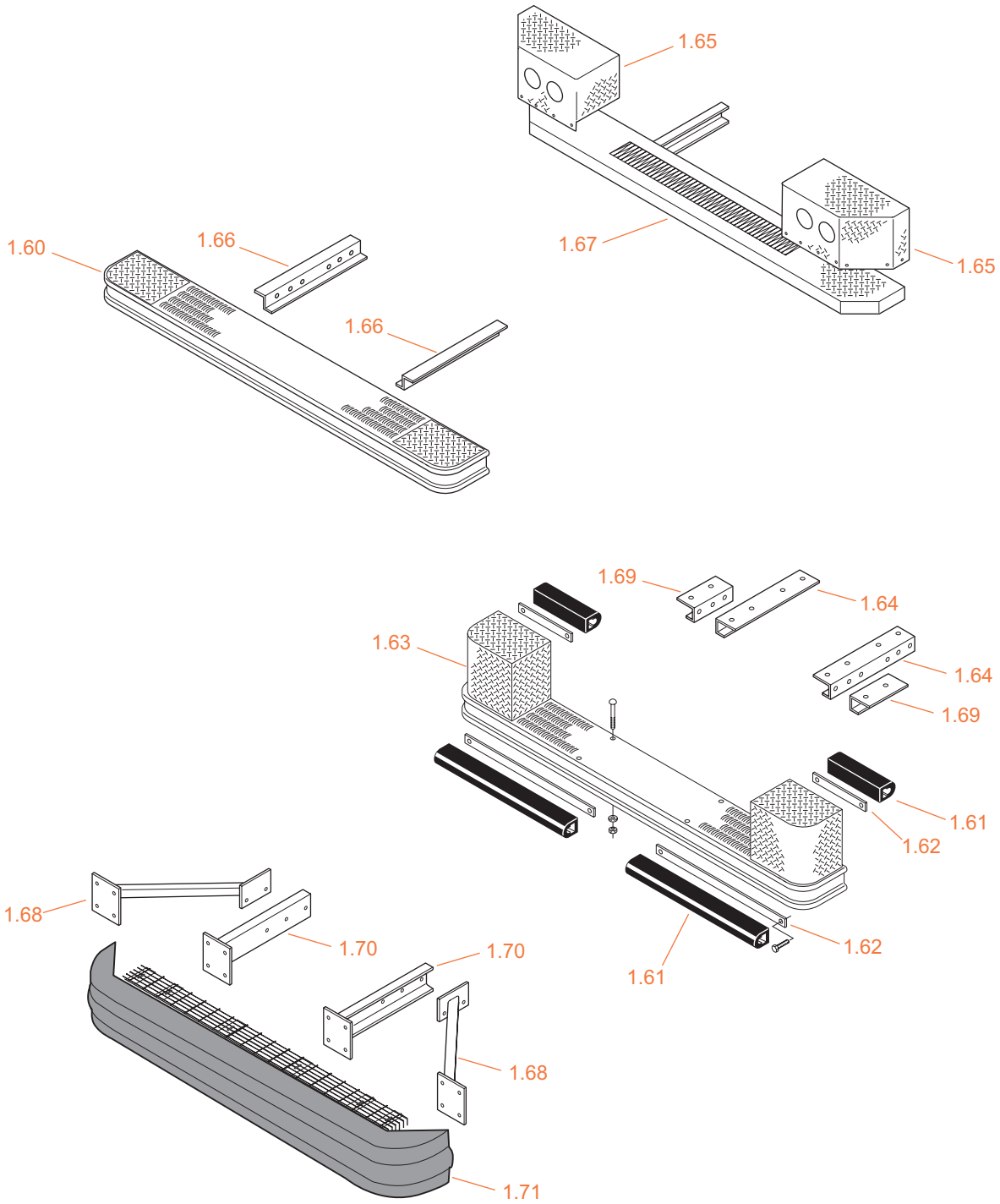
Item	Part Number	Description
1.60.1	22813479-Width	BUMPER RR G/STRUT 10" (SPECIFY UNIT SIZE)
1.60.2	22813480-Width	BUMPER RR G/STRUT 12" (SPECIFY UNIT SIZE)
1.60.3	01902305-Width	ASY 10" RR G/S BMP W/REC (SPECIFY UNIT SIZE)
1.60.4	01902296-Width	10" G/S BPR REC&KID 2/HLS (SPECIFY UNIT SIZE)
1.61.1	01902173-Width	BUMPER RUBBER DOCK (SPECIFY UNIT SIZE)
1.61.2	01902562	BMPR RBR DOCK HOOD GUIDE 4.5"
1.61.3	01102890	BUMPER RUBBER D 2" x 12"
1.61.4	20510155	BUMPER RUBBER DOCK 2" x 30"
1.61.5	20510672	BUMPER RUBBER DOCK 2" x 30" 45BE
1.61.6	20510708	BUMPER RUBBER DOCK 93"
1.61.7	01902861	BUMPER RUBBER DOCK 2" x 24"
1.61.8	01902635	BUMPER RUBBER DOCK 26"
1.62-L	06917212-Length	WASHER RIBBON (SPECIFY LENGTH)
1.62-11	06921319	ALUM .063 x .88 x 11.5
1.62-29	06921320	ALUM .063 x .88 x 29.5
1.63	22813928-Width	BMPR 12" GS W/2HL KID (SPECIFY UNIT SIZE)
1.64.1	22813921	CHNL BMPR 10GA x 1 x 3 x 4 x 24 HLS
1.64.2	22817112	CHNL BMPR 7GA 1 x 3 x 4 x 24 HOLES
1.65.1 LH	22813540	KIDNEY WLDMT 8" BUMPER LH
1.65.1 RH	22813541	KIDNEY WLDMT 8" BUMPER RH
1.65.2 LH	22813504	KIDNEY WLDMT 8" BUMPER LH W/2LTS
1.65.2 RH	22813503	KIDNEY WLDMT 8" BUMPER RH W/2LTS
1.65.3 LH	22813544	KIDNEY WLDMT 12" BMP LH 30-36
1.65.3 RH	22813545	KIDNEY WLDMT 12" BMP RH 30-36
1.65.4 LH	22813554	KIDNEY WLD 12" BMPR LH 2/HLS BB
1.65.4 RH	22813555	KIDNEY WLD 12" BMPR RH 2/HLS BB
1.66 LH	22814771	SUPPORT BUMPER ZEE LH 24"
1.66 RH	22814772	SUPPORT BUMPER ZEE RH 24"
1.67.1	51231231-Width	BMPR WLDMT 9" W/GS INS PTD (SPECIFY UNIT SIZE)
1.67.2	51231225-Width	BUMPER WLDMT 8" STEP PNTD (SPECIFY UNIT SIZE)
1.67.3	51231233-Width	BMPR WLDMT 12" W/GS INS PTD (SPECIFY UNIT SIZE)
1.67.4	51231229-Width	BUMPER WLDMT 12" STEP PTD (SPECIFY UNIT SIZE)
1.67.5	22813993-Width	BUMPER REAR BUSTIN (SPECIFY UNIT SIZE)
1.68 LH	51231286	SUPPT WLD LH RR BUMPER
1.68 RH	51231287	SUPPT WLD RH RR BUMPER



Continued

1—Chassis

Rigid Rear Bumpers (continued)



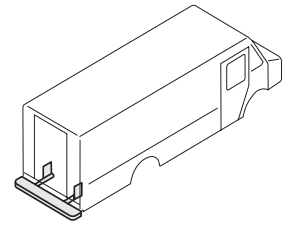
Chassis, Rigid Rear Bumpers

Utilimaster, 65528 State Road 19, P.O. Box 585, Wakarusa, IN 46573-0585, U.S.A.

Email CustSvc@Utilimaster.com or Browse the web site www.utilimaster.com.

Call 800-237-7806 (or 574-862-3219) or Fax to 574-862-7637.

(See the Decoding Part Numbers section for Item, Part, and Description codes.)



Item	Part Number	Description
1.69.1	22817113	CHNL BMPR 7GA 1 x 3 x 4 x 14 HOLES
1.69.2	22817114	CHNL BMPR 7GA 1 x 3 x 4 x 10 HOLES
1.70 LH	51231284	MOUNT WLDMT BMPR RR LH ROMEO
1.70 RH	51231285	MOUNT WLDMT BMPR RR RH ROMEO
1.71	01901988-Width	BUMPER RR RR RIM
1.Ref	51231527	DOCK BUMPER ASSEMBLY REAR CHART
1.Ref	55231303	INSTL VISE HOLDER BUMPER MOUNT
1.Ref	51231537	INSTL REAR BUMPER CHANNEL
1.Ref	51231420	BMPR ASY RUBBER DOCK
See also Utilimaster Quick Reference Parts Guide.		

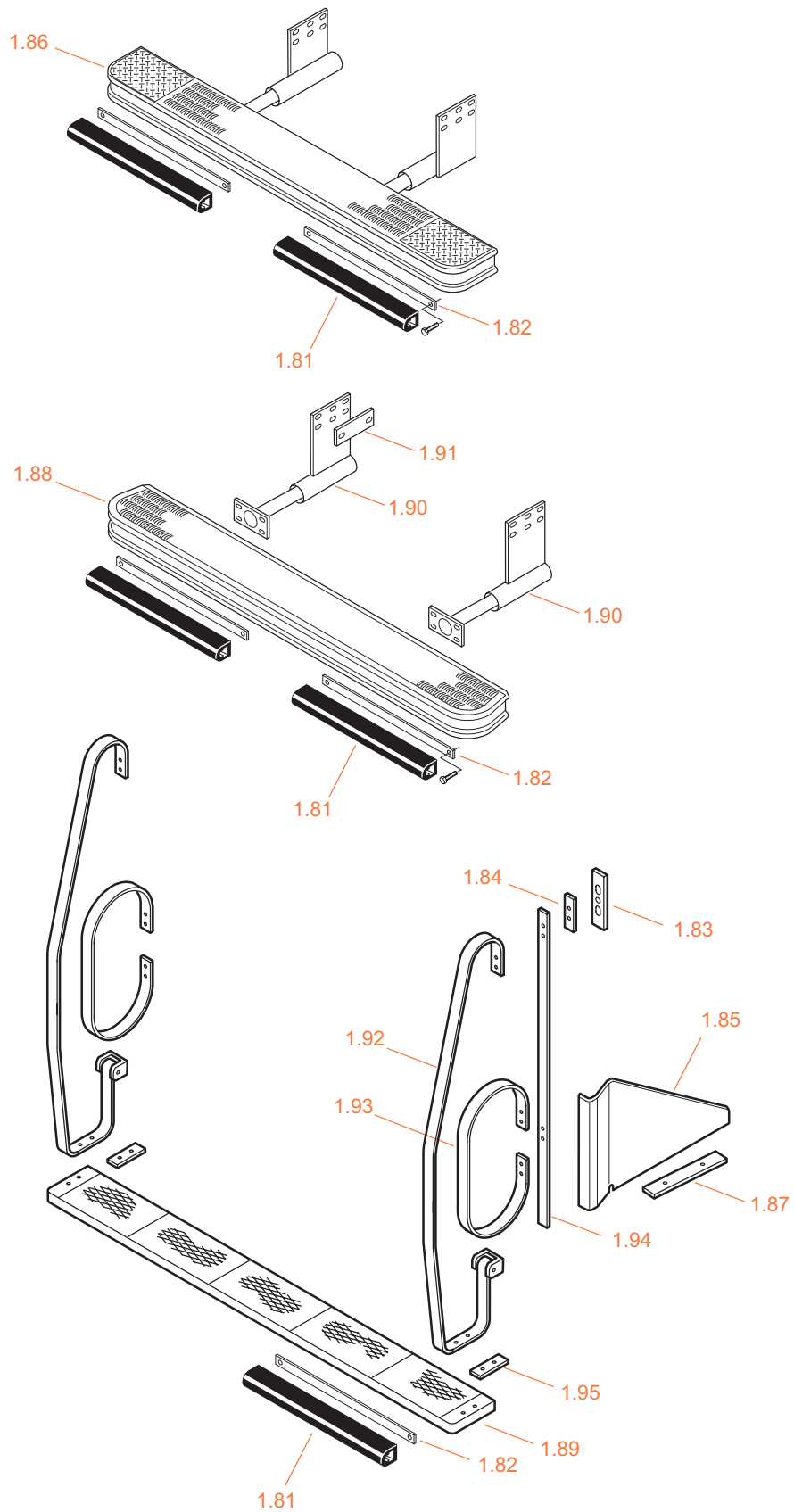
Left Hand Front Right Hand

Rear

(Not Shown)
(REFERENCE only)

1—Chassis

Impact Absorbing Rear Bumpers



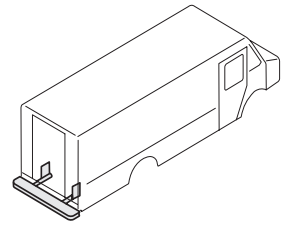
Chassis, Impact Absorbing Rear Bumpers

Utilimaster, 65528 State Road 19, P.O. Box 585, Wakarusa, IN 46573-0585, U.S.A.

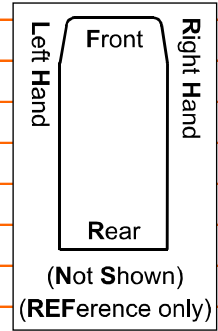
Email CustSvc@Utilimaster.com or Browse the web site www.utilimaster.com.

Call 800-237-7806 (or 574-862-3219) or Fax to 574-862-7637.

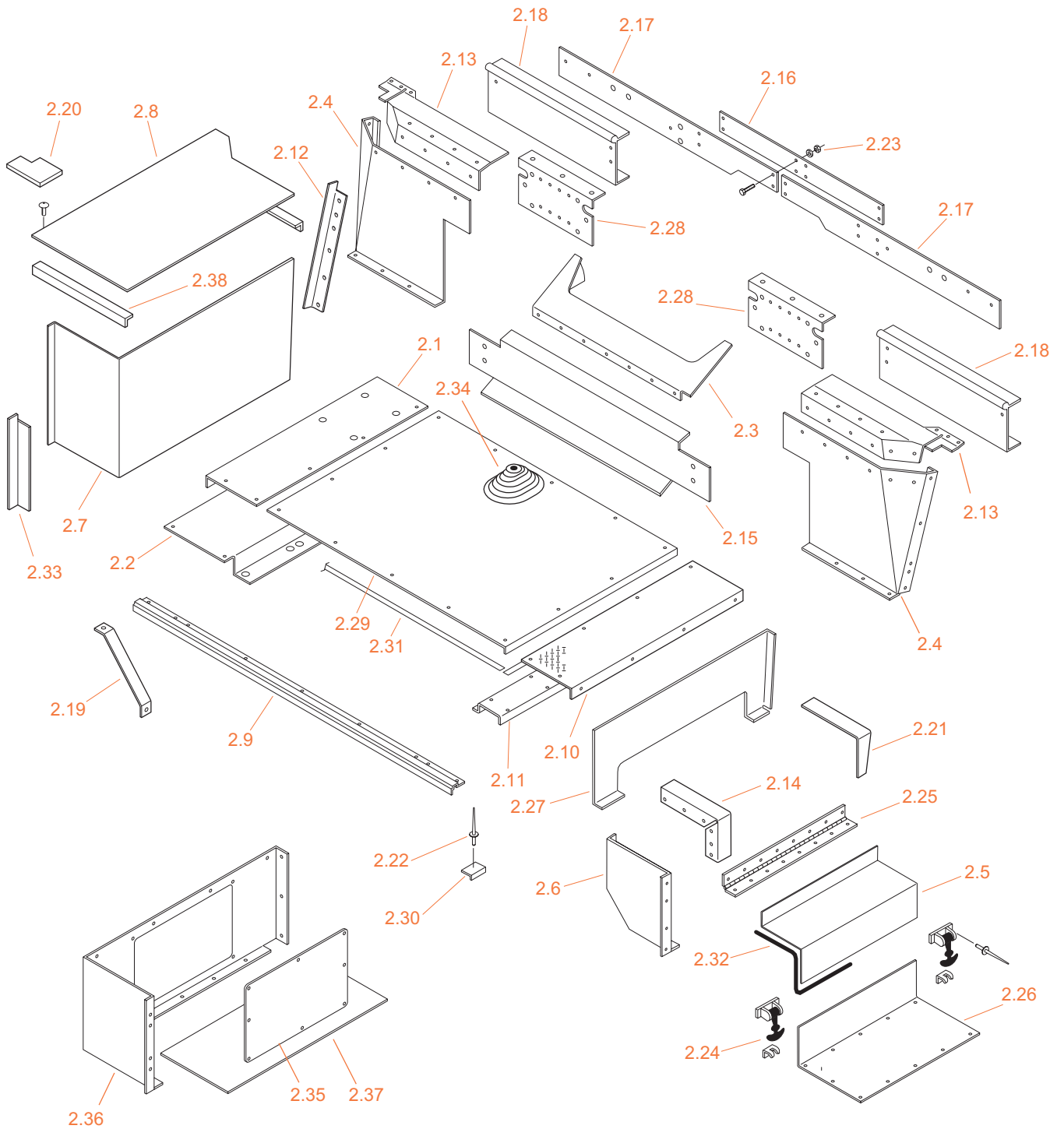
(See the Decoding Part Numbers section for Item, Part, and Description codes.)



Item	Part Number	Description
1.8		Rear Bumpers, Impact Absorbing
1.81.1	01902173-Width	BUMPER RUBBER DOCK (SPECIFY UNIT SIZE)
1.81.2	01902562	BMPR RBR DOCK HOOD GUIDE 4.5"
1.81.3	01102890	BUMPER RUBBER D 2" x 12"
1.81.4	20510155	BUMPER RUBBER DOCK 2" x 30"
1.81.5	20510672	BUMPER RUBBER DOCK 2" x 30" 45BE
1.81.6	20510708	BUMPER RUBBER DOCK 93"
1.81.7	01902861	BUMPER RUBBER DOCK 2" x 24"
1.81.8	01902635	BUMPER RUBBER DOCK 26"
1.82-L	06917212-Length	W ASHER RIBBON (SPECIFY LENGTH)
1.82-11	06921319	ALUM .063 x .88 x 11.5
1.82-29	06921320	ALUM .063 x .88 x 29.5
1.83	22813916	BACKER BMPR 7GA SPRING BUMPER
1.84	06922981	SHIM .19 x 2.00 x 6.50
1.85 LH	01902101	GUSSET SPRING BUMPER LH 7GA
1.85 RH	01902102	GUSSET SPRING BUMPER RH 7GA
1.86.1	Appendix 51231252	BUMPER 10" FITZPATRICK CHART (SPECIFY UNIT SIZE)
1.86.2	Appendix 51231196	BUMPER 12" FITZPATRICK CHART (SPECIFY UNIT SIZE)
1.87.1	22000639	BACKER 10GA x 2.5 x 18.5 2/HOLES
1.87.2	22816051	BACKER SPRG GUSSET
1.88	01903014-Width	BUMPER 10" G/STRUT SHOCK MTG (SPECIFY UNIT SIZE)
1.89	01902103-Width	BMPR WLDMT SPRING
1.90	01903015	BRKT BUMPER MNT W/SHOCK ABSORBER
1.91	22817254	SPACER BUMPER .25 x 4 x 10.5
1.92	01109251	BUMPER RR/SPRING STEEL ASY
1.93	22101903	SPRING BUMPER INNER
1.94	06916808	SHIM ALUM .375 x 2 x 48
1.95	22812471	SHIM SPG BMPR.25 x 2.5 x 4.25 2HLS
1.Ref	22813293	BUMPER PLATE 12" MOUNT FITZ
1.Ref	51231527	DOCK BUMPER ASSEMBLY REAR CHART
1.Ref	51231489	INSTALL SHOCK ABSORB BMPR CHT ALL
1.Ref	51231420	BMPR ASY RUBBER DOCK
1.Ref	51231227	BMPR SPRING SYS INSTALL #30-36
See also Utilimaster Quick Reference Parts Guide.		



2—Front Cab Floor



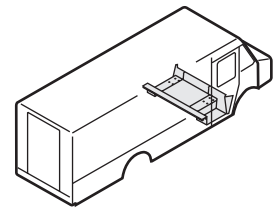
Front Cab Floor

Utilimaster, 65528 State Road 19, P.O. Box 585, Wakarusa, IN 46573-0585, U.S.A.

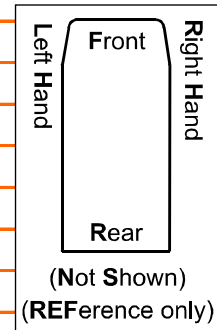
Email CustSvc@Utilimaster.com or Browse the web site www.utilimaster.com.

Call 800-237-7806 (or 574-862-3219) or Fax to 574-862-7637.

(See the Decoding Part Numbers section for Item, Part, and Description codes.)

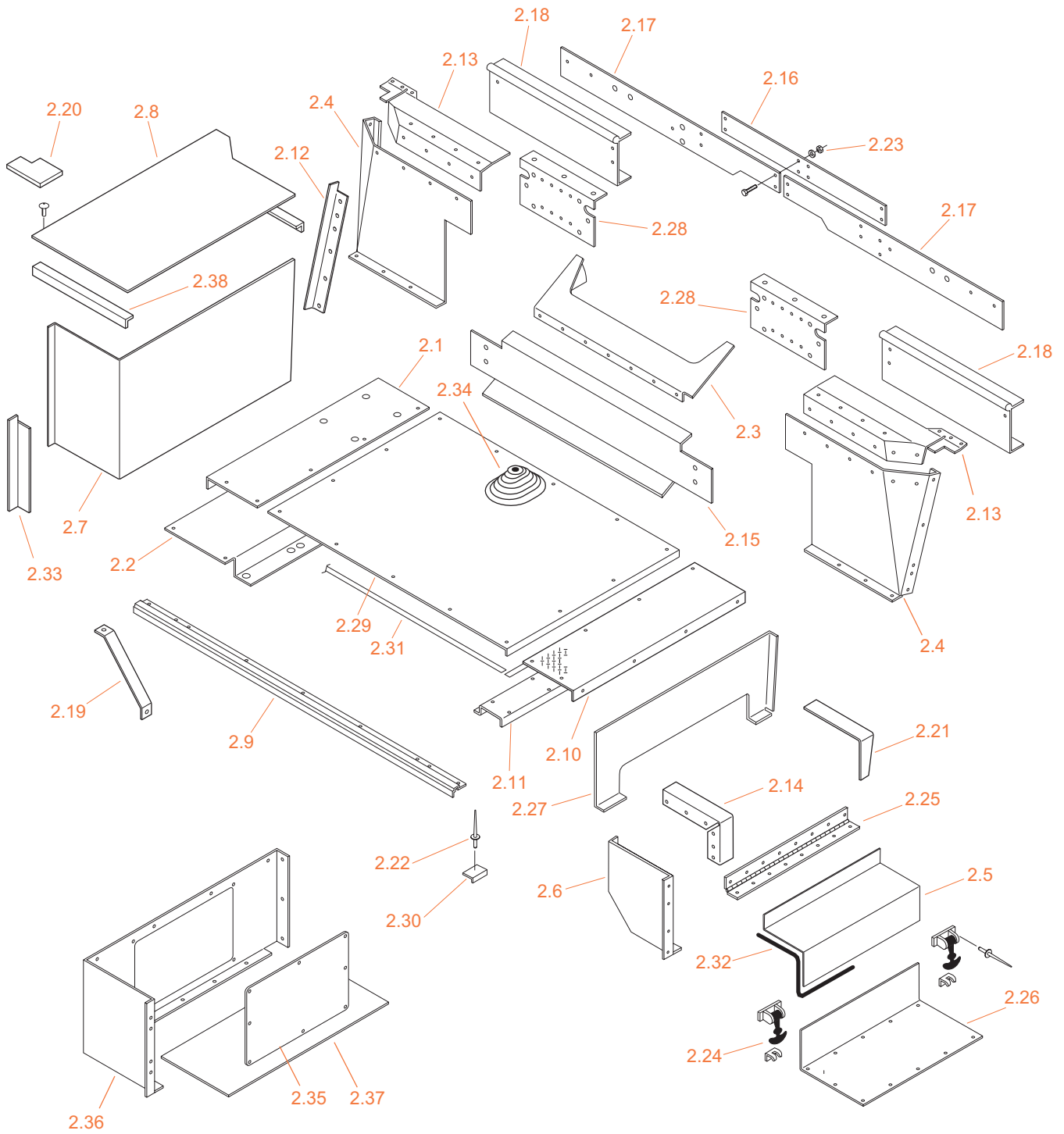


Item	Part Number	Description
2.0		FRONT FLOOR ASSY
2.1	BSNR	FLR CAB LH
2.2	22813684	SEATMOUNT LH 7GA #33
2.3	06915621	FILLER LWR ENG COVER #33
2.4.1	BSNR	SW FRT LH
2.4.2 LH	01902112-Width	SW FRT 4" LWR LH #32 33
2.4.2 RH	01902108-Width	SW FRT 4" LWR RH #32,33
2.5	BSNR	LID BAT ACC RH
2.6	BSNR	SW END RH
2.7.1	06916252-Width	SW BACK & END LH 4"LWR 32-35
2.7.2	06601728-Width	SW BACK&END LH #32,33,36
2.8.1	06900499-Width	SWELL BOTTOM T/P #32,33
2.8.2	01901960-Width	COV SWELL SLDR SMOOTH
2.8.3	01902238-Width	SW BOTTOM DRLESS #32-33
2.8.4	01901953-Width	COVER SWELL C/UP SMOOTH
2.8.5	01901962-Width	COV SWELL LH SLDR TRDPL
2.8.6	01901955-Width	COV SWELL LH C/UP TRDPL
2.9	06003895	IA7921 FRT FLR SPRT 46.75 06003895
2.10.1	06601736	FLR CAB RH SMOOTH #32-36
2.10.2	06601733	FLR CAB RH TP #32-36
2.10.3	06601732	FLR CAB RH TP W/SEAT #32-36
2.10.4	06601735	FLR CAB RH SM W/SEAT #32,33,36
2.10.5	06900534	FLR CAB RH TP W/JST #32-36
2.10.6	06916149	FLR RH SMTH W/JSEAT #32-36
2.11.1	22813685	SEATMOUNT RH 7GA #33
2.11.2	22813822	SEATMOUNT RH 4"LWR #33
2.12.1	06601812	FLANGE SWELL MNTG #32,33
2.12.2	06916161	ANGLE SWELL 4"LWR LH #32,33,35
2.13 LH	06631368	STEPWELL CAP LH #33
2.13 RH	06631367	STEPWELL CAP RH #32,33
2.14	BSNR	ANGLE FRM S/W RR RH
2.15	BSNR	COVER CROSSMEMBER
2.16	BSNR	CROSSMEMBER CENTER
2.17	BSNR	CROSSMEMBER SIDE



Continued

2—Front Cab Floor (continued)



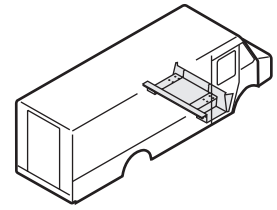
Front Cab Floor

Utilimaster, 65528 State Road 19, P.O. Box 585, Wakarusa, IN 46573-0585, U.S.A.

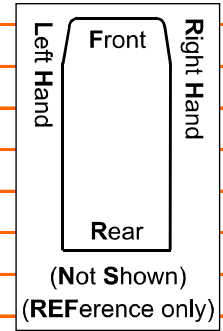
Email CustSvc@Utilimaster.com or Browse the web site www.utilimaster.com.

Call 800-237-7806 (or 574-862-3219) or Fax to 574-862-7637.

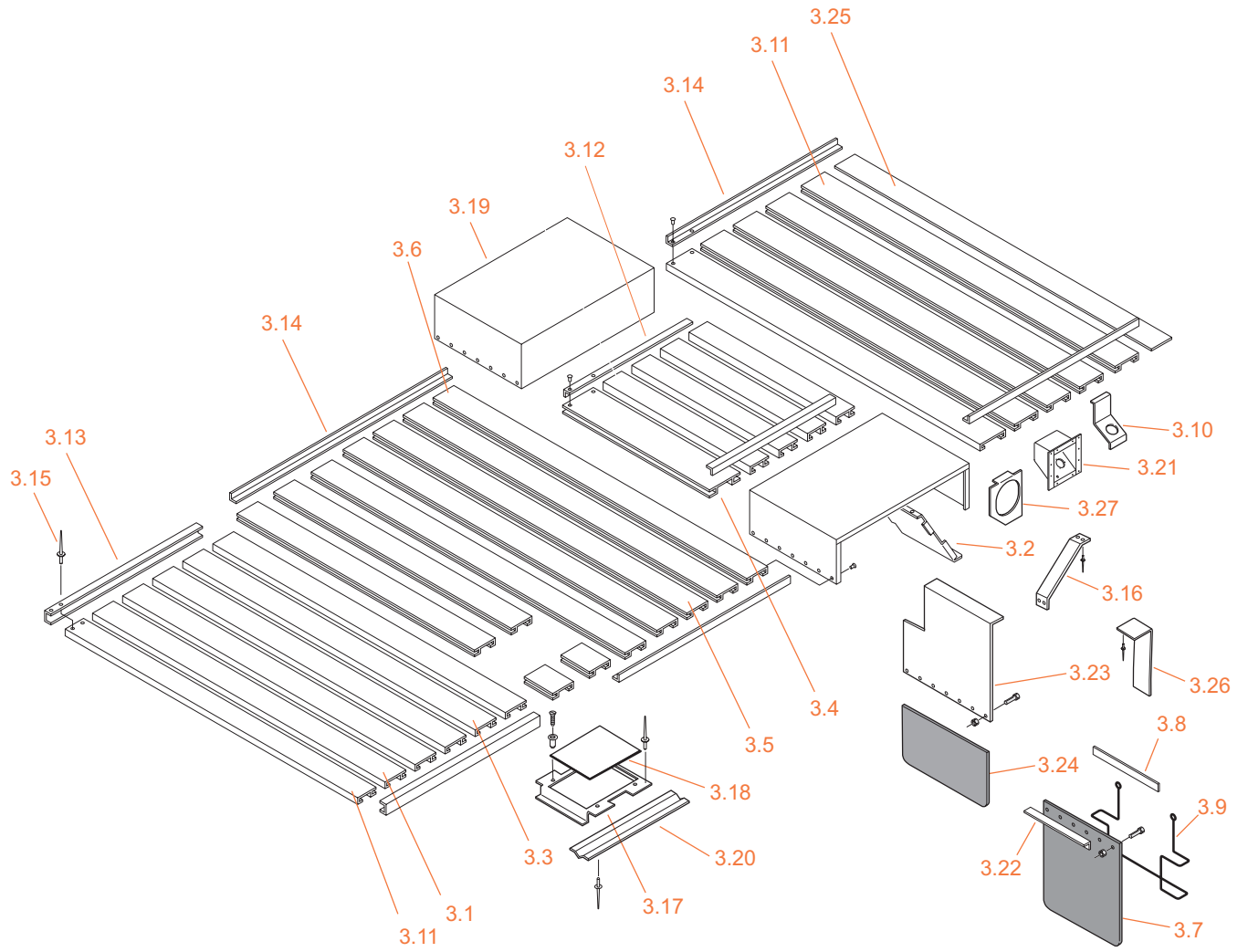
(See the Decoding Part Numbers section for Item, Part, and Description codes.)



Item	Part Number	Description
2.18	06003873-Length	IA7472 XMBR EXTR 06003873
2.19	22814258-CHART	STRAP BOSTRAM PED STL 4"LWR
2.20	06915412	TAB FILLER SWELL COVER
2.21	BSNR	ANGLE FRM S/WELL FRT RH
2.22	11400600	RIVET AVEX 3/16 x 3/8
2.23.1	11000904	NUT CTR LCK ZN WXD 3/8-16 GR5
2.23.2	11008110	WASHER 3/8 FLAT
2.23.3	11004505	BOLT HX 3/8-16 x 1 G5
2.24	08700576	HOLDOWN FLEXIBLE RUBBER
2.25	08705163	HINGE .093 x 3" x 24.75" SS PIN
2.26	BSNR	S/W BTM RH
2.27	BSNR	S/W BACK RH
2.28	BSNR	ANGLE SUPPORT
2.29	BSNR	WELDMENT XMSN COV
2.30	06003903-00200	IA5028 ANGLE 2.00 06003903
2.31	12300537	TAPE BLK 1/16 x 1" x 54'
2.32	05402183	SEAL "D" .375 x .625
2.33	06601779	FILLER PLT DD/SDN LH #32,33,36
2.34	BSNR	BOOT SHIFTER
2.35	01902402	COVER ASY BATTERY #32,33,36
2.36	01902396-Width	SWELL CHART BACK&END RH W/BAT #33
2.37	06915309-CHART	SWELL BTM CHART SMOOTH #32,33
2.38	06002050-Length	ANGLE 1.5 x 1.5 x .125
2.NS	12400712	SIKAFLEX ALUM
2.Ref	01300528-Width	SWELL ASY LH TP #32,33
2.Ref	01902642-Width	SWELL ASY LH DRLS #32 33
2.Ref	01902628-Width	SWELL ASY RH W/BAT TP 78W 32-33
2.Ref	52233279	BAT ACS LID ASSY 4" LWR CHT
2.Ref	52232840	INSTALL S/WELL BKR ANGLE 30-36
See also Sections 1 and 4.		



3—Cargo Floor



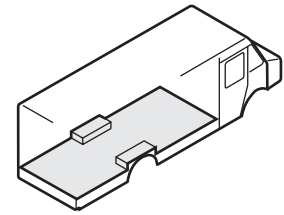
Cargo Floor

Utilimaster, 65528 State Road 19, P.O. Box 585, Wakarusa, IN 46573-0585, U.S.A.

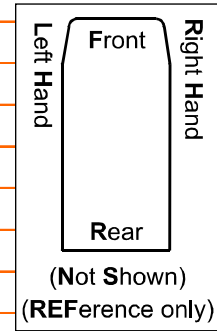
Email CustSvc@Utilimaster.com or Browse the web site www.utilimaster.com.

Call 800-237-7806 (or 574-862-3219) or Fax to 574-862-7637.

(See the Decoding Part Numbers section for Item, Part, and Description codes.)

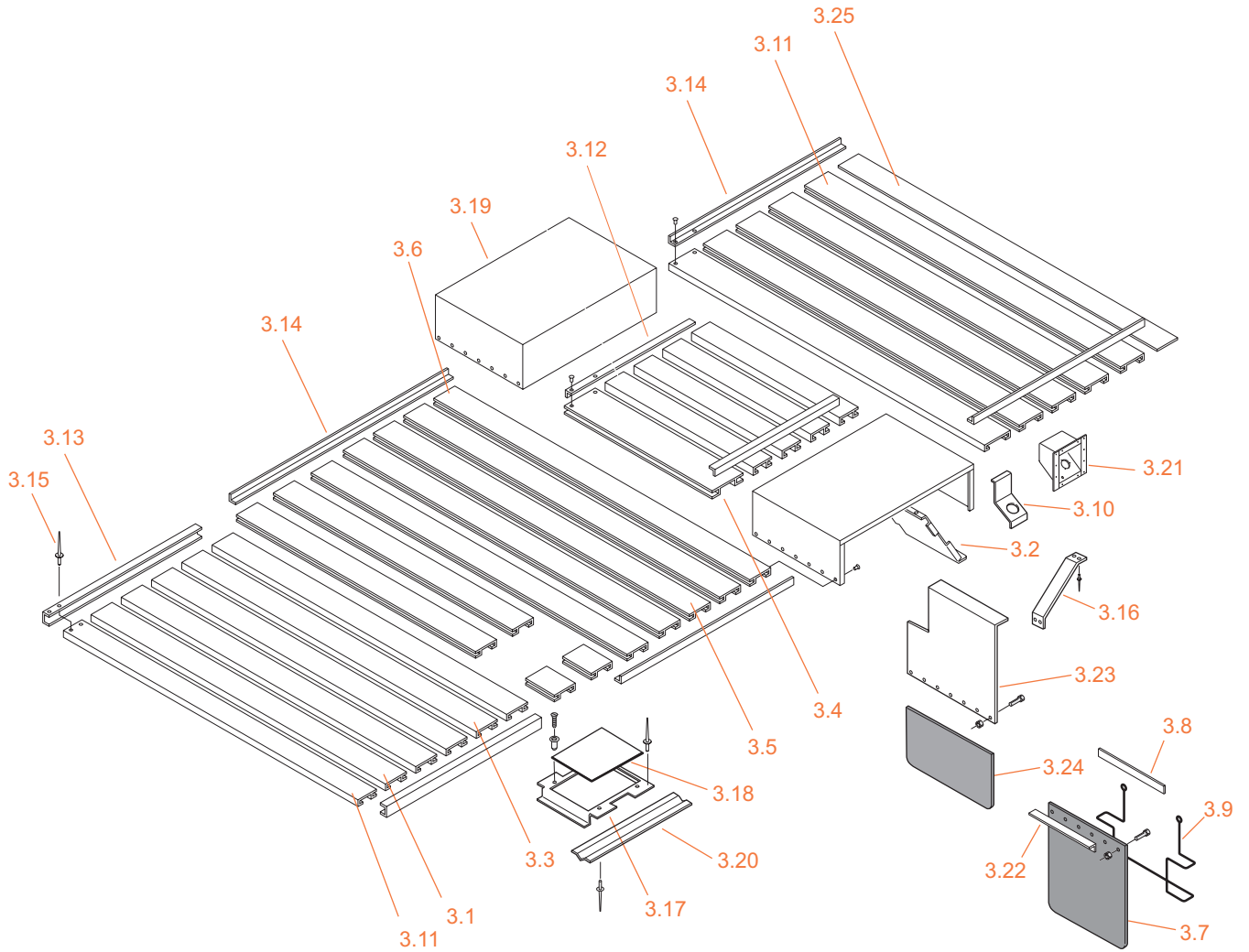


Item	Part Number	Description
3.0		FLOOR ASSY
3.1.1	06003884-09331	AE 6" FLOOR 93.31 06003884
3.1.2	06000738-09044	AE 6" FL RIBBED 90.44 06000738
3.2.1	06918163-Width	SHIELD FUEL FILL
3.2.2	06601841-Width	SHIELD FUEL FILL LH
3.2.3	06919045-Width	GUARD SPLASH RH
3.2.4	06919220-Width	GUARD SPLASH LH
3.2.5	06915254-Width	SHIELD SPLASH HD LH
3.2.6	06919046-Width	GUARD SPLASH RH HD #33,36
3.2.7	06601821	**SHLD GAS FILL LOPRO #33 ,36
3.3.1	06003886-09331	IA 7852 8"FLR 93.31 06003886
3.3.2	06000740-09331	AE 8" FLOOR RIBBED 93.31 06000740
3.4.1	06003888-05050	IA 7854 DM FLR 50.50 06003888
3.4.2	06000742-05806	AE DM FLR RIBBED 58.06 06000742
3.5.1	06003885-09331	AE 7" FLOOR 93.31 06003885
3.5.2	06000739-09331	AE 7" FL RIBBED 93.31 06000739
3.6.1	06003887-09331	IA 7853 WW FLR 93.31 06003887
3.6.2	06000741-09331	AE WW FLR RIBBED 93.31 06000741
3.7	01505069	M/FLAP 18 PLAIN
3.8	22000724	PLATE 12GA x 1.5 x 17 HLS
3.9	01520043	ANTI SAIL BRKT
3.10	BSNR	BRKT MNTG FUEL FILL
3.11.1	06003889-09331	IA 7855 SF FLOOR 93.31 06003889
3.11.2	06000743-09331	AE ST/FIN RIBBED 93.31 06000743
3.12	06002048-Length	IA 3299 ANGLE 06002048
3.13	06000185-03950	AE DP/FLOOR 39.50 06000185
3.14	06002049-Length	IA 2072 ANGLE 06002049
3.15	11400024	MAGNA-LOCK 1/4" STL
3.16	BSNR	BRACE MUD FLAP
3.17	06916677	BRKT FUEL SENDING UNIT



Continued

3—Cargo Floor (continued)



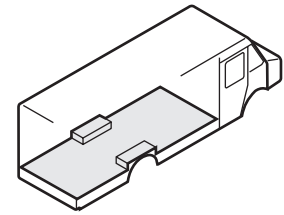
Cargo Floor

Utilimaster, 65528 State Road 19, P.O. Box 585, Wakarusa, IN 46573-0585, U.S.A.

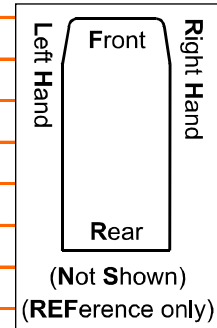
Email CustSvc@Utilimaster.com or Browse the web site www.utilimaster.com.

Call 800-237-7806 (or 574-862-3219) or Fax to 574-862-7637.

(See the Decoding Part Numbers section for Item, Part, and Description codes.)

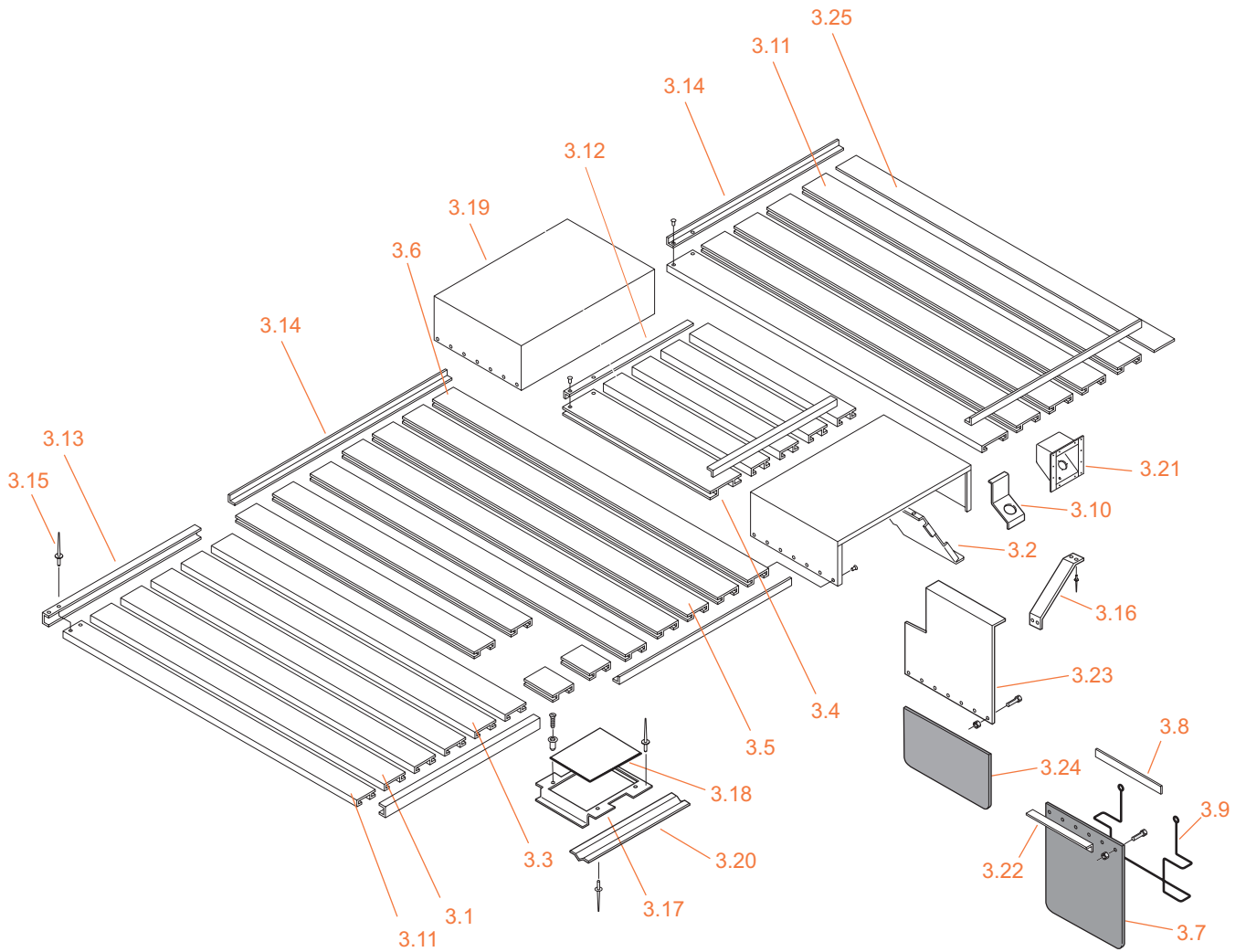


Item	Part Number	Description
3.18.1	52232787	COVER WLDMT ACCESS
3.18.2	52232801	COVER TP ACCESS ASSY #30, 32, 35
3.18.3	52233144	COVER WLDMT FUEL SNDG ACS
3.18.4	52233209	** COVER WLDMT FUEL ACCESS
3.18.5	52232770	** COVER ASSY TPLT ACCESS #33
3.18.6	06922285	COVER TREADPLATE ACCESS
3.18.7	06915263	**SPACER FUEL ACCESS COVER #33
3.18.8	06915262	**COV ACCESS FUEL TANK #33
3.19.1	01902803	WHEEL WELL ASY LOPRO (6.44) 93.5W
3.19.2	01902763-Width	WLDMT WHEELWELL 1-PC .080 STD
3.19.3	01902609-Width	WLDMT W/WELL 1-PC .080 WIDE AISL
3.19.4	01902381-Width	W/W WLDMT WIDE AISLE #32
3.19.5	01902571-Width	W/W WLDMT W/SNGL RR WHL
3.19.6	01901969-Width	W/W HEAVY DUTY #30-36
3.19.7	01903058-Width	WELDMENT, WHEELWELL 1 PC SPECIAL
3.19.8	01903126-Width	WELDMENT WHEELWELL 1 PC W/DUAL W
3.20	22814663	BRACE FUEL FILL ACCESS
3.21	BSNR	WLDMT DISH FUEL FILL
3.22	22100829	BRKT MUD FLAP
3.23.1 LH	06920826	BACKER MUD FLAP LH W/SIDE FUEL
3.23.2 LH	06919042	BCKR MUD FLAP LH DLR-WHL #33
3.23.1 RH	BSNR	BACKER MUD FLAP RH
3.23.2 RH	06919043	BCKR MUD FLAP RH DLR-WHL #33
3.23.3 LH	06921064	BACKER MUD FLAP LH 8.19 x 16
3.23.3 RH	06921065	BACKER MUD FLAP RH 8.19 x 16
3.24.1	01901684	MUDFLAP SRW 11-3/8 x 12 PLAIN
3.24.2	01800117	MUDFLAP 12 x 18 PLAIN POLY STD
3.25.1	06502878-Width	FLOOR FILLER 9.5"
3.25.2	06502876-Width	FLOOR FILLER 5.5"
3.25.3	06502875-Width	FLOOR FILLER 4.5"
3.25.4	06922077-Width	FLR FILLER RIB 5.5" 06000842
3.25.5	06922080-Width	FLR FILLER RIB 4.5" 06000843
3.25.6	06915363-Width	FILLER PLATE 6.5"
3.26	06918478	SUPPORT MUD FLAP BKR DRW 33,36
3.27.1	06918413	BRKT MNTG FUEL FILL '98 #33
3.27.2	06601845	**BRKT FUEL ACC MOUNT #33



Continued

3—Cargo Floor (continued)



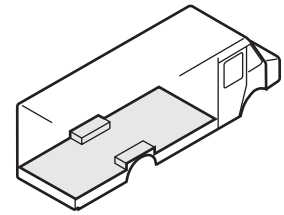
Cargo Floor

Utilimaster, 65528 State Road 19, P.O. Box 585, Wakarusa, IN 46573-0585, U.S.A.

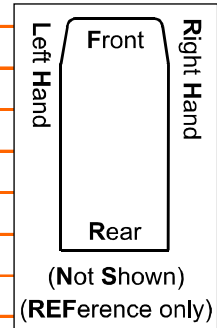
Email CustSvc@Utilimaster.com or Browse the web site www.utilimaster.com.

Call 800-237-7806 (or 574-862-3219) or Fax to 574-862-7637.

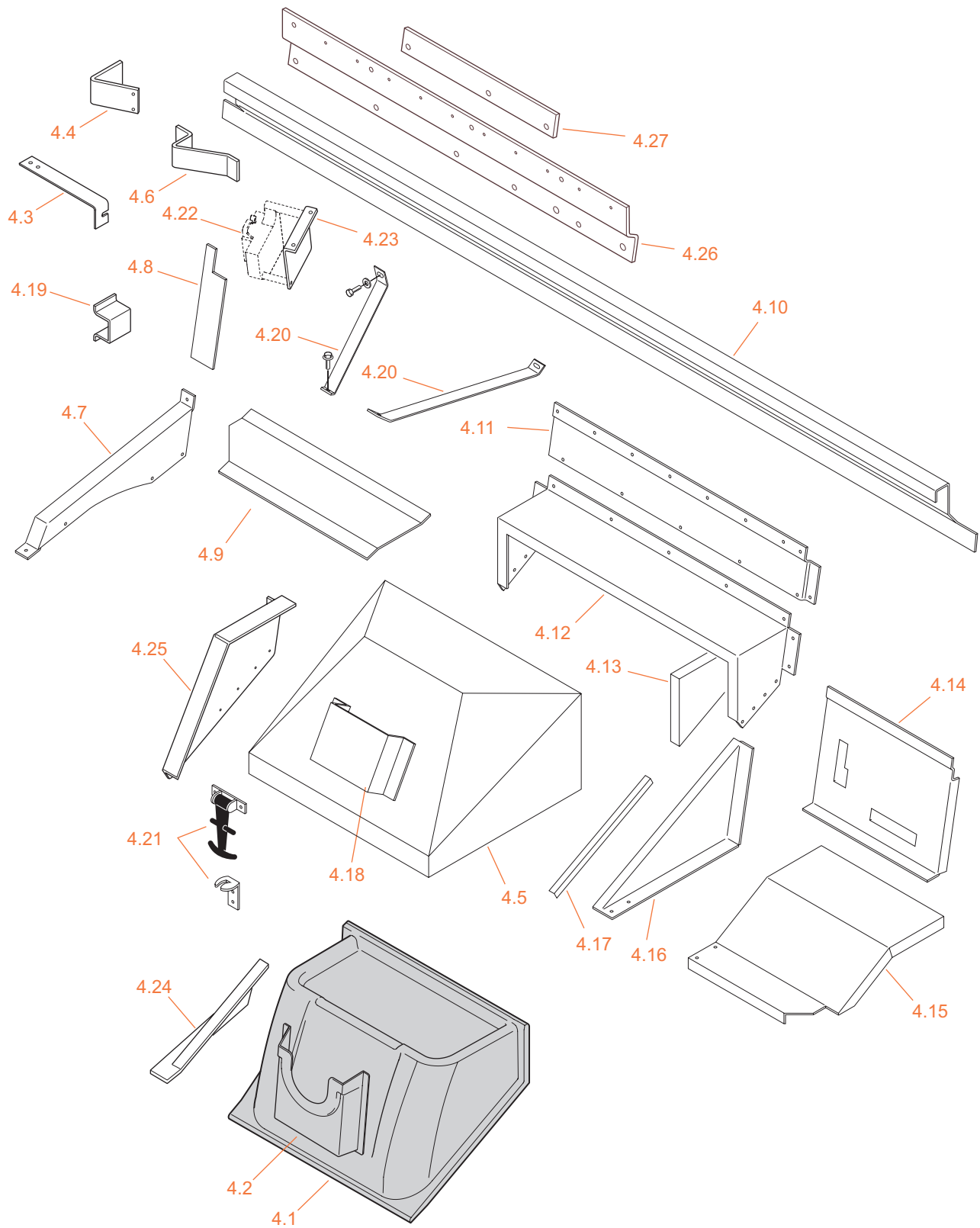
(See the Decoding Part Numbers section for Item, Part, and Description codes.)



Item	Part Number	Description
3.NS	06901003	TRDPL .100 x 48 x 96
3.NS	12300537	TAPE BLK 1/16 x 1" x 54'
3.NS	12300840	TAPE BUTYL 1/8 x 1-1/4 50' ROLL
3.NS	12301749	TAPE BLACK BTYL 1/16 x 1"
3.NS	12303705	TAPE VINYL 3" WHITE
3.NS	20510240-Length	POLYSTYRENE INSUL 1.50 x L x 96
3.NS	20510241-Length	POLYSTYRENE INSUL 1.25 x L x 96
3.Ref	06919765-CHART	CUTOUT 8" RIB FLR PLANK
3.Ref	52232698	COV ASY ACS FUEL TANK SMO #33
3.Ref	52232739	FLR OVERLAY CHRT 93.5W STD ALL
3.Ref	52232792	FLOOR INSULATION INSTALL A&B
3.Ref	52233013	MUD FLAP INSTALL CHART #33
3.Ref	52233181	** COVER ACCESS ASSY TREADPLATE
3.Ref	64236329	FUEL FILL INSTALL 98 #33
See also Section 15.		



4—Cowling



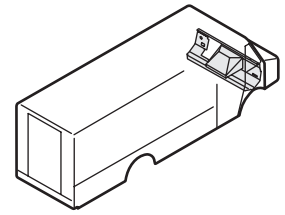
Cowling

Utilimaster, 65528 State Road 19, P.O. Box 585, Wakarusa, IN 46573-0585, U.S.A.

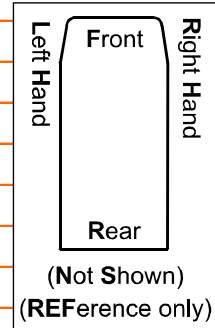
Email CustSvc@Utilimaster.com or Browse the web site www.utilimaster.com.

Call 800-237-7806 (or 574-862-3219) or Fax to 574-862-7637.

(See the Decoding Part Numbers section for Item, Part, and Description codes.)

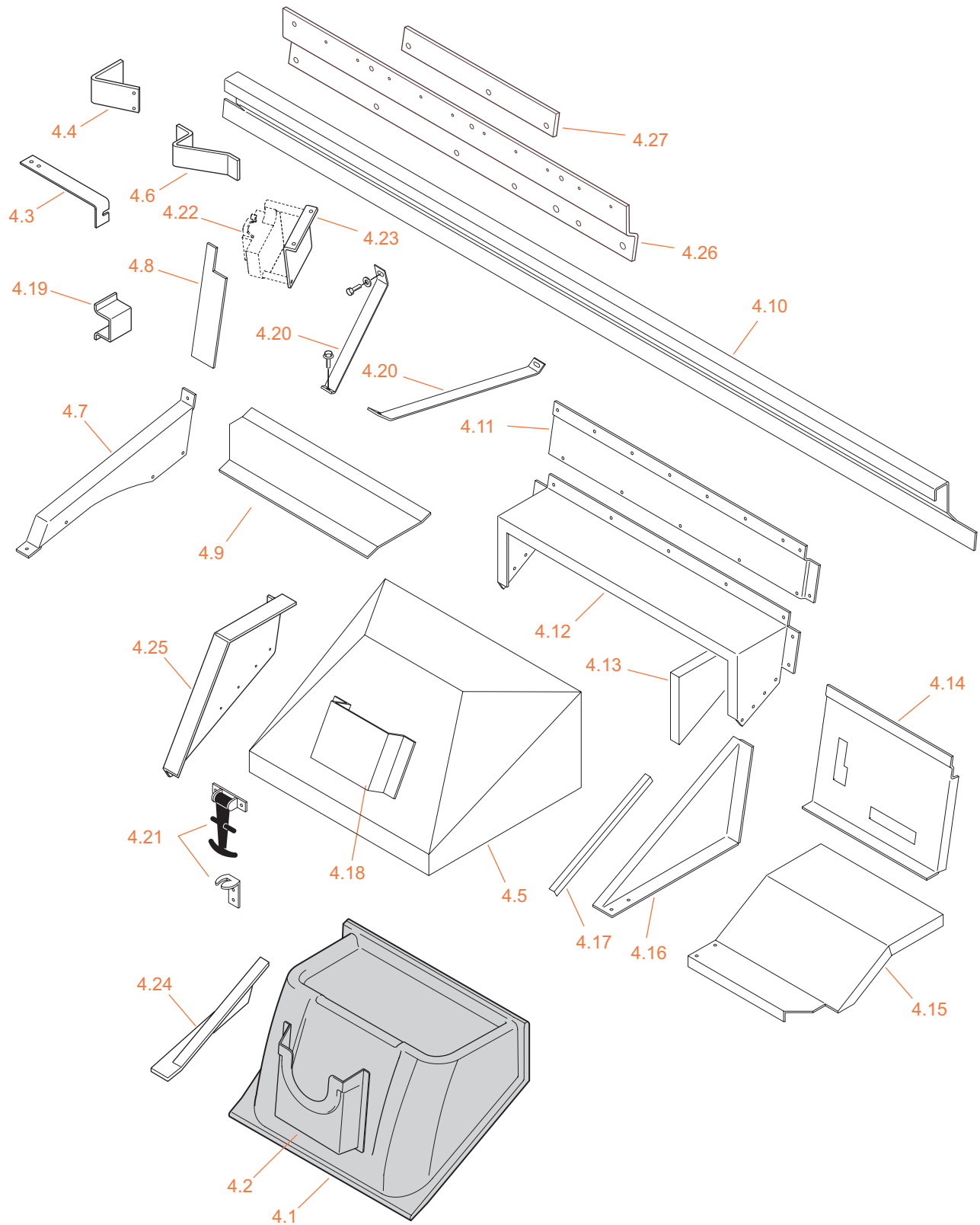


Item	Part Number	Description
4.0		COWL ASSY GM/WH #33
4.1-G	20510394	ENGINE COVER ASY F/GLS GAS #33
4.1-D	20510399	ENGINE COVER ASY F/GLS DSL #33
4.1.1	08610731	KNOB ENG CVR #33
4.1.2	20510398	SOUND DNR ENG COV DSL F/GLS #33
4.2	20510333	HOLDER FORMS
4.3.1	22814481	STIFFENER PRKNG BRK 78.5W
4.3.2	06917894	STFNR FT PRK BRK 78.5 W/O/VT
4.3.3	22814353-Width	STIFFNER FT PARK BRK #33
4.4.1	22814480	BRKT FT PRKNG BRK 78.5W W/VENT
4.4.2	22814405	BRKT FOOT PARKING BRAKE 78.5W
4.5	06924609	WELDMENT ENGINE COVER #33 (Replaces 06917026)
4.6.1	22817101	BACKET PARK BRAKE 86.5/93.5 #33
4.6.2	22814354	** BRKT PRKG BRK 86.5/93.5 #33
4.7	06601669	FLR FILLER LH
4.8.1	06922270-Width	COWL METAL LH #33
4.8.2	06918020-Width	**COWL LH SECTION
4.8.3	06917784	**COWL METAL LH 78.5W #33
4.9	06916819-Width	RISER FLR LH
4.10.1	06922204-CHART	CHANNEL UPPER COWL #33
4.10.2	06601432-CHART	** CHANNEL UPPER COWL #33
4.11	06601433	COWL CTR #33
4.12	06601429	COV ENGINE TOP FIXED
4.13	20510267	SOUND DEADENER, DIESEL (24 Square Feet Required)
4.14.1	06922267-Width	COWL METAL RH W/O A/C #33
4.14.2	06601739-Width	** COWL METAL RH W/AC #33
4.14.3	06601614-Width	** COWL METAL, RH #33
4.14.4	06922268-Width	** COWL METAL RH W/AC #33
4.15	06601434-Width	RISER FLR RH
4.16	06601431	COVER ENGINE RH FIXED
4.17	12300510	WEATHERSTRIP 3/8 x 3/4 25.25"
4.18	06917886	HOLDER DOCUMENT
4.19	22814358	BRKT PARKING BRAKE 78.5W
4.20 LH	22817169	BRKT STRG COL TO COWL LH #33
4.20 RH	22814445	BRKT STRG COL TO COWL RH #33



Continued

4—Cowling (continued)



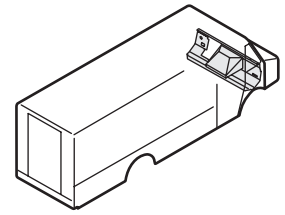
Cowling

Utilimaster, 65528 State Road 19, P.O. Box 585, Wakarusa, IN 46573-0585, U.S.A.

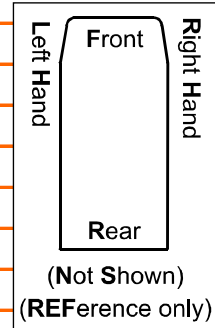
Email CustSvc@Utilimaster.com or Browse the web site www.utilimaster.com.

Call 800-237-7806 (or 574-862-3219) or Fax to 574-862-7637.

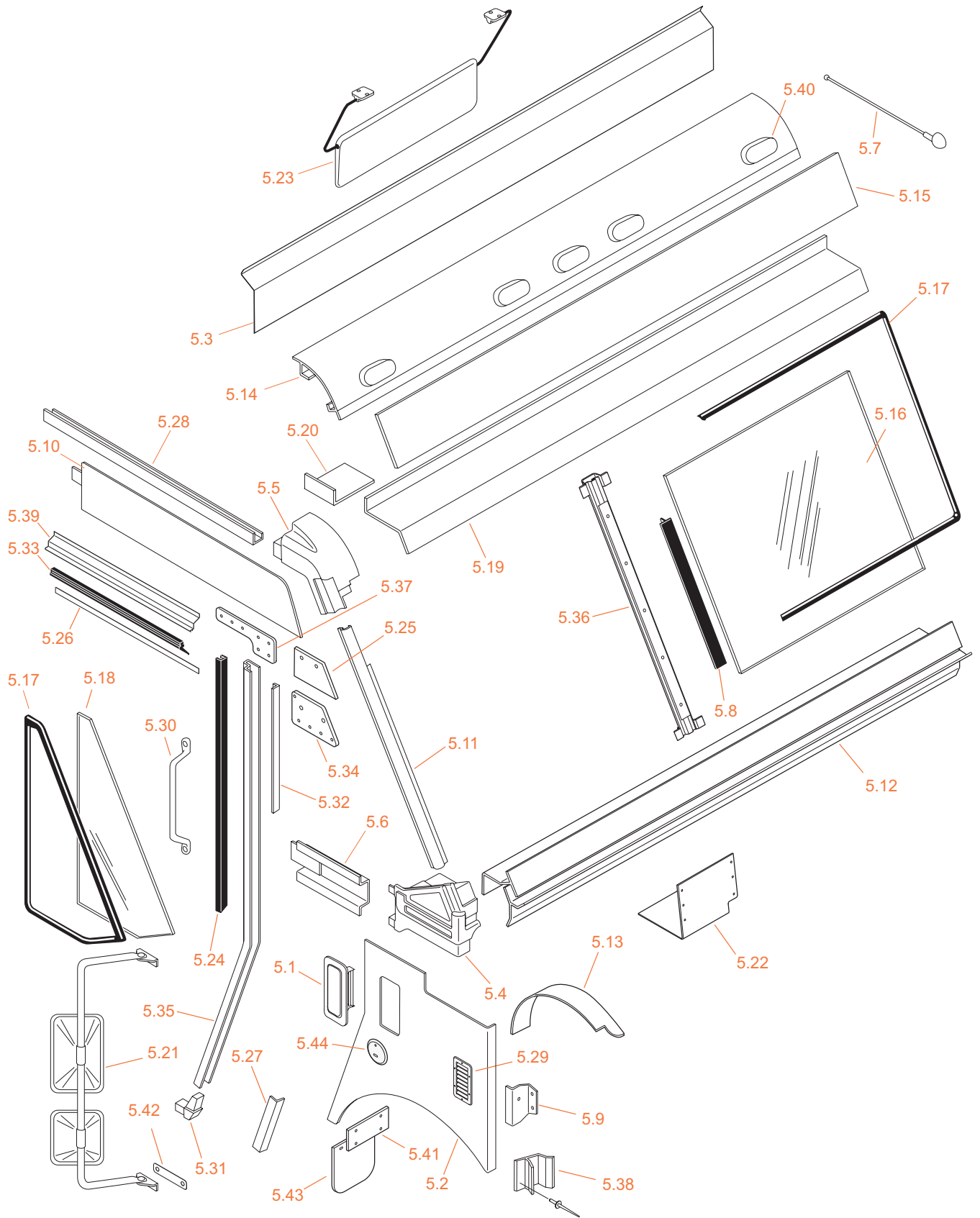
(See the Decoding Part Numbers section for Item, Part, and Description codes.)



Item	Part Number	Description
4.21	08700570	LATCH ENGINE COV
4.22	06924980	SUPPORT CONVENIENCE CENTER
4.23	Chassis Supplied	WH CONVENIENCE CENTER (Reference Only)
4.24	06918343	COVER FIXED ENG LH FIBERGLASS ENG CVR #33
4.25	06601825	COVER ENG LH FIXED ALLISON TRANS #33
4.26	22817166	BRACE DASH/TOE PANEL
4.27	06923243	REINFORCING PLATE STEERING ISLAND
4.NS	05302312	TRIM LOK 1/16"
4.Ref	54232955	INSTALLATION FUSEBLOCK SUPPORT #33
4.Ref	54232773	PARKING BRAKE INSTALL CHART
	See also Sections 1 and 2.	



5—Front Structure



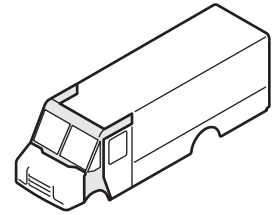
Front Structure

Utilimaster, 65528 State Road 19, P.O. Box 585, Wakarusa, IN 46573-0585, U.S.A.

Email CustSvc@Utilimaster.com or Browse the web site www.utilimaster.com.

Call 800-237-7806 (or 574-862-3219) or Fax to 574-862-7637.

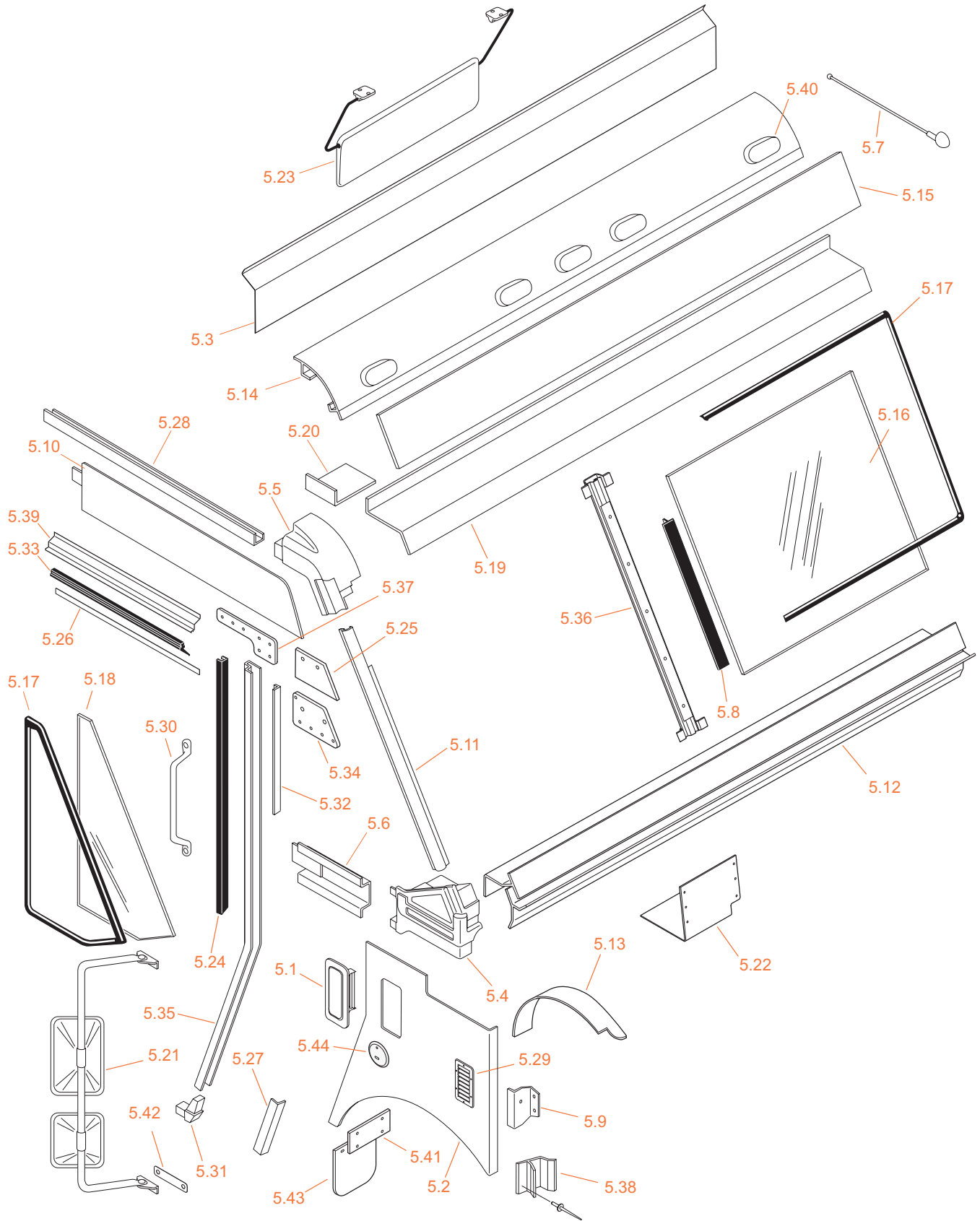
(See the Decoding Part Numbers section for Item, Part, and Description codes.)



Please note that the front structure construction changed in model year 2000.			
Item	Previous No.	Current No.	Description
5.0			FRONT STRUCTURE ASSY
5.1		07100165	VENTILATOR 2-WAY ALUM
5.2		Appendix 54000000	QUARTER PANEL
5.3		BSNR	COVER O/H STORAGE Width
5.4.1 LH	06800097	06800121	CASTING COWL LH W/LOGO #30-36
5.4.1RH	06800096	06800122	CASTING COWL RH W/LOGO #30-36
5.4.2 LH	NA	06800121-Blank	CASTING COWL W O/LOGO LH
5.4.2 RH	NA	06800122-Blank	CASTING COWL W O/LOGO RH
5.5 LH		06800092	CASTING FRT ROOF LH
5.5 RH		06800093	CASTING FRT ROOF RH
5.6.1 LH	06917279-CHART	06921078-CHART	STIFFENER ASY QTR PANEL
5.6.1 RH	06917279-CHART	06921134-CHART	STIFFENER ASY QTR PANEL
5.6.2 LH	06921049-CHART	06921210	STIFFENER ASY QTR PANEL LH (Keyless)
5.6.2 RH	06921050-CHART	06921209	STIFFENER ASY QTR PANEL RH (Keyless)
5.7		16512491	ANTENNA FLEXIBLE 16"
5.8		09300504	MOLDING-T WINDSHIELD 1.5"
5.9		06601730	BRKT HD GAS CYL MNT
5.10.1 LH		06601604	HEADER METAL LH 81H #30-36
5.10.1 RH		06601605	HEADER METAL RH 81H #30-36
5.10.2 LH		06918153	HEADER METAL LH 81H W/VENT
5.10.3 LH		06918153	** HEADER MTL LH 81H W/VNT #31,35
5.10.4 LH		06601470	HEADER METAL LH 85H #30-36
5.10.4 RH		06601469	HEADER METAL RH 85H #30-36
5.10.5 LH		06601602	HEADER METAL LH 73H #30-36
5.10.5 RH		06601603	HEADER METAL RH 73H #30-36
5.10.6 LH		06923439	HEADER MTL LH 81H W/VNT #30-36
5.11 LH	06012416-Length	06921113-Length	IAH1965 POST LH WS 06000748
5.11 RH	06012417-Length	06921114-Length	IAH1965 POST RH WS 06000748
5.12-1	06003865-Length	06000837-Length	COWLING CHANNEL
5.12-2		06003864-Length	IA9342 CAP 06000847
5.13.0		06601686-Width	FENDER INR LH
5.13.1		05302302	TRIM LOCK BLK 1/8" W/ALUM INST

Continued

5—Front Structure (continued)



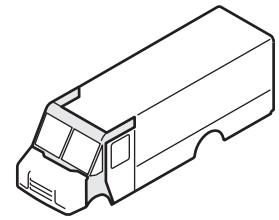
Front Structure

Utilimaster, 65528 State Road 19, P.O. Box 585, Wakarusa, IN 46573-0585, U.S.A.

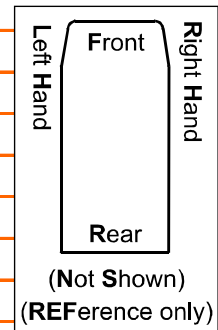
Email CustSvc@Utilimaster.com or Browse the web site www.utilimaster.com.

Call 800-237-7806 (or 574-862-3219) or Fax to 574-862-7637.

(See the Decoding Part Numbers section for Item, Part, and Description codes.)

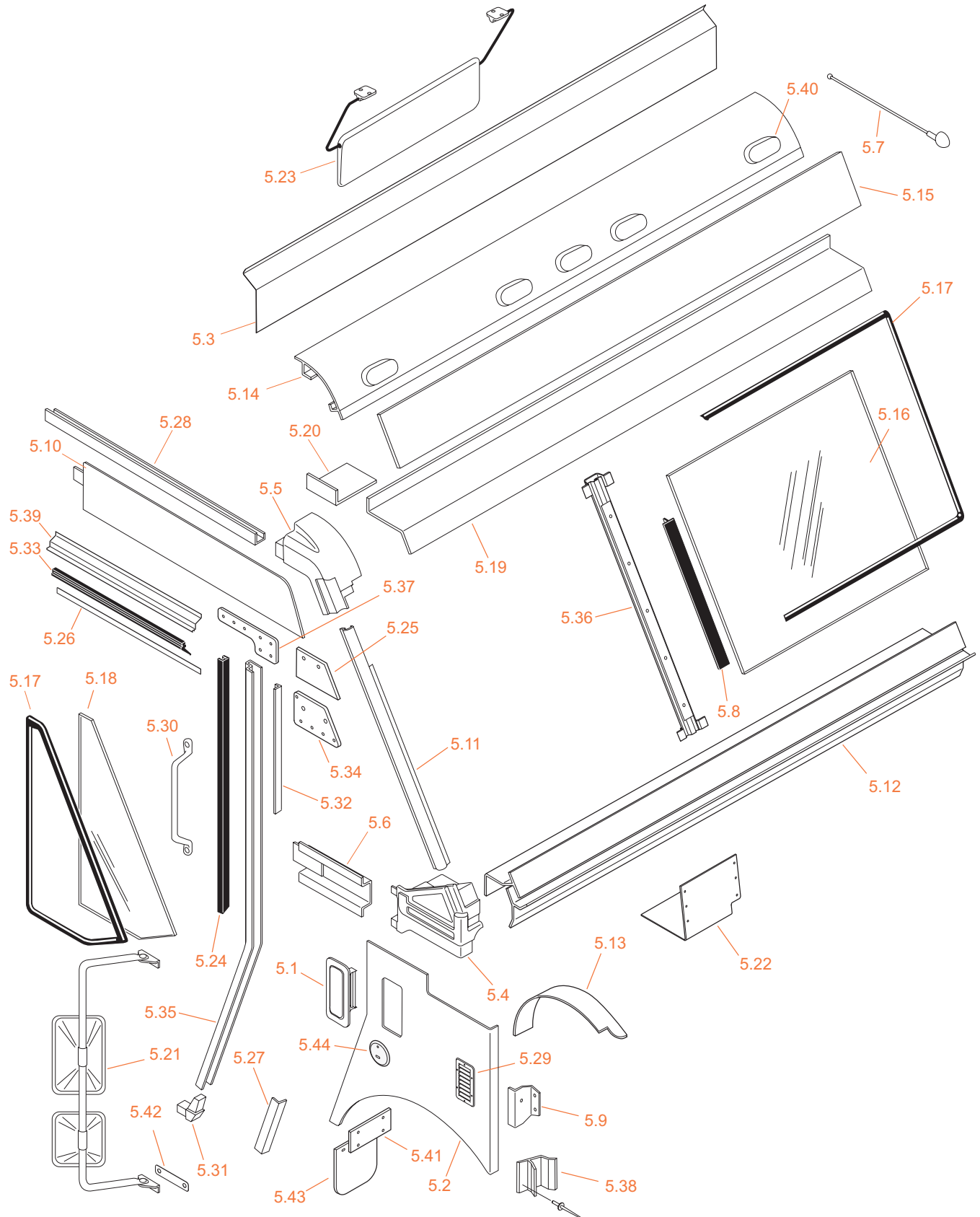


Please note that the front structure construction changed in model year 2000.			
Item	Previous No.	Current No.	Description
5.14	06000774-Length		IA9177 ROOFCAP 06000774
5.15.1	06502660		HEADER WINDSHIELD 93.5x73
5.15.2	06920084		HDR POS PRESS 86.5Wx81H
5.15.3	06502656		HEADER WINDSHIELD 93.5x85
5.15.4	06502658		HEADER WINDSHIELD 78.5x73
5.15.5	06502659		HEADER WINDSHIELD 86.5x73
5.15.6	06502661		HEADER WINDSHIELD 78.5x81
5.15.7	06502662		HEADER WINDSHIELD 86.5x81
5.15.8	06502663		HEADER WINDSHIELD 93.5x81
5.15.9	06502665		HEADER WINDSHIELD 86.5x85
5.15.10	06502953		HEADER WINDSHIELD 93.5x81
5.15.11	06502954		HEADER WINDSHIELD 93.5x85
5.15.12	06919264		HDR POS PRESS WINDSHIELD #32 #33
5.16.1	09801350		GLASS WSHLD W/TNT 2PC SHD BAND
5.16.2	09801351		GLASS WSHLD N/TINT 1PC 78.5W
5.16.3	09801349-Width		GLASS WSHLD N/TINT 2PC
5.17	05705483		MOLDING WIDE BONDED GLASS 1" L
5.18 LH	09801354		GLASS LH QTR WDW BONDED
5.18 RH	09801360		GLASS RH QTR WDW BONDED
5.19.1	06601464-Width		** WINDSHIELD STIFFNER
5.19.2	06916523-Width		STIFFENER WINDSHIELD HEADER
5.19.3	06922031-Width		STIFFENER WINDSHIELD HEADER
5.19-93	NA	06921932	STIFFENER WINDSHIELD 93.5W
5.19-86	NA	06921933	STIFFENER WINDSHIELD 86.5W
5.19-78	NA	06921934	STIFFENER WINDSHIELD 78.5W
5.20	06601844		BRKT SHELF TO HEADER
5.21.01 LH	08610411		** MIRROR KIT LH S/STEEL
5.21.01 RH	08610412		** MIRROR KIT RH S/STEEL
5.21.02 LH	08610407		** MIRROR KIT LH WHITE
5.21.02 RH	08610408		** MIRROR KIT RH WHITE
5.21.03 LH	08610409		** MIRROR KIT LH BLACK
5.21.03 RH	08610410		** MIRROR KIT RH BLACK



Continued

5—Front Structure (continued)



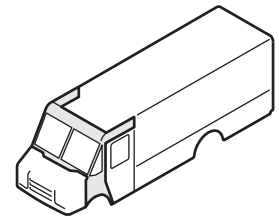
Front Structure

Utilimaster, 65528 State Road 19, P.O. Box 585, Wakarusa, IN 46573-0585, U.S.A.

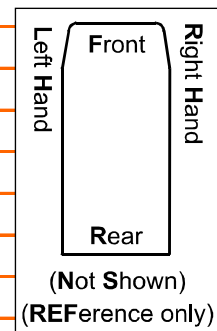
Email CustSvc@Utilimaster.com or Browse the web site www.utilimaster.com.

Call 800-237-7806 (or 574-862-3219) or Fax to 574-862-7637.

(See the Decoding Part Numbers section for Item, Part, and Description codes.)



Please note that the front structure construction changed in model year 2000.			
Item	Previous No.	Current No.	Description
5.21.04 LH		08610914	MIRROR ASSY LH 6 x 16" RE-TRAC
5.21.04 RH		08610911	MIRROR ASSY RH 6 x 16" RE-TRAC
5.21.05		08610913	MIRROR CONVEX SPT 5.5 x 4"
5.21.06		08610428-CHART	MIRROR LOOPS S.STEEL
5.21.07		08610206	MIRROR HEATED SS WEST COAST
5.21.08		08706371	MIRROR 7x16 WEST COAST
5.21.09		08700092	MIRROR TWIST CLAMP KIT
5.21.10		08611289	MIRROR SIDE HEATED SS 6.5 x 6
5.21.11		08611336	MIRROR CLAMP KIT 3/4" OD TUBE
5.22		06601770	BRKT BTL O/FLOW RAD
5.23		13672250	SUNVISOR 8 x 28 / 9" ARM BLK VNL
5.24		05705475	SEAL QUARTER POST
5.25	06917278	06921077	MOUNT UPPER QTR WDO
5.26		06601704	FILLER UPR DR SEAL
5.27.1 LH		06601467	LEG QTR METAL LH
5.27.2 LH		06601780	LEG QTR PANEL LH 4"LWR #33
5.27.1 RH		06601468	LEG QTR METAL RH
5.27.2 RH		06601781	LEG QTR PANEL RH 4"LWR #33
5.28		06012473	AE TRACK 76.50 06000645
5.29	See Heater Section		LOUVER ASSY ABS
5.30.1		08704342	HANDLE GRAB OFFSET
5.30.2		08704347	HANDLE ALUM GRAB
5.30.3		08704354	HANDLE GRAB ANODIZED
5.31		06800090	CASTING DR/STEPWELL 18*
5.32		06601707	GUARD WIRE A-PILLAR
5.33		05402172	SEAL DOOR 39" 05402151
5.34	22813194	22816539	GUSSET 1/4 POST TO WINDSHIELD
5.35.1 LH		06921290	POST QTR LH SLDR W/4"LWR
5.35.1 RH		06915770	QR PST RH 4" LWR 06000260
5.35.2 LH		06012412	QTR POST LH #32,33 06000260
5.35.2 RH		06012413	QTR POST RH #32,33 06000260
5.35.3 LH		06014435	QTR POST LH DD #32-33 06000260
5.35.3 RH		06014436	QTR POST RH DD #32-33 06000260
5.35.3 RH		06923155	QTR POST LH 4 LWR 32-35 HNSN 06000260



Continued

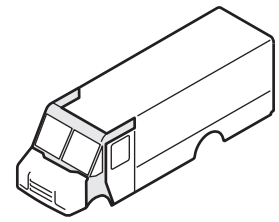
Front Structure

Utilimaster, 65528 State Road 19, P.O. Box 585, Wakarusa, IN 46573-0585, U.S.A.

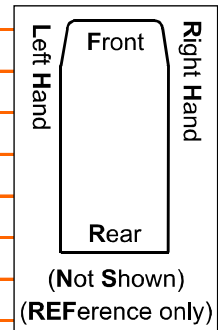
Email CustSvc@Utilimaster.com or Browse the web site www.utilimaster.com.

Call 800-237-7806 (or 574-862-3219) or Fax to 574-862-7637.

(See the Decoding Part Numbers section for Item, Part, and Description codes.)

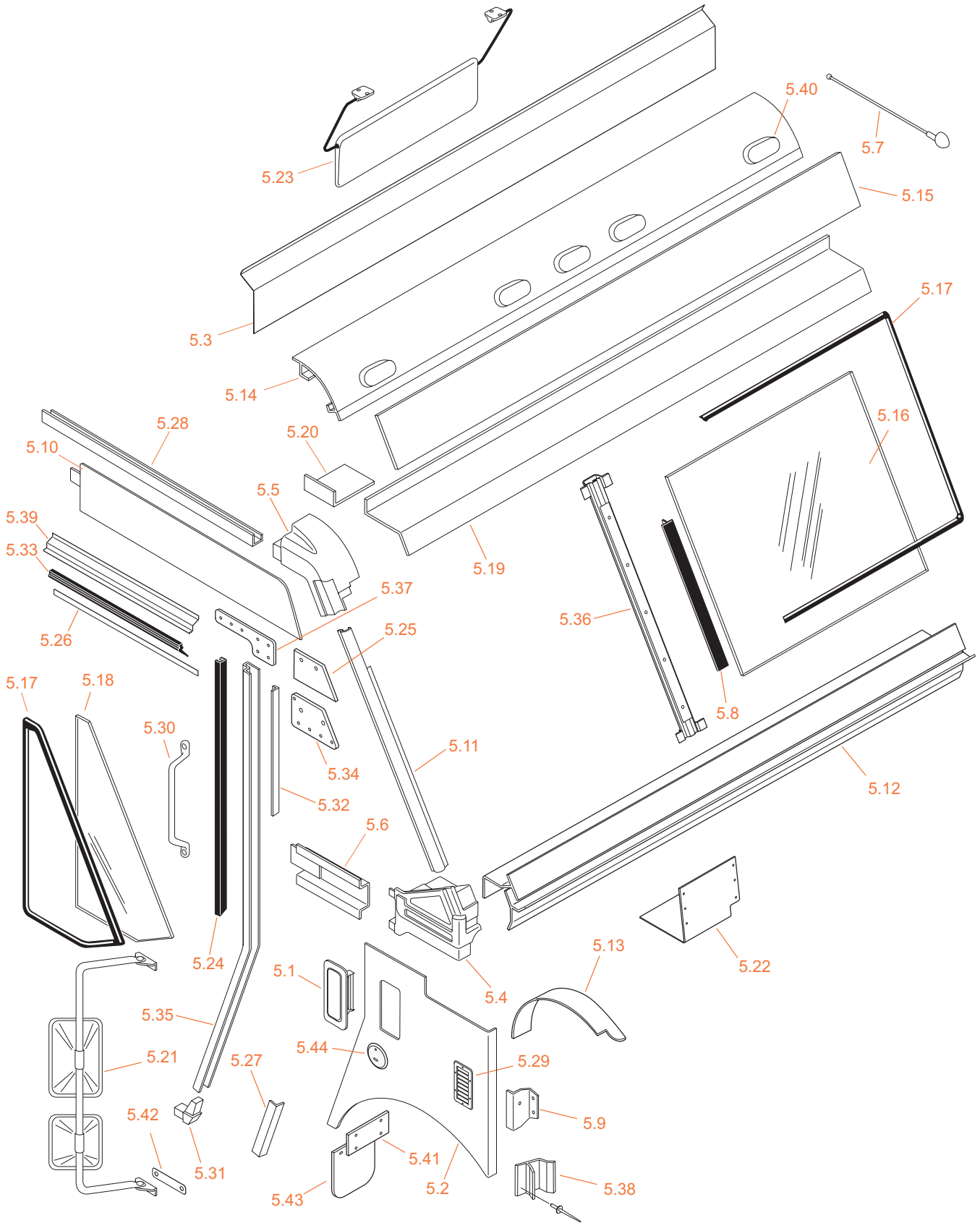


Please note that the front structure construction changed in model year 2000.			
Item	Previous No.	Current No.	Description
5.36	06913672	06921962	POST ASY CENTER W/S
5.37	22813195		GUSSET 1/4 PST TO TRACK
5.38	06000747-Length		IA9000 HOOD GUIDE 06000747
5.39	06001990-03900		IA6000 DRSEAL 39.00 06001990
5.40.01	16512589		LITE AMB LED LOPRO W/BOSS
5.40.02	12605903		GASKET PM LED LITE
5.40.03	15200401		LIGHT CLEARANCE AMBER
5.40.04	15200548		LIGHT CLEARANCE AMBER
5.40.05	15200559		LIGHT CLEARANCE YELLOW
5.40.06	15206160		CLEARANCE LITE YELLOW
5.40.07	16100074		CLEARANCE LIGHT AMBER
5.40.08	16512990		LIGHT LED LOPRO AMBER
5.40.09	16512528		LIGHT CLEARANCE AMBER
5.40.10	16512992		GASKET 21251R LED CLEAR LT
5.40.11	16511891		BUSHING CLEARANCE LGHT
5.41	06918116		HANGER FRT MUD FLAP
5.42	08610525		GASKET MIRROR BRACKET
5.43	01901684		MUDFLAP SRW 11-3/8 x 12 PLAIN
5.44.1	16512777		READER ACCESS KYLS ENTRY
5.44.2	16512776		MODULE ACCESS CONTROL KYLS
5.NS	12605827		SIKA-PRIMER 250ML
5.NS	12605959		SIKA AKTIVATOR
5.NS	12100624		SEALANT LIQUID RUBBER
5.NS	12605925		CLEANER



Continued

5—Front Structure (continued)



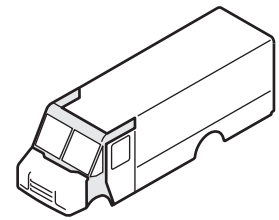
Front Structure

Utilimaster, 65528 State Road 19, P.O. Box 585, Wakarusa, IN 46573-0585, U.S.A.

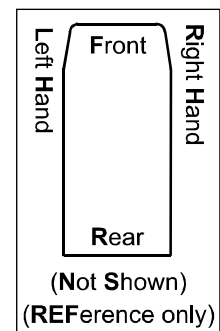
Email CustSvc@Utilimaster.com or Browse the web site www.utilimaster.com.

Call 800-237-7806 (or 574-862-3219) or Fax to 574-862-7637.

(See the Decoding Part Numbers section for Item, Part, and Description codes.)

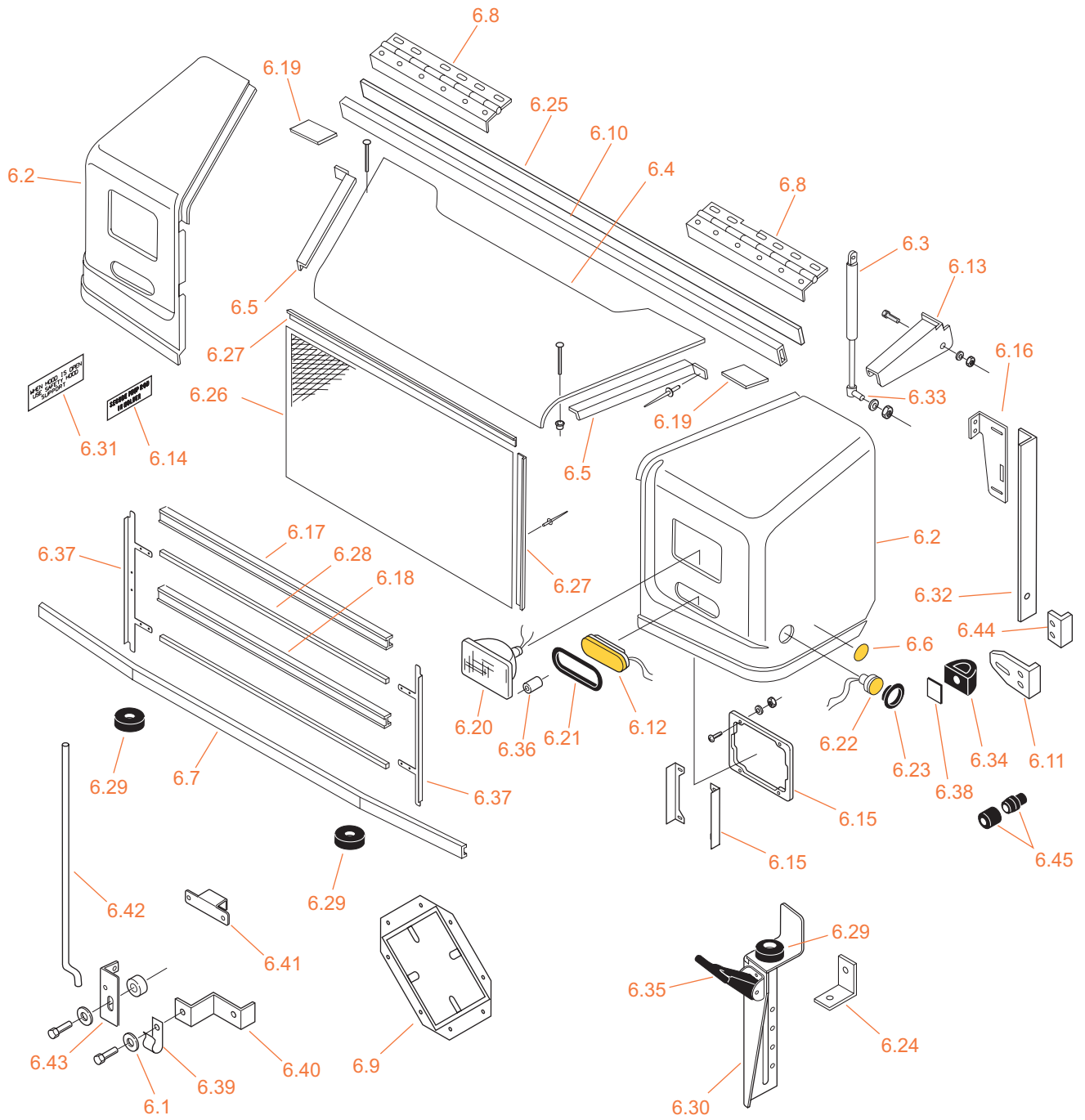


Please note that the front structure construction changed in model year 2000.			
Item	Previous No.	Current No.	Description
5.Ref	NA	54232627-CHART	Q/PNL S/ASY LH KYLS ENT CHT
5.Ref	NA	54232628-CHART	Q/PNL S/ASY RH KYLS ENT CHT
5.Ref	NA	54232698-CHART	PANEL S/ASSY QTR SPECIAL RH CHART
5.Ref	NA	54232679-CHART	PANEL ASSY QTR LH CHART #30-36
5.Ref	NA	54232680-CHART	PANEL ASSY QTR RH CHART #30-36
5.Ref	54232147-CHART	NA	** Q/PANEL ASSY LH CHART #30-36
5.Ref	54232149-CHART	NA	** Q/PANEL ASSY RH CHART #30-36
5.Ref	58230448		INSTL FLEXIBLE RADIO ANTENNA
5.Ref	51231209		INSTL OVERFLOW BOTTLE
5.Ref	54232124		QTR GLASS TRIM INSTALL
5.Ref	54232127		W/S TRIM MOLD INSTALL
5.Ref	54232743		INSTALL FRT CLEARANCE LIGHT 16512877
5.Ref	54232768		STRUCTURE ASSY FRT
5.Ref	64236534		INSTL. MUD FLAP FRONT
5.Ref	54232830		FRONT RF CAP LIGHT 16512990 INSTL
5.Ref	58231056		INSTALLATION MIRROR HEATED 08610778
5.Ref	54232604		INSTALL CAP ROOF FRT CLR LITE 16512589



6—Hood

RIM



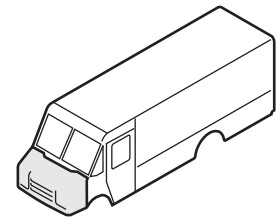
Hood, RIM

Utilimaster, 65528 State Road 19, P.O. Box 585, Wakarusa, IN 46573-0585, U.S.A.

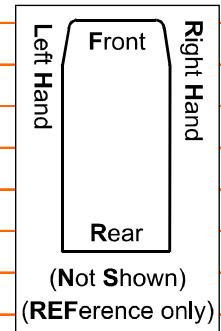
Email CustSvc@Utilimaster.com or Browse the web site www.utilimaster.com.

Call 800-237-7806 (or 574-862-3219) or Fax to 574-862-7637.

(See the Decoding Part Numbers section for Item, Part, and Description codes.)



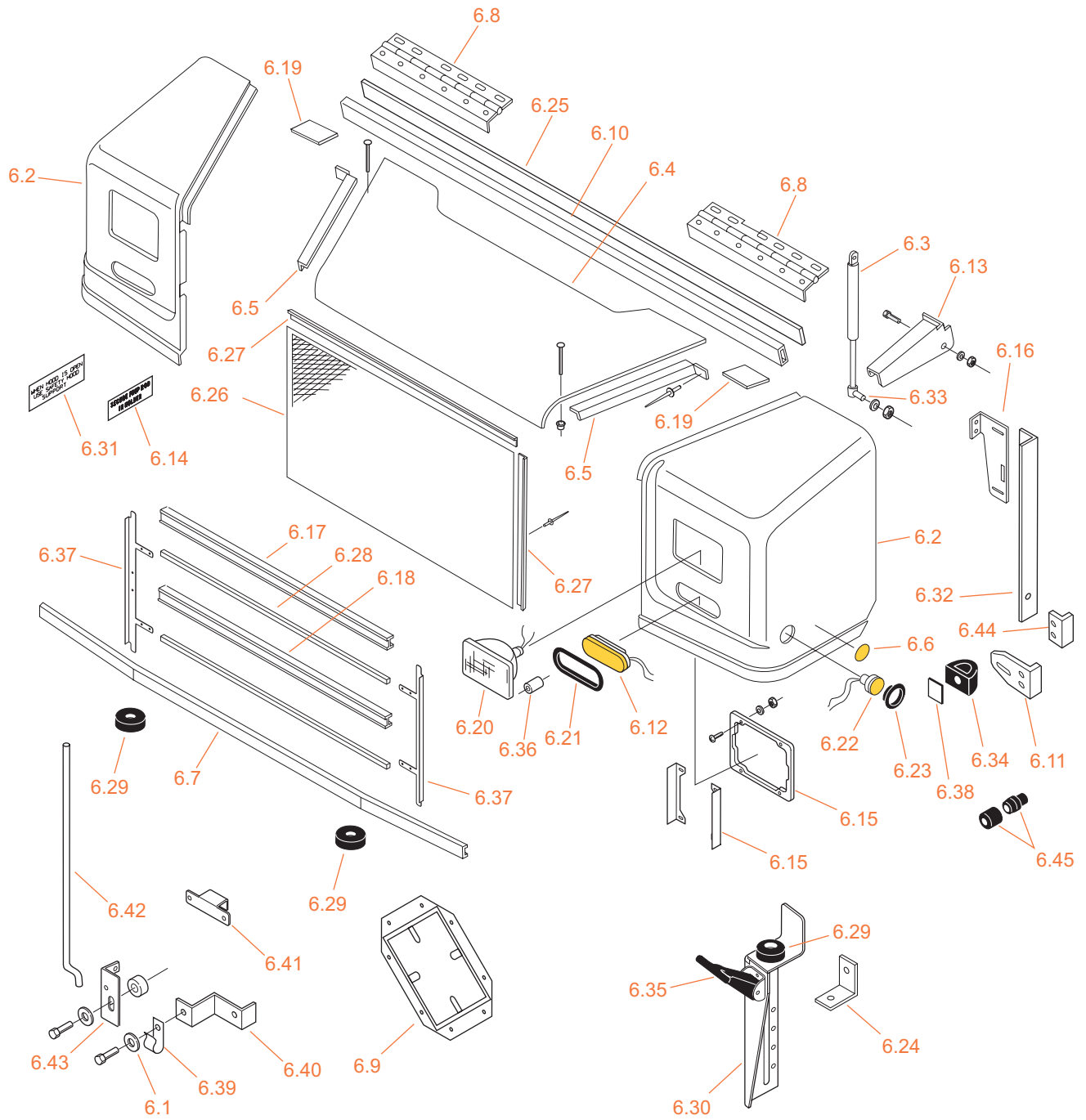
Item	Part Number	Description
6.0		RIM HOOD ASSY GM/WH #33
6.1	11002810	W ASHER 5/16 LOCK ZINC
6.2 LH	20201089	FENDER RIM LH
6.2 RH	20201090	FENDER RIM RH
6.3.1	08610334	SPRING GAS 135# W/O LCK
6.3.2	08610335	SPRING GAS W\LOCK 135#
6.3.3	08610130	SPRING GAS W/LOCK 180#
6.3.4	08610129	SPRING GAS 180#
6.4.1	06917395	HOOD RIM CENTER 78.5W 1PC W/S
6.4.2	06601747-W idth	HOOD RIM CENTER 2PC W/S (SPECIFY UNIT WIDTH)
6.4.3	11400051	HUCK TRUSS HEAD
6.4.4	11404001	HUCK MAGNA-GRIP COLLAR
6.4.5	11305092	BOLT (IN PLACE OF 6.4.3 AND 6.4.4)
6.4.6	11000039	NUT (IN PLACE OF 6.4.3 AND 6.4.4)
6.4.7	11008141	W ASHER (IN PLACE OF 6.4.3 AND 6.4.4)
6.5 LH	06601815	SUPPORT CENTER RIM HOOD LH
6.5 RH	06601816	SUPPORT CENTER RIM HOOD RH
6.6.1	16200033	REFLECTOR AMBER TAPE RND
6.6.2	15201618	REFLECTOR AMBER
6.7	06916417	IA8427 HD SPRT 06000722 (SPECIFY UNIT WIDTH)
6.8.1 LH	08610455	HINGE RIM HD LH 78.5W 1PC W/S
6.8.2 LH	08610395-W idth	HINGE RIM HOOD LH (SPECIFY UNIT WIDTH)
6.8 RH	08708530-W idth	HINGE RIM HOOD RH (SPECIFY UNIT WIDTH)
6.9.1	03101390	PLACARD FRM HAZMAT STD KT BASE
6.9.2	03101863	PLACARD HAZMAT SOLID
6.9.3	03101872	PLACARD HAZMAT SOLID
6.10	06000303-08950	IAH451 TUBE 06000303
6.11	06919033	MOUNTING ANGLE RIM HOOD
6.12.1	16100076	LIGHT FRONT TURN
6.12.2	16512585	LIGHT OVAL TURN TRKLITE
6.12.3	16511407	LIGHT AMBER OVAL
6.12.4	16400435	PIGTAIL, LIGHT FRONT TURN
6.13 LH	22102017	SPRT UPR GAS SPR LH RIM HD
6.13 RH	22102018	SPRT UPR GAS SPR RH RIM HD



Continued

6—Hood

RIM (continued)



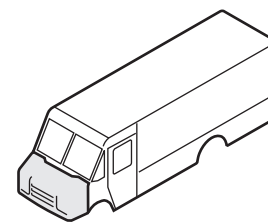
Hood, RIM

Utilimaster, 65528 State Road 19, P.O. Box 585, Wakarusa, IN 46573-0585, U.S.A.

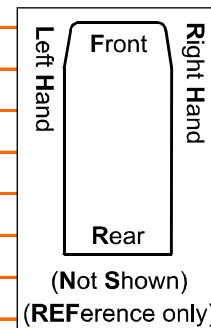
Email CustSvc@Utilimaster.com or Browse the web site www.utilimaster.com.

Call 800-237-7806 (or 574-862-3219) or Fax to 574-862-7637.

(See the Decoding Part Numbers section for Item, Part, and Description codes.)



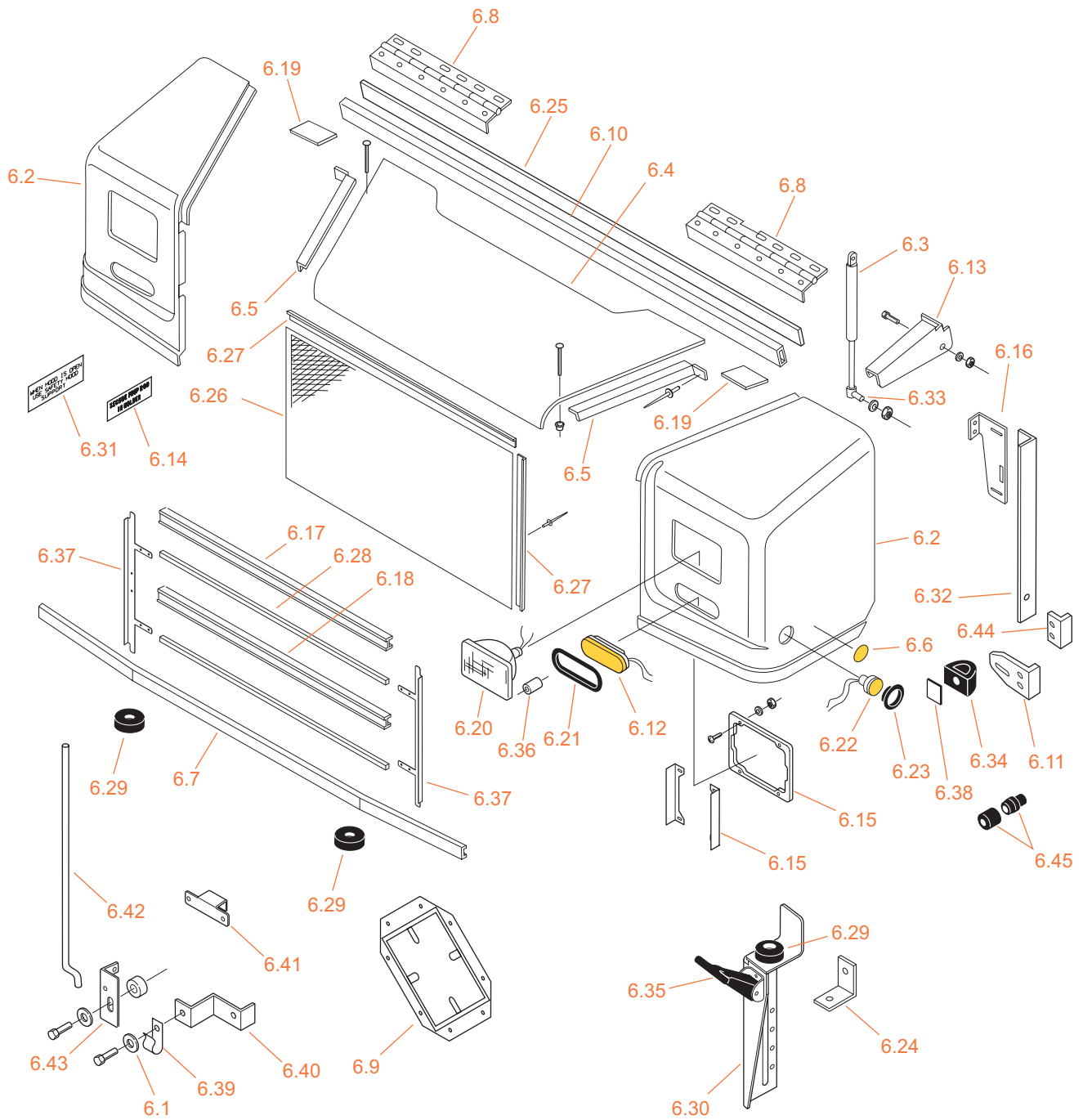
Item	Part Number	Description
6.14	03101830	DECAL, PROP ROD
6.15.1	22813774	BRKT HOOD RIM INCAN HDLAMP
6.15.2	22102015	BRKT HDLMP MNT RIM HD HALO
6.16 LH	06919034	SUPPORT STRUT RIM HOOD LH
6.16 RH	06919035	SUPPORT STRUT RIM HOOD RH
6.17	06000722-Length	IA8427 HD SPRT (SPECIFY LENGTH)
6.18	06000723-Length	IA8428 HD SPRT (SPECIFY LENGTH)
6.19	06916925	SHIM RIM HOOD HINGE
6.20.1	15206129	HEADLIGHT INCAN
6.20.2	15200593	**HEADLIGHT HALOGEN
6.20.3	16513036	HEADLIGHT HALOGEN
6.20.4	15206029	BEZEL, HEAD LIGHT
6.21.1	16100073	GROMMET FRONT LAMP
6.21.2	15200407	GROMMET OVAL SERIES 60
6.21.3	16200023	GROMMET LIGHT OVAL MTG
6.22.1	16512170	LIGHT AMBER LED 2.5" ROUND
6.22.2	16100105	LIGHT SIDE MARKER
6.22.3	16512291	LIGHT RND AMBR 2-1/2"
6.22.4	16512784	LIGHT RND LED 2-1/2" AMBR
6.22.5	16512988	LIGHT LED 2.5" SIDEMARKER
6.23.1	16512754	GROMMET SIDE MARKER (CLOSED)
6.23.2	16512250	GROMMET SIDE MARKER (CLOSED)
6.23.3	16100106	GROMMET SIDE MARKER
6.23.4	16513033	GROMMET 2.5" CLOSED BACK
6.24	22814266	MOUNT RIM HOOD BMPR STOP
6.25	12300812	TAPE FOAM 3/16 x 1" x 50'
6.26	08610450-Length	MESH, RIM HOOD 3 x 3 x 18 (SPECIFY SIZE)
6.27	06002023-Length	TRIM, IA727 ANGLE (SPECIFY LENGTH)
6.28	06000113-Length	IAH454 TUBE 06000113 (SPECIFY SIZE)
6.29.1	05705473	RUBBER BMPR 1.5 DIA x .625
6.29.2	05705659	BUMPER RUBBER 1.5DIA x .625
6.29.3	23002147SK	KIT RIM BUMPER STOPS 2.5 OD (05705702 Bumper Only)
6.30 LH	BSNR	MNT HOOD BMPR (Specify LH or RH)
6.31.1	03000828	DECAL WHEN HOOD IS OPEN USE
6.31.2	03101307	DECAL GAS SPRING/HOOD PROP REL
6.31.3	03101838	DECAL HOOD PROP ROD CATCH 3" x 5"



Continued

6—Hood

RIM (continued)



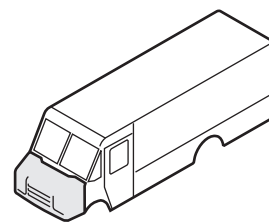
Hood, RIM

Utilimaster, 65528 State Road 19, P.O. Box 585, Wakarusa, IN 46573-0585, U.S.A.

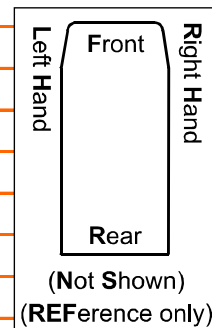
Email CustSvc@Utilimaster.com or Browse the web site www.utilimaster.com.

Call 800-237-7806 (or 574-862-3219) or Fax to 574-862-7637.

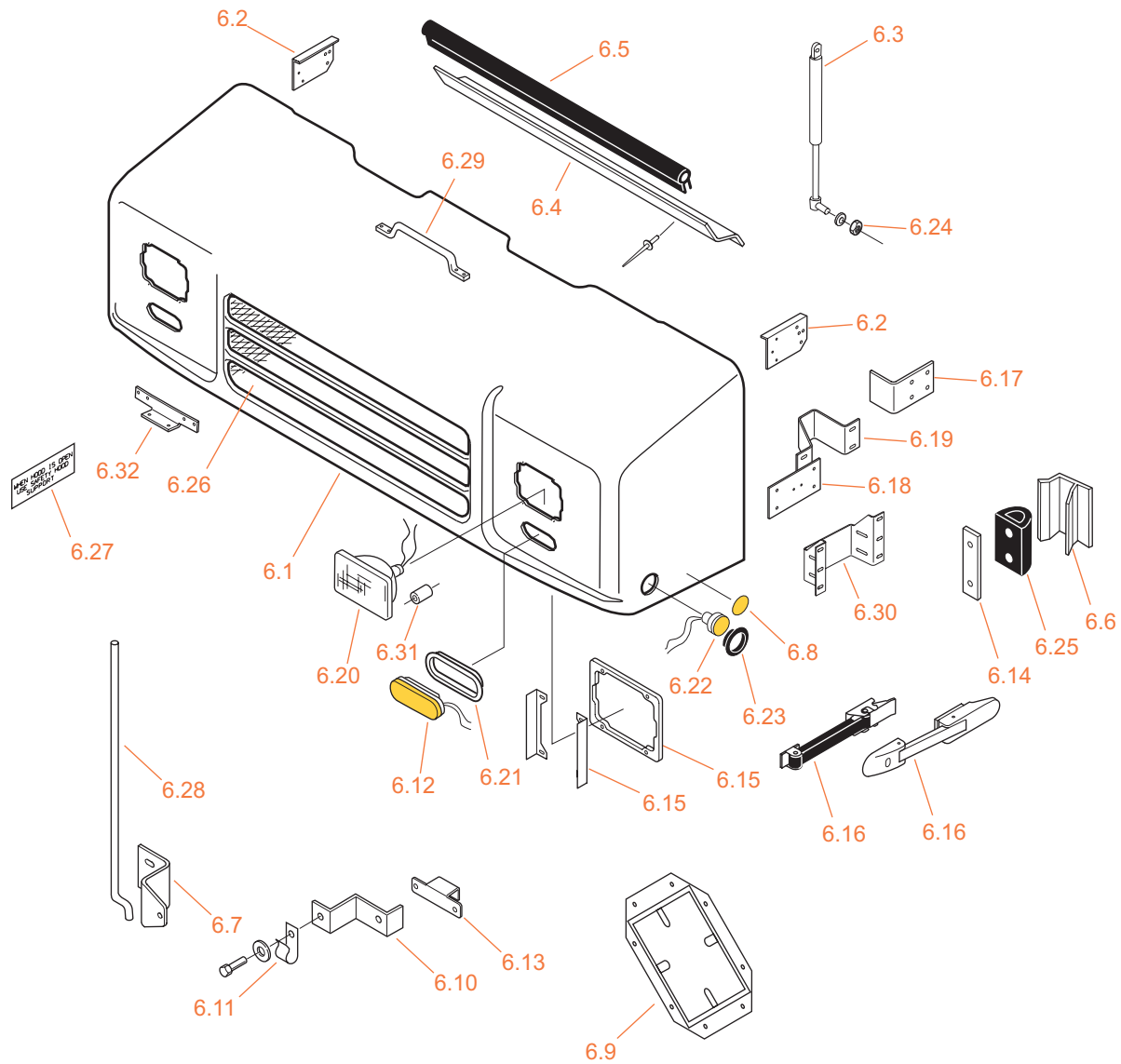
(See the Decoding Part Numbers section for Item, Part, and Description codes.)



Item	Part Number	Description
6.32 LH	06919383-Length	IA637 HD RM BRC LH 06002050 (SPECIFY LENGTH)
6.32 RH	06919384-Length	IA637 HD RM BRC RH 06002050 (SPECIFY LENGTH)
6.33	08610361	STUD BALL 10MM x 5/16-18 x .75
6.34	01100442	BUMPER-LIFT UP NOSE 1-3/4"
6.35	08700570	LATCH ENG COVER
6.36	17900474	PLENUM SPACER 1" HALO
6.37	06922059	SUPPORT GRILL BARS
6.38	06921490	ALUM .125 x .88 x 1.5
6.39	08610687	CLIP HOOD ROD 5.5MM
6.40	22814609	BRACKET PROP ROD CATCH
6.41	22813778	CATCH HOOD PROP
6.42	22813919	HOOD PROP RIM HOOD
6.43.1	22813777	BRKT HOOD PROP ROD
6.43.2	22814098	BRACKET HOOD PROP ROD #33 ISB #36
6.43.3	22814032	SPACER TUBE HOOD PROP .5"
6.44	06919513	ANGLE MOUNT RIM HOOD GUIDE 78.5W #33
6.45	08611172	DOOR HOLDER HARD W/MALE PLUG
6.NS	23002060	HOOD, SHELL ONLY (Specify Width)
6.NS	16512701	GUARD HEAD LIGHT (CAGE)
6.Ref	20510271	FENDER RIM RH RECT INCAN HDLT
6.Ref	20510272	FENDER RIM LH RECT INCAN HDLT
6.Ref	51231290	STOP HOOD BMPR INSTAL
6.Ref	51231424	INSTL FRT BUMPER #33
6.Ref	54232158	MESH, RIM HOOD (Specify Width)
6.Ref	54232545	INSTALL FNDR BRACE CHT RIM HD
6.Ref	54232546	RIM HOOD ASY 78.5W W/1PC WSHLD
6.Ref	54232547	RIM HOOD ASY W/2PC WSHLD CHART
6.Ref	54232625	INSTL GRAB HANDLE ON RIM HOOD
6.Ref	54232733	HOOD ASSY RIM HALG W/DPSTK ACS CHT
6.Ref	54232774	RIM HOOD ASSY W/2PC W/S CHART
6.Ref	54232775	GRILL BAR INSTALL
6.Ref	64236281-CHART	HOOD PROP INSTALL RIM
6.Ref	64237287	INSTALL HOOD PROP #33 ISB ENGINE



6—Hood Fiberglass



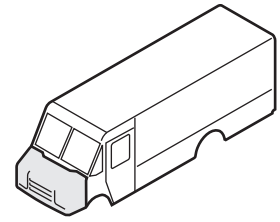
Hood, Fiberglass

Utilimaster, 65528 State Road 19, P.O. Box 585, Wakarusa, IN 46573-0585, U.S.A.

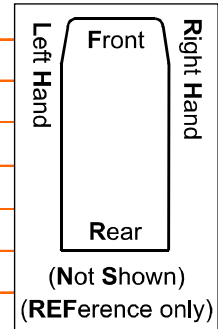
Email CustSvc@Utilimaster.com or Browse the web site www.utilimaster.com.

Call 800-237-7806 (or 574-862-3219) or Fax to 574-862-7637.

(See the Decoding Part Numbers section for Item, Part, and Description codes.)



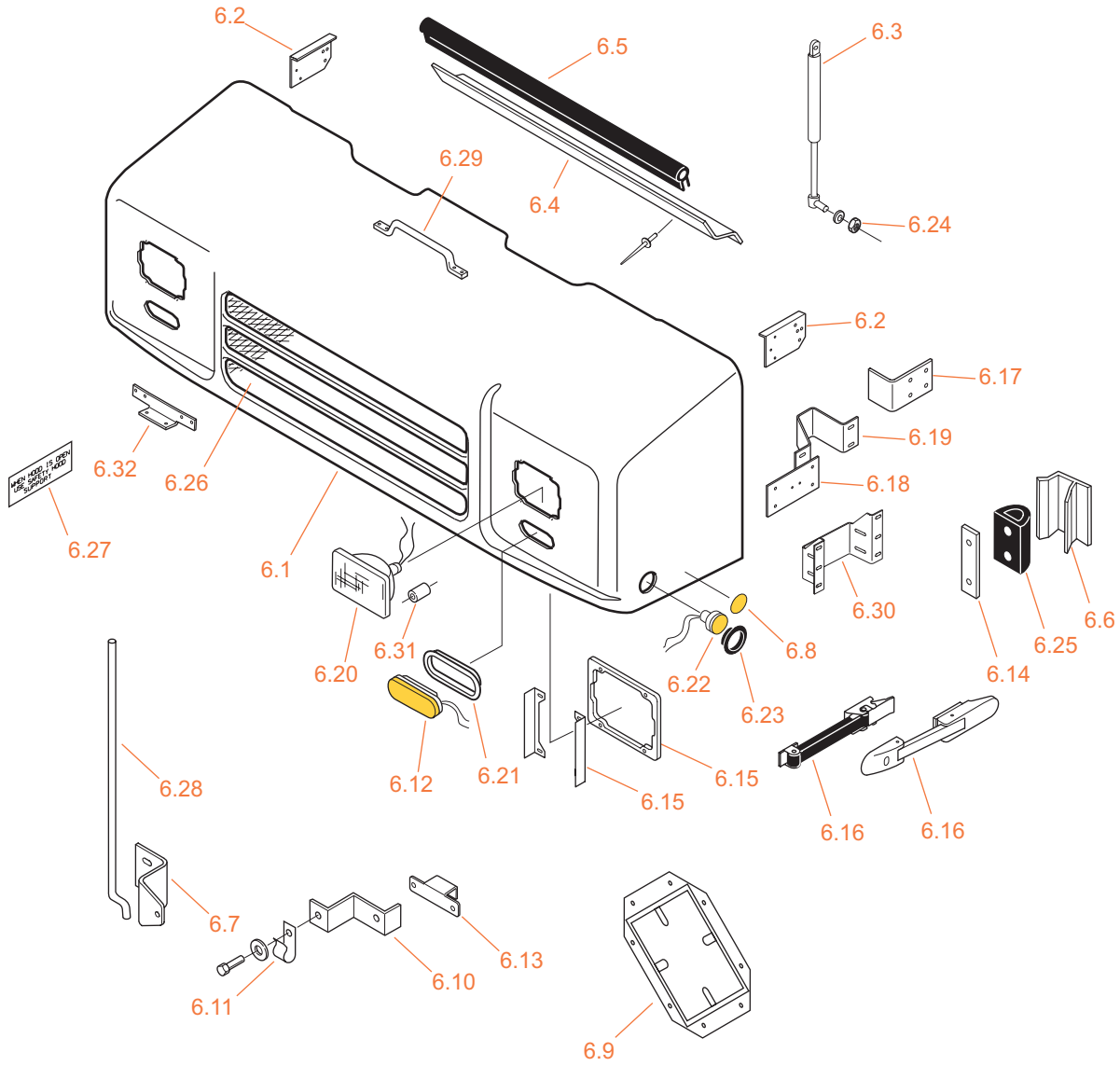
Item	Part Number	Description
6.0		HOOD FIBERGLASS
6.1.1*	20510507-Width	HOOD FGL RECT HALO #33
6.1.2*	20510506-Width	HOOD FGL RECT INCAND #33
6.2 LH	22814961	SPRT UPR GAS SPR LH RTM HOOD
6.2 RH	22814960	SPRT UPR GAS SPR RH RTM HOOD
6.2.1	06919665	BRKT HOOD GUIDE MOUNT RTM
6.3.1	08610334	SPRING GAS 135# W/O LCK
6.3.2	08610335	SPRING GAS W\LOCK
6.4	06918875	FILLER COWL F/G RTM HOOD
6.5	05402186	SEAL HOOD FIBERGLASS
6.6	06000747-Length	IA9000 HOOD GUIDE 06000747
6.7	BSNR	BRACKET HOOD PROP ROD
6.8	16200033	REFLECTOR AMBER TAPE ROUND
6.9	See RIM Hood	HAZMAT PLACKARD
6.10	22814609	BRACKET PROP ROD CATCH
6.11	08610687	CLIP HOOD ROD 5.5MM
6.12	See RIM Hood	LIGHT FRONT TURN
6.13	22813778	CATCH HOOD PROP
6.14.1	06919446	BACKER DOCK BUMPER RTM HOOD
6.14.2	06919116	BACKER DOCK BUMPER RTM HOOD
6.15	See RIM Hood	BRKT HOOD RIM INCAN HDLAMP
6.16.1	08704958	LATCH FLEX DRAW
6.16.2	08610842	LATCH HOOD
6.16.3	08700313	HOLD DOWN HOOD
6.17	06919444	BRACKET HD GUIDE MOUNT FGLS
6.18	06924048	BRKT HD GUIDE OUTER F/G RTM
6.19 LH	06919095	BRKT HOOD GUIDE INNER LH RTM
6.19 RH	06919105	BRKT HOOD GUIDE INNER RH RTM
6.20	See RIM Hood	HEADLIGHT ASSY
6.21	16100073	GROMMET FRONT LAMP
6.22	See RIM Hood	LIGHT SIDE MARKER
6.23	16512754	GROMMET 2.5" RND W/BCK
	*Detail 6.1 includes hood hinges and other components affixed to fiberglass hood.	



Continued

6—Hood

Fiberglass (continued)



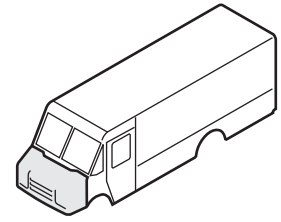
Hood, Fiberglass

Utilimaster, 65528 State Road 19, P.O. Box 585, Wakarusa, IN 46573-0585, U.S.A.

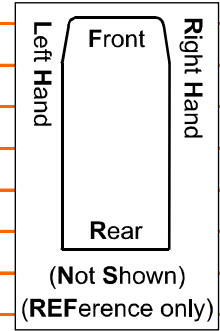
Email CustSvc@Utilimaster.com or Browse the web site www.utilimaster.com.

Call 800-237-7806 (or 574-862-3219) or Fax to 574-862-7637.

(See the Decoding Part Numbers section for Item, Part, and Description codes.)



Item	Part Number	Description
6.24	08610361	STUD BALL 10MM x 5/16-18 x .75
6.25.1	01902625	BMPR RBR DOCK HOOD GUIDE 3.5"
6.25.2	01100442	BUMPER-LIFT UP NOSE 1-3/4"
6.26	08610450	MESH.032 BLK EPOX (SPECIFY SIZE)
6.27	03000828	DECAL WHEN HOOD IS OPEN USE
6.28	22813919	HOOD PROP HOOD
6.29.1	08704342	HANDLE GRAB OFFSET
6.29.1	08704347	HANDLE ALUM GRAB
6.29.2	54232654	BACKER ASY RTM HOOD HANDLE
6.30	06924049	BRKT HD GUIDE INNER F/G RTM
6.31	17900474	PLENUM SPACER 1" HALO
6.32	22817153	PATCH PLATE F/G HOOD LOWER TUBE
6.Ref	54232598	HD S/A FGL HAL CN PRP GRTE CHT #33
6.Ref	54232507-CHART	HOOD FGL RECT INCANDES
6.Ref	54232508-CHART	HOOD FGL RECT HALO
6.Ref	54232653	INSTALL GRAB HANDLE HOOD
6.Ref	54232523	INSTL COWL FILLER F/GLS RTM HD ALL



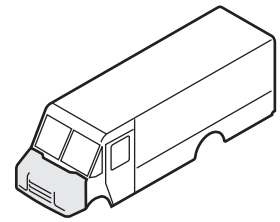
Hood, Aluminum

Utilimaster, 65528 State Road 19, P.O. Box 585, Wakarusa, IN 46573-0585, U.S.A.

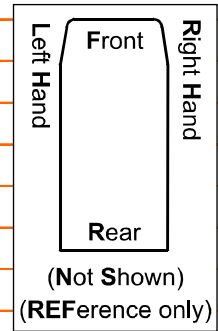
Email CustSvc@Utilimaster.com or Browse the web site www.utilimaster.com.

Call 800-237-7806 (or 574-862-3219) or Fax to 574-862-7637.

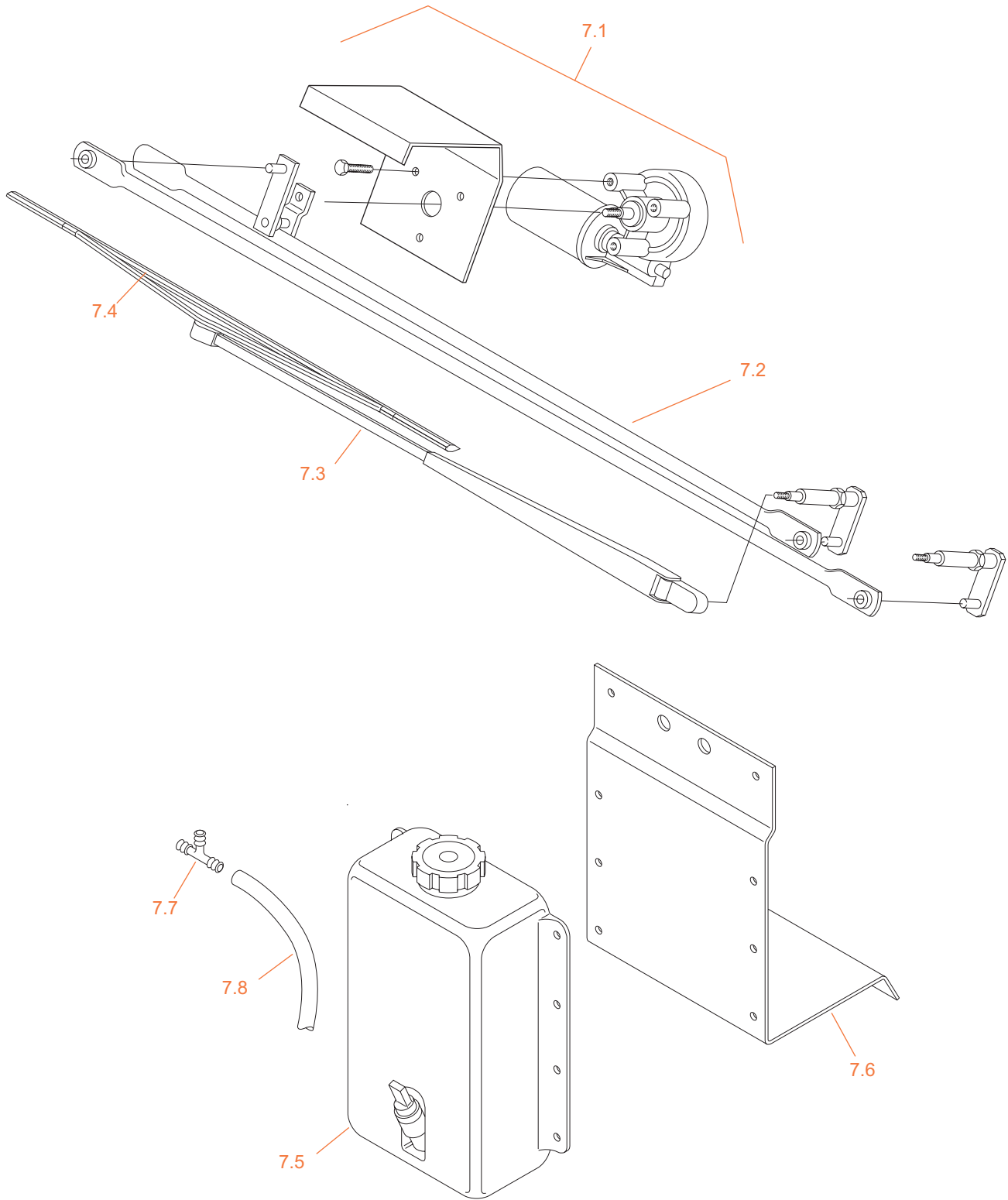
(See the Decoding Part Numbers section for Item, Part, and Description codes.)



Item	Part Number	Description
6.0		HOOD ASSEMBLY, ALUMINUM
6.1	BSNR	METAL, GRILL
6.2.1 LH	06530485	**FENDER MTL LH #32-35
6.2.1 RH	06530484	**FENDER MTL RH #32-35
6.2.2 LH	06926212	FENDER METAL LH W/RND MRKR
6.2.2 RH	06926211	FENDER METAL RH W/RND MRKR
6.2.3	BSNR	METAL, FENDER
6.3	BSNR	CATCH HOOD PROP
6.4	BSNR	METAL, HOOD
6.5	06601800-09350	STIFFENER 93.5W L/UP NOSE A&B
6.6 LH	06915794	CRNR *OE LH 2'1-15/16 06012019
6.6 RH	06915795	CRNR *OE RH 2'1-15/16 06012019
6.7	06600740	BRACKET HOOD ALIGN FRT WALKIN
6.8	06800020	CASTING HOOD CORNER
6.9	06012019-Length	IA4051 CRNR 06012019
6.10	06013029-Length	IA4701 TRACK 06013029
6.11	08705163-Length	HINGE .093 x 3" x L SS PIN
6.12	08610334	SPRING GAS 135# W/O LCK
6.13	BSNR	PROP ROD
6.14	22813856	BCKR HOOD CATCH
6.15	06003854-Length	IA7337 CHNL 06003854
6.16	06013009-Length	IA4175 HOOD 06013009
6.17	54231731	GRILL ASSEMBLY, FORMED 21.50
6.18	16100076	LIGHT FRONT TURN
6.19	16100073	GROMMET FRONT LAMP
6.20	BSNR	HEAD LIGHT ASSY
6.21	16100078	LIGHT SIDE MARKER
6.22	08704347	HANDLE ALUM GRAB
6.23	08700570	LATCH ENG COVER
6.24 LH	22101879	ALIGN BRKT HOOD LH# #30-36
6.24 RH	22101881	ALIGN BRKT HOOD RH# #30-36
6.25 LH	06601799	MOUNT GAS SPRING UPR LH
6.25 RH	06601798	MOUNT GAS SPRING UPR RH
6.26 LH	06601609	GUSSET HOOD LH #30-33 35,36
6.26 RH	06601610	GUSSET HOOD RH #30-33 35,36
6.27	22101878	BRKT COWL ALIGNMENT #32-35
6.28	BSNR	HOLDER DR SOFT SOCKET



7—Wiper System



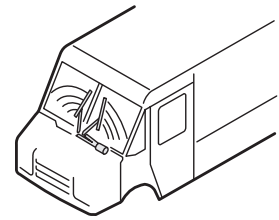
Wiper System

Utilimaster, 65528 State Road 19, P.O. Box 585, Wakarusa, IN 46573-0585, U.S.A.

Email CustSvc@Utilimaster.com or Browse the web site www.utilimaster.com.

Call 800-237-7806 (or 574-862-3219) or Fax to 574-862-7637.

(See the Decoding Part Numbers section for Item, Part, and Description codes.)



Item	Part Number	Description
7.0	64236779-CHART	WIPER ASY SINGLE

Bosch System (Prior to March 1999)

7.1	08706624	MOTOR BRKT ASY WIPER	<div style="border: 1px solid black; padding: 5px; text-align: center;"> Left Hand Front Right Hand Rear (Not Shown) (REFerence only) </div>
7.2.1	08610466	LINKAGE 78.5W TRUCK	
7.2.2	09801393	LINKAGE 86.5-93.5W	
7.3.1 LH	08706627	WIPER ARM LH 78.5W SYSTEM	
7.3.1 RH	08706626	WIPER ARM RH 78.5W SYS	
7.3.2 LH	08706629	WIPER ARM LH 86.5-93.5W SYSTEM	
7.3.2 RH	08706628	WIPER ARM SYSTEM RH	

Trico System (March 1999 to April 2001)

7.1	09801548	MOTOR BRKT ASY WIPER
7.2.1	09801531	LINKAGE 78.5W TRUCK
7.2.2	09801569	LINKAGE 86.5-93.5W
7.3 LH	09801539	WIPER ARM LH 86.5-93.5W SYSTEM
7.3.1 RH	09801533	WIPER ARM RH 78.5W SYS
7.3.2 RH	09801534	WIPER ARM SYSTEM RH

Trico System (After April 2001)

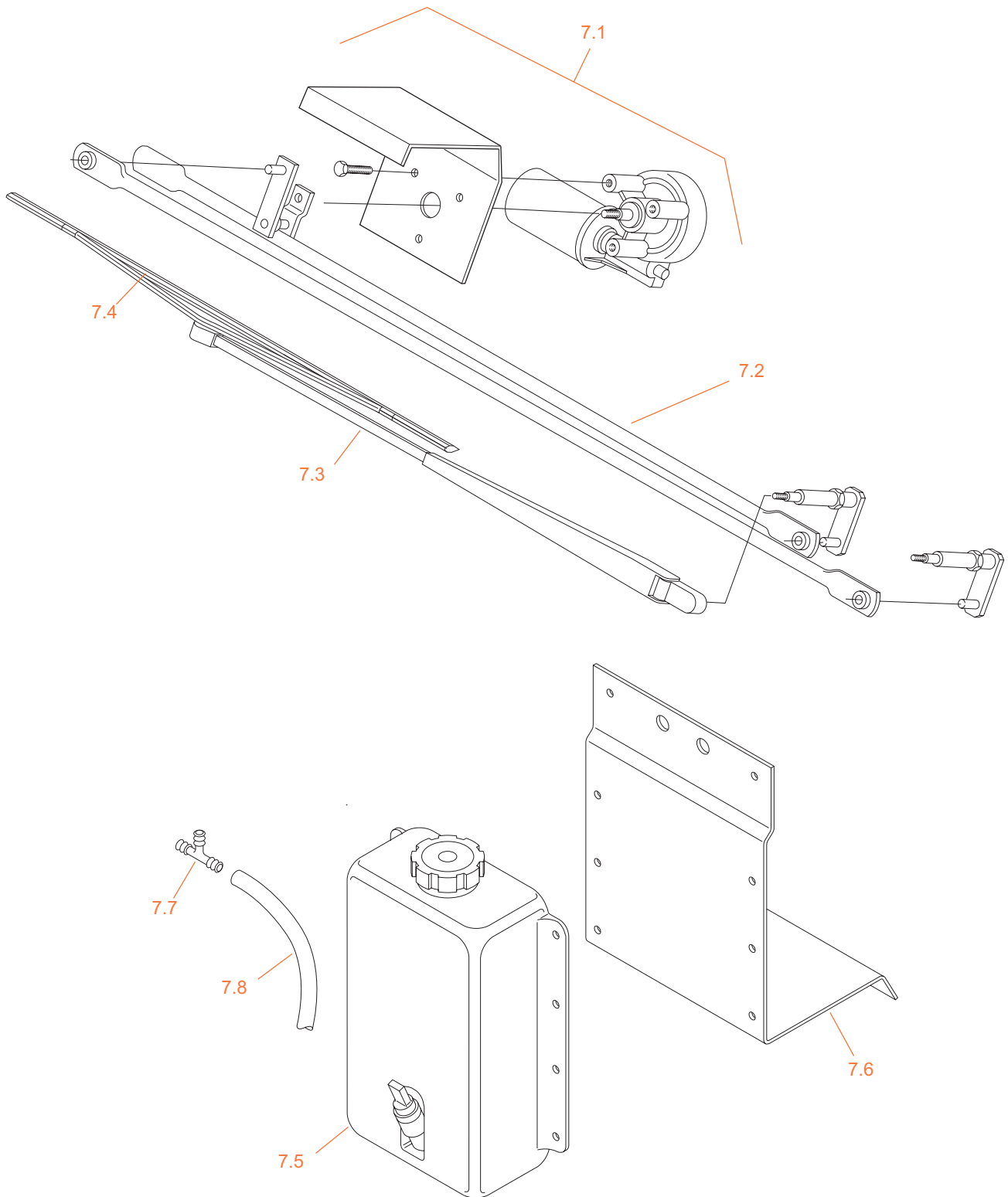
7.1-A	09801632	MOTOR BRKT ASY WIPER (Standard)
7.1-E	09801653	MOTOR/BRACKET ASSEMBLY WIPER (ISB4)
7.2-N	09801630	LINKAGE 78.5W TRUCK
7.2-W	09801631	LINKAGE 86.5-93.5W
7.3 LH	09801539	WIPER ARM LH 86.5-93.5W SYSTEM
7.3.1 RH	09801533	WIPER ARM RH 78.5W SYS
7.3.2 RH	09801534	WIPER ARM SYSTEM RH

7.4	09801532	WIPER BLADE 24"
7.5.1	08713382	BOTTLE WASHER ASY 4QT
7.5.2	08610254	BTL WASHER ASY 1GL
7.6	06601770	BRACKET WASHER BOTTLE 4QT
7.7.1	08713438	TEE WASHER 1/8 X 1/8 X 3/16
7.7.2	09801594	** TEE WASHER 1/8 X 1/8 X 3/16
7.7.3	09801600	TEE WASHER 1/8 X 1/8 X 5/32
7.8	01400711	HOSE 5/32" W/S WASHER

Continued

Note: The Cummins ISB4 (black 4-cylinder) engine requires a special wiper harness.

7—Wiper System (continued)



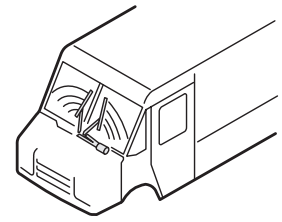
Wiper System

Utilimaster, 65528 State Road 19, P.O. Box 585, Wakarusa, IN 46573-0585, U.S.A.

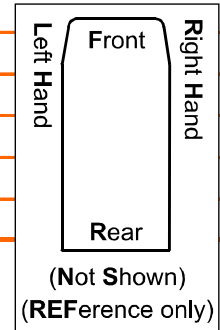
Email CustSvc@Utilimaster.com or Browse the web site www.utilimaster.com.

Call 800-237-7806 (or 574-862-3219) or Fax to 574-862-7637.

(See the Decoding Part Numbers section for Item, Part, and Description codes.)



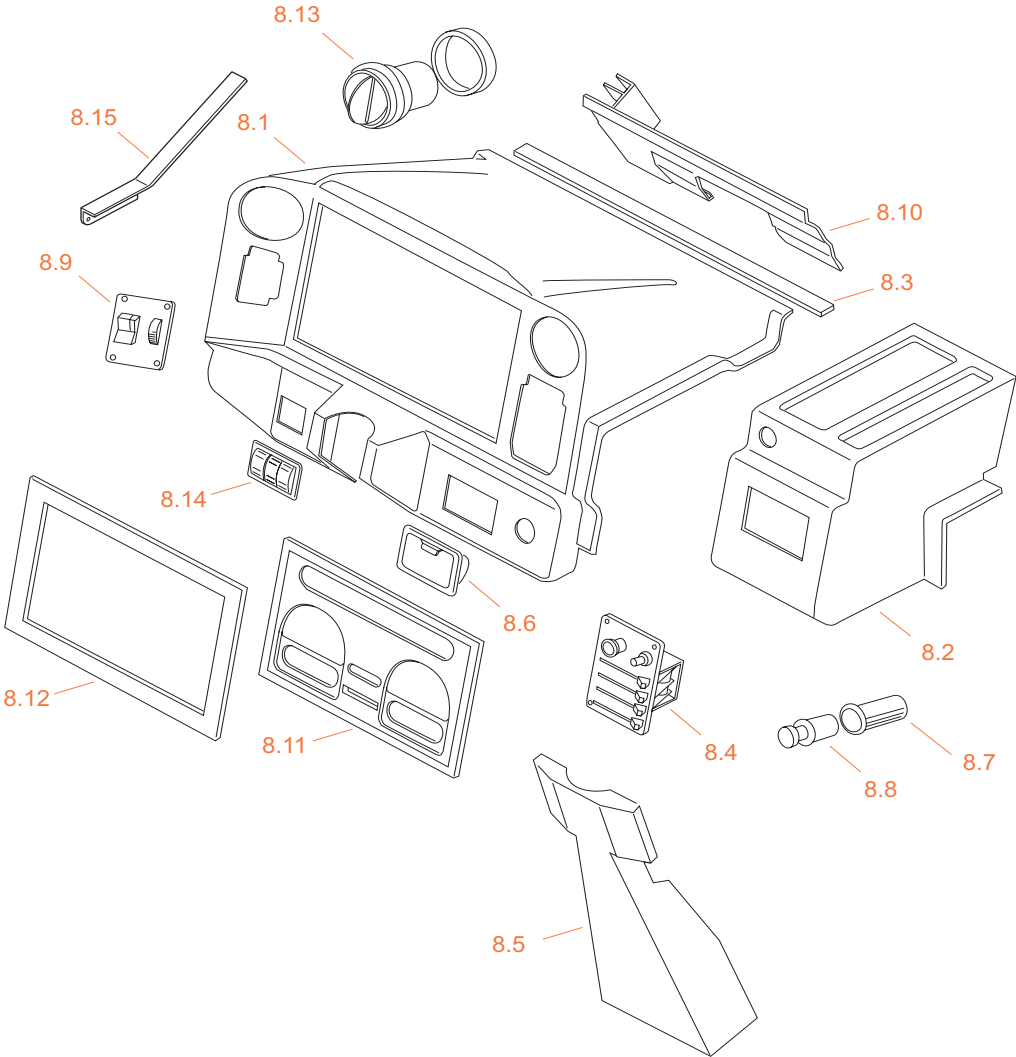
Item	Part Number	Description
7.NS	09801535	WIPER PARTS PACK
7.NS	09801536	WIPER SM MANUAL MAINTENANCE
7.NS	09801542	WIPER LG MANUAL MAINTENANCE
7.NS	16100186	WIPER DELAY MODULE
7.NS	16512220	HARNES HDLP/WPR JMPR 97 #31, 32, 33, 35
7.NS	16513323	HARNES HEADLAMP/WPR (ISB4) #33
7.NS	16512188	WIPER MODULE W/CONN



Note: The Cummins ISB4 (black 4-cylinder) engine requires a special wiper harness.

8—Dash

Two-piece



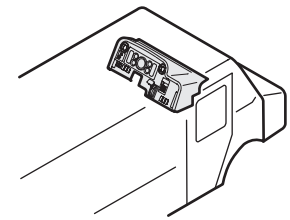
Dash, Two-piece

Utilimaster, 65528 State Road 19, P.O. Box 585, Wakarusa, IN 46573-0585, U.S.A.

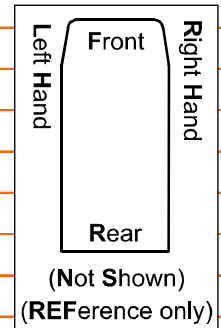
Email CustSvc@Utilimaster.com or Browse the web site www.utilimaster.com.

Call 800-237-7806 (or 574-862-3219) or Fax to 574-862-7637.

(See the Decoding Part Numbers section for Item, Part, and Description codes.)



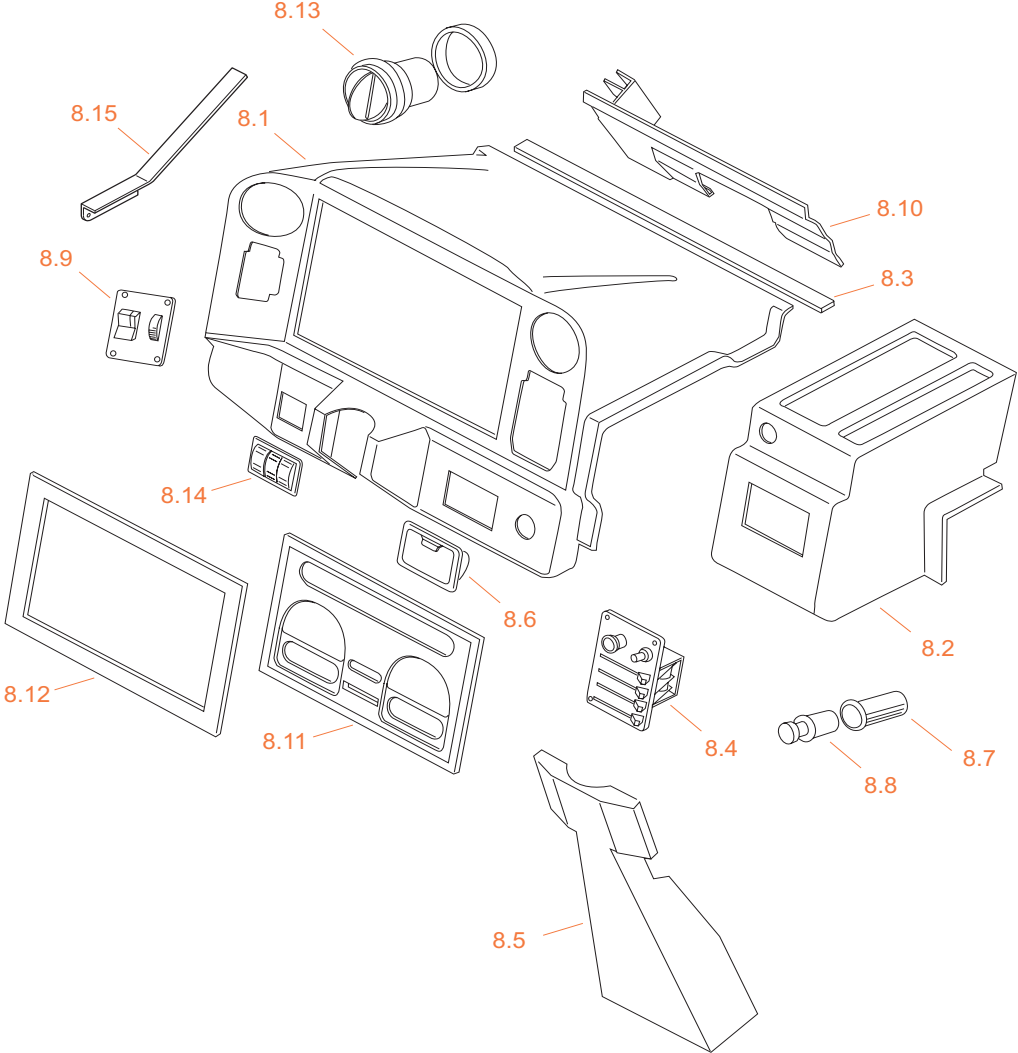
Item	Part Number	Description
8.0		DASH INST GM/WH #33
8.1	20510035	DASH ABS FRMD #33
8.2	20510036	COVER HEATER CABLE #33
8.3	12300537	TAPE, RUBBER 1/16" x 1" BLACK
8.4	See Heater Section	CABLE CONTROL
8.5	20510257	COVER STRG COLUMN IND SUS #33
8.6	08701254	ASH TRAY SIDE MOUNT
8.7	Not Available	ACCESSORY OUTLET
8.8	Not Available	LIGHTER
8.9.1	Chassis Supplied	WIPER SWITCH
8.9.2	16513219	SWITCH INTERMITTENT WIPER DASH #33
8.9.3	20510782	PLATE WIPER ILLUMINATED INTERM
8.9.4	16512188	WIPER MODULE INTERM W/CONN
8.10	06601719	BRACKET STEERING/DASH #33
8.11	Chassis Supplied	IP PANEL
8.12	16015620	BEZEL PANEL INSTRUMENT GM
8.13	17990611	HEATER LOUVER
8.14.1	16511993	SWTCH BODY ON/OFF (POWER VENT)
8.14.2	16511793-END	BEZEL SWITCH END
8.14.3	16511793-MID	BEZEL SWITCH MIDDLE
8.14.4	16511793-SGL	BEZEL SWITCH SINGLE
8.14.5	16511995	SW BODY ON/OFF/ON (AUX HEATER)
8.14.6	16512004	ACTR LIGHTS/RED LENS
8.14.7	16512005	ACTUATOR FAN/RED LENS
8.14.8	16512034	ACTR PWR VENT RD LENS
8.14.9	16512068	BODY OFF/MOM-ON SW
8.14.10	16100095	ACTUATOR NO LIGHT
8.14.11	16511807	ACTUATOR "CARGO LPS"
8.14.12	16511815	ACTUATOR "BEACON"
8.14.13	16511994	SWITCH BODY ON/ON
8.14.14	16511996	ACTUATOR W/GREEN LENS
8.14.15	16511997	ACTUATOR FANS
8.14.16	16511998	ACTUATOR DOME LAMP
8.14.17	16511999	ACTUATOR MIRROR DEF



Continued

8—Dash

Two-piece (continued)



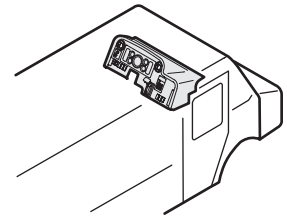
Dash, Two-piece

Utilimaster, 65528 State Road 19, P.O. Box 585, Wakarusa, IN 46573-0585, U.S.A.

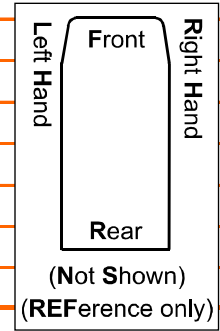
Email CustSvc@Utilimaster.com or Browse the web site www.utilimaster.com.

Call 800-237-7806 (or 574-862-3219) or Fax to 574-862-7637.

(See the Decoding Part Numbers section for Item, Part, and Description codes.)

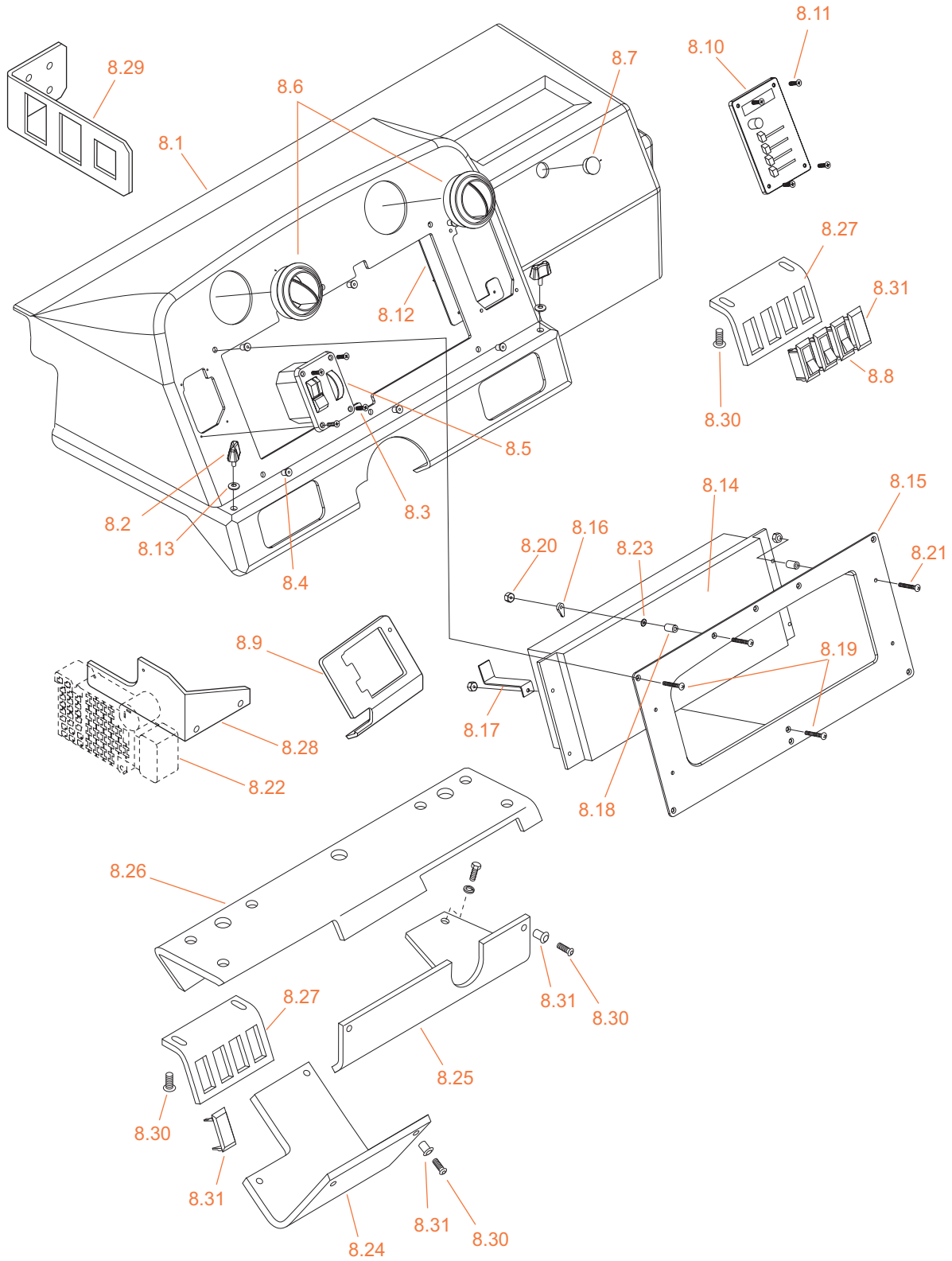


Item	Part Number	Description
8.14.18	16512000	ACTUATOR LIGHTS
8.14.19	16512001	ACTUATOR STROBE LIGHT
8.14.20	16512002	ACTUATOR SPOT LIGHT
8.14.21	16512003	ACTUATOR AUX HEATER
8.14.22	16512026	ACTUATOR POWER VENT
8.14.23	16512027	ACTR AUX HTR/RED LENS
8.15	06920705	SUPPORT DASH LH 30-36 06002022
8.NS	05302302	TRIM LOCK BLK 1/8"W/ALUM INST



8—Dash

One-piece Lift-up



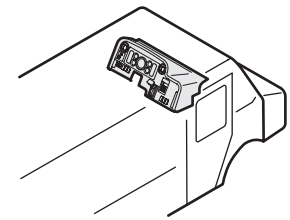
Dash, One-piece Lift-up

Utilimaster, 65528 State Road 19, P.O. Box 585, Wakarusa, IN 46573-0585, U.S.A.

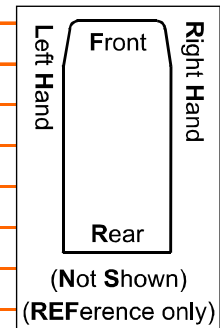
Email CustSvc@Utilimaster.com or Browse the web site www.utilimaster.com.

Call 800-237-7806 (or 574-862-3219) or Fax to 574-862-7637.

(See the Decoding Part Numbers section for Item, Part, and Description codes.)



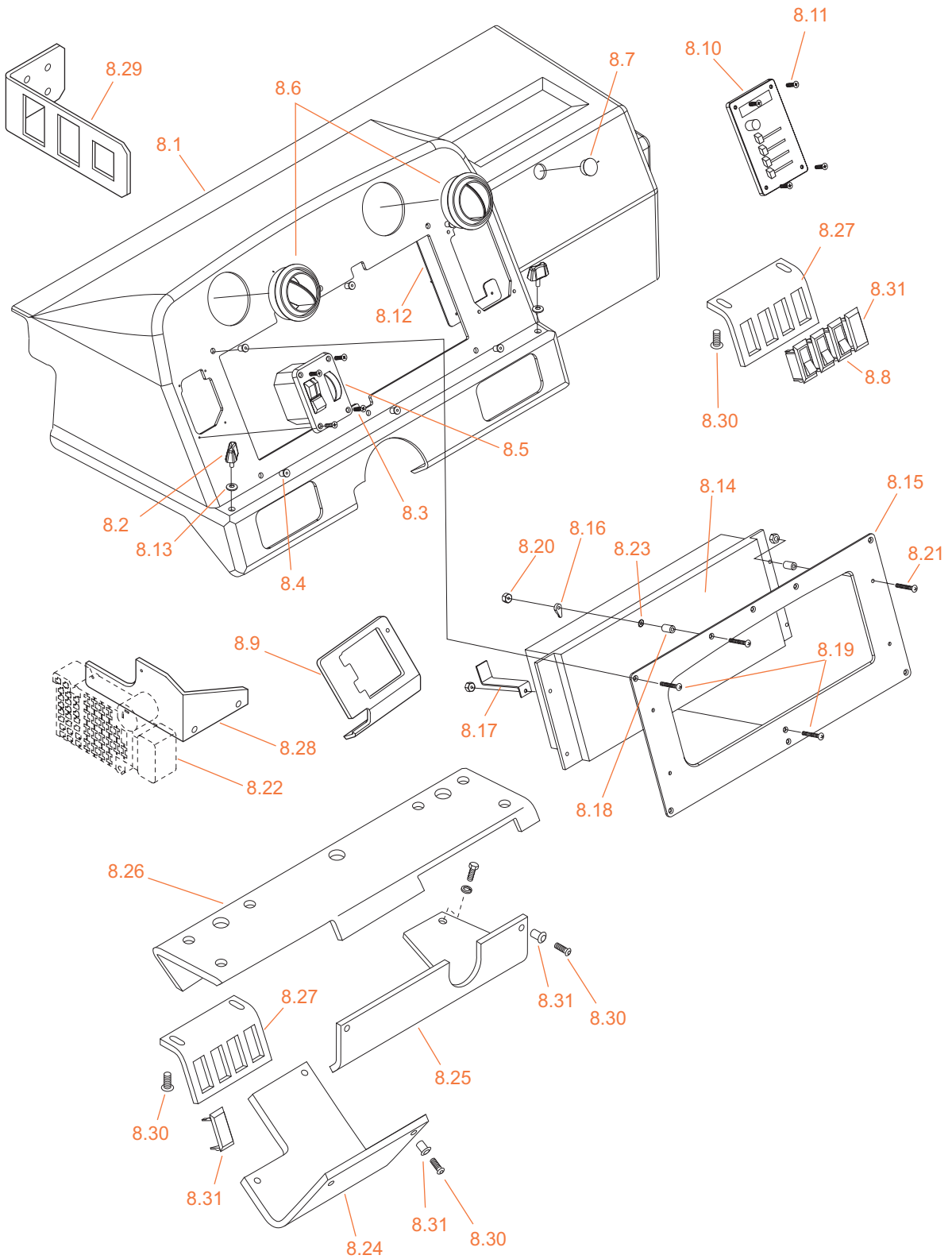
Item	Part Number	Description
8.0		DASH INST GM/WH #33
8.1	20510376-CHART	ABS DASH
8.2	08610526	** KNOB F/GLS ENGINE COVER
8.3	11300342	SCREW, 6 x 3/4" PHFLBLKOX, COUNTERSUMK
8.4	11600516	WELL-NUT MOLLY
8.5	Chassis Supplied	HEAD LAMP SWITCH
8.6	17990611	BALL VENT LOUVER, (2 PIECE)
8.7	19502278	PLUG, SNAP-LOCK 7/8" PLASTIC
8.8.1	16512966	ACTUATOR BLANK GREEN LIGHTED
8.8.2	16511996	ACTUATOR, CARGO
8.8.3	16511998	ACTUATOR, DOME
8.8.4	16511997	ACTUATOR, FAN
8.8.5	16512965	ON/OFF ROCKER W/GUARD
8.8.6	16511993	SWITCH BODY, ON/OFF
8.8.7	16511993	SWITCH BODY, ON/OFF
8.8.8	16511995	SWITCH BODY, ON/OFF/ON
8.9	06924979	SUPPORT FUSE BLOCK
8.10	See Heater Section	HEATER CONTROL
8.11	11301612	SCREW 8 x 1
8.12	06915592	MNT HTR CONTROL .09AL
8.13	11600629	WASHER, BLACK-NEOBOND 1/4" X 7/8"
8.14	Chassis Supplied	INSTRUMENT PANEL
8.15	05705500	BEZEL, IP CLUSTER
8.16	08610606	CLIP, NYLON IP CLUSTER TO BEZEL
8.17	06918468	CLIP, IP CLUSTER TO BEZEL
8.18	20510417	SPACER, IP TO BEZEL 9/16 x 3/8 OD
8.19	11600517	SCREW, 6-32 x 1-1/4 PN PH MS BO
8.20	11600518	NUT 6-32 ZINC KEP
8.21	11300130	SCREW, 10-24 x 1.5 PH TR MS
8.22	Chassis Component	FUSE BLOCK (Reference Only)
8.23	11000183	WASHER, FLAT #6 3/8 OD STL ZINC
8.24	06918374	BRACKET, FUSE BLOCK SUPPORT
8.25	22815001	BRACKET, DASH/ISLAND SUPPORT
8.26.1	22814720	BRACKET, MAIN DASH SUPPORT
8.26.2	22814804	BRACKET, MAIN DASH SUPPORT
8.27	22814719	BRACKET, 4-SWITCH PANEL (2)



Continued

8—Dash

One-piece Lift-up (continued)



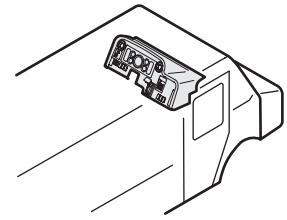
Dash, One-piece Lift-up

Utilimaster, 65528 State Road 19, P.O. Box 585, Wakarusa, IN 46573-0585, U.S.A.

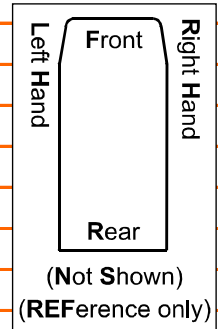
Email CustSvc@Utilimaster.com or Browse the web site www.utilimaster.com.

Call 800-237-7806 (or 574-862-3219) or Fax to 574-862-7637.

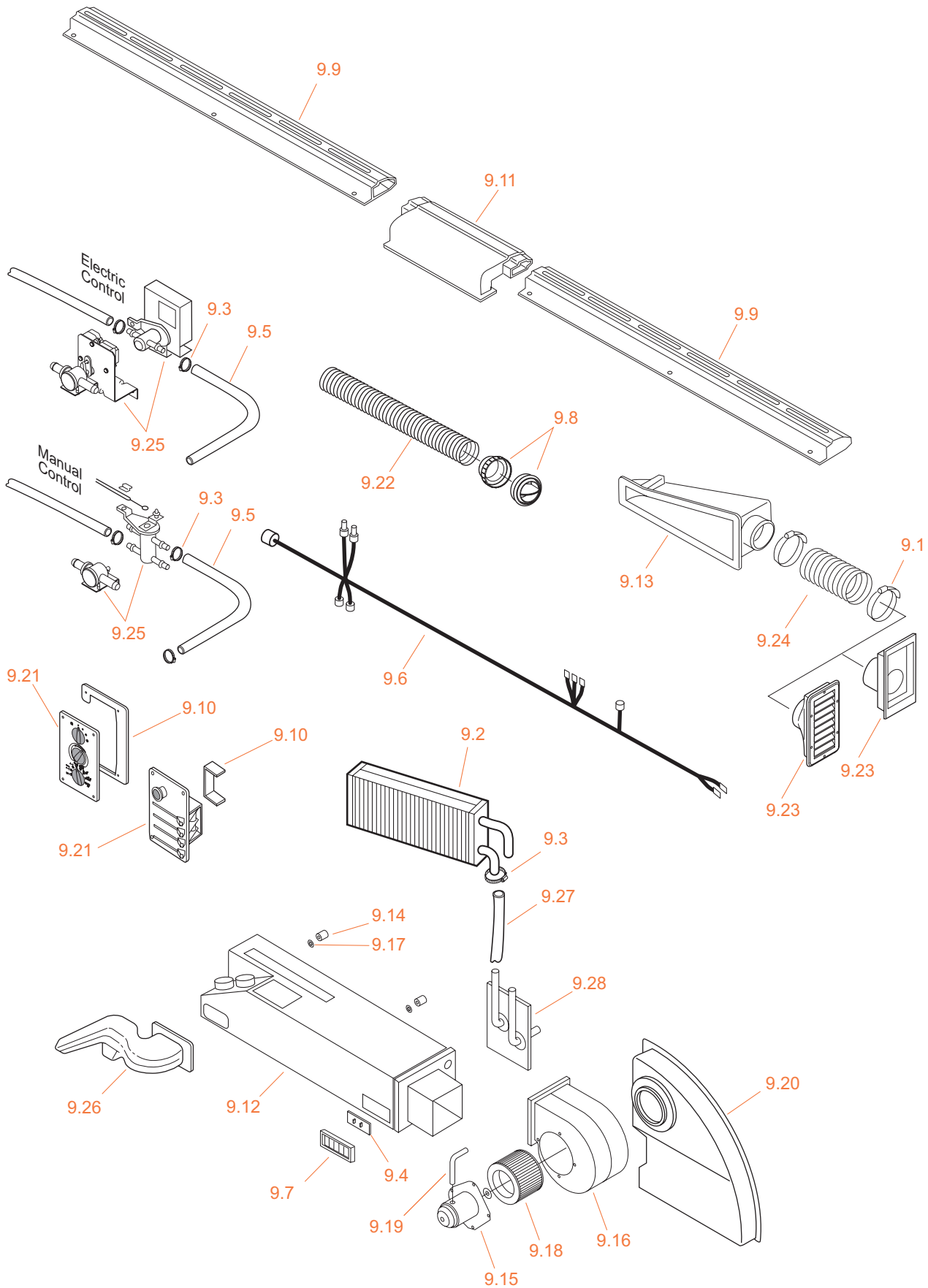
(See the Decoding Part Numbers section for Item, Part, and Description codes.)



Item	Part Number	Description
8.28	06920070	BRKT FUSEBLOCK LH OF DASH #33
8.29	06918375	DASH SUPPORT BRKT HARNESS CONN
8.30	11001401	TORX SCREW, 1/4-20
8.31	16015625	COVER, ROCKER SWITCH - BLANK
8.NS	12300537	TAPE, RUBBER 1/16" x 1" BLACK
8.NS	06918467	CLIP IP-BEZEL SMALL #33 IA101
8.Ref	54232955	INSTALLATION FUSEBLOCK SUPPORT #33
8.Ref	64236344	DASH SHIFT BRKT INST
8.Ref	64236995	INSTALLATION CRUISE CONTROL #33
8.Ref	64236762	INSTALL FUSE BLOCK LH GM #33



9—Heat (Only) System



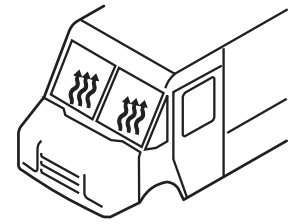
Heat (Only) System

Utilimaster, 65528 State Road 19, P.O. Box 585, Wakarusa, IN 46573-0585, U.S.A.

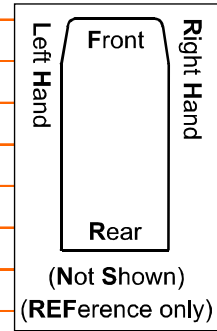
Email CustSvc@Utilimaster.com or Browse the web site www.utilimaster.com.

Call 800-237-7806 (or 574-862-3219) or Fax to 574-862-7637.

(See the Decoding Part Numbers section for Item, Part, and Description codes.)

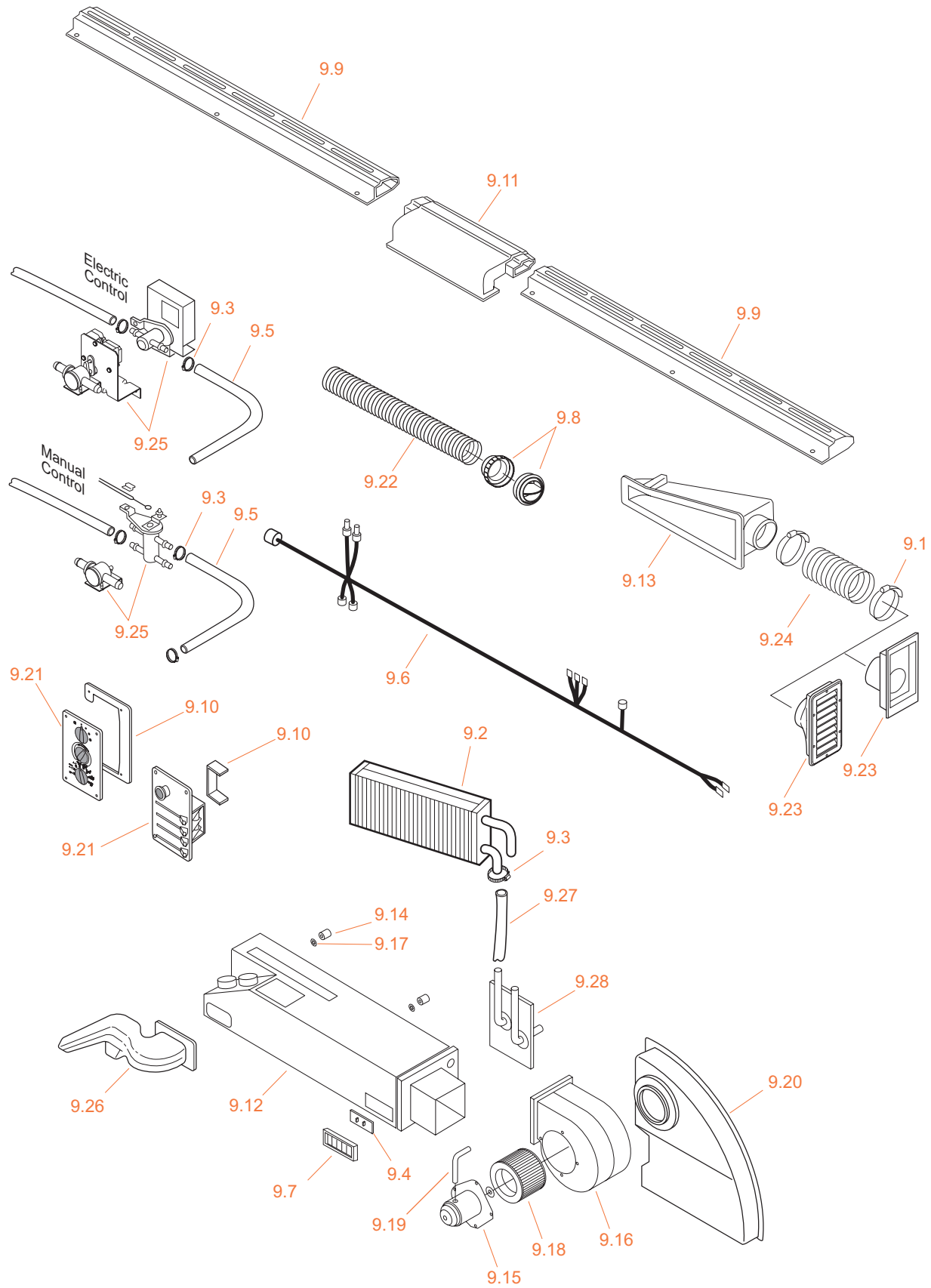


Item	Part Number	Description
9.0 H		PLENUM HTR ELECT 2"
9.1	08707558	CLAMP HOSE 4.5"
9.2.1	17900938	HEATER CORE W/END CAP
9.2.2	17900937	HEATER CORE W/90° TUBE
9.2.3	17900938	KIT 2" HTR CORE (ONLY) 31, 32, 33, 35
9.3	08707557	CLAMP, HOSE
9.4	17990626	RESISTOR
9.5.1	18504604	HOSE SILICONE 5/8" I.D. HTR HS
9.5.2	19200949	HOSE 5/8 ID GRN STRIPE
9.6	17990533	HARNES, HEATER LAMPS
9.7	07200065	DUCT RH FLOOR DUMP
9.8	17990611	HEATER LOUVER
9.9 LH	17990654	DEFROST DUCT LH
9.9 RH	17990655	DEFROST DUCT RH
9.10.1	06915592	MOUNT HEATER CONTROL .09AL #30-36
9.10.2	17900864	CONTROL CABLE RETAIN
9.11	17900544	TRANSITION DUCT ASSY
9.12.1 E	17900777	PLENUM HTR ELECT 2"
9.12.2 E	17900853	PLENUM HTR ELECT
9.12.1 M	17900778	** PLEN HTR CABL TUB/FIN
9.12.2 M	17900893	PLENUM HEATER CABLE
9.12.3 M	17900894	PLENUM HEATER CABLE
9.13	17900585	FRESH AIR INLET
9.14.1	17900730	SPACER PLENUM 5/8" (Electronic)
9.14.2	17900473	SPACER PLENUM 5/8" (Manual)
9.14.3	17900731	SPACER PLENUM 3/4" (Electronic)
9.14.4	17900528	SPACER PLENUM 3/4" (Manual)
9.14.5	17900732	SPACER PLENUM 1" (Electronic)
9.14.6	17900474	SPACER PLENUM 1" (Manual)
9.15	17900620	BLOWER MOTOR ONLY
9.16 .0	17900701	BLWR MOTOR ASY W/LNG LIFE MTR
9.16.1	17990649	BLOWER HOUSING
9.16.2	17900438	CLIP, BLOWER HOUSING
9.17.1	17900733	PLENUM SPACER RET CLIP (Electronic)
9.17.2	17900475	PLENUM SPACER RET CLIP (Manual)



Continued

9—Heat (Only) System (continued)



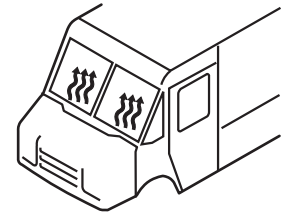
Heat (Only) System

Utilimaster, 65528 State Road 19, P.O. Box 585, Wakarusa, IN 46573-0585, U.S.A.

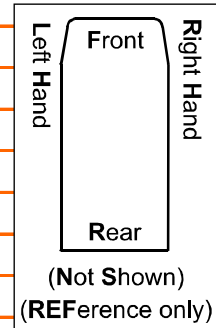
Email CustSvc@Utilimaster.com or Browse the web site www.utilimaster.com.

Call 800-237-7806 (or 574-862-3219) or Fax to 574-862-7637.

(See the Decoding Part Numbers section for Item, Part, and Description codes.)

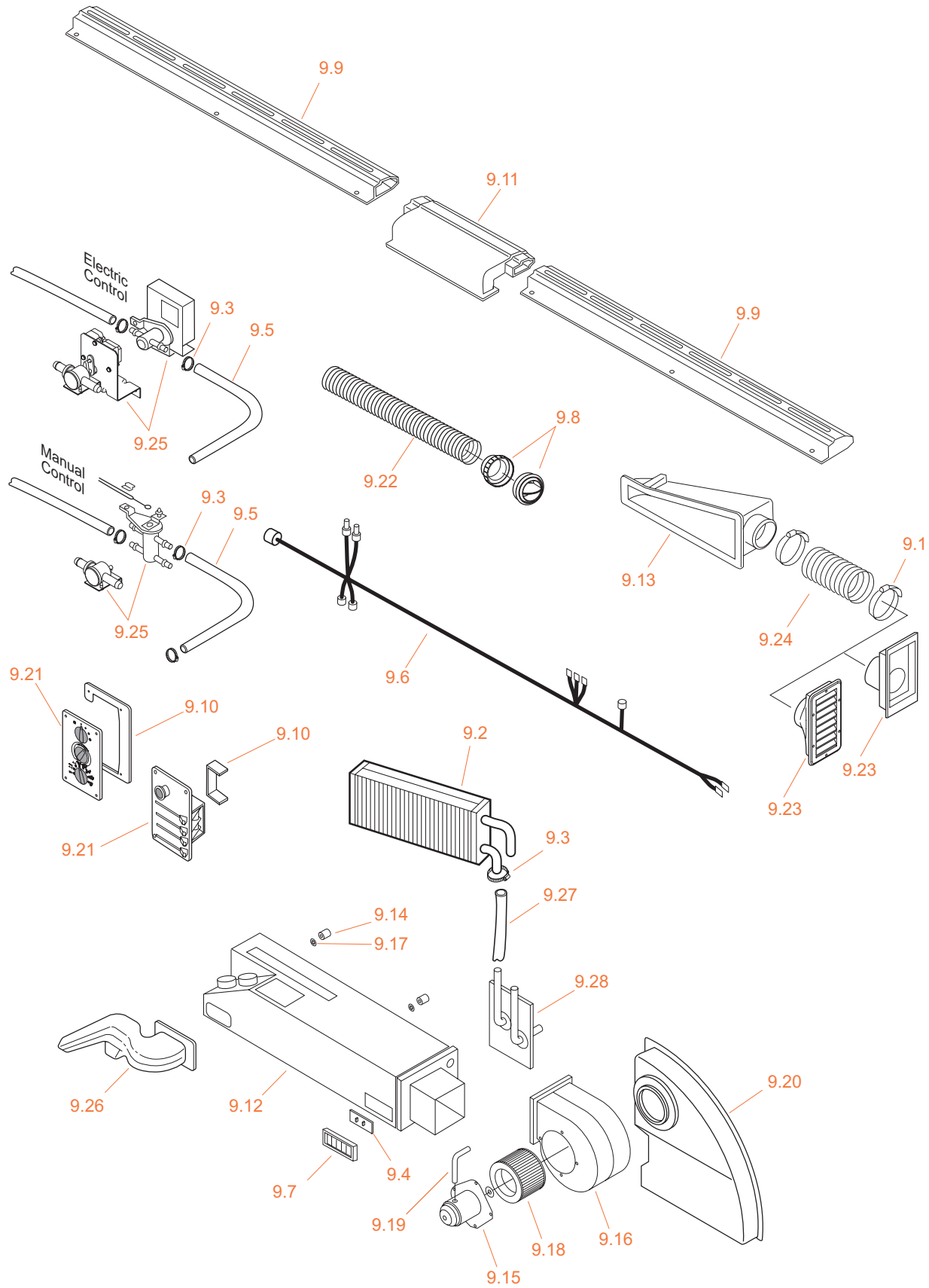


Item	Part Number	Description
9.18	17990588	BLOWER WHEEL
9.19	17900439	VENT TUBE
9.20	17990659	INLET DUCT
9.21 E	17900758	HEAD ELEC CTRL HTR
9.21 M	17900586	CONTROL HEAD ASSY HTR
9.21.01	17990869	BLOWER SWITCH
9.21.02	17990722	SWITCH CONTROL HD POTENT
9.21.03	17990723	SWITCH HEAT MODE W\HARNES
9.21.04	17990724	SWITCH AC MODE W\HARNES
9.21.05	17990717	BLOWER SWITCH KNOB
9.21.06	17990632	CONTROL LEVER
9.21.07	17990633	CONTROL LEVER KNOB
9.21.08	17900758	CONTROL PLATE
9.21.09	07206223	CONTROL PLATE DECAL (HEAT ONLY)
9.21.10	17900746	CONTROL HOUSING
9.21.11	17990718	CONTROL KNOB POTENT
9.21.12	17990719	CONTROL KNOB MODE
9.21.13	17990725	CONTROL MODULE HEAT
9.22	17900493	HOSE 2.5" FLEX HEAT DUCT
9.23.1	07206117	**PLENUM INLET AIR
9.23.2	17900920	LOUVER ASSEMBLY ABS
9.24	01401392	HOSE 4" ID x 6' AIR DUCT BLACK
9.25.1	23002134	VALVE (ONLY) COOLANT PLSTIC RETROFIT
9.25.2	17900974	VALVE COOLANT W\SERVO WATER RESIS
9.25.3	23002127	VALVE AND SEVO SK W\ADAPTORS
9.25.4	17900374	**VALVE SHUTOFF 2-PORT METAL MANUAL
9.25.5	17900712	**VALVE SHUTOFF ELECT
9.25.6	17900857	**VALVE COOLANT SEALED METAL ELECT
9.26	07206129	DUCT LH FLOOR
9.27.1	17900748	HTR HOSE MOLDED BKHD
9.27.2	17900490	HOSE HTR .63 MOLDED 90°
9.28.1	17900814	TUBE BLKHD FTG STD
9.28.2	17900824	TUBE BHD FITTING
9.28.3	17900722	**TUBE BLKHD FTG 35-02188



Continued

9—Heat (Only) System (continued)



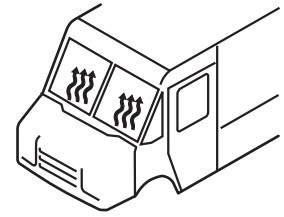
Heat (Only) System

Utilimaster, 65528 State Road 19, P.O. Box 585, Wakarusa, IN 46573-0585, U.S.A.

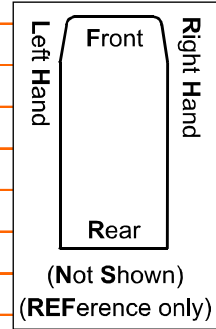
Email CustSvc@Utilimaster.com or Browse the web site www.utilimaster.com.

Call 800-237-7806 (or 574-862-3219) or Fax to 574-862-7637.

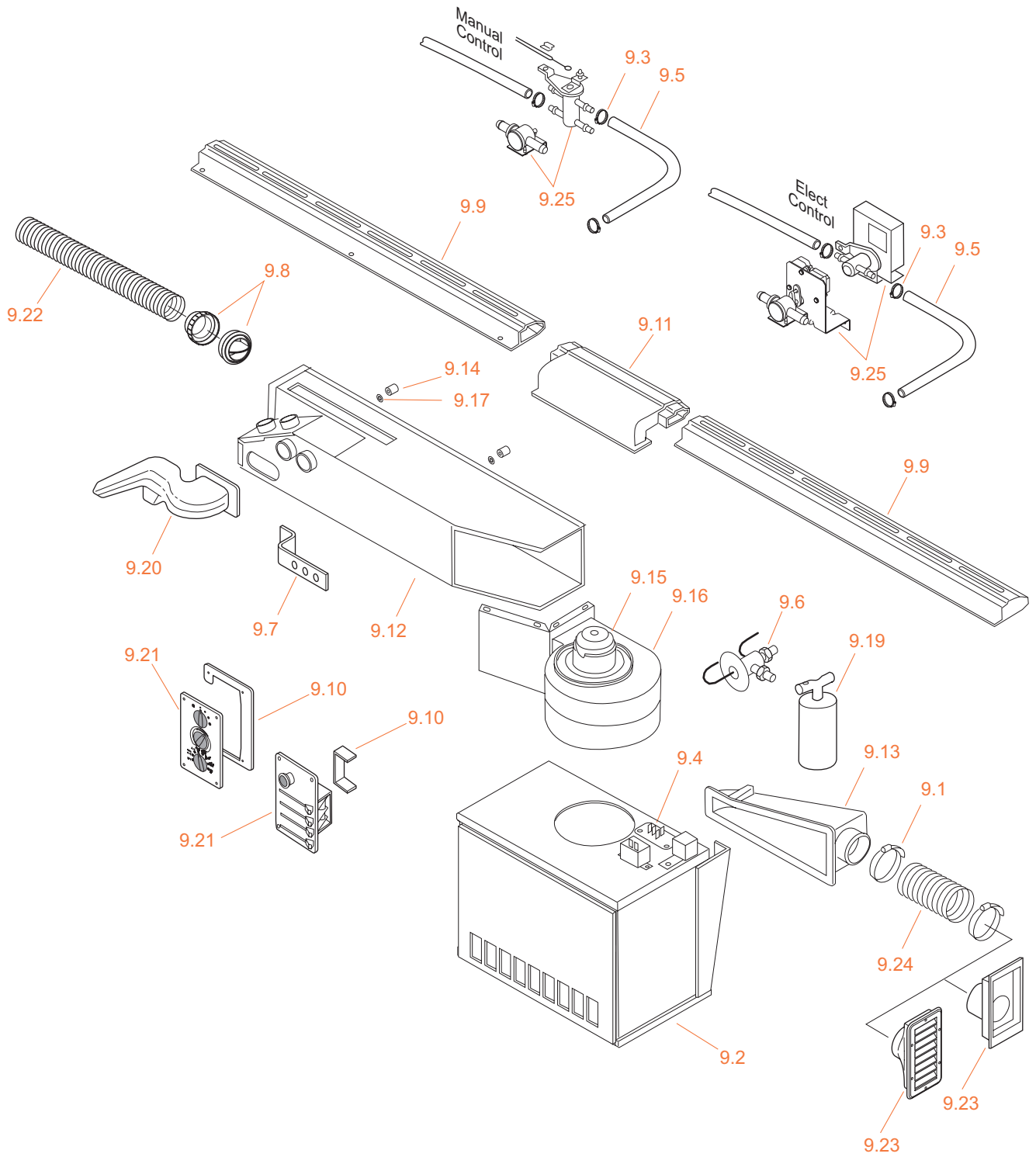
(See the Decoding Part Numbers section for Item, Part, and Description codes.)



Item	Part Number	Description
9.NS	17990698	CABLE HTR CNTRL 50"
9.NS	08707556	CLAMP HOSE 11/16 1-1/4
9.NS	08707481	CLAMP VINYL COATED 7/8"
9.NS	08707479	CLAMP VINYL-COATED 1-1/2"
9.NS	08706165	CLAMP, HOSE 5/8"
9.NS	17900587	HARDWARE SACK HEATER
9.NS	17208044	HEATER 65,000 BTU
9.NS	17208039	HEATER AUX 30M-BTU
9.NS	17208031	HEATER AUX 50K BTU
9.NS	17900607	HEATER AUX 12.5K BTU 2 SPEED
9.NS	17990638	HEATER RELAY
9.NS	17990648	HTR AUX 12,500 BTU
9.NS	17990721	MOTOR ACTUATOR ALL DR
9.NS	17990720	MOTOR ACTUATOR WATER VALVE
9.NS	16512931	PLENUM BULB
9.NS	12300540	SEALANT BLACK
9.Ref	64236138	INSTL PLENUM SPACER CHART (Manual)
9.Ref	64236585	INSTL PLENUM SPACER CHART (Electronic)
See also Air Conditioning System.		



9—Heating and Air Conditioning System



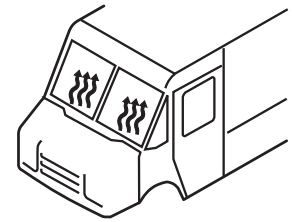
Heating and Air Conditioning System

Utilimaster, 65528 State Road 19, P.O. Box 585, Wakarusa, IN 46573-0585, U.S.A.

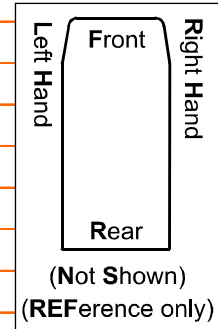
Email CustSvc@Utilimaster.com or Browse the web site www.utilimaster.com.

Call 800-237-7806 (or 574-862-3219) or Fax to 574-862-7637.

(See the Decoding Part Numbers section for Item, Part, and Description codes.)

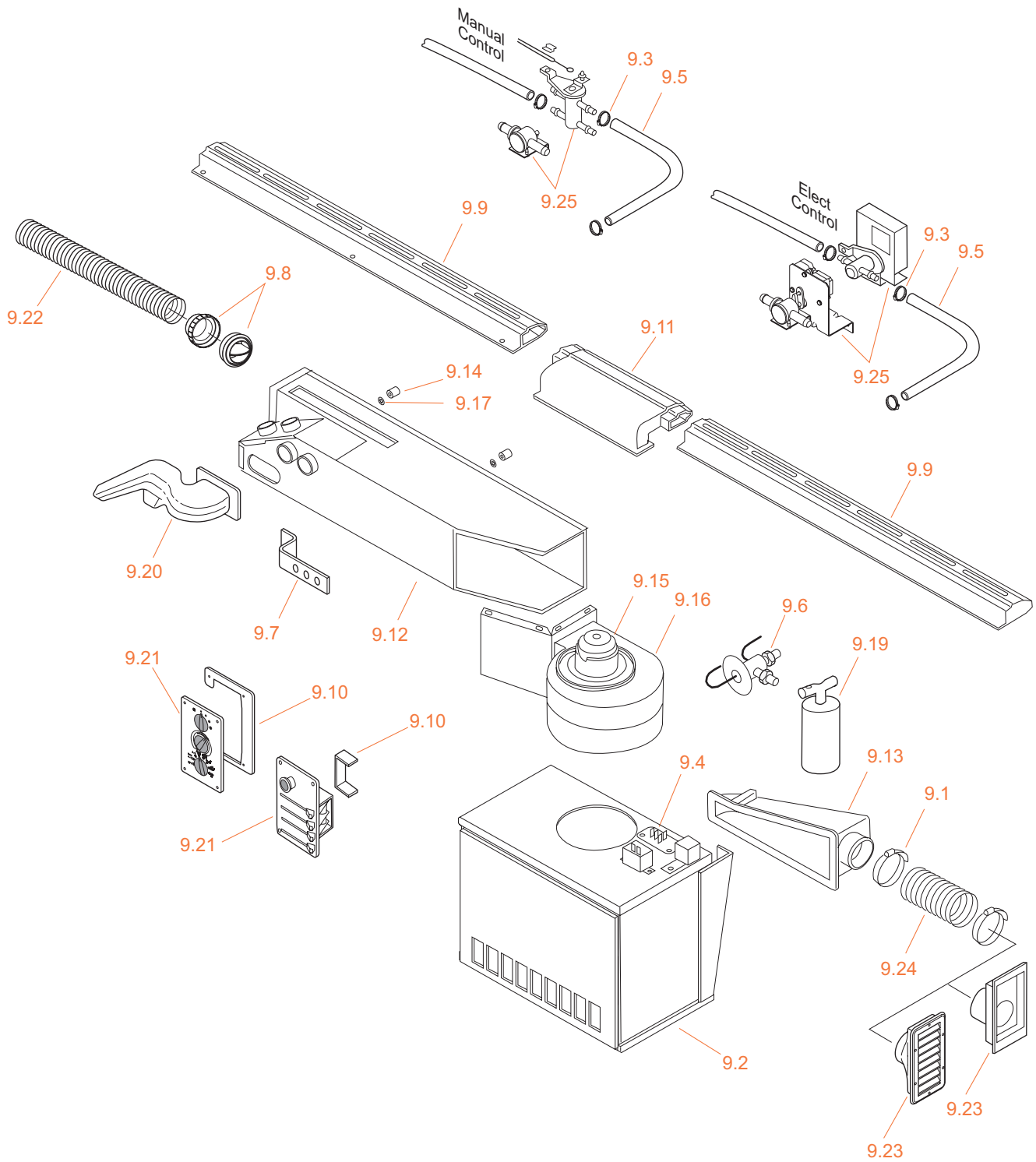


Item	Part Number	Description
9.0 A		PLEN A/C ALL BLK
9.1	08707558	CLAMP HOSE 4.5"
9.2	17900855	EVAP ASSY ELECT
9.3	08707557	CLAMP HOSE
9.4	17990626	RESISTOR
9.5.1	18504604	HOSE SILICONE 5/8" I.D. HTR HS
9.5.2	19200949	HOSE 5/8 ID GRN STRIPE
9.6	BSNR	EXPANSION VALVE
9.7	22813702	BRKT A/C MULTI PURPOSE
9.8	17990611	HEATER LOUVER
9.9 LH	17990654	DEFROST DUCT LH
9.9.1 RH	17990655	DEFROST DUCT RH
9.9.2 RH	17900856	DEFROST DUCT RH
9.10.1	06915592	MOUNT HEATER CONTROL .09AL #30-36
9.10.2	17900864	CONTROL CABLE RETAIN
9.11	17900544	TRANSITION DUCT ASSY
9.12	17900743	PLEN A/C ELCT ALL BLK
9.13	17900585	FRESH AIR INLET
9.14.1	17900730	SPACER PLENUM 5/8" (Electronic)
9.14.2	17900473	SPACER PLENUM 5/8" (Manual)
9.14.3	17900731	SPACER PLENUM 3/4" (Electronic)
9.14.4	17900528	SPACER PLENUM 3/4" (Manual)
9.14.5	17900732	SPACER PLENUM 1" (Electronic)
9.14.6	17900474	SPACER PLENUM 1" (Manual)
9.15	17900620	BLOWER MOTOR, HEAT
9.16.0	17900744	BLOWER ASY A/C ELECT
9.16.1	17900854	BLWR MTR ASSY W/RECIR 70-06759
9.16.2	17900701	BLOWER MOTOR HOUSING, HEAT
9.16.3	17900744	BLOWER ASY A/C ELECT 70-05992
9.17.1	17900733	PLENUM SPACER RET CLIP (Electronic)
9.17.2	17900475	PLENUM SPACER RET CLIP (Manual)
9.18	17990588	BLOWER WHEEL
9.19.0	BSNR	REC/DRY LIT ELCT
9.19.1	BSNR	HIGH PRESSURE SWITCH
9.20	07206129	DUCT LH FLOOR



Continued

9—Heating and Air Conditioning System (continued)



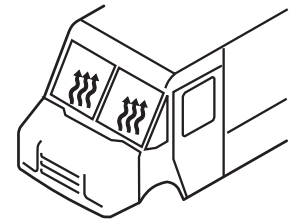
Heating and Air Conditioning System

Utilimaster, 65528 State Road 19, P.O. Box 585, Wakarusa, IN 46573-0585, U.S.A.

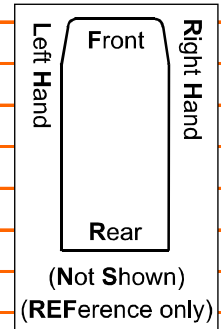
Email CustSvc@Utilimaster.com or Browse the web site www.utilimaster.com.

Call 800-237-7806 (or 574-862-3219) or Fax to 574-862-7637.

(See the Decoding Part Numbers section for Item, Part, and Description codes.)

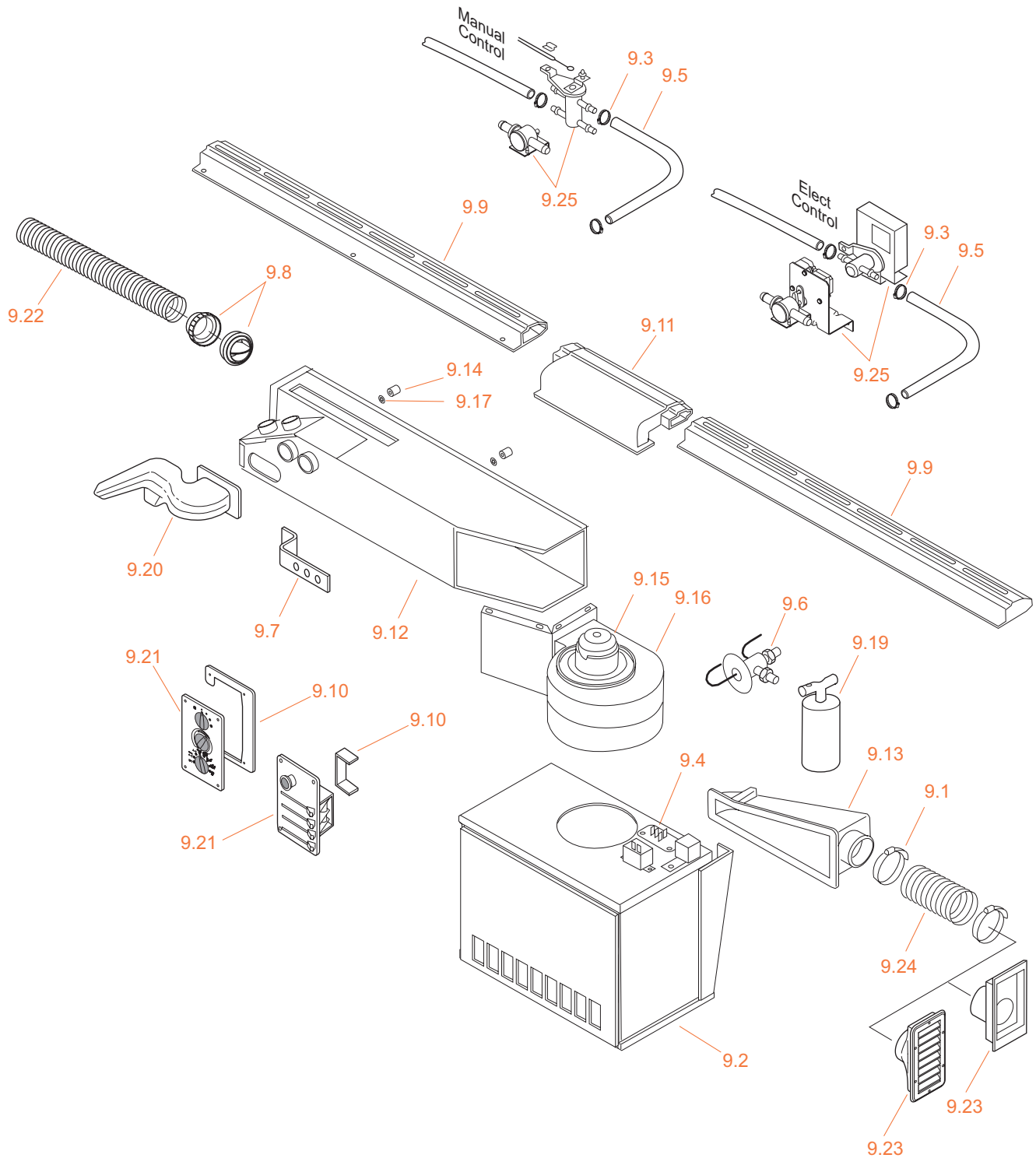


Item	Part Number	Description
9.21.0	17900746	CONTROL HOUSING ELECTRIC
9.21.1	17990869	BLOWER SWITCH
9.21.2	17990722	SWITCH CONTROL HD POTENT
9.21.3	17990723	SWITCH HEAT MODE W/HARNESS
9.21.4	17990724	SWITCH AC MODE W/HARNESS
9.21.5	17990717	BLOWER SWITCH KNOB
9.21.6	17990719	CONTROL KNOB MODE
9.21.7	07206224	CONTROL PLATE DECAL (AC)
9.22	17900493	HOSE 2.5" FLEX HEAT DUCT
9.23.1	07206117	PLENUM INLET AIR
9.23.2	17900920	LOUVER ASSEMBLY ABS
9.24	01401392	HOSE 4" ID x 6' AIR DUCT BLACK
9.25.1	23002134	VALVE (ONLY) COOLANT PLSTIC RETROFIT
9.25.2	17900974	VALVE COOLANT W/SERVO WATER RESIS
9.25.3	23002127	VALVE AND SEVO SK W/ADAPTORS
9.25.4	17900374	**VALVE SHUTOFF 2-PORT METAL MANUAL
9.25.5	17900712	**VALVE SHUTOFF ELECT
9.25.6	17900857	**VALVE COOLANT SEALED METAL ELECT
9.NS	17900547	A/C PRESS SW FEMALE
9.NS	07206115	A/C WASHER SEAL SMALL
9.NS	22813700	BRKT A/C COMP 5.7/4.3 #33
9.NS	08707481	CLAMP VINYL COATED 7/8"
9.NS	08707479	CLAMP VINYL-COATED 1-1/2"
9.NS	17900375	COMPRESSOR
9.NS	07206148	GASKET A/C DUCT TO PLENUM
9.NS	17990614	GASKET/O-RING
9.NS	16512035	HARNESS A/C JUMPER GM
9.NS	17990638	HEATER RELAY
9.NS	17900623	KIT A/C '98 GM STD
9.NS	17900753	REC/DRIER STD BLK PCK
9.NS	17900752	SACK KIT ELECT
9.NS	12300540	SEALANT BLACK



Continued

9—Heating and Air Conditioning System (continued)



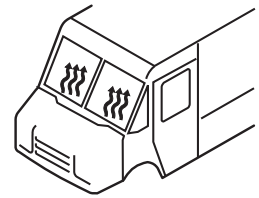
Heating and Air Conditioning System

Utilimaster, 65528 State Road 19, P.O. Box 585, Wakarusa, IN 46573-0585, U.S.A.

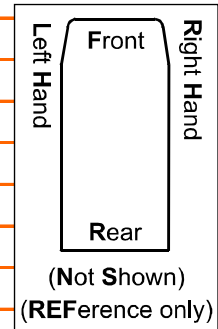
Email CustSvc@Utilimaster.com or Browse the web site www.utilimaster.com.

Call 800-237-7806 (or 574-862-3219) or Fax to 574-862-7637.

(See the Decoding Part Numbers section for Item, Part, and Description codes.)

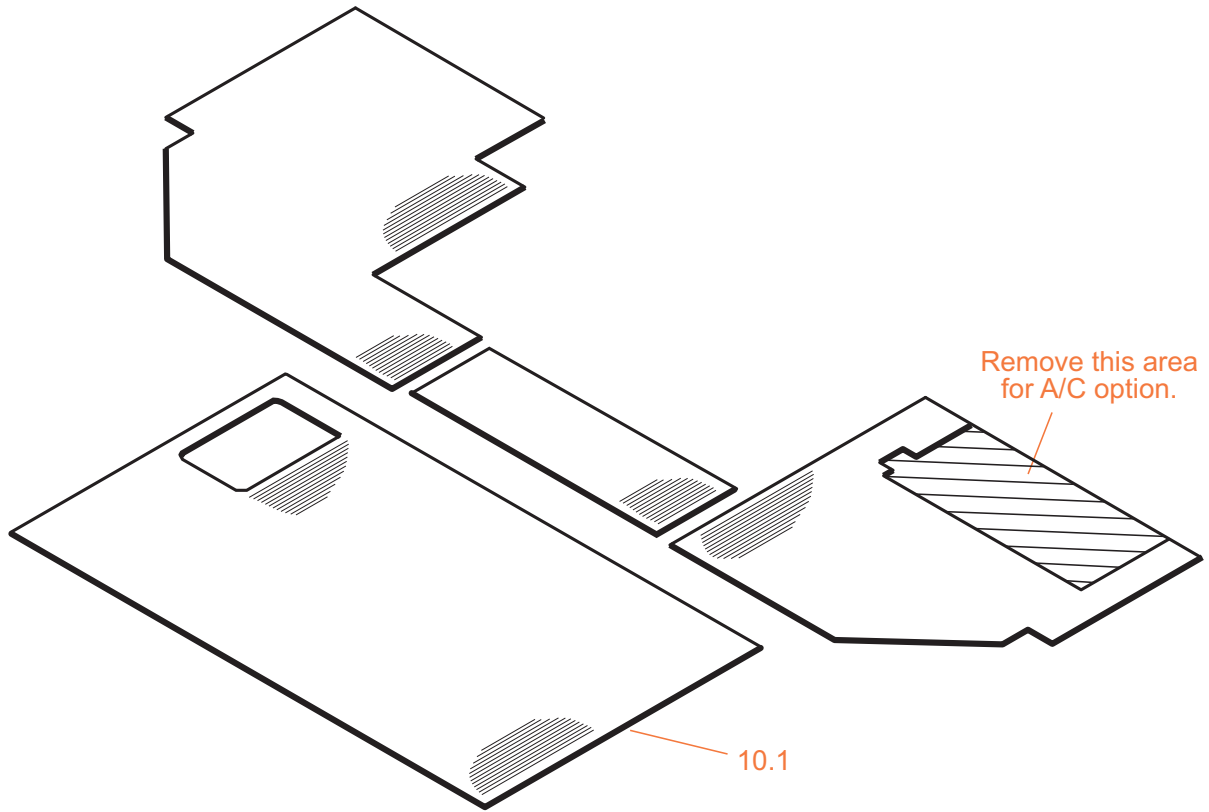


Item	Part Number	Description
The following air conditioning hoses are not shown in the illustration.		
9.Hose	17900510	HOSE ASSY GM DRYER 4.3, 5.7, 6.5
9.Hose	17900509	HOSE ASY GM MANFIFOLD HOSE DIESEL
9.Hose	17900618	HOSE S/ASSY W/MAN W/O PREP #33
9.Hose	17900606	CMPRSR 6.5L VERT PORT
9.Hose	17900612	CMPRSR MNT KIT '97 GM
9.Hose	17900597	HOSE ASSY A/C DRYER GM 4.3L
9.Hose	17900598	HOSE ASSY A/C EVAP GM 4.3, 5.7
9.Hose	17900816	** HOSE A/C MANIFOLD GM/WORK
9.Hose	17900511	HOSE ASSY GM EVAP 4.3, 5.7L
9.Hose	17900433	KIT AC FTNG M 4.3
9.Hose	17900981	HOSE A/C #8 COND CMNS W/PREP #33
9.Hose	17900982	HOSE A/C #6 DRYER CMNS W/PREP #33
9.Hose	17900499	GM LOW PRESS SWITCH GM
9.Hose	17900417	COND KIT GM W/O ACPRP
9.Hose	17900486	HOSE S/ASY 6.5D PREP DRYR/EVAP #33
9.Hose	17900979	HOSE A/C #6 EVAP CMNS W/PREP #33
9.Hose	17900980	HOSE A/C #10 COMP CMNS W/PREP #33
9.Hose	17900983	HOSE A/C #8 COND CMNS W/O PREP #33
9.Hose	17900984	HOSE A/C #6 DRYER CMNS W/O PREP #33
9.Hose	17900970	CONDENSER GM W/CUMMINS 4BT ISB
For covers, see Section 13.		



10—Cab Floor Matting

Ribbed



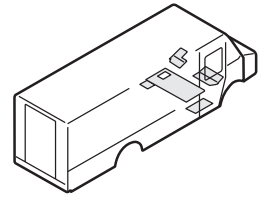
Cab Floor Matting, Ribbed

Utilimaster, 65528 State Road 19, P.O. Box 585, Wakarusa, IN 46573-0585, U.S.A.

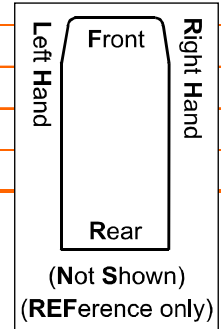
Email CustSvc@Utilimaster.com or Browse the web site www.utilimaster.com.

Call 800-237-7806 (or 574-862-3219) or Fax to 574-862-7637.

(See the Decoding Part Numbers section for Item, Part, and Description codes.)

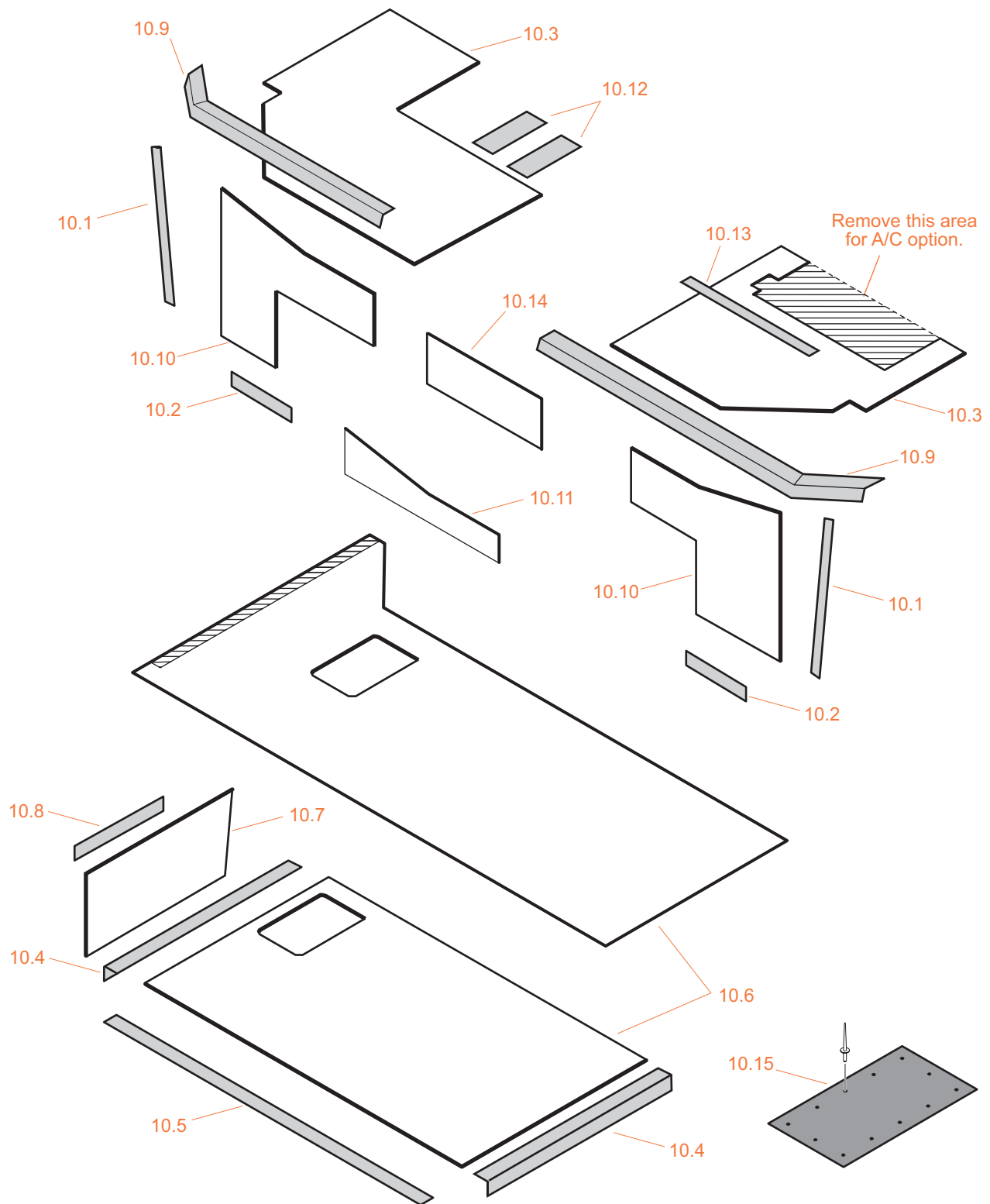


Item	Part Number	Description
10.0 R		CAB MAT RIBBED
10.1	01520206	RUBBER MAT RIBBED 36"W ROLL
10.2	21311127	VINYL MAT DIAMOND-TREAD
10.NS	12303601	SAFETY WALK 2IN x 60FT ROLL



10—Cab Floor Matting

Heavy-duty



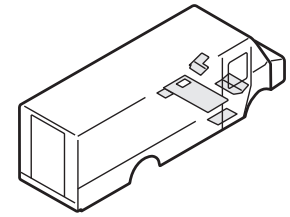
Cab Floor Matting, Heavy-duty

Utilimaster, 65528 State Road 19, P.O. Box 585, Wakarusa, IN 46573-0585, U.S.A.

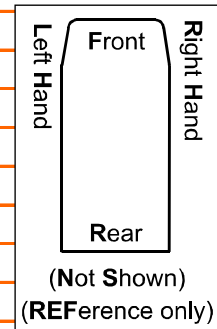
Email CustSvc@Utilimaster.com or Browse the web site www.utilimaster.com.

Call 800-237-7806 (or 574-862-3219) or Fax to 574-862-7637.

(See the Decoding Part Numbers section for Item, Part, and Description codes.)

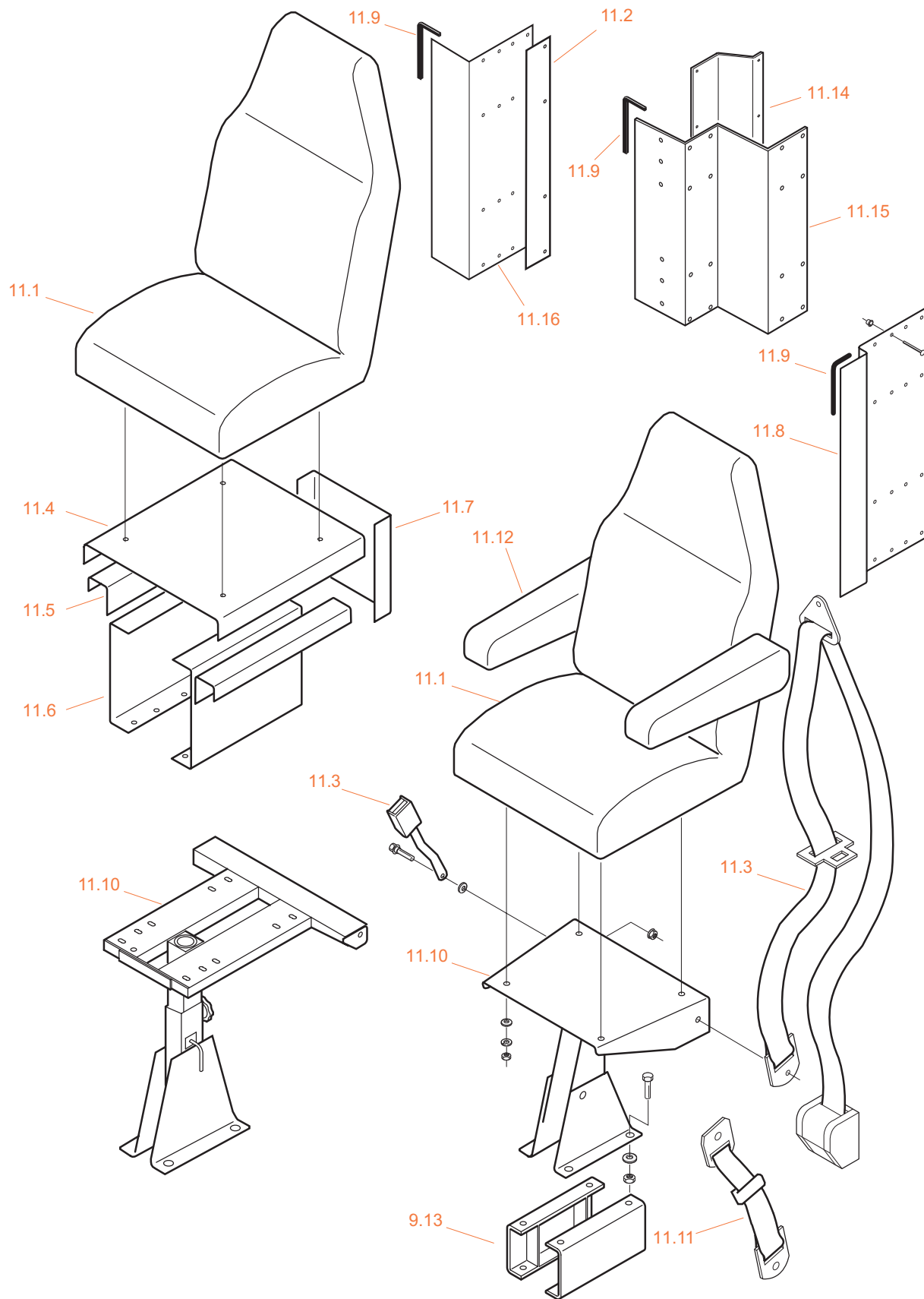


Item	Part Number	Description
10.0 H		CAB MAT INSULATED GM/WH #33
10.1	06916627	TRIM MAT SWELL VERTICAL #33
10.2.1	06916630	TRDPL .100 X 2.00 X 9.50
10.2.2	06917584-CHART	TRDPL .100 x 2
10.3 LH-N	14200639	MAT FL RISER LH 78.5 #33
10.3 LH-W	14200637-Width	MAT FL RISER LH #33
10.3 RH-N	14200638	MAT FL RISER RH 78.5 #33
10.3 RH-W	14200636-Width	MAT FL RISER RH #33
10.4 LH	06916191-02800	TRIM MAT RISER LH 28.00 30-36
10.4 RH	06916189-02800	TRIM MAT RISER RH 28.00 30-36
10.5	06916629-Length	TRIM MAT CRGO FLR
10.6.1	14200640	MAT CAB FLR CENTER #33
10.6.2	14200747-Width	MAT CAB FLR CNTR LH DRLS
10.7	14200642	MAT SWELL SIDE LH #33
10.8	06916628-02700	TRIM MAT SWELL SIDE LH #33
10.9.1 LH	06916190-Width	TRIM MAT RISER LH FRT #33
10.9.2 LH	06918331-Width	TRIM MAT RISER LH FRT #33 (Fiberglass Engine Cover)
10.9.1 RH	06916188-Width	TRIM MAT RISER RH FRT #33 (Fiberglass Engine Cover)
10.9.2 RH	06918330-Width	TRIM MAT RISER RH FRT #33
10.10 LH	14200641-CHART	MAT SWELL FRT LH #33
10.10 RH	14200643-Width	MAT SWELL FRT RH #33
10.11	14200748-Width	MAT SWELL FRT LH DRLS
10.12	06916631	TRDPL .100 x 3 x 8
10.13	06916826-Length	TRIM MAT PLENUM FRT
10.14	14200662	MAT FLR RISER 5.5 x 21.25
10.15	20510735-Width	STEP NON SKID BOTTOM LH CHART
10.Ref	51231417-Width	INST SLIP-GRIP KIT LH CHART #32-33
10.Ref	01902111	STEP SHORT MOUNT INFO LH 32-33
10.Ref	51231416	INST SLP-GRP RH #32-33
10.Ref	52232759	FLR FRT MAT LAYOUT 78.5 #33
10.Ref	52232757	FLR FRT MAT LAYOUT CHART #33
10.Ref	52232862	MAT FLR L/OUT DRLS LH 78.5 #33
10.Ref	52232863	MAT FRT FLR L/OUT DLH CHT #33
10.Ref	52232866	MAT FLR L/OUT DLH F/G 78.5 #33
10.Ref	52232867	MAT FLR L/OUT DLH F/G CHRT #33
10.Ref	52232869	MAT FLR L/O F/G SL/SL CHRT #33
10.NS	12400713	SIKAFLEX BLACK 11FLOZ



11—Seating

Standard



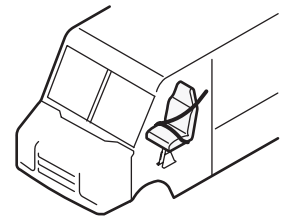
Seating, Standard

Utilimaster, 65528 State Road 19, P.O. Box 585, Wakarusa, IN 46573-0585, U.S.A.

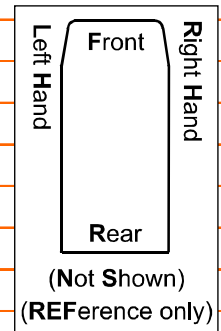
Email CustSvc@Utilimaster.com or Browse the web site www.utilimaster.com.

Call 800-237-7806 (or 574-862-3219) or Fax to 574-862-7637.

(See the Decoding Part Numbers section for Item, Part, and Description codes.)



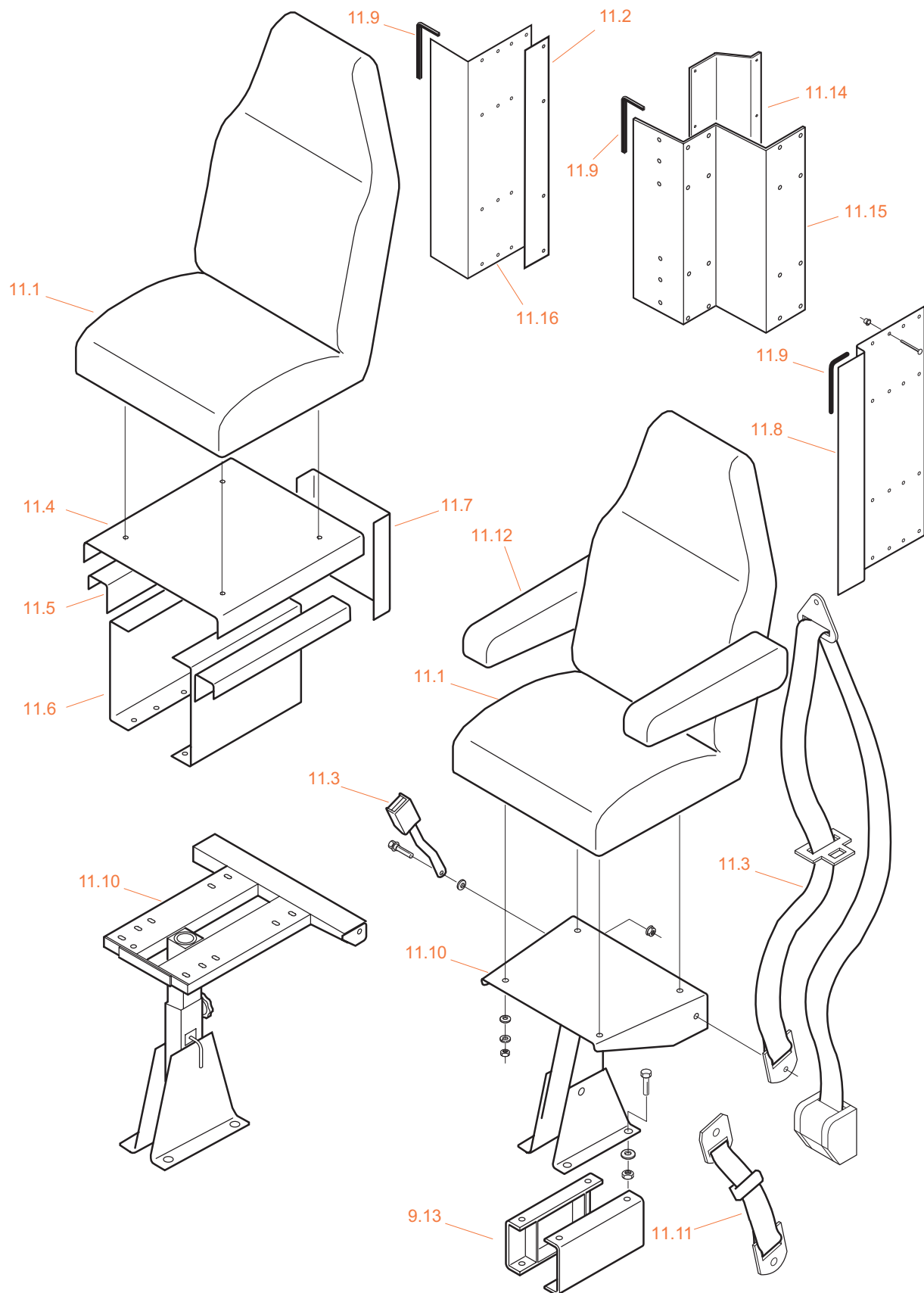
Item	Part Number	Description
11.0		SEATS
11.1.1	13672402	SEAT HB S&P
11.1.2	13105647	SEAT HB BLK VINYL
11.1.3	13112490	SEAT HB S&P W/LMBR
11.1.4	13112508	SEAT HB S&P
11.1.5	13672115	SEAT HB BLK CLOTH
11.1.6	13672415	SEAT HB BLK CORDURA
11.1.7	13672224	SEAT HB BLK NYL LMBR
11.1.8	13112207	SEAT HB BLK W/LMBR
11.1.9	13112517	SEAT HB BRN CORD
11.1.10	13672425	SEAT HB S&P W/LMBR 7" SLD
11.2	06915330	SPACER 3 PT MOUNT DRLS A&B
11.3.1	21310872	SEATBELT ADJ D-RING ORANGE 127"
11.3.2	21310802	SEATBELT ADJ D-RING OR 127
11.3.3	21310850	SEATBELT 3-PT 127" W/STL STRAP
11.4	22101997	RISER SEAT TOP VIKING T-BAR
11.5	22101998	RISER SEAT CHNL VIKING T-BAR
11.6	13112520	PEDESTAL SEAT SIDE VIKING
11.7	13112519	BACK PEDESTAL SEAT VIKING
11.8	22814305	MOUNT 3POINT SEATBELT
11.9	05302302	TRIM LOCK BLK 1/8" W/ALUM INST
11.10.1	13105617	PEDESTAL STATIONARY
11.10.2	13105613	PEDESTAL W/TILT TOP
11.10.3	13672271	HEIGHT ADJ PEDESTAL
11.10.4	13112487	PEDESTAL SW V/TILT 18-20"H
11.10.5	13672523	PEDESTAL 17" WIDE
11.11	08610021	BELT ADJ. TETHER 36"
11.12.1 LH	13112530	ARM LH BLK VINYL
11.12.1 RH	13112531	ARM RH BLK VINYL
11.12.2 LH	13112534	ARM LH SALT & PEPPER
11.12.2 RH	13112535	ARM RH SALT & PEPPER
11.12.3 LH	13112536	ARM LH BLK CLOTH
11.12.3 RH	13112537	ARM RH BLK CLOTH
11.12.4 LH	13112542	ARM LH RPS BROWN
11.12.4 RH	13112543	ARM RH RPS BROWN



Continued

11—Seating

Standard (continued)



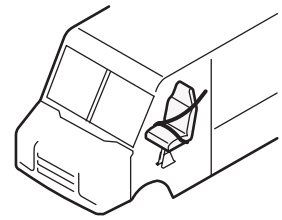
Seating, Standard

Utilimaster, 65528 State Road 19, P.O. Box 585, Wakarusa, IN 46573-0585, U.S.A.

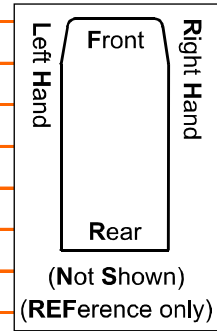
Email CustSvc@Utilimaster.com or Browse the web site www.utilimaster.com.

Call 800-237-7806 (or 574-862-3219) or Fax to 574-862-7637.

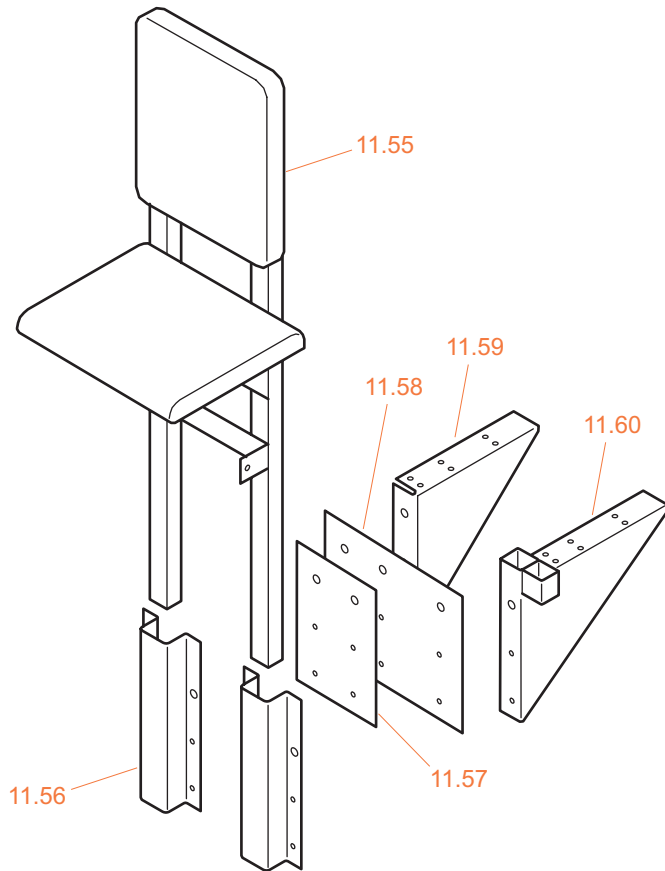
(See the Decoding Part Numbers section for Item, Part, and Description codes.)



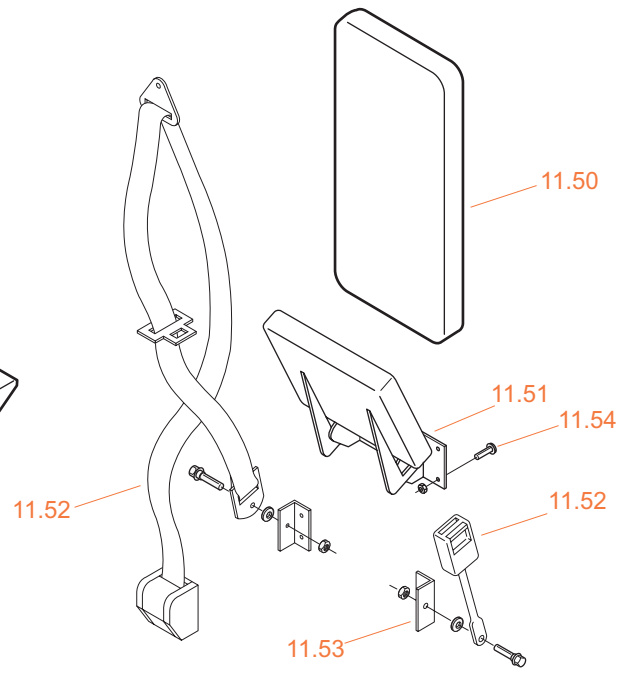
Item	Part Number	Description
11.13	13105574	PEDESTAL RISER 5"
11.14	22102006	BRACE 3PT SBELT MOUNT #30-36
11.15	22102005	MOUNT 3PT SBELT SETBACK #30-36
11.16.1	22100889	MNT 3PT 10GA x 4.75 x 8 x 24 DR PCKT
11.16.2	22101403	MOUNT 3PT S/BELT DD 6.25 x 8 x 24
11.Ref	64236228	SEAT PED & 2PT S/BELT INSTL
11.Ref	13112521	PEDESTAL ASY VIKING SEAT 32-35
11.Ref	64236149	PEDESTAL ASSY BOSTROM SEAT INSTL
11.Ref	54232130	DETAIL D-RING SEDAN DR
11.Ref	51231308	RELOCATION SEAT TO PEDESTAL
11.Ref	51231423	INSTL SEAT TO PEDESTAL (TORQUE VALUE)
See also Sections 1 and 14.		



11—Seating Jump



Removable Jump Seat



Bulkhead-mounted Jump Seat

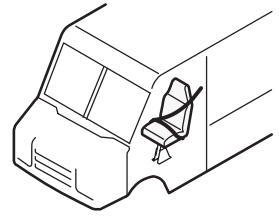
Seating, Jump

Utilimaster, 65528 State Road 19, P.O. Box 585, Wakarusa, IN 46573-0585, U.S.A.

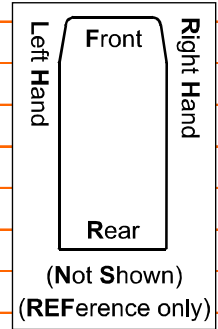
Email CustSvc@Utilimaster.com or Browse the web site www.utilimaster.com.

Call 800-237-7806 (or 574-862-3219) or Fax to 574-862-7637.

(See the Decoding Part Numbers section for Item, Part, and Description codes.)

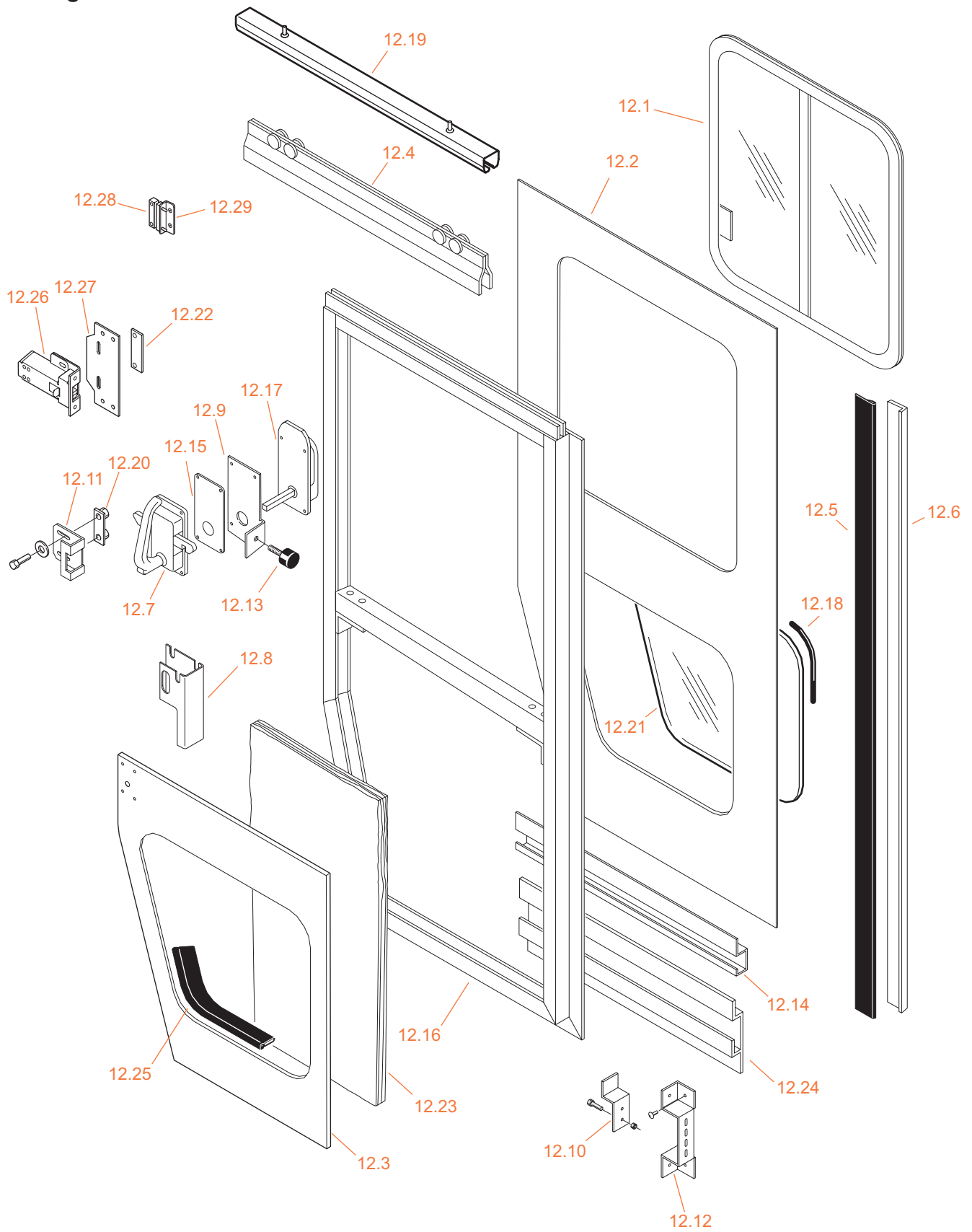


Item	Part Number	Description
11.50	Appendix 54231878	Cushion, Back W\Headrest
11.51	Appendix 54231878	Cushion, Back Highback
11.52.1	21311182	SEATBELT 3-PT 150" ORANGE
11.52.2	21311183	SEATBELT 3-PT 150" BLACK
11.52.3	21310802	SEATBELT ADJ D-RING OR 127
11.52.4	21310690	SEAT BELT 2PT W/RETRACT
11.53	22810292	MOUNT SEAT BELT 3PT BLKHD
11.54	11305092	SCREW 1/4-20 x 3/4 TR PH
11.55.1	13672221	JSEAT 10" W/BLT BLK VINYL
11.55.2	13672230	JSEAT 10" W/BLT BLK NYLON FABRIC
11.55.3	13672240	JSEAT 8" W/BLT SALT & PEPPER
11.55.4	13672258	JSEAT 10" S&P RECLINED 12434
11.55.5	13672223	JSEAT 8" W/BLT BLK 21146-001
11.56	01712184	BRACKET JUMP SEAT HAT 11.75"
11.57	22001746	PLATE JUMPSEAT BACKER
11.58.1	22815122	PLATE J/SEAT BCKR 8" CTS DP STP
11.58.2	22815136	PLATE JSEAT BCKR 10" CTS DP STP
11.59	22102014	BRACE J/SEAT RH
11.60	22102007	BRACE WELDMT JUMPSEAT
11.Ref	54231878	DETAIL-BHD J-ST INSTL
11.Ref	54232242	DETAIL, JUMPSEAT INST
11.Ref	54231877	DETAIL BHD J/ST D-RNG
See also Sections 1 and 14.		



12—Side Doors

Sliding



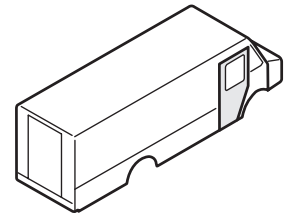
Side Doors, Sliding

Utilimaster, 65528 State Road 19, P.O. Box 585, Wakarusa, IN 46573-0585, U.S.A.

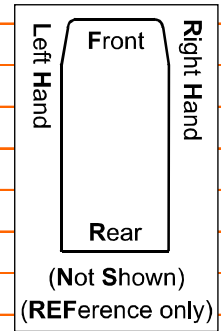
Email CustSvc@Utilimaster.com or Browse the web site www.utilimaster.com.

Call 800-237-7806 (or 574-862-3219) or Fax to 574-862-7637.

(See the Decoding Part Numbers section for Item, Part, and Description codes.)



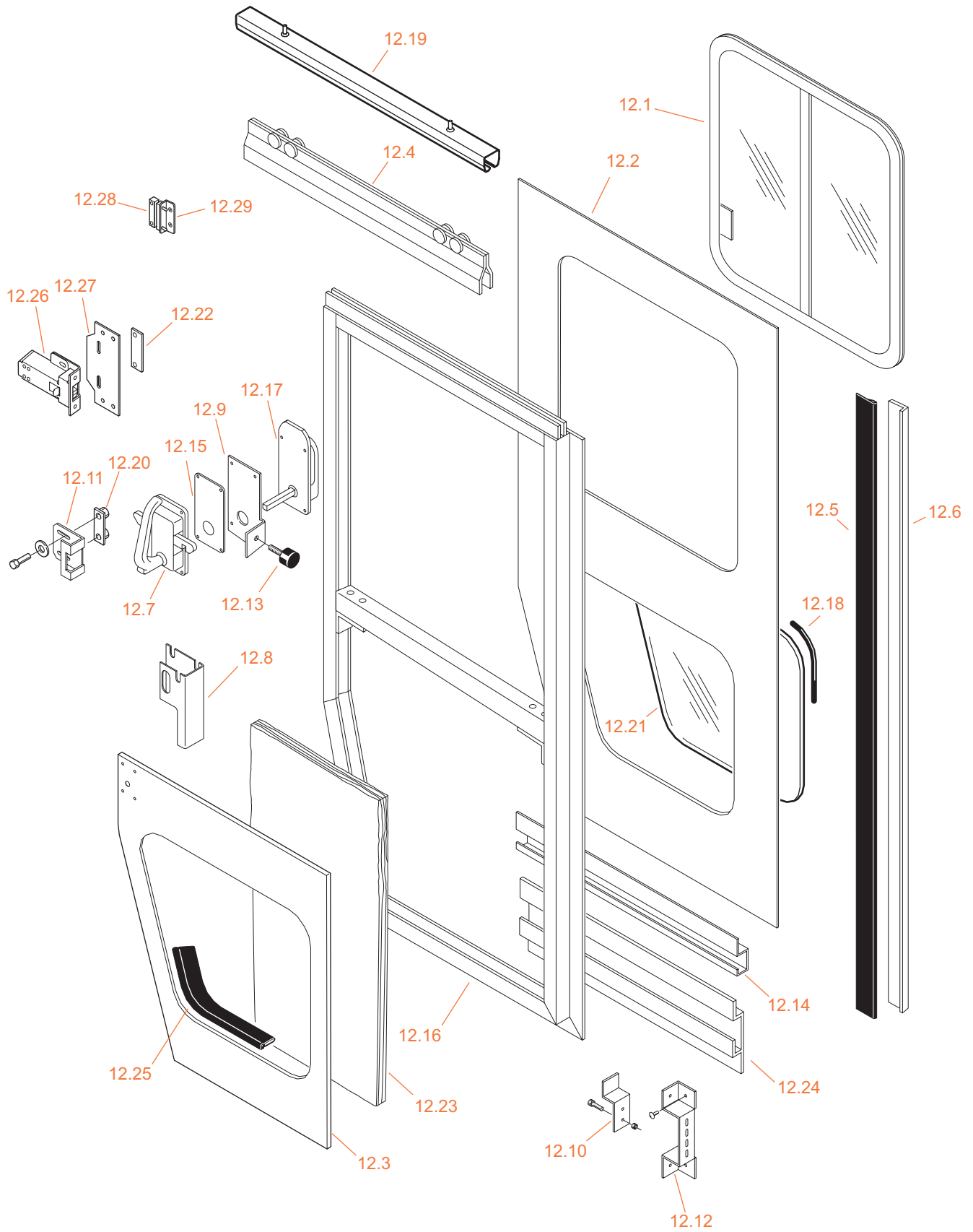
Item	Part Number	Description
12.0		DR ASY SLDR W/ALUM WDW
12.1.1 LH	09801507	WDW SLDR LTCH LH SLV
12.1.1 RH	09801508	WDW SLDR LTCH RH SLV
12.1.2 LH	09801509	WDW SLDR LTCH LH BLK
12.1.2 RH	09801510	WDW SLDR LTCH RH BLK
12.2	BSNR	METAL EXTR SLDR DR 8" LWR RH
12.3	BSNR	METAL INT SLDR DR W/WINDOW
12.4	08220195	ROLLER UPR ASY 39.69
12.5	05402170-Length	SEAL SLIDING DR RR
12.6	06013008	IA4161 ANGLE 06013008
12.7	Parts Guide	HANDLE PADDLE INT
12.8 LH	22815232	CHANNEL LATCH MTG LH SLDR DOOR
12.8 RH	22815231	CHANNEL LATCH MTG RH SLDR DOOR
12.9 LH	08401226	BRKT STOP SLD DR ZINC KASON LH
12.9 RH	08401225	BRKT STOP SLD DR ZINC KASON RH
12.10	08401252	CATCH SLDG DR RR KASON
12.11	08401266	CATCH SLDG DR FRT KASON
12.12 LH	22813406	MNT CATCH SLDG RECESSED LH
12.12 RH	08401250	CATCH SLDG DR RECESS RH KASON
12.13	08210016	STOP RUBBER FOR SLIDING DOORS
12.14.1 LH	06917286	IA8054 LWR GUIDE LH 4" LWR 06003904
12.14.1 RH	06917287	IA8054 LWR GUIDE RH 4" LWR 06003904
12.14.2 LH	06917286	IA8054 LWR GUIDE LH 4" LWR 06003904
12.14.2 RH	06917287	IA8054 LWR GUIDE RH 4" LWR 06003904
12.14.3 LH	06012406	LWR GUID LH 32.00 06003904
12.14.3 RH	06012489	LWR GUID RH 32.00 06003904
12.15	01700696	SHIM DOOR .25 x 5.50 x 2.5
12.16	BSNR	FRAME ASY SLDR
12.17	Parts Guide	HANDLE EXT
12.18.1	05402073	WINDSHIELD RUBBER 1/8
12.18.2	05402074	WINDOW RUBBER 3/32
12.19	08220192	TRK UP SLD 72" 1" BOLTS
12.20	08610402	PLATE ASY NUT KASON FRT CATCH



Continued

NOTE: The door frame is built in a fixture. If more than one extrusion is being replaced, it is recommended that you order a complete frame assembly.

12—Side Doors Sliding (continued)



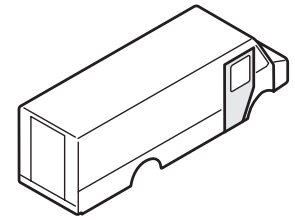
Side Doors, Sliding

Utilimaster, 65528 State Road 19, P.O. Box 585, Wakarusa, IN 46573-0585, U.S.A.

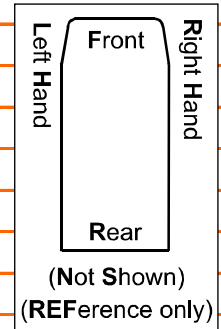
Email CustSvc@Utilimaster.com or Browse the web site www.utilimaster.com.

Call 800-237-7806 (or 574-862-3219) or Fax to 574-862-7637.

(See the Decoding Part Numbers section for Item, Part, and Description codes.)



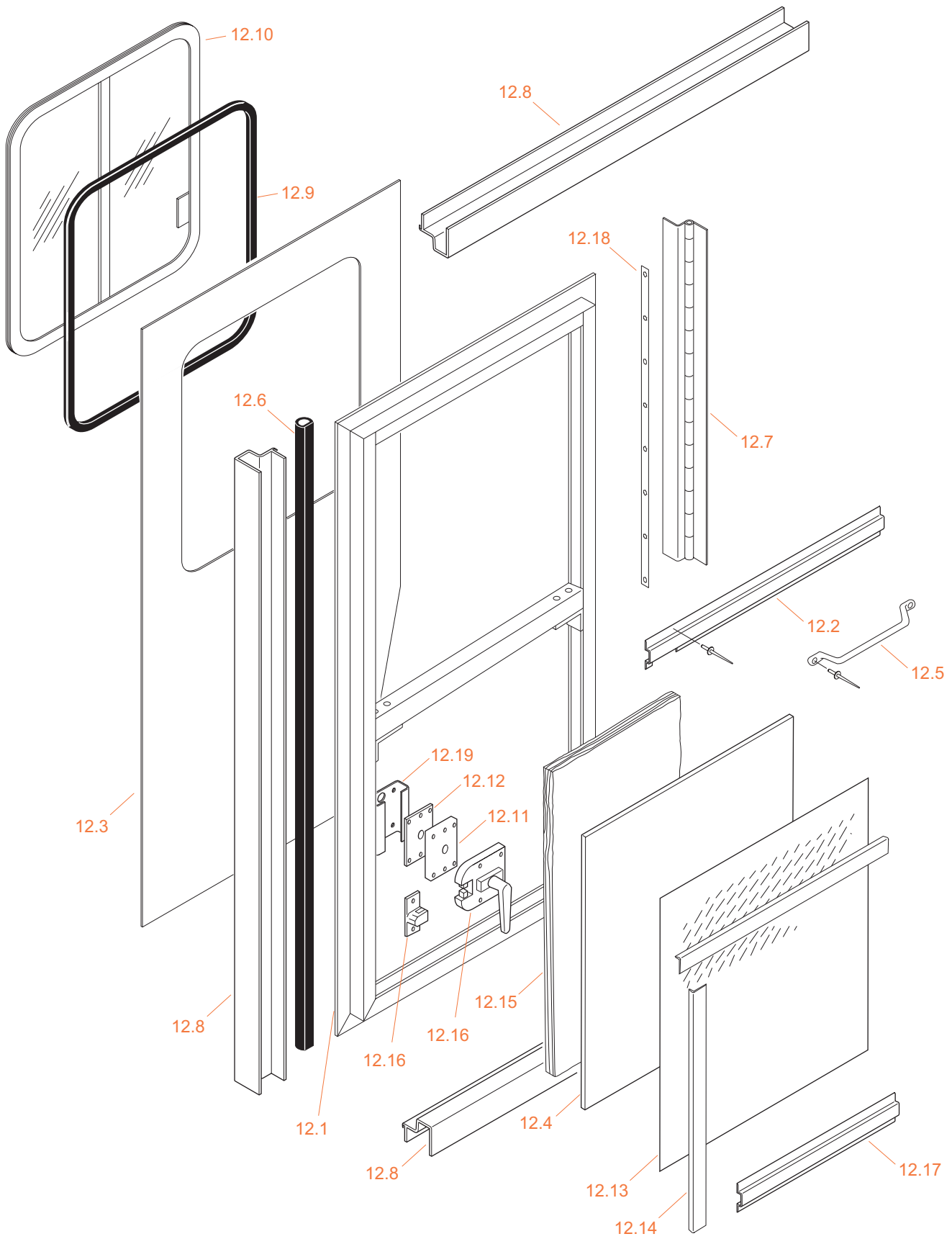
Item	Part Number	Description
12.21-G	09801355	GLASS LWR SIDE DR 30-36
12.21-L1	09801347	LEXAN WDW 21.38 x 25.5
12.21-L2	09801617	LEXAN WDW RH DR LOWER 31.38 x 32.44
12.22	08610831	PLATE ASY NUT STRIKER SPACER INNER
12.23	20510275	INSUL F/GLASS 1" x 21" x 100'3/PLY
12.24.1 RH	06920618	IA8011 EXTEN SLDR 30.69 06003905
12.24.2 LH	06917292	EXTEN SLDR LWR LH 32.0 06003905
12.24.2 RH	06917293	EXTEN SLDR LWR RH 32.0 06003905
12.25	05705672	WIDE WINDOW SEAL
12.26 LH	08610834	LATCH DR LH KYLS ENTRY
12.26 RH	08610835	LATCH DR RH KYLS ENTRY
12.26 M	16512776	MODULE ACCESS CNTRL KYLS (Module Only)
12.27	06919199	PLATE DOOR STRIKER BASE
12.28	16512556	REED SWITCH & MAGNET
12.29	06921297	ANGLE MTG MAGNETIC KYLS ENTRY
12.NS	08610275	BOOT HANDLE
12.NS	12301160	TAPE GASKA GRAY PVC .06 x .75 (150'RL)
12.NS	12605908	TAPE, FOAM GASKA 1/8 X 3/4
12.NS	22001734	SHIM ALIGNMENT 1/8
12.NS	12400129	SEALANT TRIMSHIELD
12.NS	12100624	SEALANT LIQUID RUBBER
12.NS	12300703	TAPE 3/4" DBLE SIDE WINDOW
12.Ref	08610439	HANDLE EXT SHAFT LENGTH CHART
12.Ref	57231752	CATCH INSTAL FRT KASON
12.Ref	57233034	KASON LATCH & CATCH ALIGNMENT
12.Ref	64236922	CATCH ASSY SLIDER LH
12.Ref	64236923	CATCH ASSY SLIDER RH



NOTE: The door frame is built in a fixture. If more than one extrusion is being replaced, it is recommended that you order a complete frame assembly.

12—Side Doors

Sedan



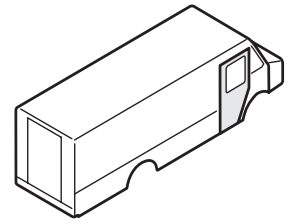
Side Doors, Sedan

Utilimaster, 65528 State Road 19, P.O. Box 585, Wakarusa, IN 46573-0585, U.S.A.

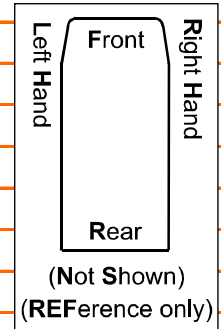
Email CustSvc@Utilimaster.com or Browse the web site www.utilimaster.com.

Call 800-237-7806 (or 574-862-3219) or Fax to 574-862-7637.

(See the Decoding Part Numbers section for Item, Part, and Description codes.)



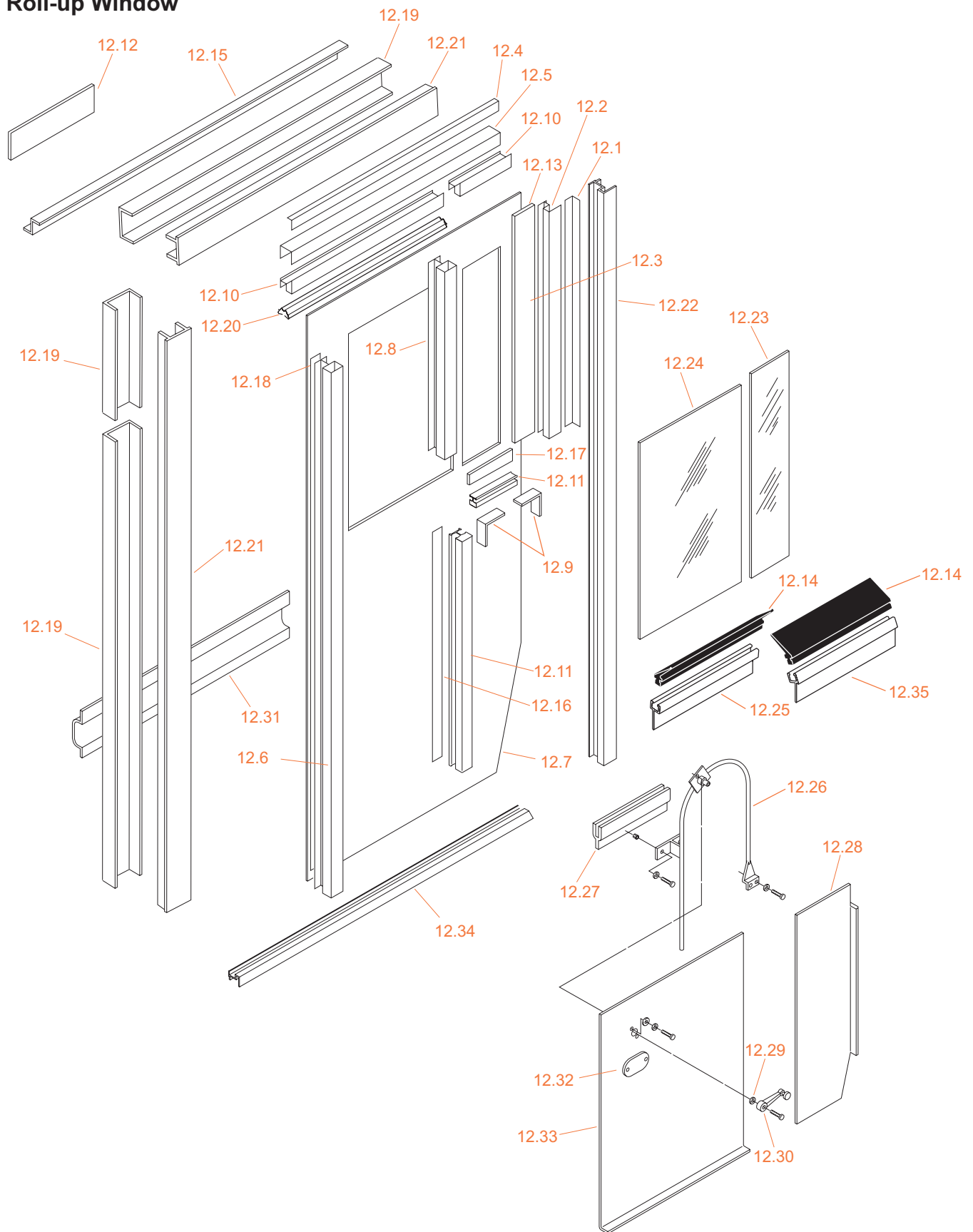
Item	Part Number	Description
12.0		SEDAN DOOR ASSEMBLY
12.1	BSNR	FRAME ASY
12.2 LH	06918061	STIFFNR SDN DR TOP LH
12.2 RH	06918062	STIFFNR SDN DR TOP RH
12.3	BSNR	METAL DOOR EXT SHRT SDN
12.4	BSNR	METAL INT SHT SDN LH SLDR
12.5	08704342	HANDLE GRAB OFFSET
12.6	05402168	SEAL SEDAN DOOR
12.7	08708528	HINGE FRMD 14GA SS x 45" SDN
12.8	06003861-Length	DR SDN EXTR (SPECIFY LENGTH)
12.9	12605908	TAPE FOAM GASKA 1/8 x 3/4
12.10	See Slider Door	WINDOW
12.11	06502626	SPACER LOCK .75 AL x 4.37 x 3.75
12.12	06502627	SPACER LOCK .090 AL x 4.37 x 3.75
12.13	14000625	CARPET GREY
12.14	06002023-Length	TRIM IA727 ANGLE 06002023
12.15	20510275	INSUL F/GLASS 1 x 21 3/PLY
12.16	08704402	LATCH SEDAN DOOR LH
12.17	06918060	STIFFNR SDN DR BTM RH 30,32-35
12.18	22001745	NUT PLATE .75 x 41
12.19	06012339	TUBE LATCH MNT SED DR
12.NS	12300534	TAPE FOAM 1/16 x 3"
12.NS	08700017	CHECK DOOR W/SPRING
12.NS	22818728	ANGLE BRKT SEDAN DOOR CHECK
12.Ref	57233393	INSTL SEDAN DOOR CHECK
12.Ref	57231988	INST SEDAN DR STIFFENER 30-36



NOTE: The door frame is built in a fixture. If more than one extrusion is being replaced, it is recommended that you order a complete frame assembly.

12—Doorless Panel

Roll-up Window



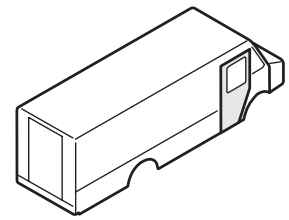
Doorless Panel, Roll-up Window

Utilimaster, 65528 State Road 19, P.O. Box 585, Wakarusa, IN 46573-0585, U.S.A.

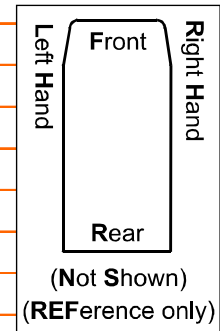
Email CustSvc@Utilimaster.com or Browse the web site www.utilimaster.com.

Call 800-237-7806 (or 574-862-3219) or Fax to 574-862-7637.

(See the Decoding Part Numbers section for Item, Part, and Description codes.)

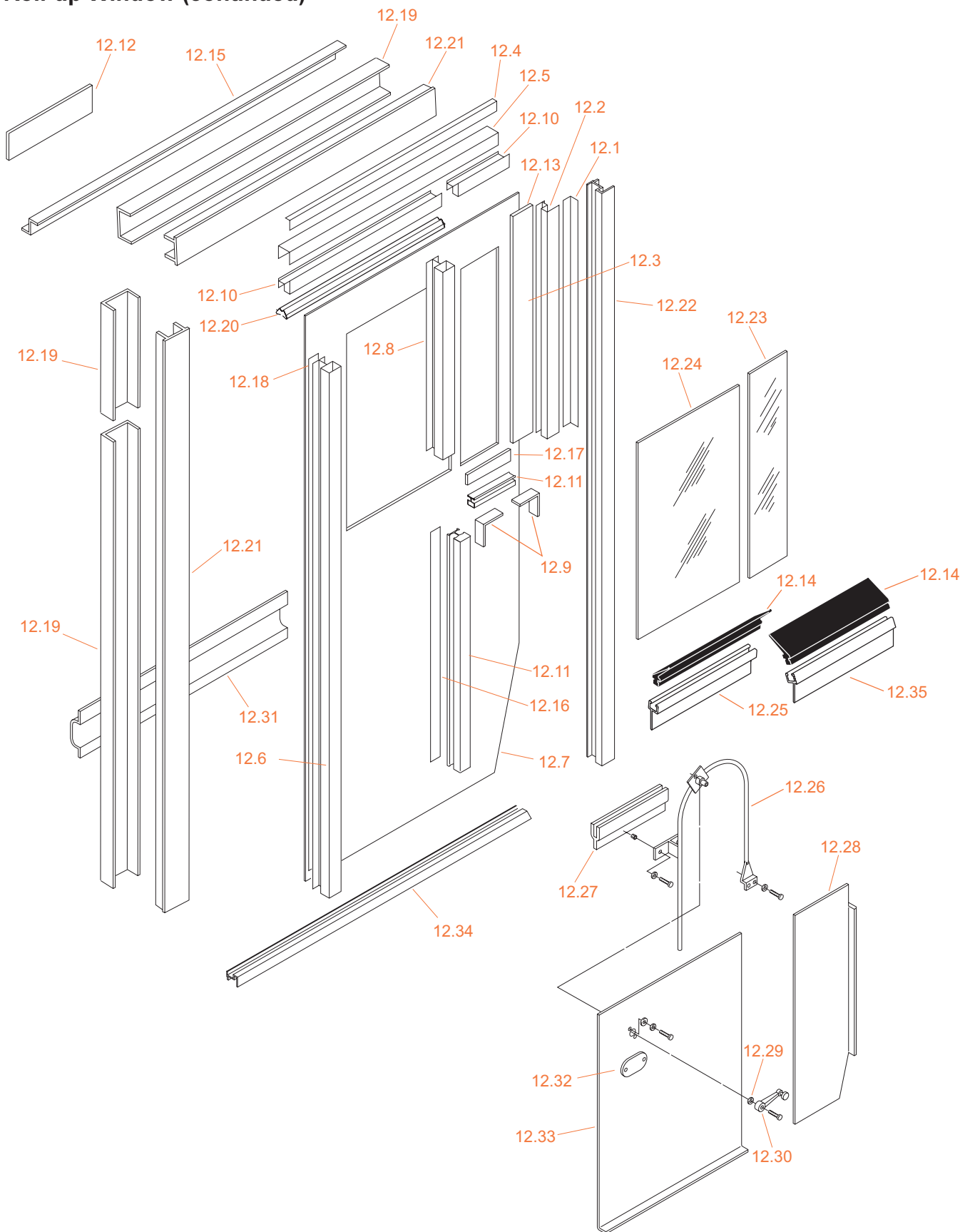


Item	Part Number	Description
12.0		DOORLESS DRIVER PANEL W\ROLL-UP WINDOW
12.1	06001975-03400	AE ANGLE 3/4 x 3/4 (.062) IA 101
12.2	06012383	WDW GUID LH 32.34 06003859
12.3	06503177	ALUM .125 x 1.69 x 35.5
12.4	06013008-03800	IA 4161 ANGLE 38.00 06013008
12.5	06013003-Length	IA 3948 CHNL (SPECIFY LENGTH) 06013003
12.6	06014407	POST REAR DRLS 75.00 06003860
12.7	06502681	PANEL DRLS LH C/UP #32-33
12.8	06014406	POST UPR DRLS 33.75 06003860
12.9	06631354	ANGLE WNDW FRM MNT FRT
12.10	06003859-Length	IA 7299 GUIDE (SPECIFY LENGTH) 06003859
12.11	06003860-Length	IA H1454 WDW POST (SPECIFY LENGTH) 06003860
12.12	06915327	SPACER DD STIFFENER 3 X 9.5"
12.13	BSNR	ALUM .100 x .875 SHIM
12.14	05705497	FLOCKED SEAL
12.15	06014439	DRIPRAIL LH DD 40" 06011300
12.16	06503176	ALUM .100 x .875 x 37.75 SHIM
12.17	06503178	ALUM .100 x .875 x 8.0 SHIM
12.18	06503175	ALUM .100 x .875 x 74
12.19	06013049-Length	ALUM EXT RR DR OPENING IA 4755 (SPECIFY LENGTH)
12.20	12300662	W/STRIP GLASS CHNL 6' 75000486
12.21	06013069-Length	ALUM EXT CAP DR CHNL IA 4868 (SPECIFY LENGTH)
12.22	See Item 5.35	QUARTER POST
12.23.1	09080546	GLASS DD RU STAT .188 x 9 x 31
12.23.2	09080516	GLASS .188x12x30.16 Tmprd TINT
12.24.1	09080524	GLS SD DR C/UP .156 x 23.38 x 33
12.24.2	09081308	GLASS Tmprd .156 x 23.38 x 31.38
12.24.3	09080539	GLASS C/UP SLDR DR #32-36
12.25	06014415	DR SEAL OS LH 22.56 06850143
12.26.1 LH	09301011	REGULATOR WDW SDDR LH
12.26.1 RH	09301012	REGULATOR WDW SDDR RH
12.26.2 LH	09101462	REGULATOR WDW SLDR LH
12.26.2 RH	09101463	REGULATOR WDW SLDR RH
12.27.0	06910453	BRCKT WINDOW REGULATOR 06013103
12.27.1	12300703	TAPE 3/4" DBLE SIDE WINDOW
12.28	BSNR	PNL LWR DRLS C/UP



Continued

12—Doorless Panel Roll-up Window (continued)



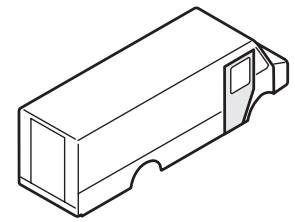
Doorless Panel, Roll-up Window

Utilimaster, 65528 State Road 19, P.O. Box 585, Wakarusa, IN 46573-0585, U.S.A.

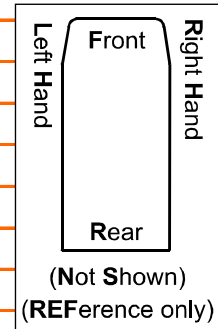
Email CustSvc@Utilimaster.com or Browse the web site www.utilimaster.com.

Call 800-237-7806 (or 574-862-3219) or Fax to 574-862-7637.

(See the Decoding Part Numbers section for Item, Part, and Description codes.)

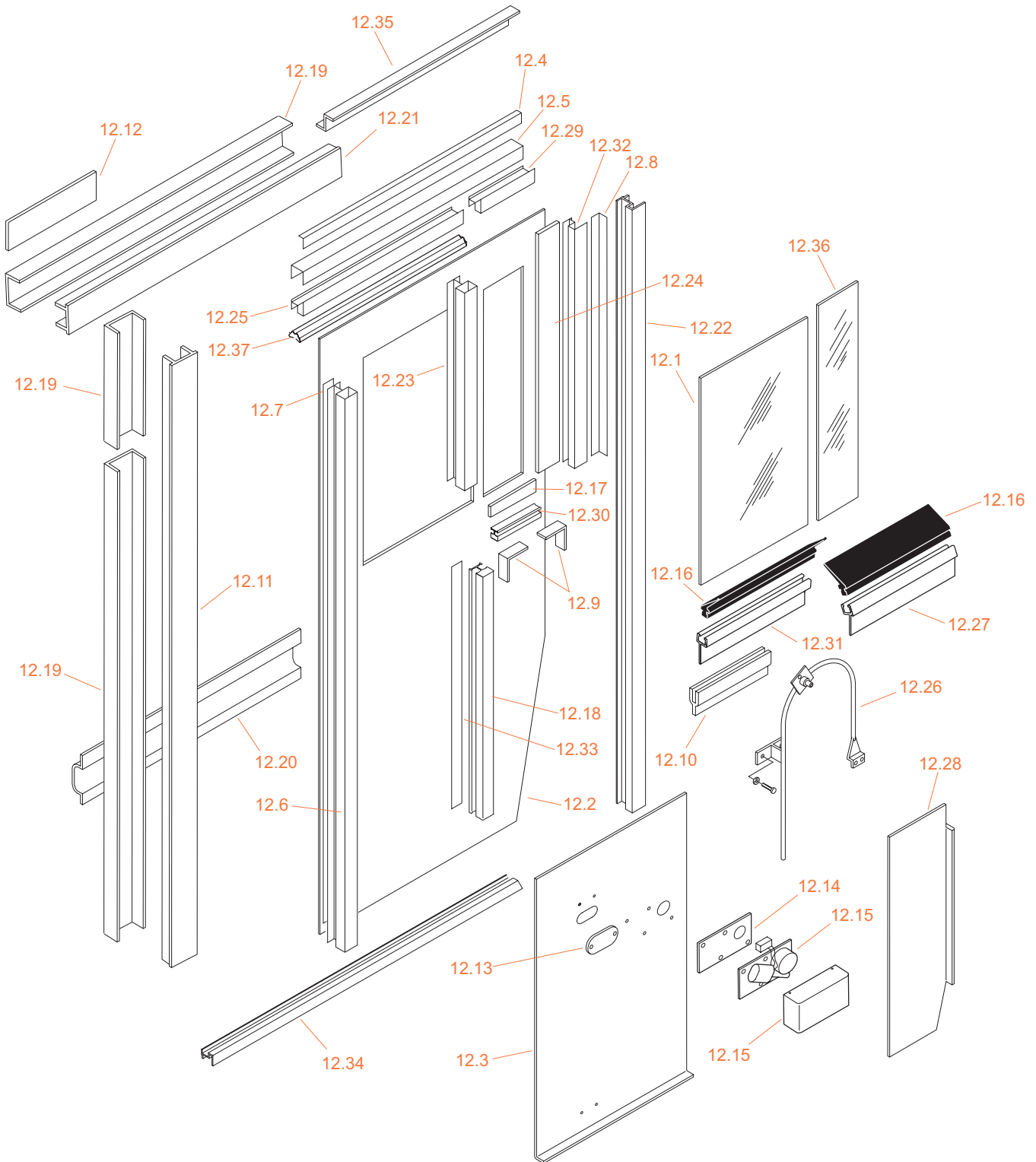


Item	Part Number	Description
12.29.1	08706603	ESCUTCHEON
12.29.2	08706602	SPRING ESCUTCHEON
12.29.3	08706601	SPACER HANDLE
12.30	08706600	HANDLE WINDOW CRANK
12.31	Match sidewall rubrail from Section 15.	
12.32	06502577	PLATE ACCESS WINDOW REG
12.33	BSNR	PLATE WNDW REG DRLS
12.34.1	06917403	THRES LH DD 5'9-7/8 06000260
12.34.2	06917404	THRES RH DD 5'9-7/8 06000260
12.34.3	06014431	THRES DD LH 69.88 06000260
12.35	06850185-Length	IA7137 SEAL 06850185
12.Ref	57231701	PANEL ASY DRLS LH C/UP #32-33
12.Ref	09801379	INSTL, CRANK UP WINDOW RGLTR
12.Ref	57231699	PANEL ASY DRLS LH C/UP



12—Doorless Panel

Electric Window



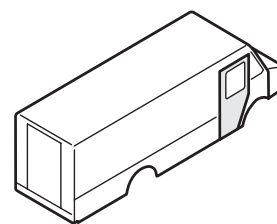
Doorless Panel, Electric Window

Utilimaster, 65528 State Road 19, P.O. Box 585, Wakarusa, IN 46573-0585, U.S.A.

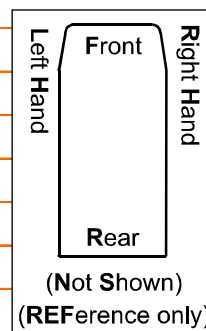
Email CustSvc@Utilimaster.com or Browse the web site www.utilimaster.com.

Call 800-237-7806 (or 574-862-3219) or Fax to 574-862-7637.

(See the Decoding Part Numbers section for Item, Part, and Description codes.)

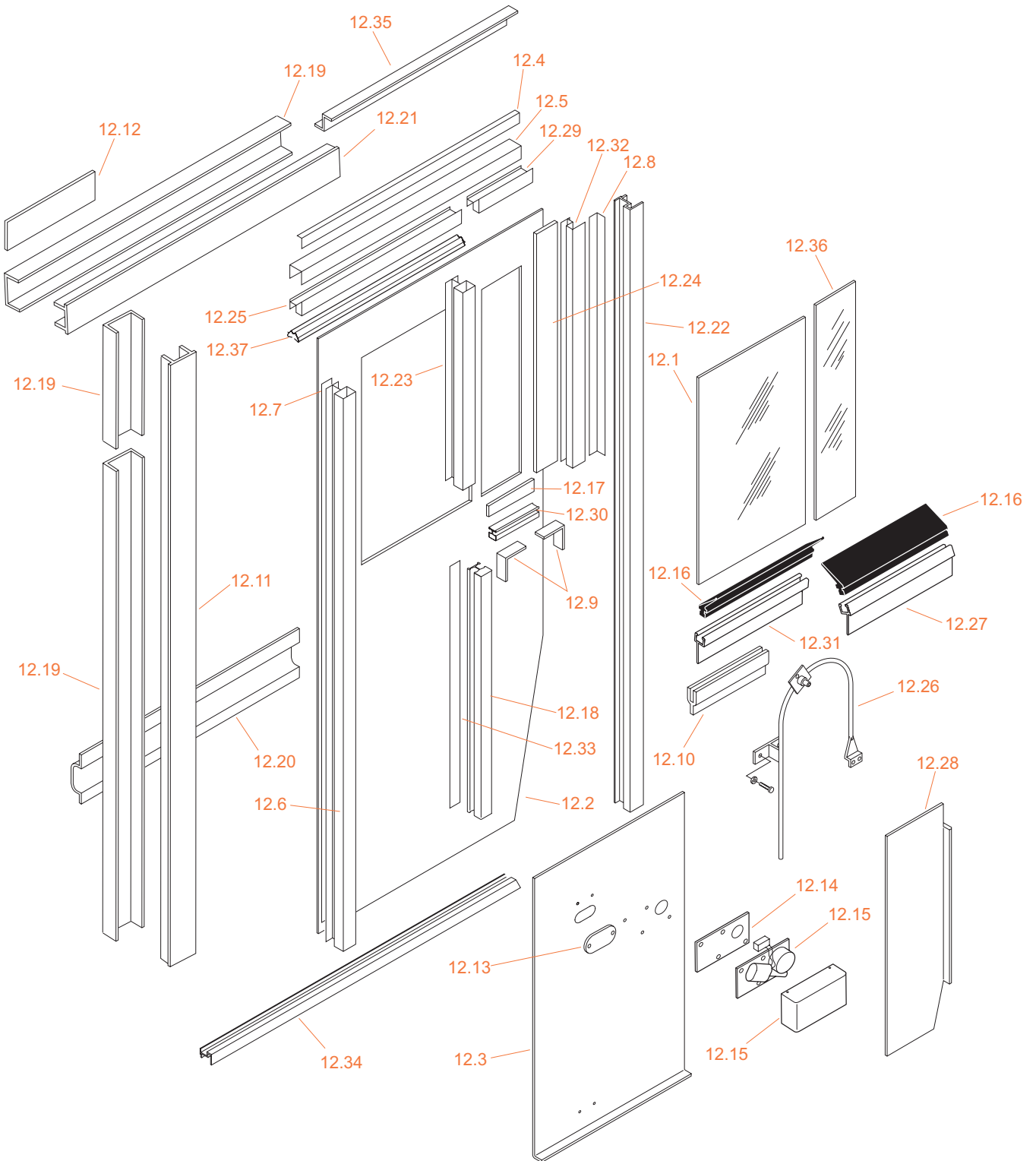


Item	Part Number	Description
12.0		DOORLESS LH W/PWR WDW
12.1	09080524	GLASS SD DR C/UP .156 x 23.38 x 33
12.2	BSNR	PANEL EXT DRLS LH C/UP
12.3	06919638	PLATE WDW REG ELECT DRLS LH #33
12.4	06013008-03462	IA4161 ANGLE
12.5	06013003-03462	ALUM EXT WALL STUD 090 IA 3948
12.6	06014407	POST REAR DRLS 75.00 06003860
12.7	06503175	ALUM .100 x .875 x 74
12.8	06001975-03400	AE ANGLE 3/4 x 3/4 (.062) IA 101
12.9	06631354	ANGLE WNDW FRM MNT FRT
12.10.1	06910453	BRCKT WINDOW REGULATOR 06013103
12.10.2	12300703	TAPE 3/4" DBLE SIDE WINDOW
12.11	06013069-07550	IA4868 CAP 75.50 06013069
12.12	06915327	SPACER DD STIFFENER 3.0 x 9.5
12.13	06502577	PLATE ACCESS WINDOW REG
12.14	09801514	SPACER POWER WINDOW
12.15	09801513	WDW KIT POWER W/COVER
12.16	05705497	FLOCKED SEAL
12.17	06503178	ALUM .100 x .875 x 8.0 SHIM
12.18	06003860-03788	IAH1454 WDW POST 37.88 06003860
12.19	06013049	ALUM EXT RR DR OPENING IA4755 (SPECIFY LENGTH)
12.20	Match sidewall rubrail from Section 15.	
12.21	06013069-05275	IA4868 CAP 52.75 06013069
12.22	BSNR	QTR POST DLH 06000260
12.23	06014406	POST UPR DRLS 33.75 06003860
12.24	06503177	ALUM .125 x 1.69 x 35.5
12.25	06003859-02256	AE WINDOW GUIDE IA 7299
12.26	09301011	REGULATOR WDW SD LH
12.27	06850185-02256	IA 7137 SEAL 22.56 06850185
12.28	BSNR	PNL LWR DRLS C/UP
12.29	06003859-00832	AE WINDOW GUIDE IA 7299
12.30	06003860-00832	IAH1454 WDW POST 8.32 06003860
12.31	06014415	DR SEAL OS LH 22.56 06850143
12.32	06012383	WDW GUID LH 32.34 06003859



Continued

12—Doorless Panel Electric Window (continued)



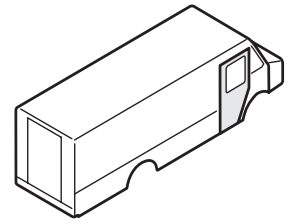
Doorless Panel, Electric Window

Utilimaster, 65528 State Road 19, P.O. Box 585, Wakarusa, IN 46573-0585, U.S.A.

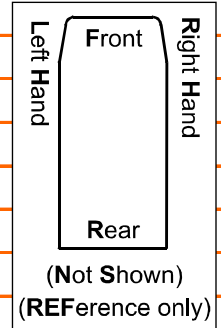
Email CustSvc@Utilimaster.com or Browse the web site www.utilimaster.com.

Call 800-237-7806 (or 574-862-3219) or Fax to 574-862-7637.

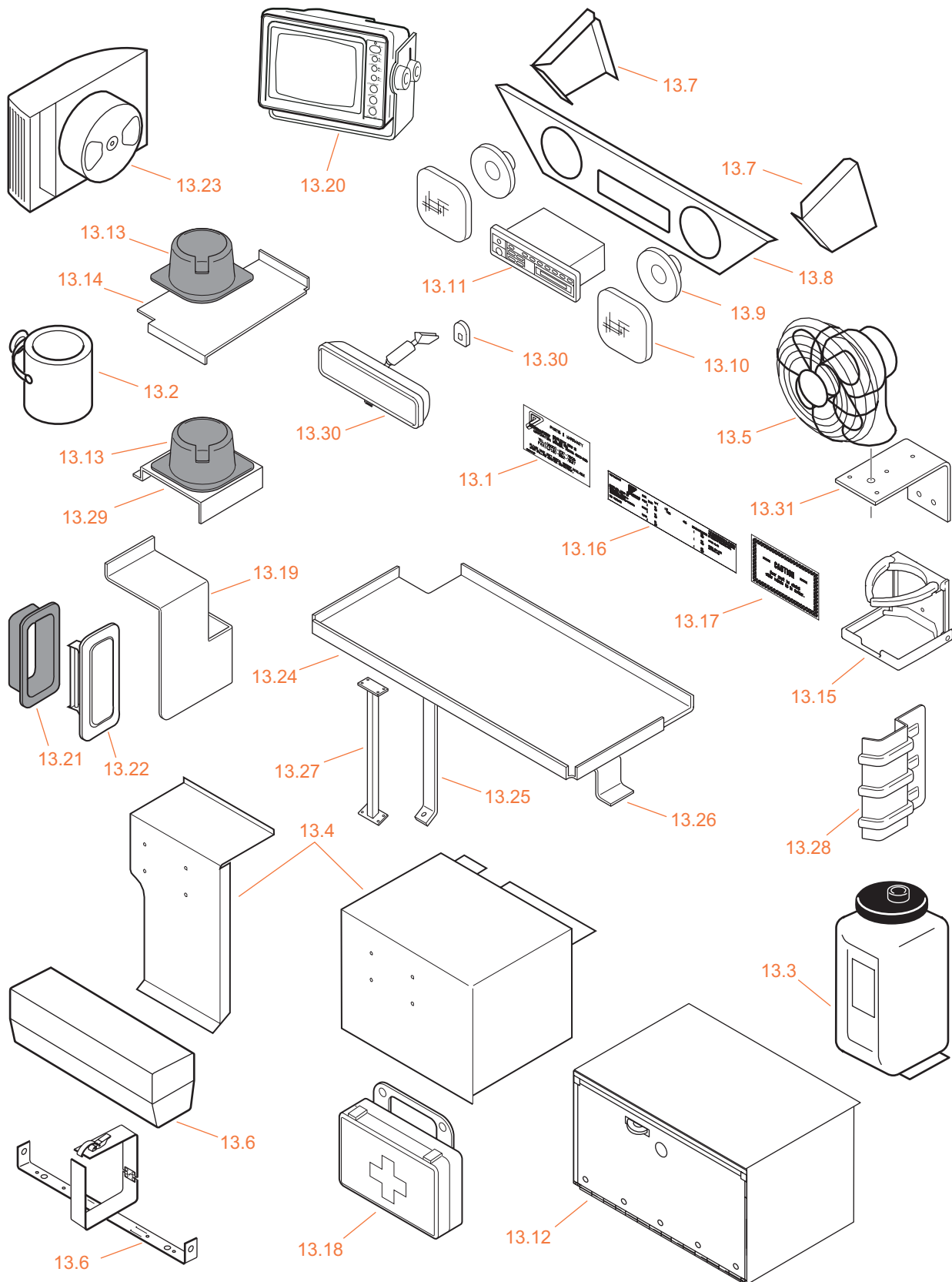
(See the Decoding Part Numbers section for Item, Part, and Description codes.)



Item	Part Number	Description
12.33	06503176	ALUM .100 x .875 x 37.75 SHIM
12.34	06014440	THRES LH DD 06000260
12.35	06014439	DRIPRAIL LH DD 40" 06011300
12.36	09080546	GLASS DD RU STAT .188 x 9 x 31
12.37	12300662	W/STRIP GLASS CHNL 75000486
12.NS	12300703	TAPE 3/4"DBLE SIDE WINDOW
12.NS	16512624	HARNESS POWER WINDOW
12.Ref	58231025	INSTALL POWER WINDOW REGULATOR
See also Utilimaster Quick Reference Parts Guide.		



13—Cab Decals and Options



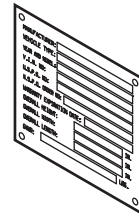
13—Cab Decals and Options

Utilimaster, 65528 State Road 19, P.O. Box 585, Wakarusa, IN 46573-0585, U.S.A.

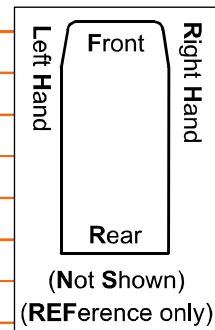
Email CustSvc@Utilimaster.com or Browse the web site www.utilimaster.com.

Call 800-237-7806 (or 574-862-3219) or Fax to 574-862-7637.

(See the Decoding Part Numbers section for Item, Part, and Description codes.)



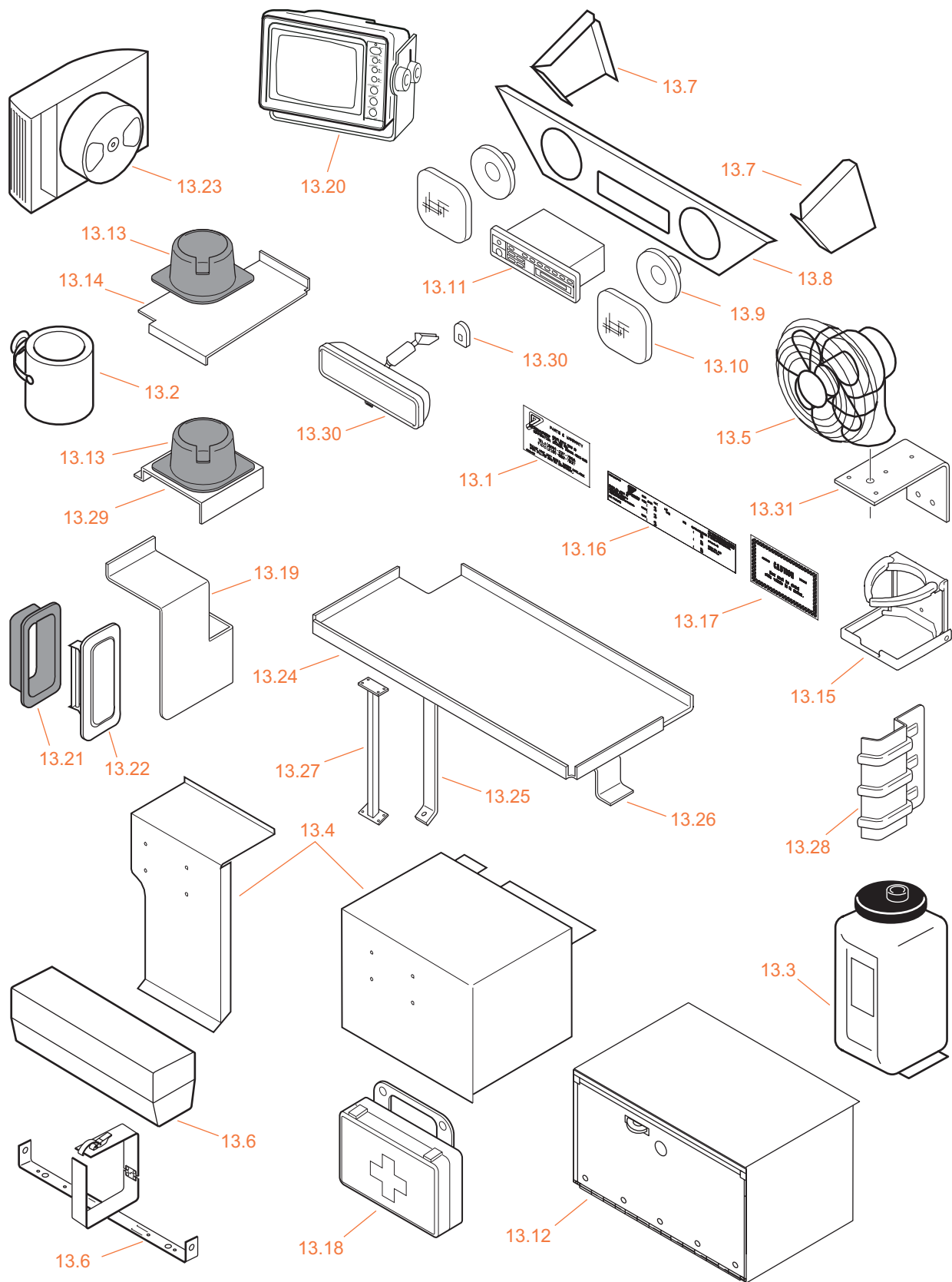
Item	Part Number	Description
13.0		CAB OPTIONS GM/WH #33
13.1	03101462	DECAL PARTS & WARRANTY 2.31 x 4.00
13.2	01800113	HOLDER CUP (PIVOT)
13.3	08610254	BTL WASHER ASY 1GL
13.4.1	06916876	COVER HTR MOTOR
13.4.2	06920231	COVER WLDMT A/C #33
13.4.3	06917210	COVER HEATER MOTOR #32,33,36
13.4.4	11301401	SCREW 8 x 5/8
13.5.1	17013005	FAN W/SHLD FAN-TASTIC
13.5.2	17900815	FAN CHROME 3-WIRE 2-SPEED
13.6.0	15201720	REFLECTOR KIT TRIANGLE
13.6.1	22815691	BRKT TRIANGLE KIT
13.7 LH	06601691	MOUNT RADIO LH SIDE
13.7 RH	06601692	MOUNT RADIO RH SIDE
13.8.1	06919789	MOUNT RADIO
13.8.2	06916615	MOUNT RADIO FRONT DIN
13.9	17407102	SPEAKER 4" SQ AUDIOVEX
13.10	17400002	COV SPEAKER 4" SQ FLAT
13.11	BSNR	RADIO AM/FM
13.12.0	64236161	BOX ASY GLOVE 8.5 x 10 x 15
13.12.1	08706320	CHAIN VINYL COVERED
13.12.2	08704801	LOCK THUMB
13.12.3	22813538	BRACKET PADLOCK 10GA STEEL
13.12.4	06917606	SUPPORT GLOVE BOX WO/AC #32,#33,#36
13.12.5	06917607	SUPPORT GLOVE BOX W/AC #32,33
13.13	20510396	CUPHOLDER ASSEMBLY (STATIONARY)
13.14.1	22815516	SUPPORT DASH CUP AND FAN HOLDER LH
13.14.2	22815883	SUPPORT CUPHOLDER DASH LH
13.15	20510670	CUP HOLDER FOLD DOWN
13.16	BSNR	FEDERAL CERTIFICATION DECAL
13.17	03000823	DECAL CAUTION DOOR MUST BE CLOSED



Continued

13—Cab Decals and Options

(continued)



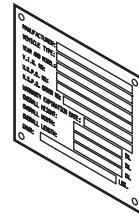
13—Cab Decals and Options

Utilimaster, 65528 State Road 19, P.O. Box 585, Wakarusa, IN 46573-0585, U.S.A.

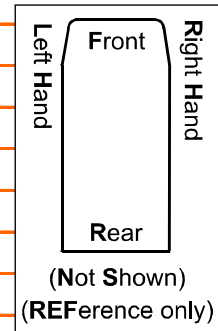
Email CustSvc@Utilimaster.com or Browse the web site www.utilimaster.com.

Call 800-237-7806 (or 574-862-3219) or Fax to 574-862-7637.

(See the Decoding Part Numbers section for Item, Part, and Description codes.)

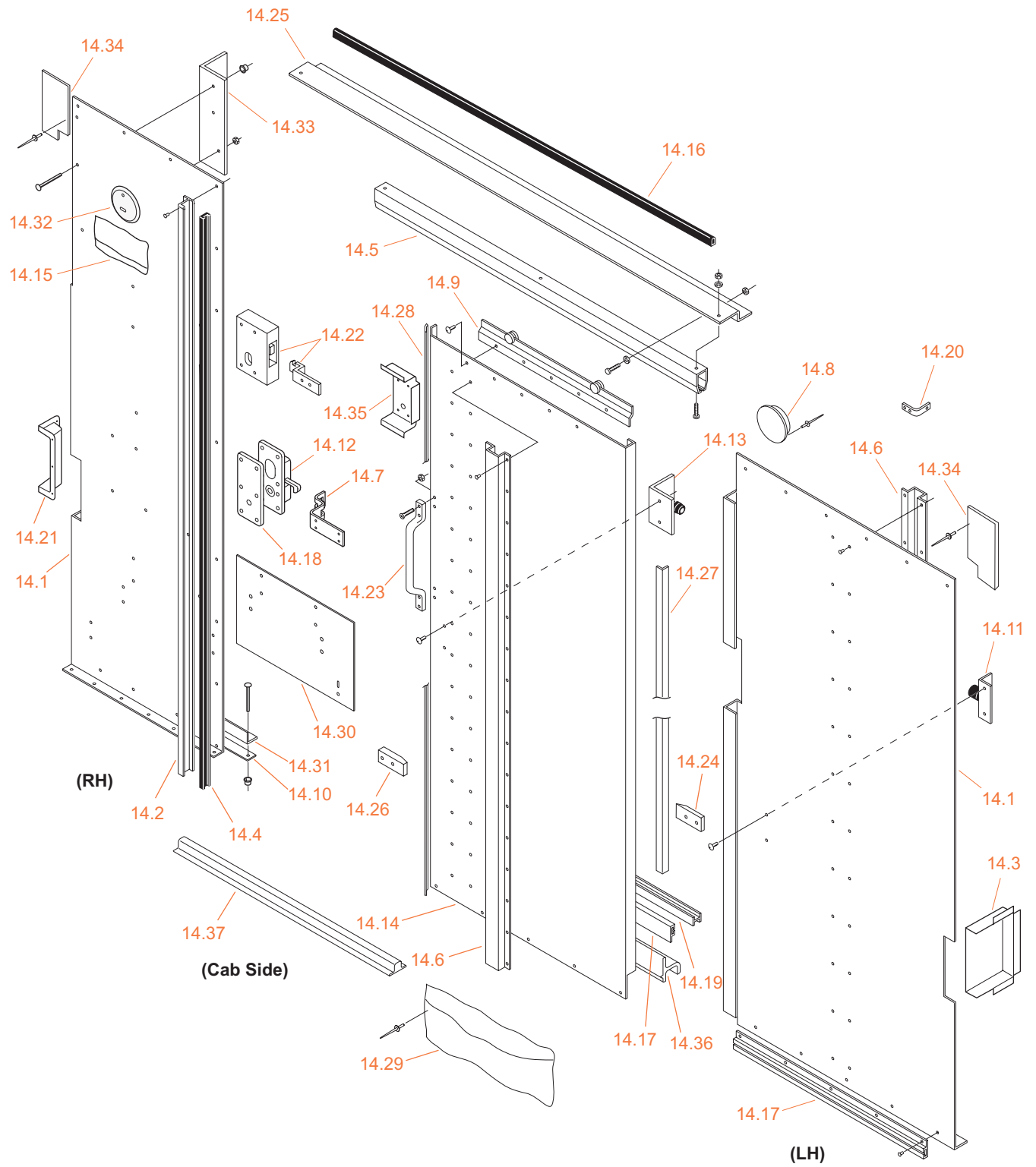


Item	Part Number	Description
13.18.1	21310610	KIT SAFETY
13.18.2	21310611	KIT FIRST AID
13.18.3	21310294	FIRST AID KIT(ENG/FRENCH)
13.19 LH	06919538	GUARD VENT LH HINGELESS
13.19 RH	06919539	GUARD VENT RH HINGELESS
13.20	BSNR	MONITOR BACK-UP SYSTEM
13.21.1	07100184	VENT TRIM RING 2.5"
13.21.2	07206225	VENT TRIM RING .69"
13.22	07100165	VENTILATOR 2-WAY ALUM 4 X 10
13.23	07206234	VENT POWER SCS
13.24.1	06919997-Width	SHELF PLENUM MNT 17 x 36 Ref 64236756
13.24.2	22818650	WELD CAB WORKTABLE STL 12GA x 42.75 Ref 64237276
13.24.3	06916274	TRAY .125 x 9/16H x 18W x 13D (ENG CVR MNTD)
13.25.1	06920426	BRACKET SHELF MOUNTING 1.25 x 21
13.25.2	06920427	BRACKET SHELF MOUNTING #35
13.26.1	06919272	Z FRMD .125 x 1.5 x 2.38 x 3" HLS
13.26.2	22817759	STEEL CAB WORKTABLE Z
13.27	22817758	STEEL CAB WORKTABLE LEG WLDMT
13.28.1	20510296	GUARD DR RR POLYETHYLENE Ref 57233140
13.28.2	20510295	GUARD DR FRT POLYETHYLENE Ref 57233140
13.29	06921819	BRACKET DRINK HOLDER (ON CABLE COVER) 64236933
13.30.0	08770360	KIT MNTG MIRROR
13.30.1	08706397	BRACKET SS MIRROR MOUNT
13.30.2	08713284	MIRROR REAR VIEW 2 x 10 AUTO TYP
13.30.3	06915619	PLATE RR VIEW MIRROR MNT A&B
13.31	06917285	BRKT DEFROST FAN
13.NS	57233140	DOOR GUARD INSTALLATION
13.NS	16512200	HEWITT ENGINE KIT 6.5L #33
13.NS	16512201	HEWITT SHUTDOWN CAB KIT #33
13.Ref	64236795	INSTL MTNG CUPHOLDER & SUPPT
13.Ref	53234206	VENT GUARD INSTALL
13.Ref	64235925	MIRROR INTR RV INSTALL 30-36
13.Ref	64236933	INSTL BRACKET DRINK HOLDER CABLE CVR
See also Sections 8 and 18.		



14—Bulkhead

Aluminum



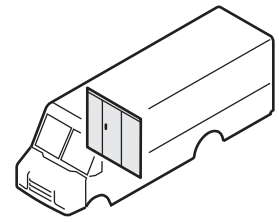
Bulkhead, Aluminum

Utilimaster, 65528 State Road 19, P.O. Box 585, Wakarusa, IN 46573-0585, U.S.A.

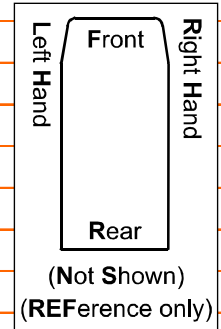
Email CustSvc@Utilimaster.com or Browse the web site www.utilimaster.com.

Call 800-237-7806 (or 574-862-3219) or Fax to 574-862-7637.

(See the Decoding Part Numbers section for Item, Part, and Description codes.)



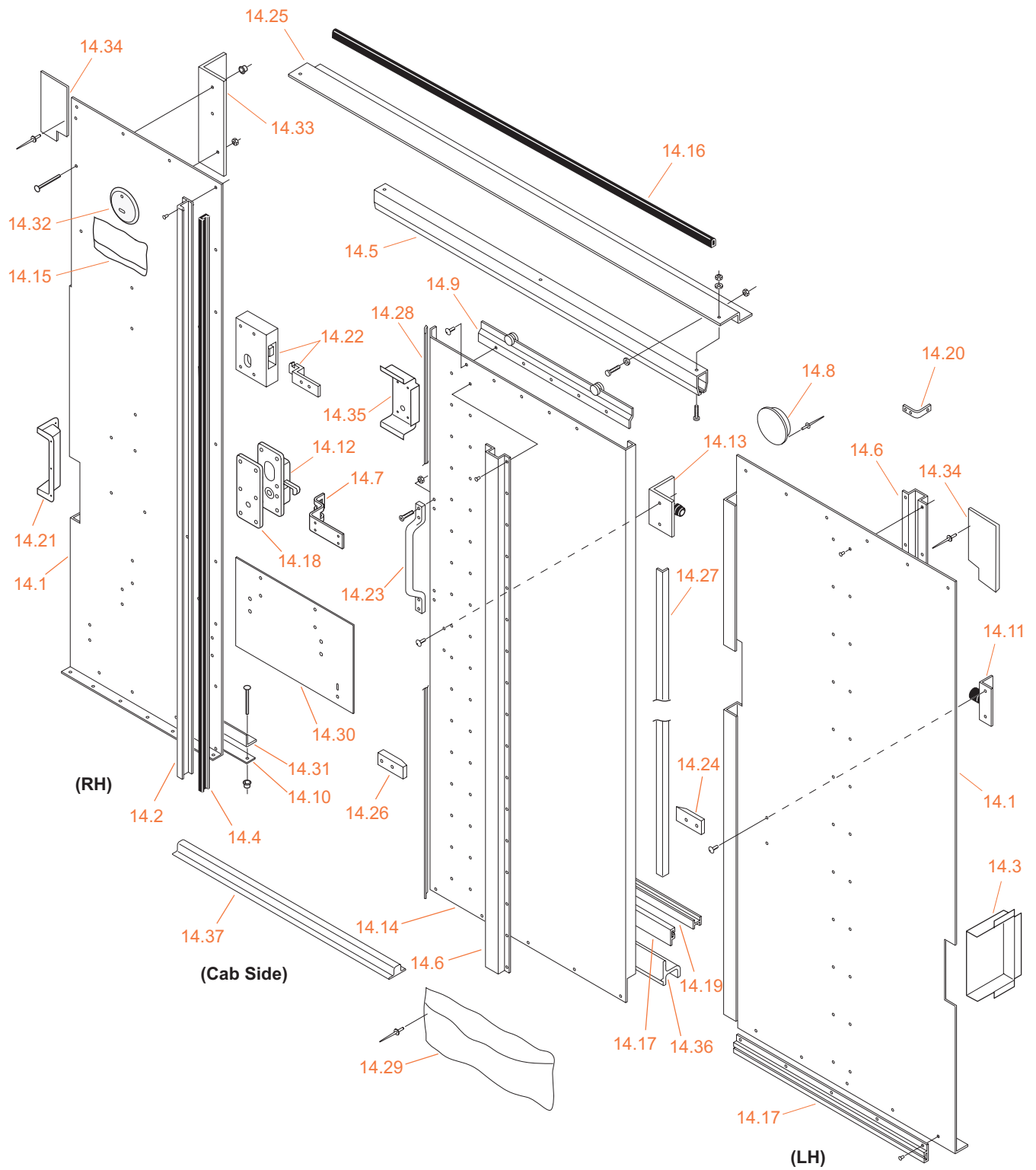
Item	Part Number	Description
14.0		BULKHEAD ASSY, ALUMINUM
14.1	Appendix 06914922	PANEL BULKHEAD
14.2	06013146-Length	W 11123 STOP (SPECIFY LENGTH)
14.3.1	06601644	COV WDW CRANK HANDLE A&B
14.3.2	06601823	COVER KASON LATCH A&B
14.4	05400214	SEAL B/HEAD 1" W (SPECIFY LENGTH)
14.5.1	08220043	TRACK BH DR 16GA x 60"
14.5.2	01712102	STOP B/H DR LATCH ONLY 12GA x 3/4"
14.6	06002055-Length	IA1215 HAT 06002055 (Specify Length)
14.7.1	22810336	BRKT BLKHD DR LATCH
14.7.2	22814084	BRKT BLKHD DR LATCH 7GA
14.8	15202126	LIGHT KD 12V CARGO
14.9.1	08610489	ROLLER ASY BLKHD DR 21"
14.9.2	08610491	ROLLER ASY BLKHD DR
14.9.3	08610907	ROLLER ASY BULKHEAD DOOR 25.38"
14.10	06500964	ALUM .125 x 1.5 x 20
14.11	08610356	STOP ASY BH DR RECEP (FEMALE ASSY)
14.12	08700278	LATCH DOOR LH EBERHARD
14.13.1	08610354	STOP ASY BH DR PLUNGER (SINGLE MALE ASSY)
14.13.2	08610355	STOP ASY BH DR PLUNGER (DOUBLE MALE ASSY)
14.14.1	06918167-Height	PNL BHD DR ENF II 28.38W xH
14.14.2	06921164-Height	DOOR AL BHD KEYS ENT H
14.14.3	06918168-Height	PNL BHD DR ENF II 31.88W x H
14.15	01800010	POUCH OBM DOCUMENT HOLDER
14.16.1	05705499	BULB SEAL 1-5/8 x 1 W/ADHSV
14.16.2	05705661-W	SEAL BULKHEAD W/ADHESIVE 80.00
14.17.1	06013189-03188	IA5635 LWRBH 31.88 06013189
14.17.2	06921726	TRACK DOOR BOTTOM
14.18	06511269	SPACER LATCH 1/4" EBERHARD
14.19-22	08222000	GUIDE B/HD DR UHMW 'H' NTC 22"
14.19-30	20510113	GUIDE B/HD DR UHMW 'H' NTC 30"
14.20	06918209	BRACE, UPPER BLKHD SUPPORT
14.21	20510538	COV SIDE DR LATCH BKHD POS PRS
14.22	08610352	LOCK BHD (ENFRCR) ABLOY
14.23	08704347	HANDLE ALUM GRAB
14.24	20510411	SHIM B/H NYLON SPACER-NOISE



Continued

14—Bulkhead

Aluminum (continued)



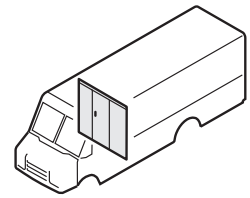
Bulkhead, Aluminum

Utilimaster, 65528 State Road 19, P.O. Box 585, Wakarusa, IN 46573-0585, U.S.A.

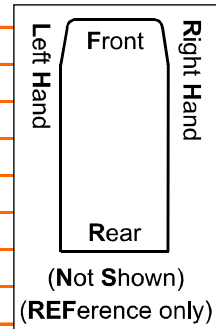
Email CustSvc@Utilimaster.com or Browse the web site www.utilimaster.com.

Call 800-237-7806 (or 574-862-3219) or Fax to 574-862-7637.

(See the Decoding Part Numbers section for Item, Part, and Description codes.)

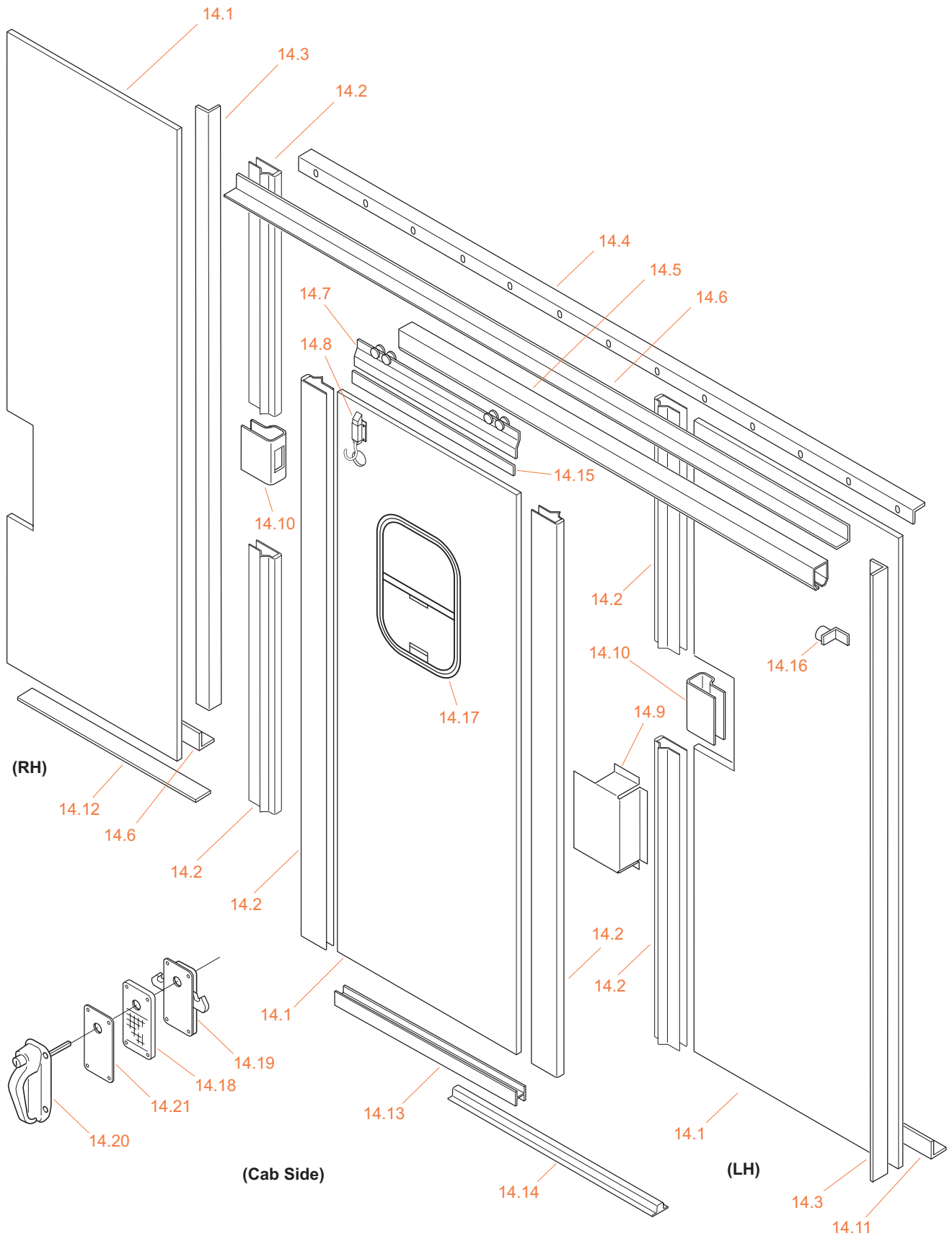


Item	Part Number	Description
14.25	06000727-Length	IA8597 BH BRACE (SPECIFY LENGTH)
14.26	20510403	PAD NYLON B/HEAD SHIM
14.27	06002048	IA3299 ANGLE (SPECIFY LENGTH)
14.28	06013008-Length	IA4161 ANGLE (SPECIFY LENGTH)
14.29.1	13672408	POUCH VIR
14.29.2	01902068	POUCH DOCUMENT
14.29.3	11401222	RIVET POP BLACK
14.30	06918099	REINFORCEMENT JSEAT BH/MNT
14.31	06002050-Length	AE ANGLE .125 x 1.5 x 1.5 IA637
14.32.1	16512777	READER ACCESS KYLS ENTRY
14.32.2	16512776	MODULE ACCESS CNTRL KYLS (Module Only)
14.33	06014417	ANGLE W/4 HOLES B/H 12.00 06002037
14.34.1	06916225-H	SEAL BHD SLDR DR NTC
14.34 LH	22814651-Height	FILLER BHD SIDE SLIDE LH (SPECIFY UNIT HEIGHT)
14.34 RH	22814650-Height	FILLER BHD SIDE SLIDE RH (SPECIFY UNIT HEIGHT)
14.35	06919180	BRACKET BLKHD DOOR LATCH (KYLS)
14.36	06000732-02600	IA8817 LWR BLKHD DR GUIDE 26.00
14.37	06000270-Length	IA7467 GUIDE 48.00 06000270
14.38	08610834	LATCH DR LH KYLS ENTRY
14.NS	14000625	CARPET, 1 SQ YRD
14.Ref	54232251	SEAL B/HD II KIT SL/SL
14.Ref	57231989	DOOR ASY ALUM BHD II
14.Ref	57231719	DOOR ALUM BHD STD OPENING CHART
14.Ref	54231887	DETAIL, R-38 HRDWR
14.Ref	54232235	DETAIL-BHD TRACK ALUM
14.Ref	54232241	ALUM BHD II W/JS SL/SL
14.Ref	54231896	BH 78.5 x 73 30" AL SL/SL KSN
14.Ref	54231897	BH 78.5 x 73 AL 50/50 SL/SL KSN
14.Ref	54231898	BH 78.5 x 73 STD SL/SL KSN W/JS
14.Ref	54231899	BH 78.5 x 73 AL 1/2 LH SIDE SL
14.Ref	54231900	BH 78.5 x 73 AL RH SIDE SL WO/JS
14.Ref	54231902	DETAIL-FINGER PULL INSTL
14.Ref	54231965	BH 78.5 x 73 STD SL/SL KSN WO/JS
14.Ref	54232007	BH 78.5 x 73 AL LH SIDE SL SMALL
14.Ref	54232820	ASSY ALUMINUM BULKHEAD
14.Ref	54231886	DETAIL LOWER BLKHD DR ALUM A&B
14.Ref	54231875	DETAIL, BULKHEAD TRACK PROFILE
14.Ref	54231888	DETAIL-KASON HDW INSTL 30-36
14.Ref	54231889	DETAIL-EBERHARDT HDW 30-36
See also Section 11 for bulkhead mounted jump seat.		



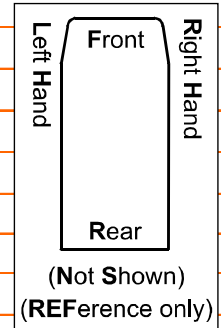
14—Bulkhead

Aluminum Clad Plywood (Blandex)



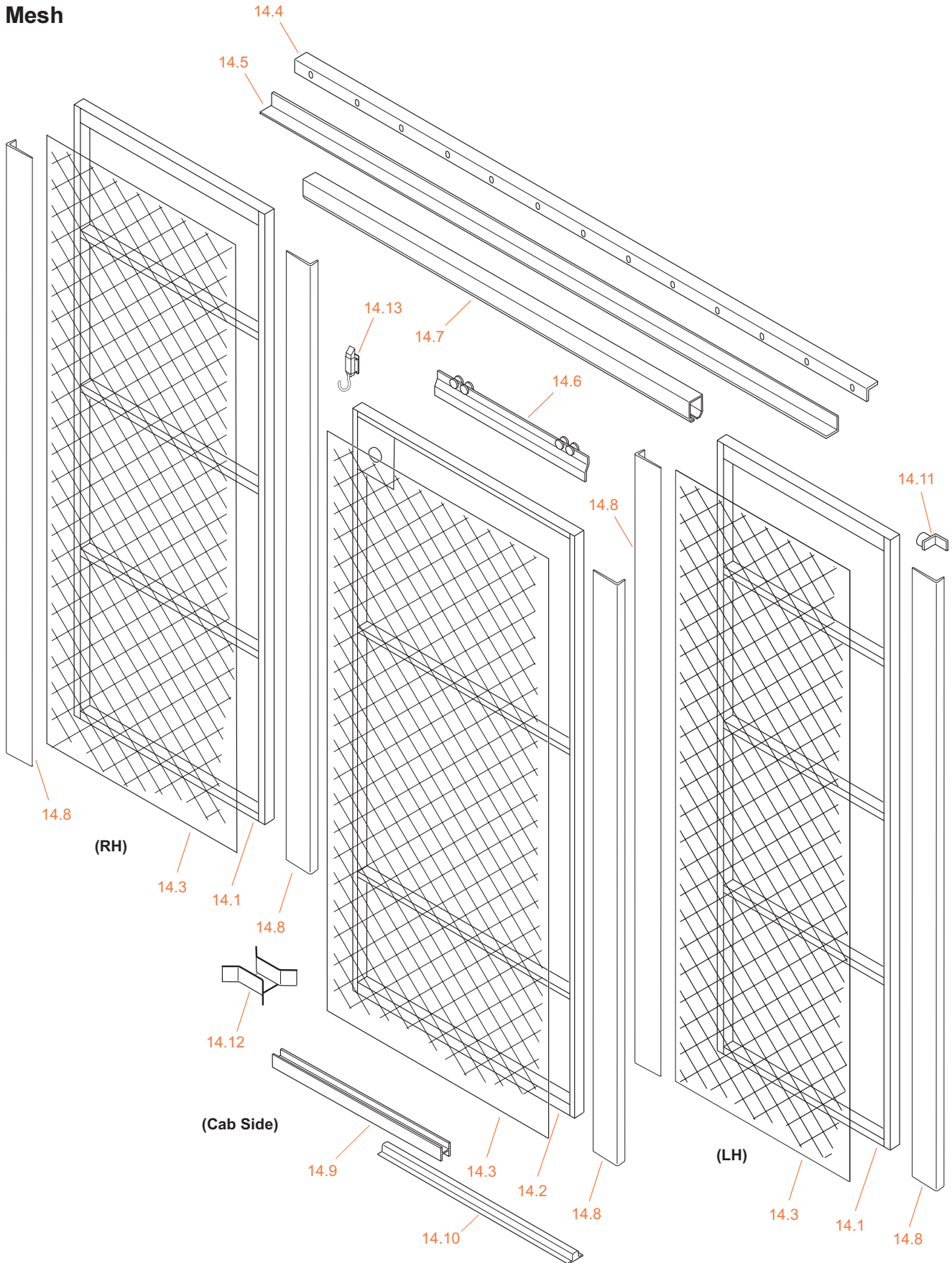
Bulkhead, Aluminum Clad Plywood (Blandex)

Item	Part Number	Description
14.0		Aluminum Clad Plywood (Blandex) Bulkhead
14.1	02101208	BLANDEX .44 x 48 x 96 (BLANK)
14.2	06013164-Length	ALUM EXT B/H DR SEAL IA 5349 (SPECIFY LENGTH)
14.3	06002049-Length	AE ANGLE 1.5 x .188 IA 2072 (SPECIFY LENGTH)
14.4.1	06915617-Length	BRACE BHD TOP RR W \SEALED (SPECIFY LENGTH)
14.4.2	06601808-Length	BRACE BHD TOP RR (SPECIFY LENGTH)
14.5.1	08220155	TRACK BHEAD DR 16GA x 48" 78.5W
14.5.2	08220043	TRACK BH DR 16GA x 60" 86.5W & 93.5W
14.5.3	01712102	STOP B/H DR LATCH ONLY 12GA x 3/4"
14.6	06002050-Length	AE ANGLE .125 x 1.5 x 1.5 IA 637 (SPECIFY LENGTH)
14.7.1	08610489	ROLLER ASY BLKHD DR 21"
14.7.2	08610491	ROLLER ASY BLKHD DR 25.38"
14.8.1	08700317	BOLT OFFSET FLUSH
14.8.2	08700318	HOOK 4"
14.9	06601644	COV WDW CRANK HANDLE
14.10	08401240	CATCH B/H LOCK 1"W
14.11	06002050-Length	AE ANGLE .125 x 1.5 x 1.5 IA 637 (SPECIFY LENGTH)
14.12	06500964	ALUM .125 x 1.5 x 20
14.13	06013110-Length	ALUM EXT BTM B/H DR IA 5129 (SPECIFY LENGTH)
14.14	06000270-Length	AE GUIDE RAIL SOLID IA 7467 (SPECIFY LENGTH)
14.15	06918053	SHIM AL BHD .125 x 1.5 x 2.12 W/HLS
14.16.0	54231986	STOP ASY BHD DOOR
14.16.1	08210016	STOP RUBBER FOR SLIDING DOORS
14.17.1	09801612	WDO 18 x 12 VERT SLDR W/SCRN
14.17.2	09801316	WDO 12 x 18 CLR LXN
14.17.3	09801381	TRIM RING
14.17.4	09081613	TRIM RING
14.18	08610374	SHIM DR .544 x 5.5 x 2.5
14.19	BSNR	INTERIOR HANDLE
14.20	BSNR	EXTERIOR HANDLE
14.21	01700696	SHIM DOOR .25 x 5.50 x 2.5
14.NS	11001401	SCREW 1/4-20 x 11/16 PAN TORX
14.NS	11007502	T-NUT 1/4-20 x 7/16
14.NS	05402091	SEAL DOOR
14.Ref	57231893	DETAIL BH DOOR WDO 12x18 BLNDX
14.Ref	57233116	INSTALL BHD DR MESH WDO COVER
14.Ref	57233158	INSTL BLANDEX BH DR WDO 18H x 12



14—Bulkhead Mesh

Mesh



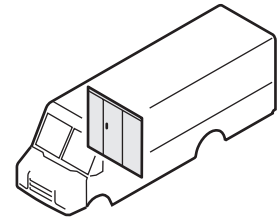
Bulkhead, Mesh

Utilimaster, 65528 State Road 19, P.O. Box 585, Wakarusa, IN 46573-0585, U.S.A.

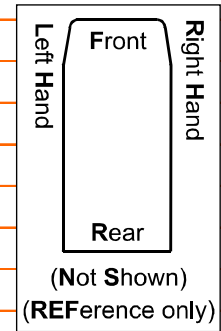
Email CustSvc@Utilimaster.com or Browse the web site www.utilimaster.com.

Call 800-237-7806 (or 574-862-3219) or Fax to 574-862-7637.

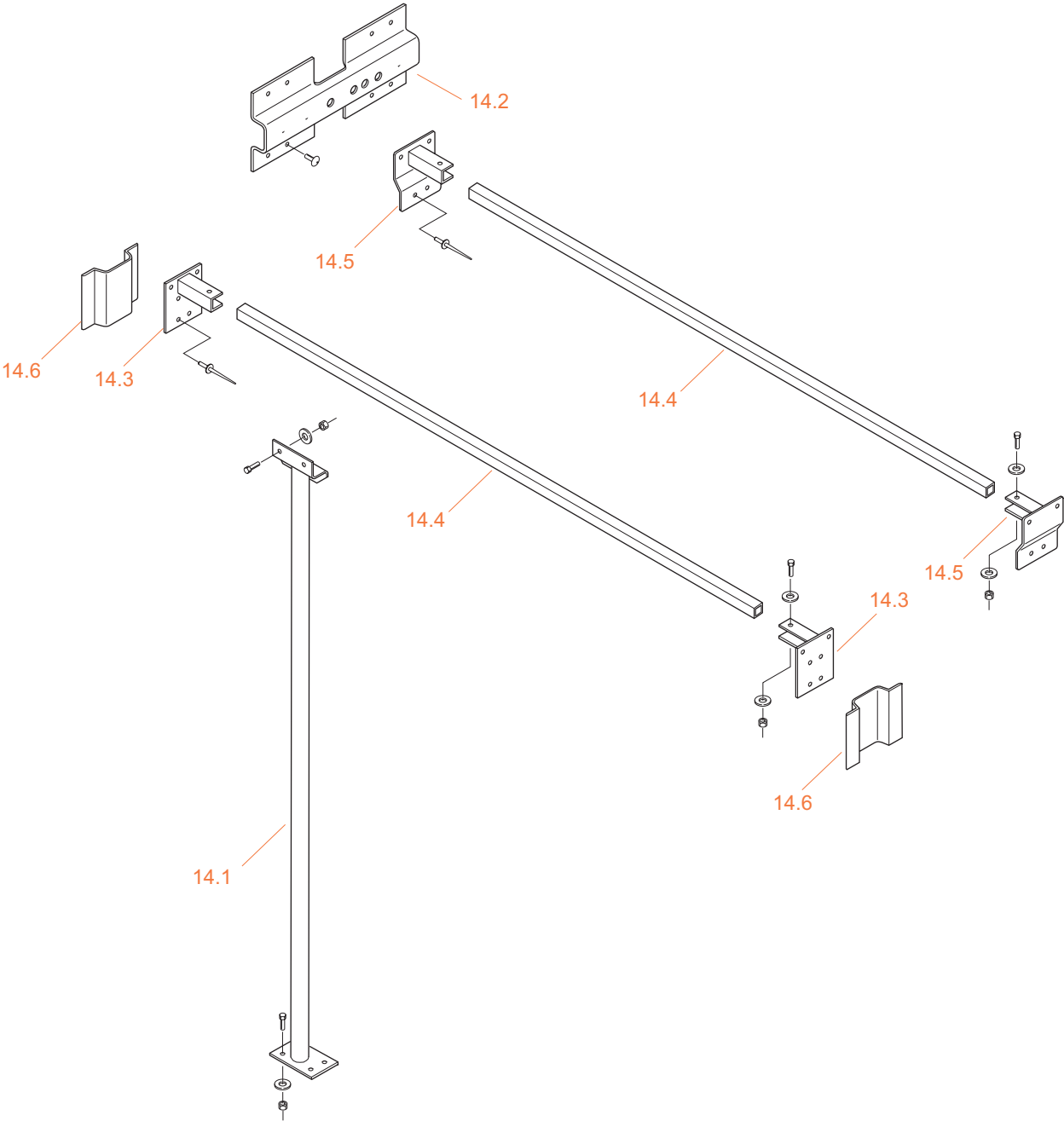
(See the Decoding Part Numbers section for Item, Part, and Description codes.)



Item	Part Number	Description
14.0		Mesh Bulkhead
14.1	BSNR	FRAME WELDMENT
14.2	BSNR	DOOR WELDMENT
14.3-A	06333095	MESH ALUM 1/2-.081 x 48 x 96
14.3-S	01700203	MESH GLVNZD 1/2" 13GA FLT x 48 x 96
14.4	06601808-Length	BRACE BHD TOP RR
14.5	06002050-Length	AE ANGLE .125 x 1.5 x 1.5 IA 637
14.6.1	08610491	ROLLER ASY BLKHD DR
14.6.2	08610489	ROLLER ASY BLKHD DR 21"
14.7	08220043	TRACK BH DR 16GA x 60"
14.8	06002023-Length	TRIM ANGLE IA 727
14.9	06013110-Length	IA 5129 "I" GUIDE EXTR
14.10	06000270-06000	IA 7467 BLKHD GUIDE 60.00
14.11.1	54231986	STOP ASY BHD DOOR
14.11.2	08210016	STOP RUBBER FOR SLIDING DOORS
14.12	06630390	GUIDE DOOR B/HEAD WIRE MESH
14.13.1	08700318	HOOK 4"
14.13.2	08700317	BOLT OFFSET FLUSH
14.NS	11305082	SCREW 1/4-20 x 1 TORX F PNHD
14.NS	11401216	RIVET 3/16 x 1/4-1/2
14.NS	12301160	TAPE GASKA GRAY PVC.06 x .75 150' ROLL
14.Ref	54232136	W ALL BHD ASY MESH SFB CHART



14—Bulkhead Surge Bars



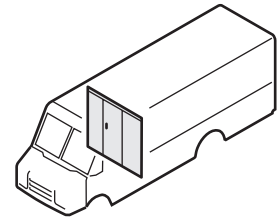
Bulkhead, Surge Bars

Utilimaster, 65528 State Road 19, P.O. Box 585, Wakarusa, IN 46573-0585, U.S.A.

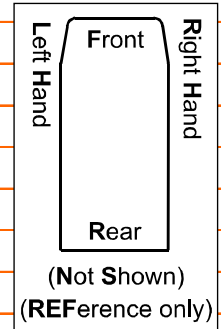
Email CustSvc@Utilimaster.com or Browse the web site www.utilimaster.com.

Call 800-237-7806 (or 574-862-3219) or Fax to 574-862-7637.

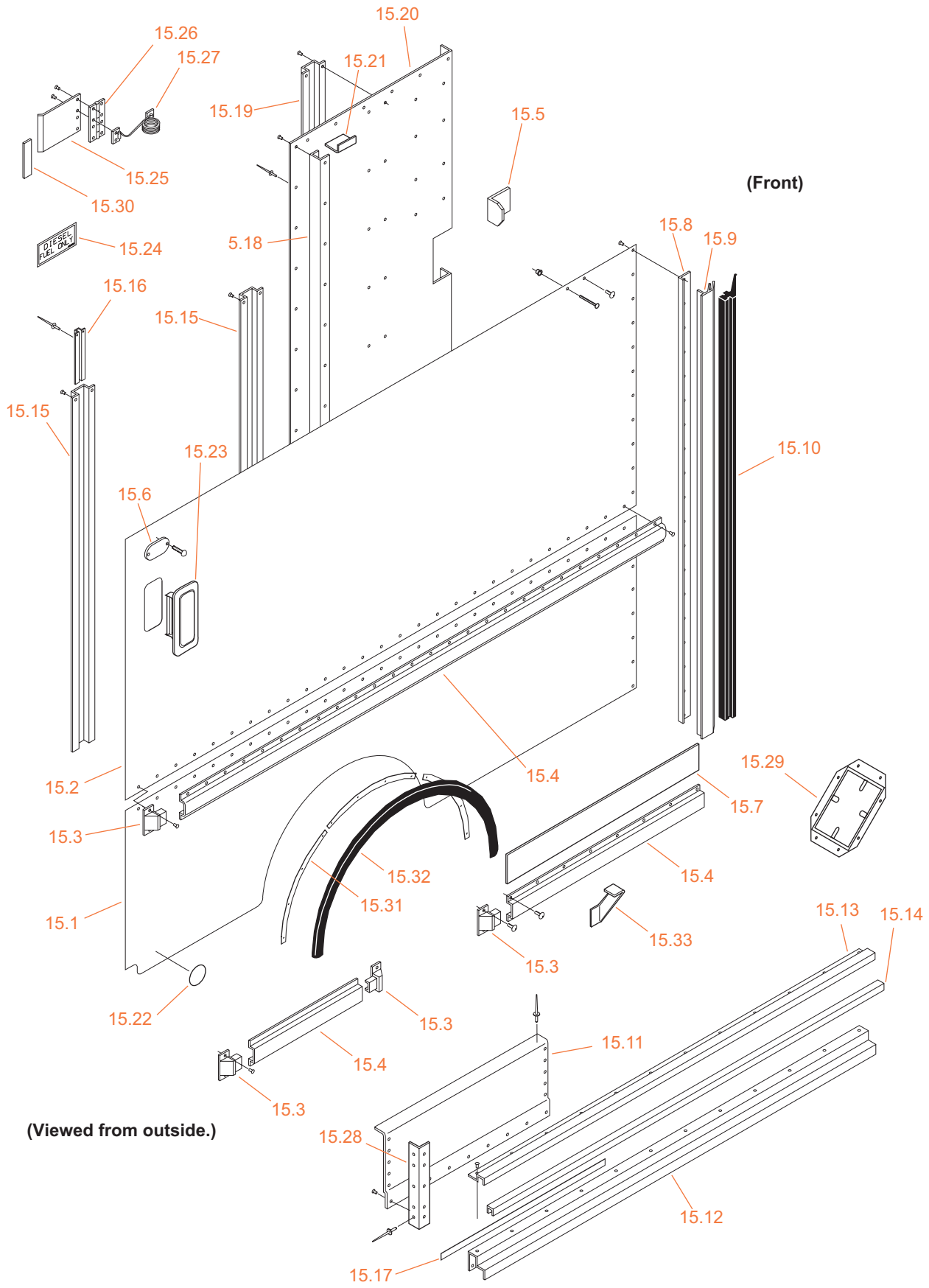
(See the Decoding Part Numbers section for Item, Part, and Description codes.)



Item	Part Number	Description
14.0		Surge Bars
14.1.1	22813632-Height	WELDMENT,SURGE PIPE 1" (SPECIFY UNIT HIEGHT)
14.1.2	22816060	PIPE WLDMT SURGE 1" ID W/FLR OVERLAY 85" H
14.2	06920547	SPACER SURGE BAR
14.3 LH	22816062	BACKET WLDMT SURGE BAR LH
14.3 RH	22813638	BACKET WLDMT SURGE BAR STD
14.4	22200639-Length	TUBE 11GA x 1.5 x 1.5 PAINTED (SPECIFY LENGTH)
14.5	22816036	BACKET WELDMENT SURGE BAR H/DUTY
14.6	06000142-Length	AE RUBRL IA 6964 W 14875 STD (SPECIFY LENGTH)
14.Ref	54232292	SURGE BAR ASSY



15—Sidewalls



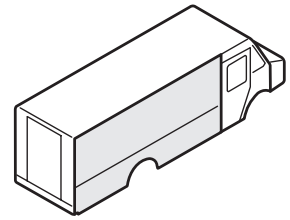
Sidewalls

Utilimaster, 65528 State Road 19, P.O. Box 585, Wakarusa, IN 46573-0585, U.S.A.

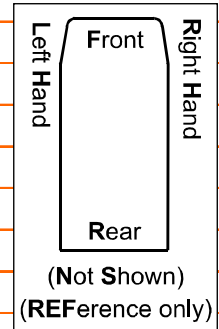
Email CustSvc@Utilimaster.com or Browse the web site www.utilimaster.com.

Call 800-237-7806 (or 574-862-3219) or Fax to 574-862-7637.

(See the Decoding Part Numbers section for Item, Part, and Description codes.)

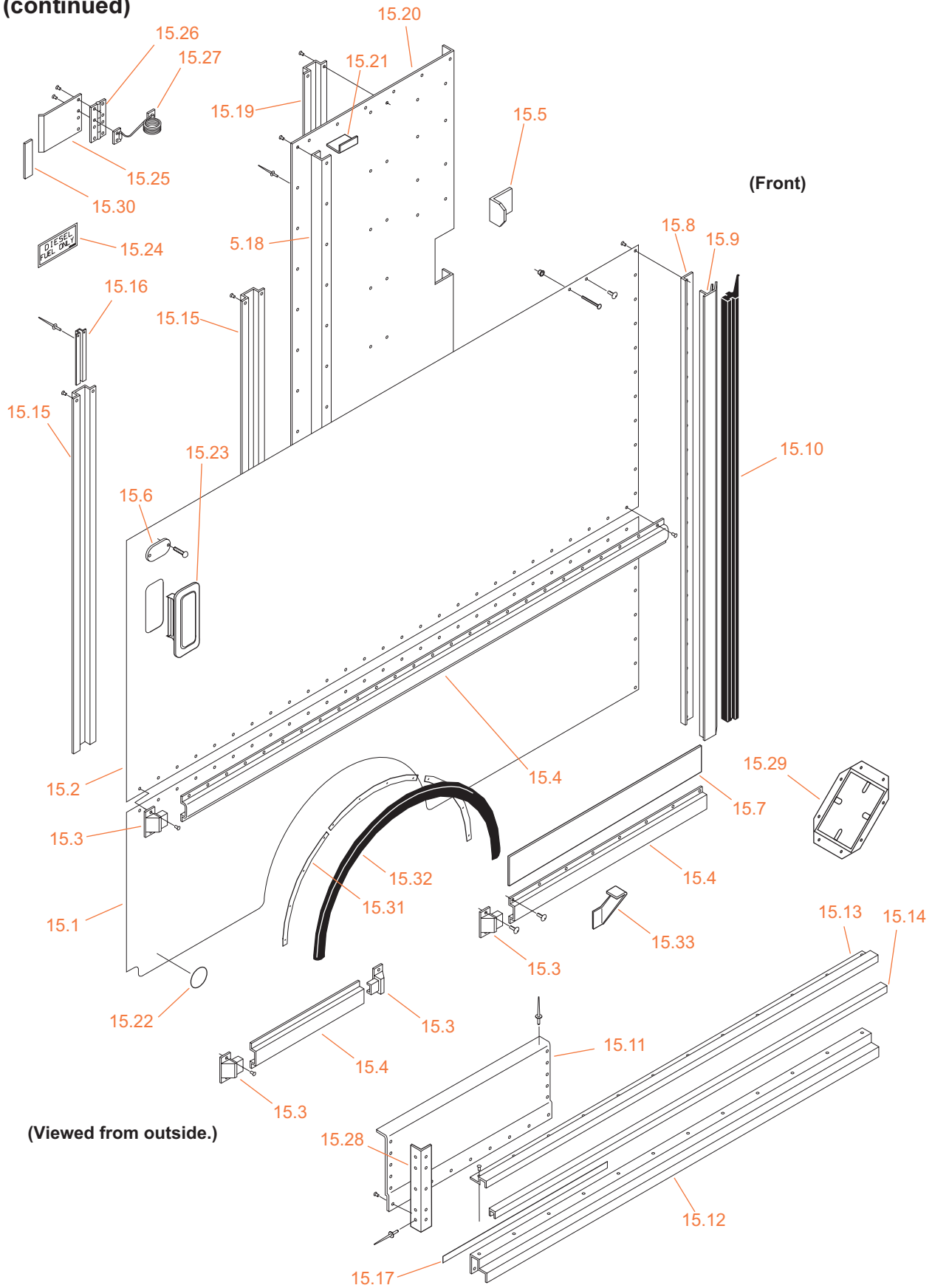


Item	Part Number	Description
15.0		SIDEWALL ASSY
15.1	BSNR	METAL, LOWER SIDEW ALL
15.2	BSNR	METAL, UPPER SIDEW ALL
15.3.1	06909455	CASTING, RUBRAIL END W/RADIUS (Not Painted)
15.3.2	23002137	KIT WITH PAINTED END CAP
15.4-H	06000142-Length	RUBRAIL IA 6964 RAIL 06000142 (SPECIFY LENGTH)
15.4-R	06000807-Length	RUBRAIL IA 9209 RDIS 06000807 (SPECIFY LENGTH)
15.4-M	06003912-Length	IA 8392 RUBRAIL 06003912 (SPECIFY LENGTH)
15.5	06850357	FILLER RAD RUBRAIL
15.6	Parts Guide	LIGHT CLRNC RED LED
15.7	BSNR	ALUM .100 SHEET
15.8	06001991-Length	IA 6001 ANGLE 06001991 (SPECIFY LENGTH)
15.9	06000847-Length	IA 9342 CAP 06000847
15.10	05705497	SEAL SIDE DOOR "FLOCKED"
15.11.1	06601725	DR POCKET LOWER #32, 33, 36
15.11.2	06601725	DR POCKET LOWER #32,33,36
15.11.	06601763	DR POCKET LWR 4"LWR #32-36
15.12	06003908-Length	IA 8055 DOORWAY (SPECIFY LENGTH)
15.13	06000789-06000	IA 9219 LWR GUIDE HLDR 60.00 06000789
15.14	08610737-06000	GUIDE SLIDING DOOR LOWER 60"
15.15.1	06000142-Length	STUD STANDARD (SPECIFY LENGTH)
15.15.2	06013065-Length	STUD HEAVY DUTY (SPECIFY LENGTH)
15.16.1	06000763-01200	IA 9100 GUS RR STUD TO RF 12.00
15.16.2	06000768-01200	IA 9140 GUS RR STUD HD 12.00 06000768
15.17-29	06913452	ALUM .125 x .88 x 29.5
15.17-38	06919885	ALUM .125 x .88 x 38.00
15.18	06000645-Length	IA 7918 TRK (SPECIFY LENGTH)
15.19	06002055-Length	IA 1215 HAT 66.50 06002055 (SPECIFY LENGTH)
15.20	BSNR	DOOR POCKET
15.21	06601720	FILLER DP STUD UPPER
15.22	16200034	REFLECTOR RED TAPE ROUND
15.23	07100165	VENTILATOR 2-WAY ALUM
15.24-G	03000607	DECAL UNLEADED FUEL ONLY
15.24-D	03000824	DECAL-DIESEL FUEL ONLY
15.25	06918538	DOOR FUEL FILL W/45 MITRE



Continued

15—Sidewalls (continued)



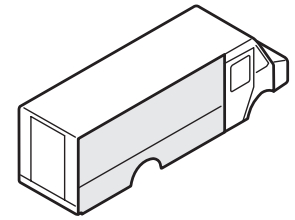
Sidewalls

Utilimaster, 65528 State Road 19, P.O. Box 585, Wakarusa, IN 46573-0585, U.S.A.

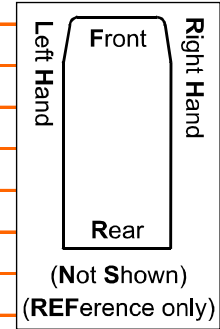
Email CustSvc@Utilimaster.com or Browse the web site www.utilimaster.com.

Call 800-237-7806 (or 574-862-3219) or Fax to 574-862-7637.

(See the Decoding Part Numbers section for Item, Part, and Description codes.)

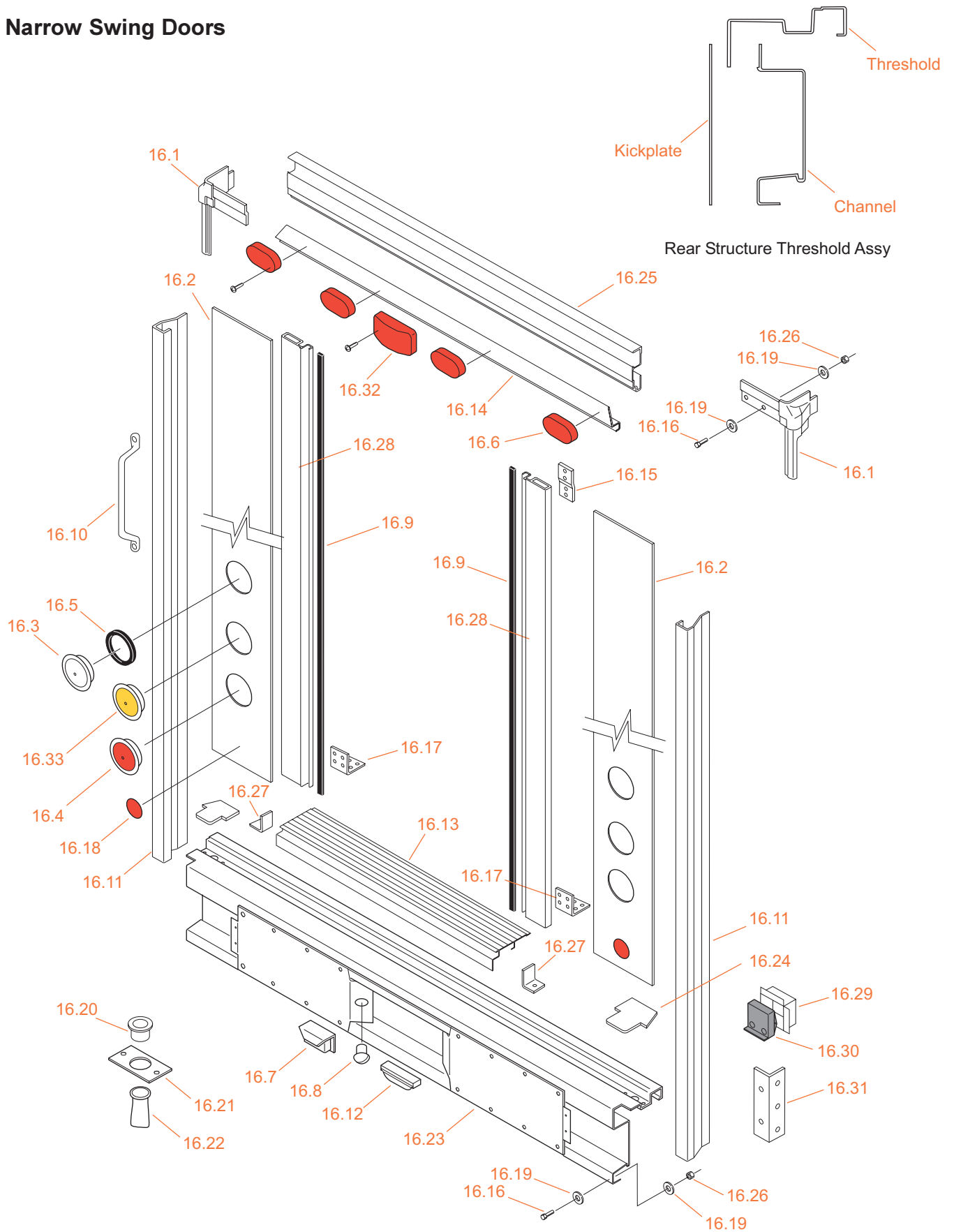


Item	Part Number	Description
15.26-4	08610671	HINGE AL .063 x 1 x 1 x 4.63
15.26-6	08705184	HINGE 063AL 1 x 1 x 6-1/4
15.26-7	08705196	HINGE 063AL 1 X 1 X 7.75
15.27	08610524	CLOSER DOOR FUEL
15.28	06002050-Length	IA637 ANGLE 06002050 (SPECIFY LENGTH)
15.29.1	03101839	PLACARD HAZMAT SOLID
15.29.2	03101863	PLACARD HAZMAT SOLID
15.29.3	03101390	PLACARD FRM HAZMAT STD KT BASE
15.29.4	03101872	PLACARD HAZMAT SOLID
15.29.5	11401221	RIVET POP FW
15.30.0	06919710	STOP GAS FILL DOOR
15.30.1	12300537	TAPE BLK 1/16 x 1" x 54'
15.31	06916847	TRIM W/W .125x20 #32, 33, 35, 36
15.32	01303591	FENDERSKIRT RUBBER
15.33	06631049	GUSSET LWR S/WALL FORMED 12" Ref 53233471
15.Ref	53233471	INST S/WALL LWR SKIRT GUSSETS
15.Ref	53234475	INSTAL FENDER FLARE
15.Ref	57233022	INSTALLATION DOOR POCKET
15.Ref	57231720	DOOR ASY GAS FILL
15.Ref	53234211	ASSY INST SIDEWALL TO ROOF RAIL
15.Ref	53234176	D-SWALL, VENT RH UPR RR W/STOP
15.Ref	53233019	FUEL FILL CUT-OUT LOCATION
15.Ref	53234260	INSTL, REAR STUD/ROOF GUSSET
15.Ref	53233073	WHEELWELL CUTOUT LAYOUTS
15.Ref	53232374	D-SWALL, LOWER SH REAR NOTCH



16—Rear Structure

Narrow Swing Doors



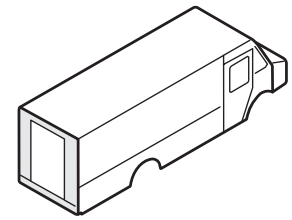
Rear Structure, Narrow Swing Doors

Utilimaster, 65528 State Road 19, P.O. Box 585, Wakarusa, IN 46573-0585, U.S.A.

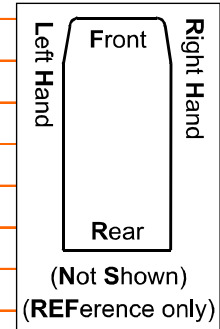
Email CustSvc@Utilimaster.com or Browse the web site www.utilimaster.com.

Call 800-237-7806 (or 574-862-3219) or Fax to 574-862-7637.

(See the Decoding Part Numbers section for Item, Part, and Description codes.)



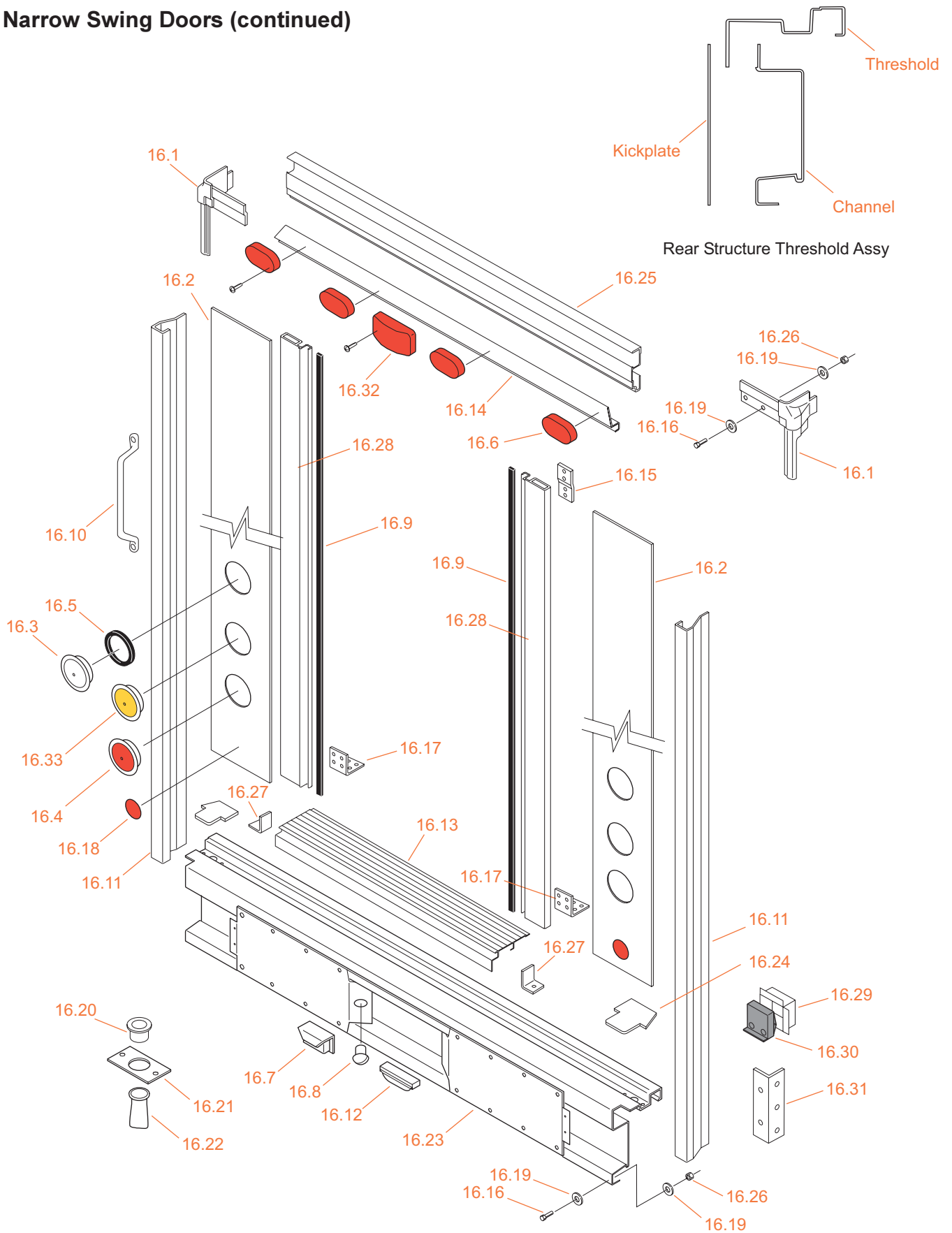
Item	Part Number	Description
16.NrSw	55230967	RR STR ASY NARROW SWING DOORS
16.1 LH	06800094	CASTING RR ROOF LH
16.1 RH	06800095	CASTING RR ROOF RH
16.2.1	Appendix 55230967	**REAR METAL
16.2.2	Appendix 55231329	REAR METAL
16.3.1	16100071	LIGHT BACK UP
16.3.2	15202203	LIGHT BACK-UP KIT
16.3.3	16500088	LAMP BACK UP
16.3.4	16511496	TAILLIGHT BU
16.4.01	16512725	LIGHT RED LED 4" STT W/FLG
16.4.02	16512989	LIGHT LED STT W/FLANGE
16.4.03	12605901	GASKET FLANGED 4.5"
16.4.04	15200314	LIGHT TURN/STOP/TAIL
16.4.05	16100070	LIGHT STOP/TURN/TAIL
16.4.06	16512782	LT STOP/TURN/TAIL LED
16.4.07	15202202	LIGHT RED KIT
16.4.08	16511495	TAILLIGHT S/T/T
16.4.09	15202120	LIGHT TAIL TORSMNT RED
16.5.1	16100072	GROMMET RND LAMP 4"
16.5.2	16512234	GROMMET RND LAMP 4"
16.6.01	16500239	LIGHT CLRNC RED LED
16.6.02	16512042	LIGHT CLRANCE 2-1/2 RED
16.6.03	16512293	CLEARANCE LIGHT RED
16.6.04	16512529	LIGHT CLEARANCE RED
16.6.05	15200409	LIGHT CLEARANCE RED
16.6.06	16512991	LIGHT LED CLEARANCE RED
16.6.07	15200547	LIGHT CLEARANCE RED
16.6.08	15200560	LIGHT CLEARANCE RED
16.6.09	16100075	CLEARANCE LIGHT RED
16.6.10	12605903	GASKET LED LIGHT
16.6.11	16512290	PLUG LED
16.6.12	16511891	BUSHING CLEARANCE LGHT
16.7.1	15200308	LIGHT LIC PLATE
16.7.2	16512785	LIGHT LICENSE PLATE
16.8	16513695	LIGHT LICENSE PLATE (Replaces 16100077)
16.9	05402183	SEAL "D" .375 x .625



Continued

16—Rear Structure

Narrow Swing Doors (continued)



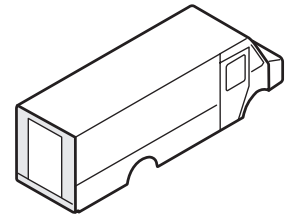
Rear Structure, Narrow Swing Doors

Utilimaster, 65528 State Road 19, P.O. Box 585, Wakarusa, IN 46573-0585, U.S.A.

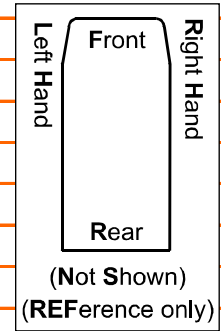
Email CustSvc@Utilimaster.com or Browse the web site www.utilimaster.com.

Call 800-237-7806 (or 574-862-3219) or Fax to 574-862-7637.

(See the Decoding Part Numbers section for Item, Part, and Description codes.)



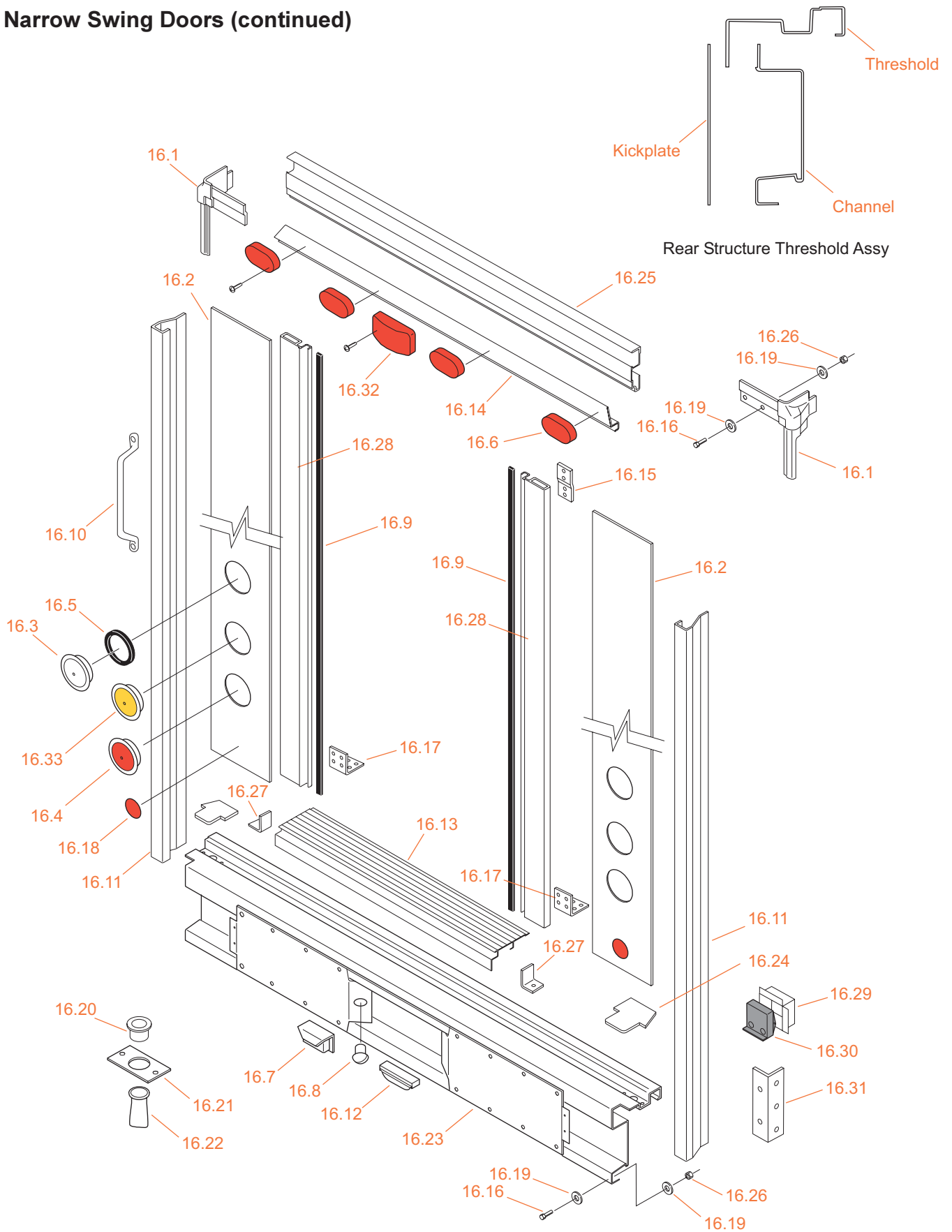
Item	Part Number	Description
16.10.1	08704347	HANDLE ALUM GRAB
16.10.2	08610684	HANDLE ALUM GRAB 18"
16.10.3	08210060	HANDLE ALUM GRAB 18" 4 HLS
16.11	06003852-Length	IA7281 POST (SPECIFY LENGTH)
16.12.1	16512260	LIGHT LICENSE PLATE
16.12.2	16512261	LIGHT BASE LIC PLATE FOR 16512260
16.13.1	06012503-CHART	IA7919 FILLER 06003892 (SPECIFY LENGTH)
16.13.2	06921479-CHART	FILLER T/HOLD 20" SWING DOOR W\RAMP
16.13.3	06012503-CHART	IA7919 FILLER CHART 06003892
16.14	06012496-CHART	IA7934 HDR FIL 06003899 (SPECIFY LENGTH)
16.15	06601716	BRACKET RR DR FRAME SWG
16.16	11600175	BOLT HEX CAP 5/16-18 x 1.5 SS
16.17	06915579	ANGLE HLS (BRKT) 2" 06002035
16.18.1	16200034	REFLECTOR RED TAPE ROUND 2.88
16.18.2	16511547	REFLECTOR RED 3"
16.18.3	15200498	REFLECTOR RED TAPE (Rectangle)
16.19	11000160	WASHER 5/16 FLAT SS
16.20	19901120	GROMMET KAZOO DRAIN
16.21	06913511	BRKT KAZOO DRAIN .125 x 1.70 x 4.0
16.22.1	19901122	HOSE DUCK BILL
16.22.2	19901253	DRAIN RUBBER KAZOO
16.23.1	Appendix 55231017	KICKPLATE REAR
16.23.2	06012493-Width	IA9055 CHNL MOD 06003891
16.23.3	06923800-Chart	THRHLD RR STRUCT CHART ALL
16.23.4	06915570-Width	**THRESHOLD IA9056 NTCH 06003893 2-PT
16.23.5	06915563-Width	**THRESHOLD NTC 06003893 SGL PT
16.23.6	06916131-Width	**THRESHOLD, RR STR R/U MSL CHT
16.24	06502677	FILLER RR CORNER POST
16.25	06916159-Width	IA7473 HDR NTC (SPECIFY UNIT WIDTH)
16.26	11000040	NUT LCK WXD 5/16-18 2WAY GR5 ZN
16.27 LH	06917082	IA637 ANGLE LH 1.56 06002050
16.27 RH	06917080	IA637 ANGLE RH 1.56 06002050
16.28 LH	06014421-CHART	IAH1645 DR FRM LH 06003900 (SPECIFY LENGTH)
16.28 RH	06014422-CHART	IAH1645 DR FRM RH 06003900 (SPECIFY LENGTH)
16.29	06916526	BOX WLDMT SENSOR FEDEX #30-36



Continued

16—Rear Structure

Narrow Swing Doors (continued)



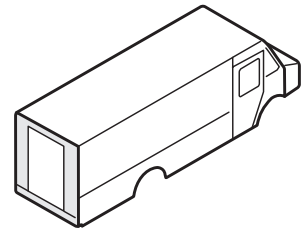
Rear Structure, Narrow Swing Doors

Utilimaster, 65528 State Road 19, P.O. Box 585, Wakarusa, IN 46573-0585, U.S.A.

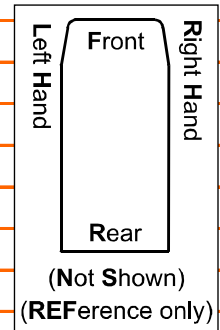
Email CustSvc@Utilimaster.com or Browse the web site www.utilimaster.com.

Call 800-237-7806 (or 574-862-3219) or Fax to 574-862-7637.

(See the Decoding Part Numbers section for Item, Part, and Description codes.)

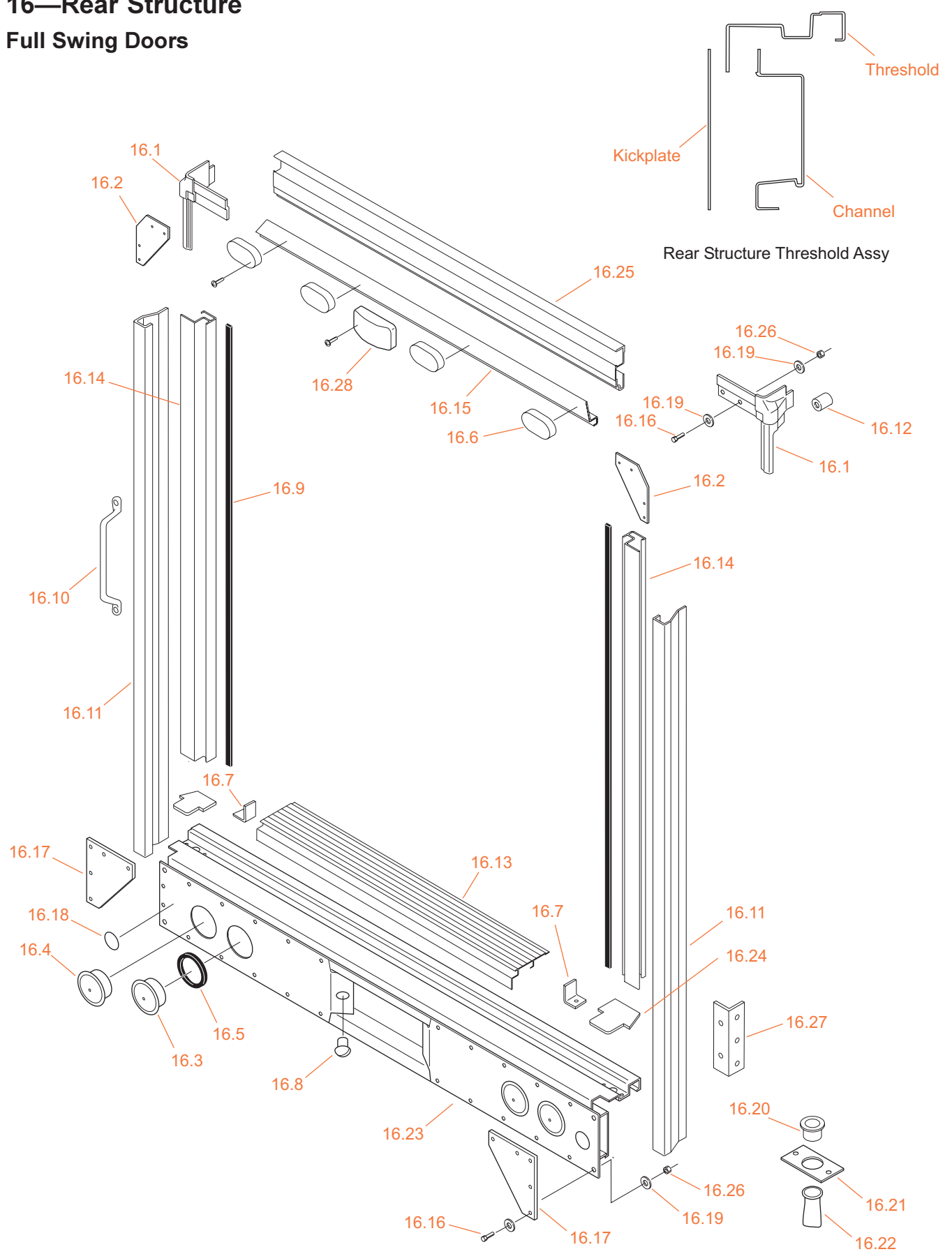


Item	Part Number	Description
16.30 LH	16512737	ECHO SENSOR LH
16.30 RH	16512736	ECHO SENSOR RH
16.31	06915784	ANGLE RR STR SPRT .188 x 2 x 3.38
16.32.1	16511939	LIGHT SUPPLEMENTAL HI-MNTD STOP
16.32.2	16512635	LIGHT LED SUPPLEMENTAL HI-MNTD STOP
16.32.3	16512993	LIGHT REAR LED SUPPLEMENTAL
16.33	16512937	LIGHT YELLOW SEALED
16.Ref	55231326	KICKPLATE ASSEMBLY CHART
16.Ref	55231276	INSTALL BRKT OFFSET DR HOLDER
16.Ref	55231310	INSTALL CHMSL LIGHT 16512993
16.Ref	55231240	INSTL RR CLR LT 1612590 ALL
16.Ref	55231307	REAR CLEARANCE LIGHT 16513086 INSTL
16.Ref	55231274	INSTALL RR CLEARANCE LIGHT 16512878
16.Ref	53234684	GRAB HANDLE LOC RH & REAR 18 x 93.5 x 85
16.Ref	55231259	RR STR ASY ROLL UP 2PT
16.Ref	06917081	GUARD INST T/HOLD FILLER
16.Ref	55230995	KAZOO DRAIN INSTAL



16—Rear Structure

Full Swing Doors



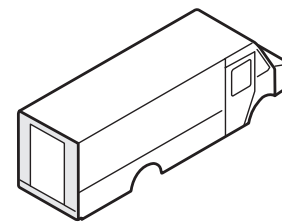
Rear Structure, Full Swing Doors

Utilimaster, 65528 State Road 19, P.O. Box 585, Wakarusa, IN 46573-0585, U.S.A.

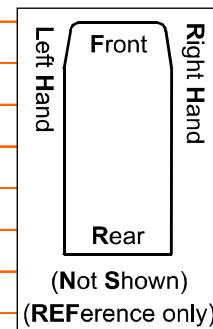
Email CustSvc@Utilimaster.com or Browse the web site www.utilimaster.com.

Call 800-237-7806 (or 574-862-3219) or Fax to 574-862-7637.

(See the Decoding Part Numbers section for Item, Part, and Description codes.)



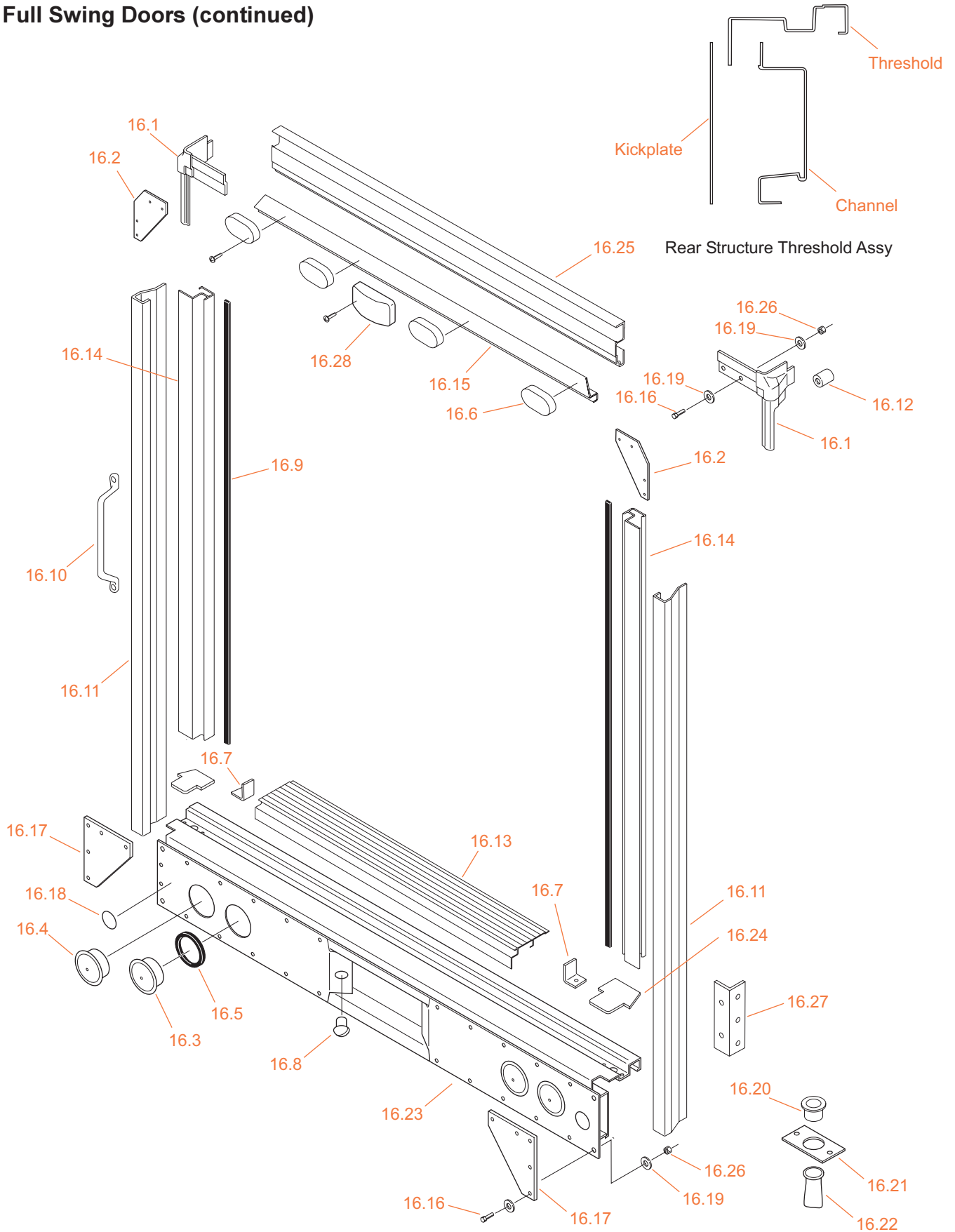
Item	Part Number	Description
16.FS	55230966	RR STR ASY FULL SWING DOORS
16.QF	55230968	RR STR ASY QRT FOLD SWING DOORS
16.1 LH	06800094	CASTING RR ROOF LH
16.1 RH	06800095	CASTING RR ROOF RH
16.2	06915488	GUSSET RR STR UPR SWG/DRS
16.3	See Nar Swg Asy	LIGHT BACK UP
16.4	See Nar Swg Asy	LITE RED LED 4" STT W/FLG
16.5	See Nar Swg Asy	GROMMET TAILLIGHT
16.6	See Nar Swg Asy	LIGHT CLRNC RED LED
16.7 LH	06917082-Length	IA637 ANGLE LH 1.56 06002050
16.7 RH	06917080-Length	IA637 ANGLE RH 1.56 06002050
16.8	See Nar Swg Asy	LIGHT, LICENSE PLATE
16.9	05402183	SEAL "D" .375 x .625
16.10	08704347	HANDLE ALUM GRAB
16.11	06003852-Length	IA7281 POST (SPECIFY LENGTH)
16.12	22813386-00075	TUBE 1" OD x 3/8" ID x 5/16" WALL x .75
16.13.1	06012501-Length	IA7919 FILLER NTC 06003892 (SPECIFY LENGTH)
16.13.2	06012506-Length	FILLER THRES 1/4 FOLD 06003892 (SPECIFY LENGTH)
16.13.3	06923115-Length	FILLER T/HOLD BIFOLD DR W/RAMP (SPECIFY LENGTH)
16.14 LH	06014420-Length	IA7933 FILR LH 06003898 (SPECIFY LENGTH)
16.14 RH	06014419-Length	IA7933 FILR RH 06003898 (SPECIFY LENGTH)
16.15.1	06012497-Width	IA7934 HDR FIL FSW G 06003899 (SPECIFY UNIT WIDTH)
16.15.2	06014437-Width	IA7934 HDR FLR QF 06003899 (SPECIFY UNIT WIDTH)
16.16	11600175	BOLT HEX CAP 5/16-18 x 1.5 SS
16.17.1	06502984	GUSSET LOWER RR STR
16.17.2	22817088	GUSSET REAR STRUCTURE LOWER STEEL
16.18	See Nar Swg Asy	REFLECTOR RED TAPE ROUND
16.19	11000160	WASHER 5/16 FLAT SS
16.20	19901120	GROMMET KAZOO DRAIN
16.21	06913511	BRKT KAZOO DRAIN .125 x 1.70 x 4.0
16.22.1	19901122	HOSE DUCK BILL std
16.22.2	19901253	DRAIN RUBBER KAZOO
16.23	See Nar Swg Asy	KICKPLATE ASY
16.24	06502677	FILLER RR CORNER POST
16.25	See Nar Swg Asy	IA7473 HDR NTC (SPECIFY UNIT WIDTH)
16.26	11000040	NUT LCK WXD 5/16-18 2WAY GR5 ZN



Continued

16—Rear Structure

Full Swing Doors (continued)



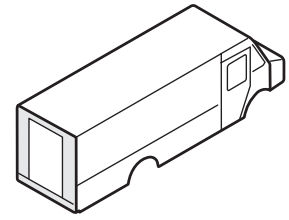
Rear Structure, Full Swing Doors

Utilimaster, 65528 State Road 19, P.O. Box 585, Wakarusa, IN 46573-0585, U.S.A.

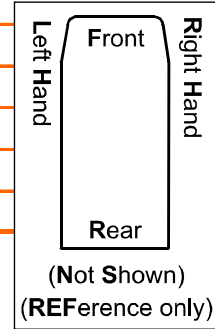
Email CustSvc@Utilimaster.com or Browse the web site www.utilimaster.com.

Call 800-237-7806 (or 574-862-3219) or Fax to 574-862-7637.

(See the Decoding Part Numbers section for Item, Part, and Description codes.)

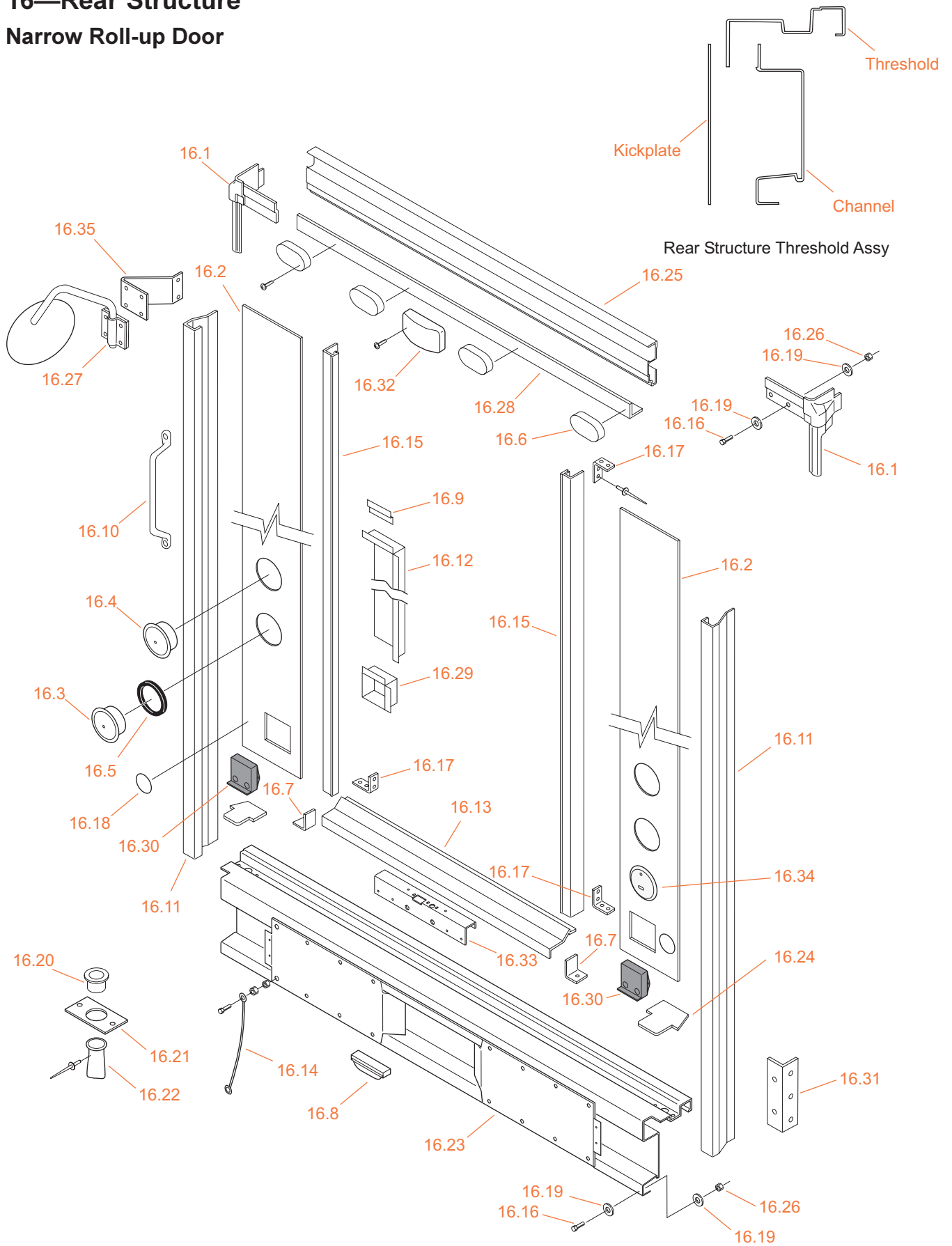


Item	Part Number	Description
16.27	06915784	ANGLE RR STR SPRT .188 x 2 x 3.38
16.28	See Nar Swg Asy	LIGHT SUPPLEMENTAL HI-MNTD STOP
16.Ref	55231257	RR STR S/ASY
16.Ref	06917081	GUARD INST T/HOLD FILLER
16.Ref	55230995	KAZOO DRAIN INSTAL
See also Rear Structure–Narrow Swing Doors.		



16—Rear Structure

Narrow Roll-up Door



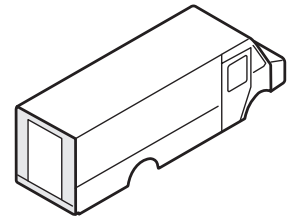
Rear Structure, Narrow Roll-up Door

Utilimaster, 65528 State Road 19, P.O. Box 585, Wakarusa, IN 46573-0585, U.S.A.

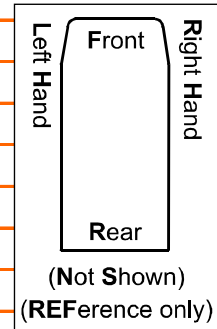
Email CustSvc@Utilimaster.com or Browse the web site www.utilimaster.com.

Call 800-237-7806 (or 574-862-3219) or Fax to 574-862-7637.

(See the Decoding Part Numbers section for Item, Part, and Description codes.)



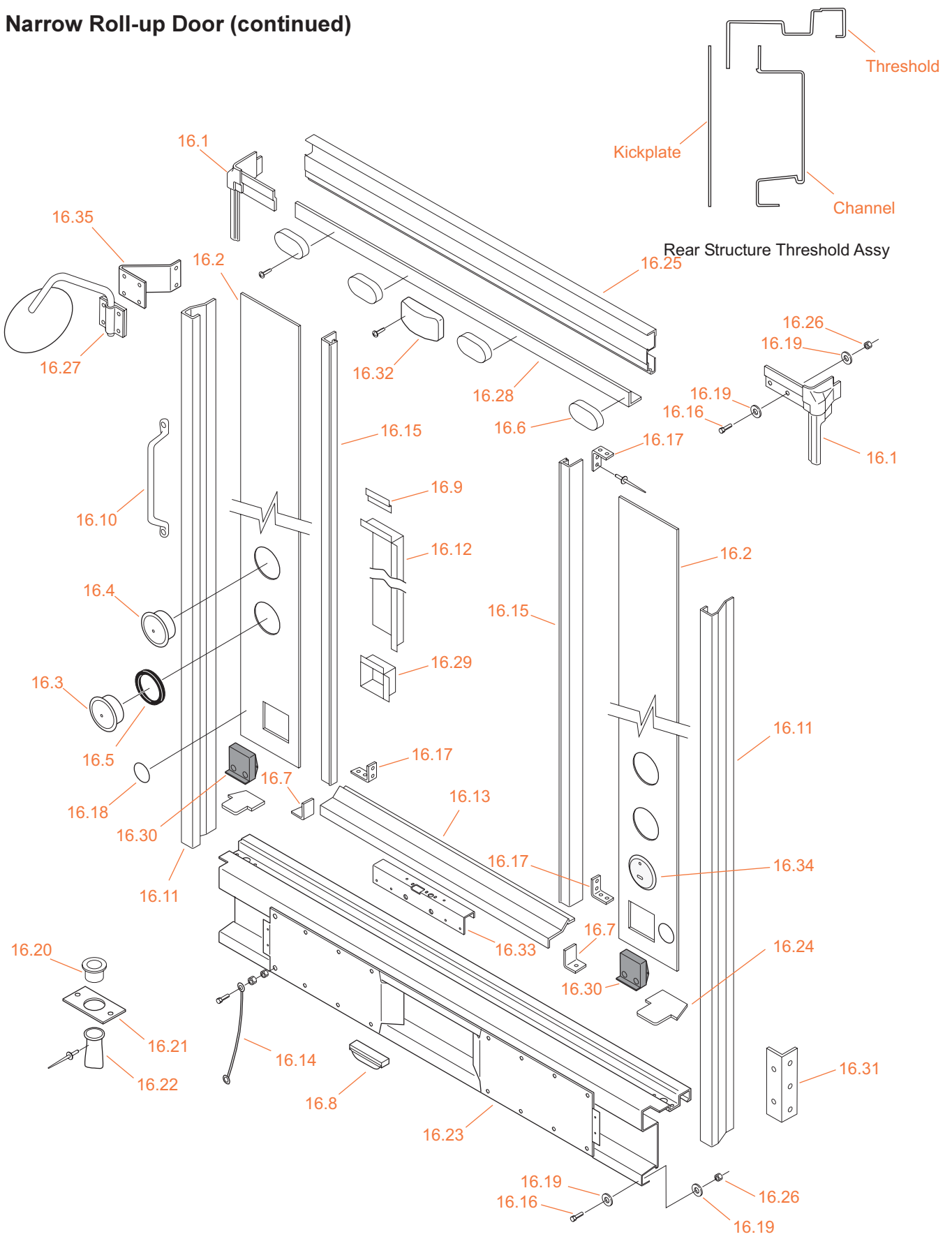
Item	Part Number	Description
16.NR		RR STR ASY NARROW ROLL-UP DOOR
16.1 LH	06800094	CASTING RR ROOF LH
16.1 RH	06800095	CASTING RR ROOF RH
16.2	Appendix 55230969	METAL, REAR STRUCTURE NARROW ROLL-UP
16.3	See Nar Swg Asy	LIGHT BACK UP
16.4	See Nar Swg Asy	LITE RED LED 4" STT W/FLG
16.5	See Nar Swg Asy	GROMMET TAILLIGHT
16.6	See Nar Swg Asy	LIGHT CLRNC RED LED
16.7 LH	06917082	IA637 ANGLE LH 1.56 06002050
16.7 RH	06917080	IA637 ANGLE RH 1.56 06002050
16.8	See Nar Swg Asy	LIGHT LICENSE PLATE
16.9	06601788	BRACKET TAILLIGHT COVER
16.10	08704347	HANDLE ALUM GRAB
16.11	06003852	IA7281 POST (SPECIFY LENGTH)
16.12.1	06601785	COVER TAILLIGHT 5.11 X 30.89
16.12.2	06921884	COVER TAILLIGHT 5.11 x 42.64
16.12.3	06922943	COVER TAILLIGHT 30.00
16.12.4	20510684	COVER 30.89" TAILLIGHT BLACK ABS
16.13.1	06916165-Length	THRES FILR RU 2PT (SPECIFY LENGTH)
16.13.2	06915564-Length	FILLER THOLD RU DR 1PT (SPECIFY LENGTH)
16.13.3	06014423-Length	IA8050 THRES FILR RU 06003906 (SPECIFY LENGTH)
16.14.0	10997311	SAFETY CABLE
16.14.1	11000186	BOLT HEX CAP 7/16-14 x 1.5 SS
16.14.2	11000187	NUT 7/16 SS
16.14.3	11000041	NUT LOCK WXD 7/16-14 2WAY ZN
16.15	06003882-Length	IA7739 POST NAR RU (SPECIFY LENGTH)
16.16	11600175	BOLT HEX CAP 5/16-18 x 1.5 SS
16.17 LH	06915987	ANGLE LH HLS 1.50 06002037
16.17 RH	06915988	ANGLE RH HLS 1.50 06002037
16.18	See Nar Swg Asy	REFLECTOR RED TAPE
16.19	11000160	WASHER 5/16 FLAT SS
16.20	19901120	GROMMET KAZOO DRAIN
16.21	06913511	BRKT KAZOO DRAIN .125 x 1.70 x 4.0
16.22.1	19901122	HOSE DUCK BILL
16.22.2	19901253	DRAIN RUBBER KAZOO



Continued

16—Rear Structure

Narrow Roll-up Door (continued)



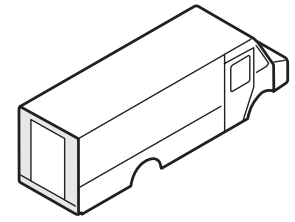
Rear Structure, Narrow Roll-up Door

Utilimaster, 65528 State Road 19, P.O. Box 585, Wakarusa, IN 46573-0585, U.S.A.

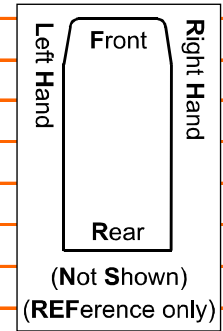
Email CustSvc@Utilimaster.com or Browse the web site www.utilimaster.com.

Call 800-237-7806 (or 574-862-3219) or Fax to 574-862-7637.

(See the Decoding Part Numbers section for Item, Part, and Description codes.)

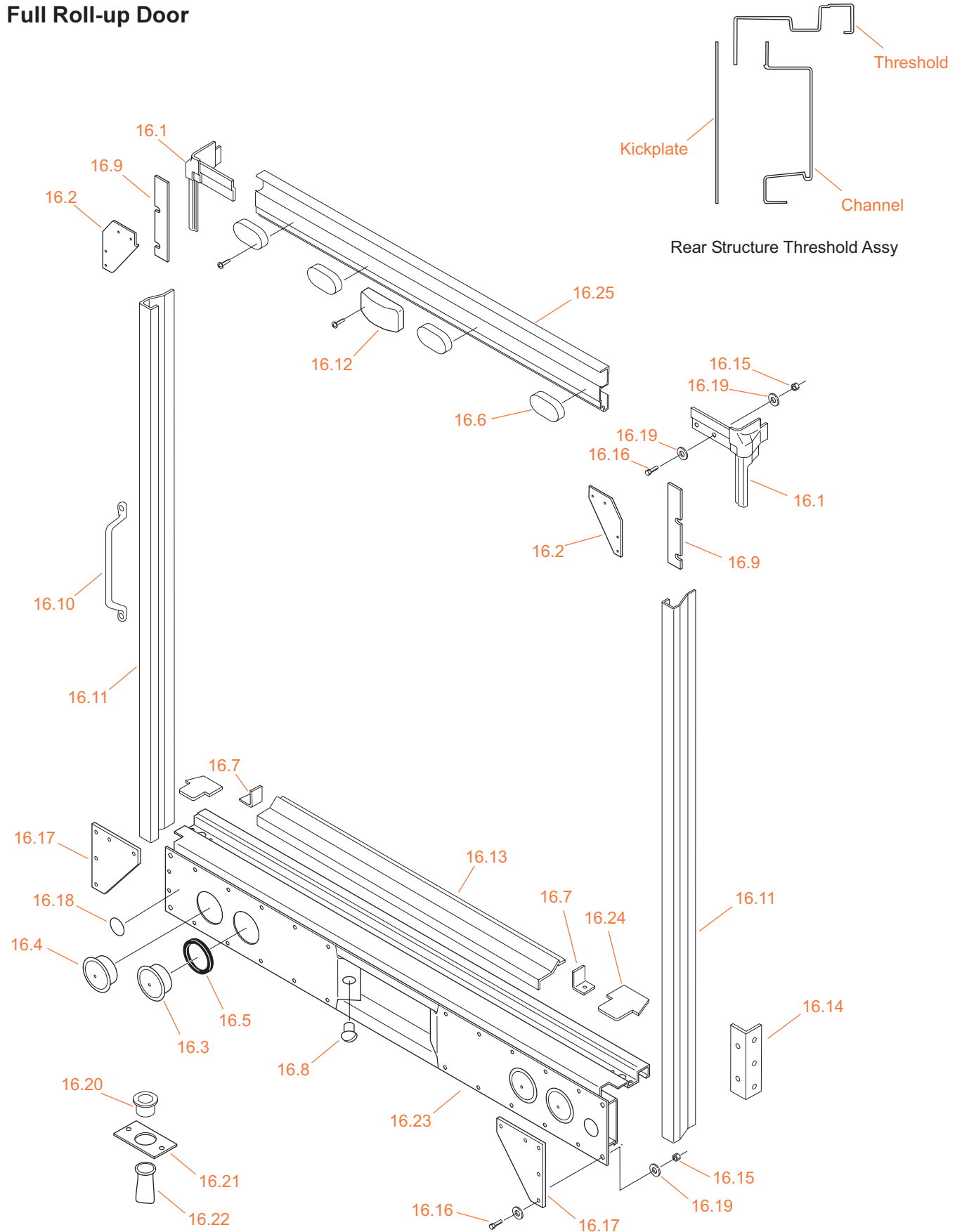


Item	Part Number	Description
16.23	See Nar Swg Asy	KICKPLATE ASY
16.24	06502677	FILLER RR CORNER POST
16.25	06916159	IA7473 HDR NTC (SPECIFY UNIT WIDTH)
16.26	11000040	NUT LCK WXD 5/16-18 2WAY GR5 ZN
16.27	13301649	MIRROR 10" DIA W/BRKT SS
16.28	06916160-Length	TRIM RUHDR HEADER 06003907 (SPECIFY LENGTH)
16.29	06916526	BOX WLDMT SENSOR FEDEX
16.30 LH	16512737	ECHO SENSOR LH
16.30 RH	16512736	ECHO SENSOR RH
16.31	06915784	ANGLE RR STR SPRT .188 x 2 x 3.38
16.32	See Nar Swg Asy	LIGHT SUPPLEMENTAL HI-MNTD STOP
16.33	22813418	BRACE SGL POINT SLAM WHTNG
16.34.1	16512777	READER ACCESS KYLS ENTRY
16.34.2	16512776	MODULE ACCESS CNTRL KYLS
16.35	06920198	MOUNT MIRROR REAR CROSSWALK
16.Ref	55231255	RR STR ASY 86.5W x 81H ECHO
16.Ref	55230969	RR STR ASY 40" RU 86.5 x 81 2PT
16.Ref	55231259	RR STR ASY ROLL UP 2PT ECHO
16.Ref	55231257	RR STR S/ASY
16.Ref	06917081	GUARD INST T/HOLD FILLER
16.Ref	55230995	KAZOO DRAIN INSTAL
See also Rear Structure–Narrow Swing Doors.		



16—Rear Structure

Full Roll-up Door



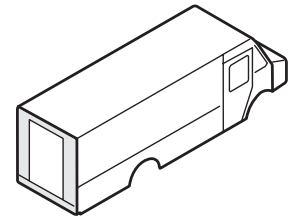
Rear Structure, Full Roll-up Door

Utilimaster, 65528 State Road 19, P.O. Box 585, Wakarusa, IN 46573-0585, U.S.A.

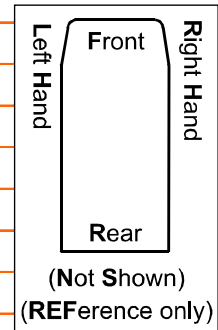
Email CustSvc@Utilimaster.com or Browse the web site www.utilimaster.com.

Call 800-237-7806 (or 574-862-3219) or Fax to 574-862-7637.

(See the Decoding Part Numbers section for Item, Part, and Description codes.)

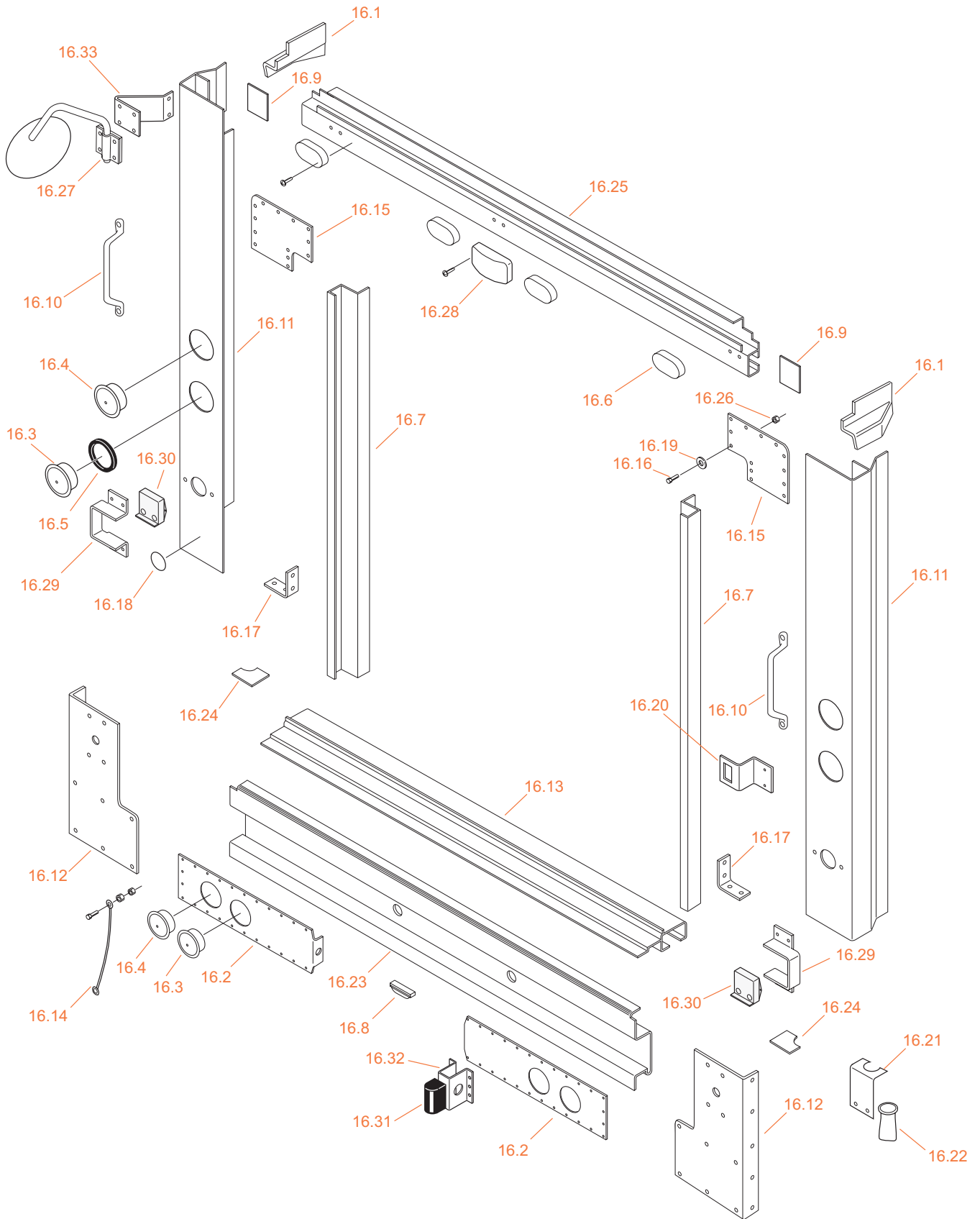


Item	Part Number	Description
16.FR	55230970	RR STR ASY FULL ROLL-UP DOORS
16.1 LH	06800094	CASTING RR ROOF LH
16.1 RH	06800095	CASTING RR ROOF RH
16.2 LH	06915472	GUSSET RR STR UPR LH
16.2 RH	06915473	GUSSET RR STR UPR RH
16.3	See Nar Swg Asy	LIGHT BACK UP
16.4	See Nar Swg Asy	LIGHT RED 4" STOP
16.5	See Nar Swg Asy	GROMMET TAILLIGHT
16.6	See Nar Swg Asy	LIGHT CLRNC RED LED
16.7 LH	06917082	IA 637 ANGLE LH 1.56 06002050
16.7 RH	06917080	IA 637 ANGLE RH 1.56 06002050
16.8	See Nar Swg Asy	LIGHT LICENCE PLATE
16.9	06915504	SHIM RR STR GUSSET
16.10	08704347	HANDLE ALUM GRAB
16.11	06003852-Length	IA 7281 POST (SPECIFY LENGTH)
16.12	See Nar Swg Asy	LIGHT CNTR HI-MNTD STOP
16.13	06916165-Length	THRESHLD FILLER (SPECIFY LENGTH)
16.14	06915784	ANGLE RR STR SPRT .188 x 2 x 3.38
16.15	11000040	NUT LCK WXD 5/16-18 2W A Y GR5 ZN
16.16	11600175	BOLT HEX CAP 5/16-18 x 1.5 SS
16.17	06502984	GUSSET LOWER RR STR
16.18	See Nar Swg Asy	REFLECTOR RED TAPE
16.19	11000160	WASHER 5/16 FLAT SS
16.20	19901120	GROMMET KAZOO DRAIN
16.21	06913511	BRKT KAZOO DRAIN .125 x 1.70 x 4.0
16.22.1	19901122	HOSE DUCK BILL
16.22.2	19901253	DRAIN RUBBER KAZOO
16.23	See Nar Swg Asy	KICKPLATE ASY
16.24	06502677	FILLER RR CORNER POST
16.25	06916159-Length	IA 7473 HDR NTC (SPECIFY UNIT WIDTH)
16.Ref	55231257	RR STR S/ASY
16.Ref	06917081	GUARD INST T/HOLD FILLER
16.Ref	55230995	KAZOO DRAIN INSTAL
See also Rear Structure—Narrow Swing Doors.		



16—Rear Structure

Full Roll-up Door with Wide Post Option



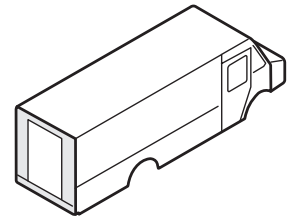
Rear Structure, Full Roll-up Door with Wide Post Option

Utilimaster, 65528 State Road 19, P.O. Box 585, Wakarusa, IN 46573-0585, U.S.A.

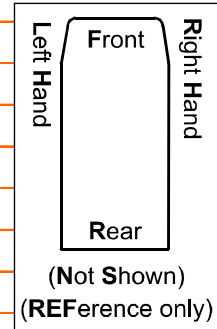
Email CustSvc@Utilimaster.com or Browse the web site www.utilimaster.com.

Call 800-237-7806 (or 574-862-3219) or Fax to 574-862-7637.

(See the Decoding Part Numbers section for Item, Part, and Description codes.)



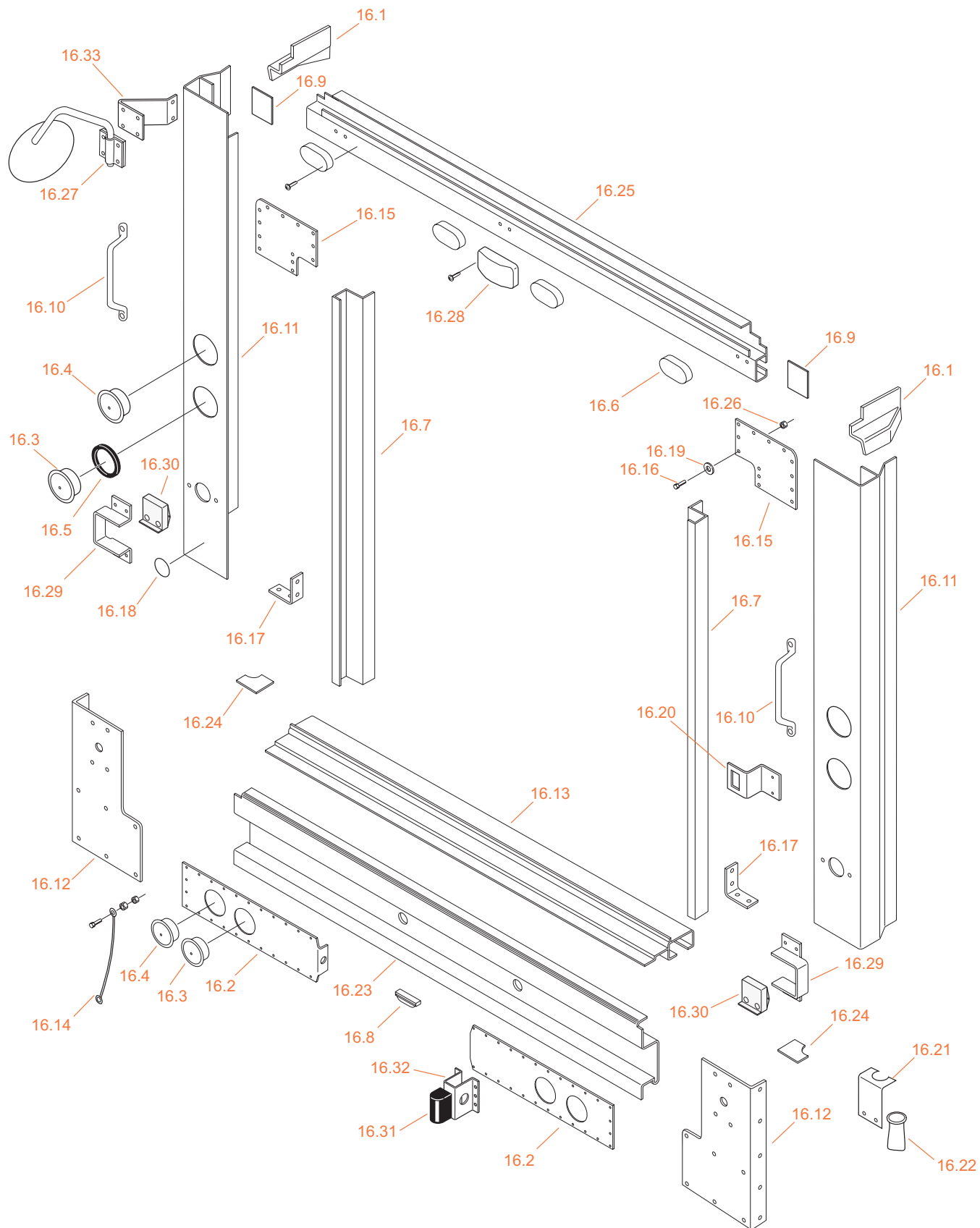
Item	Part Number	Description
16.0.1	55231324	WIDE POST REAR STRCT KP/LIGHTS
16.0.2	55231351	WIDE POST REAR STRCT CRN POST/LIGHTS
16.1 LH	06917694	CAP LH RR CORNER POST
16.1 RH	06917693	CAP RH RR CORNER POST
16.2.1	06918443-Width	K/P BLNK SEALED LIC LT (SPECIFY UNIT WIDTH)
16.2.2	06923737-CHART	K/P BLNK W\LIGHTS (SPECIFY UNIT WIDTH)
16.2.3	06918128-CHART	K/P BLNK NO LIGHTS (SPECIFY UNIT WIDTH)
16.3	See Nar Swg Asy	LIGHT BACK UP
16.4	See Nar Swg Asy	LITE RED 4" STT
16.5	See Nar Swg Asy	GROMMET TAILLIGHT
16.6	See Nar Swg Asy	LIGHT CLRNC RED
16.7	06003916-Length	IA 8592 POST NAR RU 06003916 (SPECIFY LENGTH)
16.8	See Nar Swg Asy	LIGHT LICENSE PLATE
16.9	06917764	ALUM .125 X 3.06 X 3.06
16.10	08704347	HANDLE ALUM GRAB
16.11 .0	06003913-Length	IA 8593 RR CRNR POST 06003913 (SPECIFY LENGTH)
16.11.1 LH	06923733-CHART	IA 8593 RR CRNR POST 06003913 (SPECIFY UNIT SIZE)
16.11.1 RH	06923734-CHART	IA 8593 RR CRNR POST 06003913 (SPECIFY UNIT SIZE)
16.11.2 LH	06919354-CHART	IA 8593 RR CRNR POST 06003913 W\LIGHTS (SPECIFY UNIT SIZE)
16.11.2 RH	06919353-CHART	IA 8593 RR CRNR POST 06003913 W\LIGHTS (SPECIFY UNIT SIZE)
16.12 LH	06918121	GUARD REAR CORNER LH WIDE POST
16.12 RH	06918122	GUARD REAR CORNER RH WIDE POST
16.13	06918126-Width	T/HOLD NTCH 2PT 06003920 (SPECIFY UNIT SIZE)
16.14.0	10997311	CABLE PLASTIC CVRD 10"
16.14.1	11000186	BOLT HEX CAP 7/16-14 x 1.5 SS
16.14.2	11000187	NUT 7/16 SS
16.14.3	11000041	NUT LOCK WXD 7/16-14 2WAY
16.15.1	06920187	PLATE UPR CRNR RR REINF
16.15.2	06924623	PLATE REINF WD POST RR STR UPR COR
16.16	11004442	BOLT HEX 5/16-18 x 1
16.17	06002047-00200	IA 4114 ANGLE 2.00 6002047
16.18	See Nar Swg Asy	REFLECTOR RED TAPE
16.19	11008417	WASHER 5/16 FLAT
16.20	06917783	MOUNTING BRACKET, CARGO LIGHT SWITCH
16.21	06919447	BRACKET DRAIN VALVE WIDE POST



Continued

16—Rear Structure

Full Roll-up Door with Wide Post Option (continued)



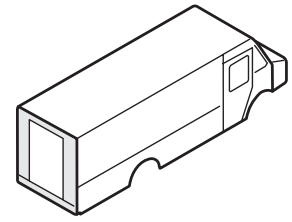
Rear Structure, Full Roll-up Door with Wide Post Option

Utilimaster, 65528 State Road 19, P.O. Box 585, Wakarusa, IN 46573-0585, U.S.A.

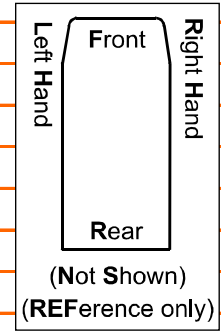
Email CustSvc@Utilimaster.com or Browse the web site www.utilimaster.com.

Call 800-237-7806 (or 574-862-3219) or Fax to 574-862-7637.

(See the Decoding Part Numbers section for Item, Part, and Description codes.)

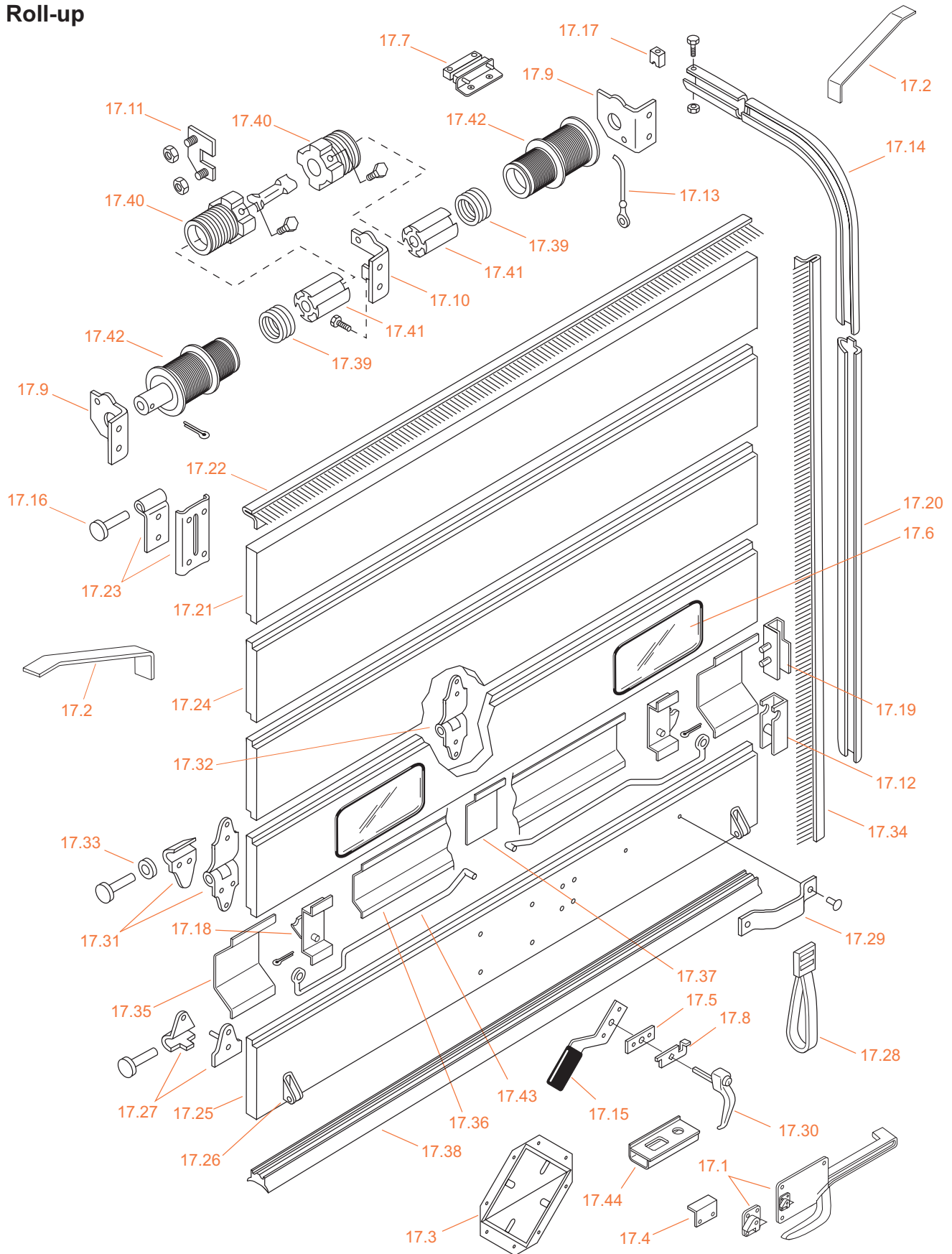


Item	Part Number	Description
16.22	19800956	VALVE DUCK BILL 077783000
16.23	06918127	K/PLT CHNL NTC 06003919
16.24	06917864	FILLER REAR STRUCT WIDE POST
16.25.1	06919258-CHART	HDR RR STR 06003918 (SPECIFY UNIT SIZE)
16.25.2	06917684	HEADER REAR 78.00 06003918
16.25.3	06918125-CHART	HEADER REAR 06003918 (SPECIFY UNIT SIZE)
16.26	11000040	NUT LCK WXD 5/16-18 2WAY GR5 ZN
16.27	13301649	MIRROR 10" DIA W/BRKT SS
16.28	See Nar Swg Asy	LIGHT SUPPLEMENTAL HI-MNTD STOP
16.29 LH	06918476	GUARD ECHOVISION LH
16.29 RH	06918477	GUARD ECHOVISION RH
16.30 LH	16512737	MODULE ECHOVISION LH SENSOR
16.30 RH	16512736	MODULE ECHOVISION RH SENSOR
16.31	01903047	BUMPER DOCK 2.12 x 1.88 x 6
16.32	06922383	BACKER RUBBER DOCK BUMPER .406 HLS
16.33	06920198	MOUNT MIRROR REAR CROSSWALK
16.Ref	55231247	INSTL REAR CROSSWALK MIRROR
16.Ref	55231286	DOCK BUMPERS ON KICKPLATE 2 x 2 x 6 CHT
16.Ref	55231230	KAZOO DRAIN INSTAL
	See also Rear Structure–Narrow Swing Doors.	



17—Rear Doors

Roll-up



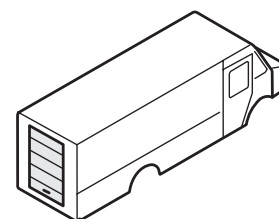
Rear Doors, Roll-up

Utilimaster, 65528 State Road 19, P.O. Box 585, Wakarusa, IN 46573-0585, U.S.A.

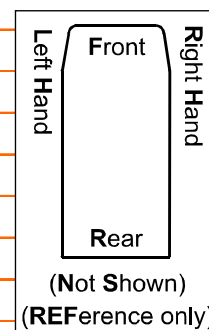
Email CustSvc@Utilimaster.com or Browse the web site www.utilimaster.com.

Call 800-237-7806 (or 574-862-3219) or Fax to 574-862-7637.

(See the Decoding Part Numbers section for Item, Part, and Description codes.)



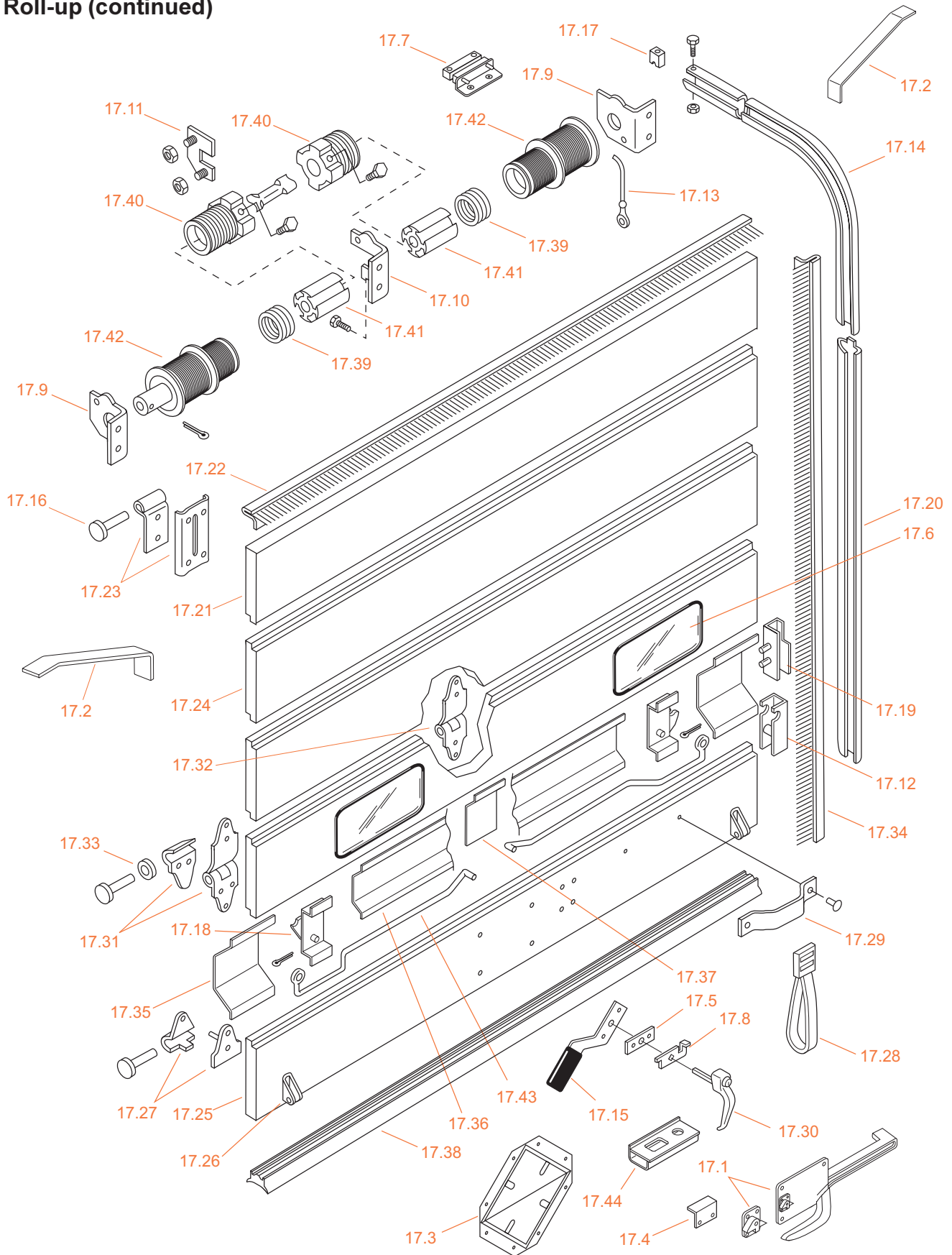
Item	Part Number	Description
17.0	DSNR	REAR ROLL-UP DOOR
17.1	DSNR	MASTER SECURITY (BANANA) LOCK
17.2	06915566	GUSSET NARROW RU DOORS
17.3.1	03101840	PLACARD HAZMAT SPLIT
17.3.2	03101864	PLACARD HAZMAT SPLIT
17.3.3	03101871	PLACARD HAZMAT SPLIT
17.3.4	11401221	RIVET FW 3/16 x 1/4-1/2
17.4.1	22813833	CATCH ASSY RU DR MSL #30-36
17.4.2	22814361	CATCH ASSY RU DR MSL WIDE POST OPT
17.5	DSNR	BOTTOM PLATE
17.6.1	09080405	GLASS 8" x 19" x .219 RAD R-UP DOOR
17.6.2	09080444	GLASS 1/4 x 17-5/8 x 11-5/8
17.6.3	09801338	GLASS 9 x 22 x .219 RAD RU DR
17.6.4	20600021	WINDOW CUTOUT WITH GASKET
17.6.5	05705480	**RUBBER RU DR WDO 9 x 22 (Replaced with 05705480)
17.7.1	16511341	SWTCH MGNTC SW DR AJAR
17.7.2	16511398	SWITCH MAGNETIC ACTUATOR
17.7.3	06921297	ANGLE MTG MAGNETIC KYLS ENTRY
17.8	DSNR	ACTUATOR
17.9 LH	DSNR	BALANCER BRACKET LH
17.9 RH	DSNR	BALANCER BRACKET RH
17.10	DSNR	BALANCER BRACKET CENTER
17.11	DSNR	BALANCER BRACKET CLAMP (CENTER)
17.12	DSNR	LATCH PLATE
17.13	DSNR	STAINLESS STEEL CABLE
17.14	DSNR	HORIZONTAL TRACK
17.15	DSNR	HANDLE, INTERIOR WITH PLASTIC GRIP
17.16.1	10997091	2" STEEL ROLLERS
17.16.2	Parts Guide	2" ROLLERS
17.17.1	DSNR	2" TRACK STOP BUMPER
17.17.2	10301353	GUARD END YELLOW RUBBER
17.18 LH	DSNR	LATCH ASSY LH
17.18 RH	DSNR	LATCH ASSY RH
17.19 LH	DSNR	LATCH PLATE MOUNT LH
17.19 RH	DSNR	LATCH PLATE MOUNT RH



Continued

17—Rear Doors

Roll-up (continued)



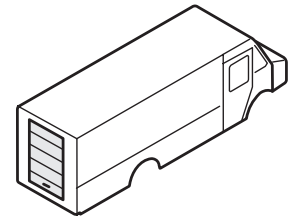
Rear Doors, Roll-up

Utilimaster, 65528 State Road 19, P.O. Box 585, Wakarusa, IN 46573-0585, U.S.A.

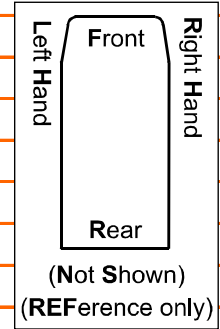
Email CustSvc@Utilimaster.com or Browse the web site www.utilimaster.com.

Call 800-237-7806 (or 574-862-3219) or Fax to 574-862-7637.

(See the Decoding Part Numbers section for Item, Part, and Description codes.)

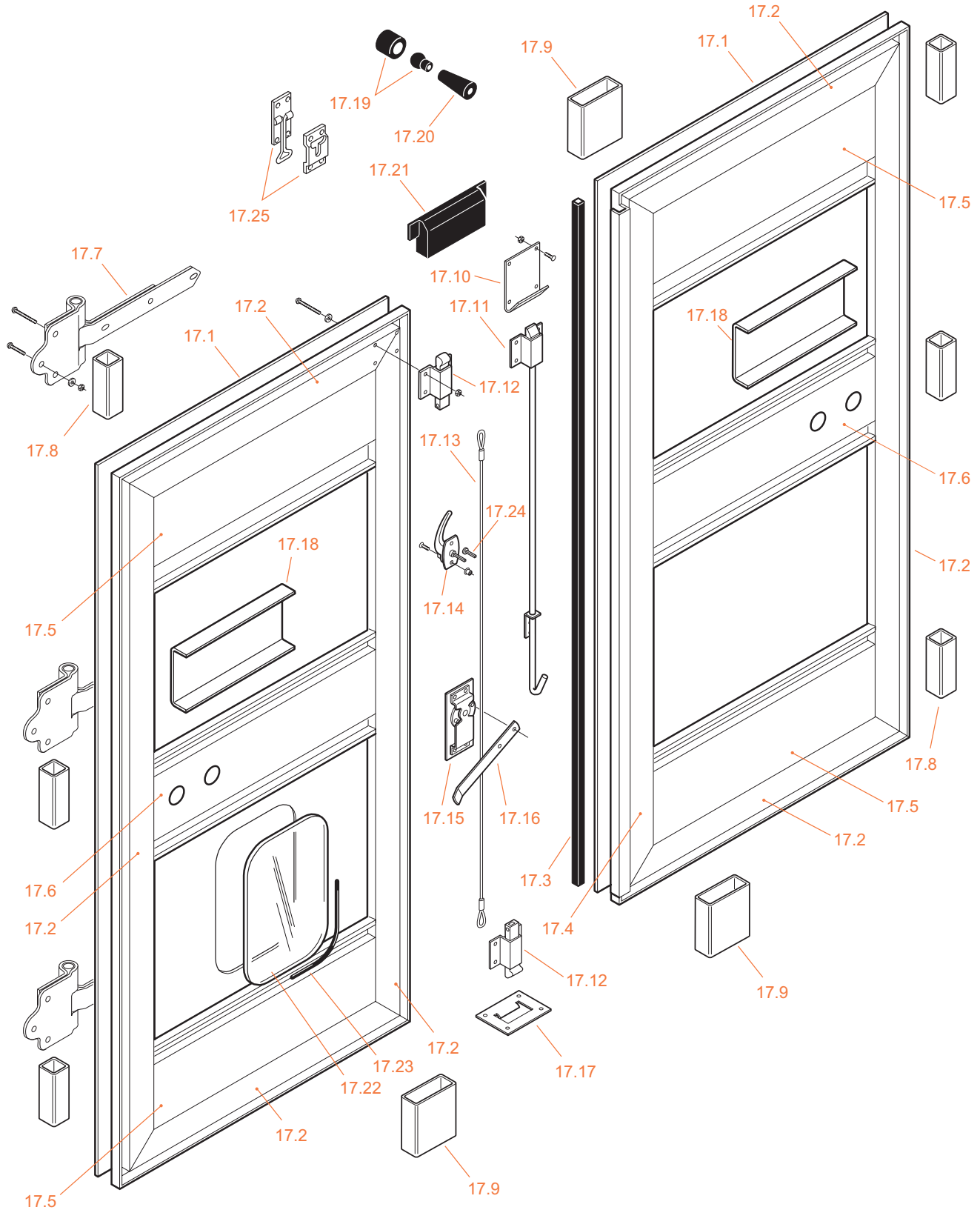


Item	Part Number	Description
17.20	DSNR	VERTICAL TRACK AND MOUNTING ANGLE
17.21	DSNR	TOP PANEL ASSY
17.22	DSNR	DOOR TOP BRUSH SEAL
17.23	DSNR	TOP CLOSURE ASSEMBLY
17.24.1	DSNR	INTERMEDIATE PANEL
17.24.2	DSNR	INTERMEDIATE PANEL
17.25	DSNR	BOTTOM PANEL ASSEMBLY
17.26	DSNR	CABLE ANCHORS
17.27	DSNR	BOTTOM ROLLER BRACKET ASSEMBLY
17.28	DSNR	PULL STRAP
17.29	DSNR	GRAB HANDLE
17.30	DSNR	HANDLE, EXTERIOR
17.31.0	DSNR	ROLLER HINGE ASSEMBLY
17.31.1	DSNR	GASKET, ROLLER HINGE
17.32.0	DSNR	CENTER HINGE
17.32.1	DSNR	GASKET, ROLLER HINGE
17.33	DSNR	SPACER, WASHER (FOR ROLLERS)
17.34.1	08610272	SEAL BRUSH 92" BLACK
17.34.2	08610677	SEAL BRUSH BLACK 92"
17.34.3	08610436	SEAL BRUSH WHITE 92"
17.34.4	DSNR	SIDE BRUSH SEAL
17.34.5	10997315	SEAL ASSY SIDE BRUSH 77"
17.35	DSNR	LATCH COVER
17.36	DSNR	COVER ASSY, LOCK PANEL
17.37.0	DSNR	PLATE ASSY
17.37.1	DSNR	PIN, ACTUATOR
17.38	DSNR	LOWER DOOR SEAL
17.39	DSNR	TORSION SPRING WOUND
17.40	DSNR	CABLE DRUM BEARING ASSEMBLY
17.41	DSNR	SPRING SPACER
17.42	DSNR	WINDING CONE
17.43	DSNR	LOCK ROD
17.44	22813418	BRACE SGL POINT SLAM WHTNG
17.NS	10997310	QUICK RELEASE MECHANISM
17.NS	10997311	SAFETY CABLE QUICK RELEASE MECHANISM



See also Section 16 and the *Utilimaster Quick Reference Parts Guide*.

17—Rear Doors Swing



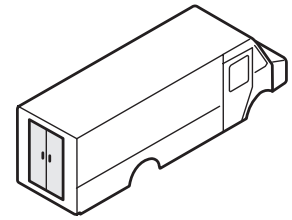
Rear Door, Swing

Utilimaster, 65528 State Road 19, P.O. Box 585, Wakarusa, IN 46573-0585, U.S.A.

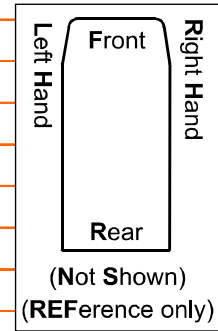
Email CustSvc@Utilimaster.com or Browse the web site www.utilimaster.com.

Call 800-237-7806 (or 574-862-3219) or Fax to 574-862-7637.

(See the Decoding Part Numbers section for Item, Part, and Description codes.)

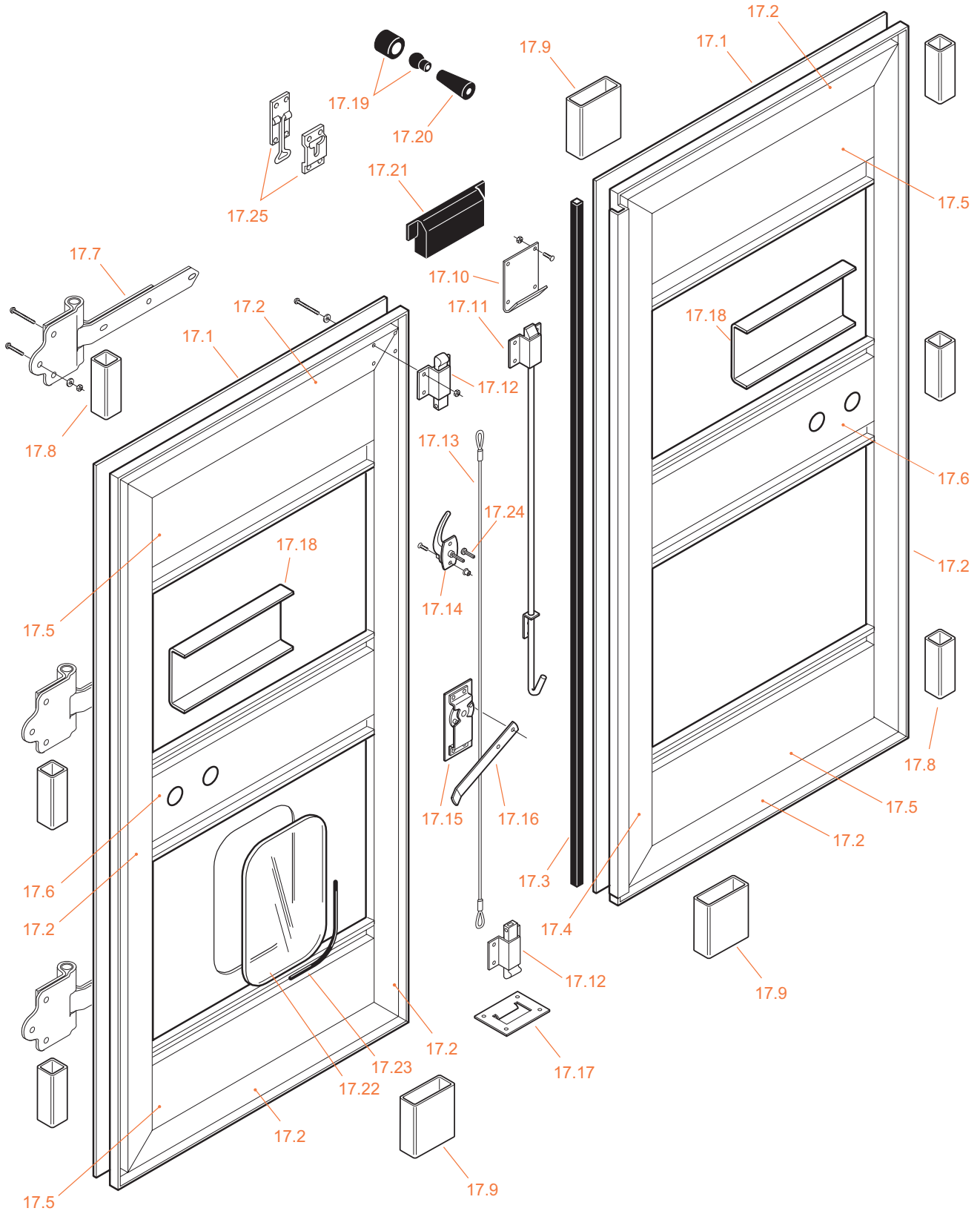


Item	Part Number	Description
17.0		REAR SWING DOORS
17.1.1 LH	06502866-CHART	METAL, REAR SWING DOOR LH (SPECIFY SIZE)
17.1.1 RH	06502867-CHART	METAL, REAR SWING DOOR RH (SPECIFY SIZE)
17.1.2 LH	06502966-CHART	METAL, RR DR LH SW G W/ 1 WDW (SPECIFY SIZE)
17.1.2 RH	06502967-CHART	METAL, RR DR RH SW G W/ 1WDW (SPECIFY SIZE)
17.1.3 LH	06502968-CHART	METAL, RR DR LH SW G W/ 2WDW (SPECIFY SIZE)
17.1.3 RH	06502969-CHART	METAL, RR DR RH SW G W/ 2WDW (SPECIFY SIZE)
17.1.4 LH	BSNR	METAL, RR DR LH BFLD (SPECIFY SIZE)
17.1.4 RH	06502970-CHART	METAL, RR DR RH BFLD (SPECIFY SIZE)
17.1.5 LH	06502971-CHART	MTL RRDR LH BFLD W/ 1WDW (SPECIFY SIZE)
17.1.5 RH	06502972-CHART	MTL RRDR RH BFLD W/ 1WDW (SPECIFY SIZE)
17.1.6 LH	06502973-CHART	METAL, RRDR LH BFLD W/ 2WDW (SPECIFY SIZE)
17.1.6 RH	06502974-CHART	METAL, RRDR RH BFLD W/ 2WDW (SPECIFY SIZE)
17.2	06012400-Length	IA 7932 SIDE DR BE 06003897 (SPECIFY LENGTH)
17.3	05402183	SEAL "D" .375 x .625
17.4	06012490-Length	IA 7931 SIDE DR BE 06003896 (SPECIFY LENGTH)
17.5.1	06601630-CHART	STIFFNR UP LW DR SW G (SPECIFY SIZE)
17.5.2	06601718-CHART	STFNR UPR LWR BIFOLD (SPECIFY SIZE)
17.6.1	06601629-CHART	STIFFNR DR CNTR SW G (SPECIFY SIZE)
17.6.2	06601717-CHART	STFNR DR CNTR BIFOLD (SPECIFY SIZE)
17.7	BSNR	HINGE
17.8	06000125-00300	BACKER, HINGE 1" SQ TUBE IAH122 3.00
17.9	06000718-00300	BACKER, HARDWARE IAH1746 TUB 3.00 06000718
17.10.1	22818865	PLATE UPPER STRIKE W/ACCESS HOLE (Replaces 22101544)
17.10.2	22101973	PLATE UPPER STRIKE BIFOLD 3.00
17.11.1	08700596	BOLT OFFSET W/ 1/4" HOLE
17.11.2	08706093	ROD GUIDE ZINC
17.11.3	08610024	LATCH FINGER PULL W/ 3/2" ROD
17.11.4	08700004	ROD 36" W/ FINGER PULL
17.11.5	08700323	ROD KASON
17.11.6	08706102	ROD DEADBOLT 3/8 x 36"
17.11.7	08611088-CHART	ROD KASON DEADBOLT
17.12.1	08700336	CONTROL ASY TONGUE
17.12.2	BSNR	SLAM LOCK
17.13	BSNR	CABLE



Continued

17—Rear Doors Swing (continued)



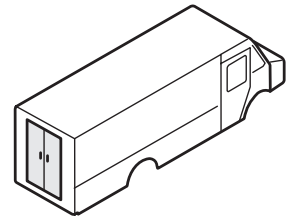
Rear Doors, Swing

Utilimaster, 65528 State Road 19, P.O. Box 585, Wakarusa, IN 46573-0585, U.S.A.

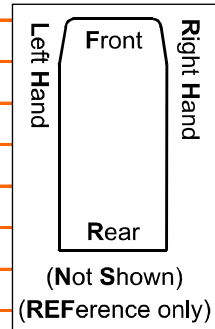
Email CustSvc@Utilimaster.com or Browse the web site www.utilimaster.com.

Call 800-237-7806 (or 574-862-3219) or Fax to 574-862-7637.

(See the Decoding Part Numbers section for Item, Part, and Description codes.)

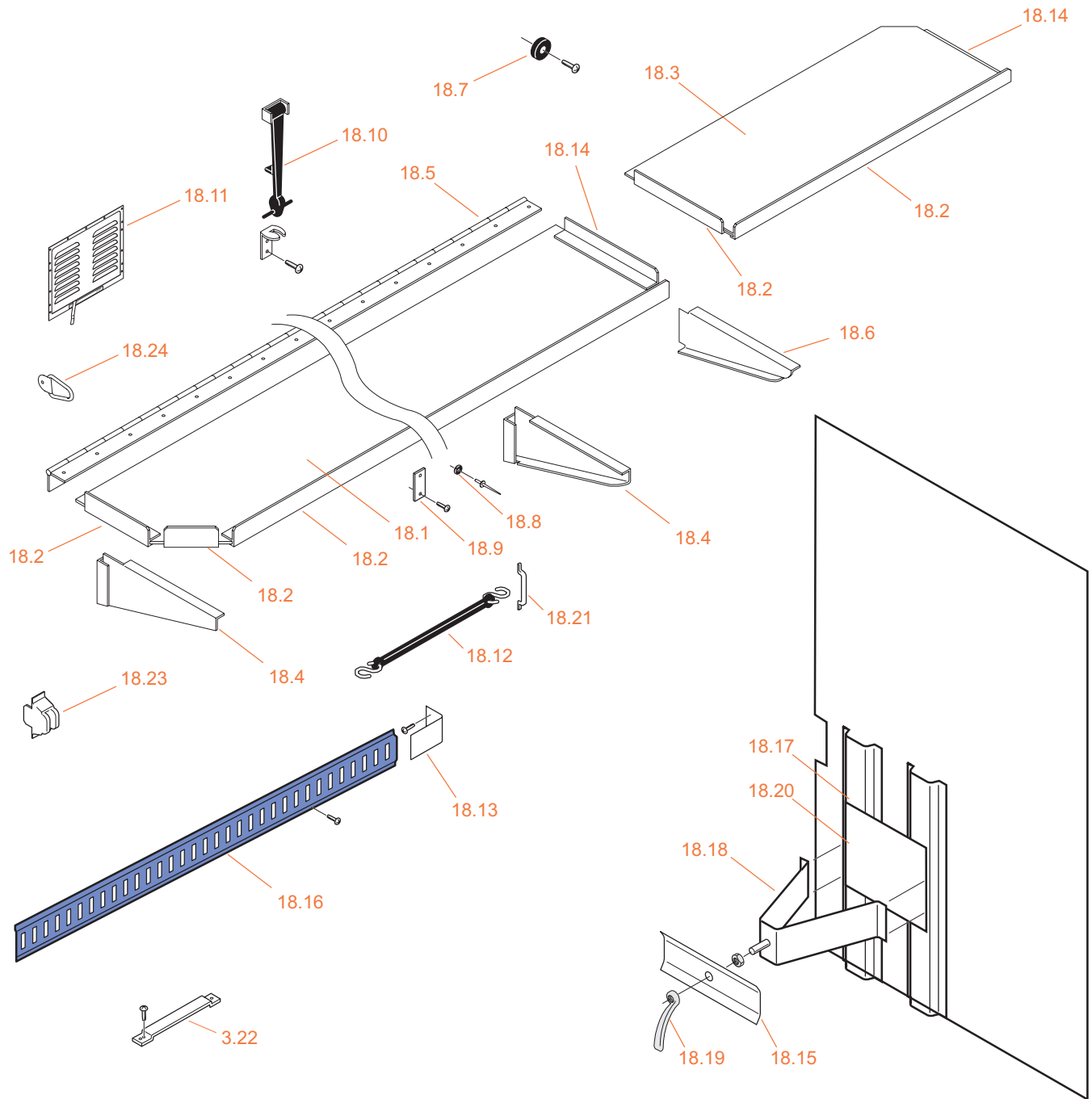


Item	Part Number	Description
17.14	BSNR	HANDLE, EXTERIOR
17.15	08780011	LATCH ASY SLAMLOCK KASON
17.16	08704374	HANDLE INSIDE
17.17	22101882	PLATE LWR STRIKER
17.18	06601705-Length	BACKER HINGE LATCH (SPECIFY LENGTH)
17.19	08611172	SOCKET AND PLUNGER
17.20	BSNR	PLUNGER EXTENTION
17.21	20510346	COV RR SWG DR LATCH ABS ALL
17.22	09080444	GLASS 1/4 x 17-5/8 x 11-5/8 Tmprd
17.23.1	05402073	WINDOW RUBBER 1/8
17.23.2	05402074	WINDOW RUBBER 3/32
17.24	22814940	SHAFT HANDLE WELDMENT
17.25	08703054	RETAINER T DOOR STAINLESS
17.NS	57231922-Chart	COVER MESH 12 x 18 WDO NARROW
17.Ref	57231632	DR ASY LH RR CHART
17.Ref	57231633	DR ASY RH RR CHART
17.Ref	55231061	RR SWG DR LATCH COV INSTL #30-36



18—Cargo Shelving Options

Fold-up



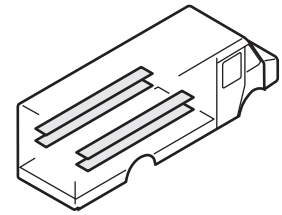
Cargo Shelving Options, Fold-up

Utilimaster, 65528 State Road 19, P.O. Box 585, Wakarusa, IN 46573-0585, U.S.A.

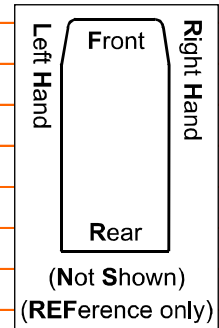
Email CustSvc@Utilimaster.com or Browse the web site www.utilimaster.com.

Call 800-237-7806 (or 574-862-3219) or Fax to 574-862-7637.

(See the Decoding Part Numbers section for Item, Part, and Description codes.)



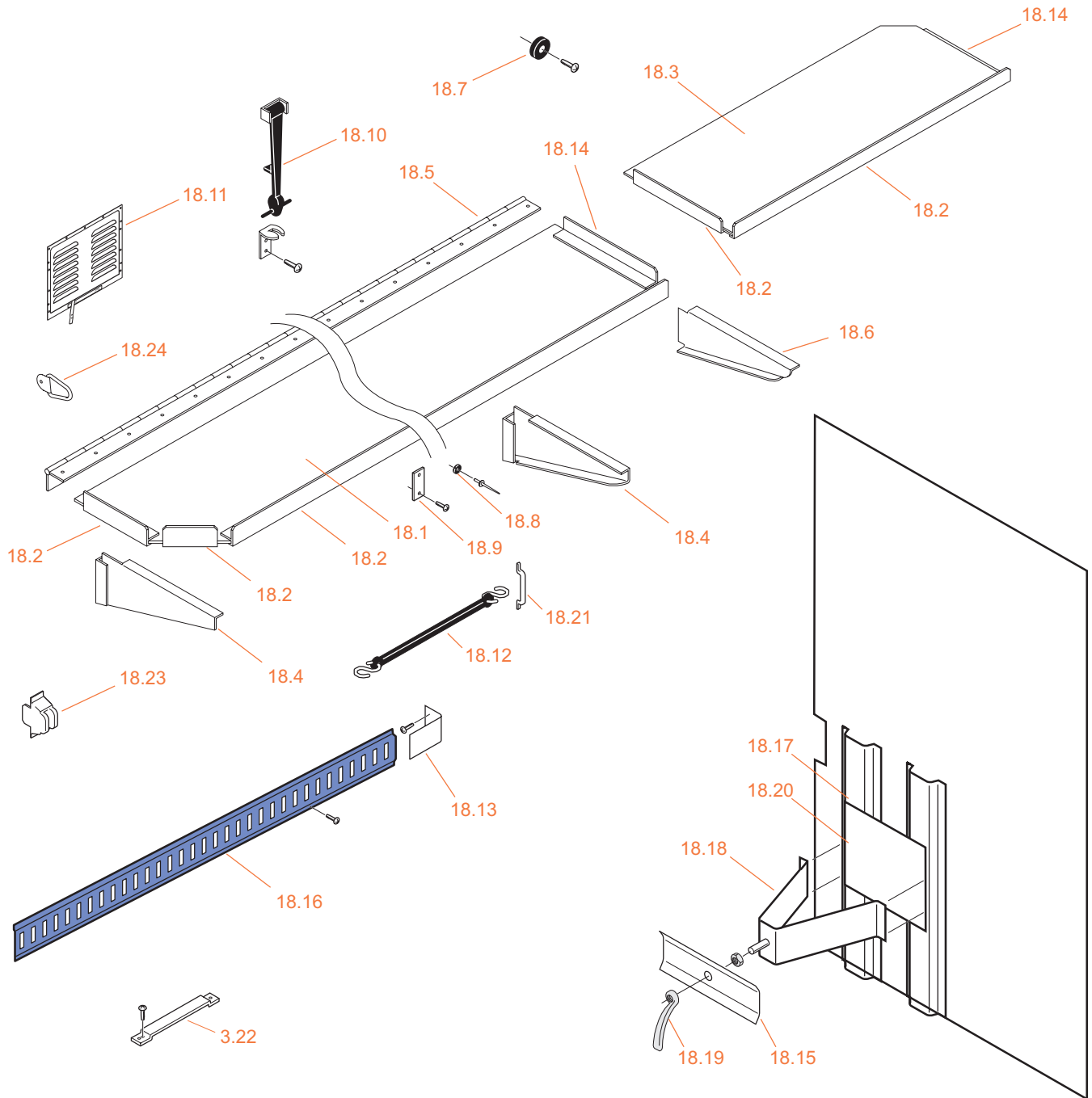
Item	Part Number	Description
18.0		INSTALL SHELF LH FOLDING
18.1	06920482-CHART	SHELF METAL 20" FOLDUP LH .100 (SPECIFY SIZE)
18.2	06914703-Length	SHELF EDGE RBE 06013053 (SPECIFY LENGTH)
18.3.1 RH	06920847	SHLF RH STAT DR PKT 17.06 x 39.19 .100 ALUM
18.3.2 RH	06914698	SHELF FIXED RH DR PCKT 20"
18.4.1 LH	06630773	GUSSET WELDMT LH 17.13
18.4.1 RH	06630763	GUSSET WELDMT RH 17.13
18.4.2 LH	06914669	GUSSET WLDMT LH 20" SHELF
18.4.2 RH	06914668	GUSSET WLDMT RH 20" SHELF
18.4.3 LH	06911250	GUSSET WLDMT LH 9.19"
18.4.3 RH	06911251	GUSSET WLDMT RH 9.19"
18.4.4 LH	06911496	GUSSET WLDMT RS 7x10.81
18.4.4 RH	06911486	GUSSET WLDMT CS 7x10.81
18.4.5 LH	06913095	GUSSET WLDMT LH STAT 17.13"
18.4.5 RH	06913094	GUSSET WLDMT RH STAT 17.13"
18.5	08610280-Length	PIANO HINGE STL .125 x 2 x 2 x (SPECIFY LENGTH)
18.6.1 LH	06914667	GUSSET LH DR PKT 20" SHELF
18.6.1 RH	06914666	GUSSET RH DR PKT 20" SHELF
18.6.2 RH	06914662	GUSSET RH DR PKT 24" SHELF
18.7	08210016	STOP RUBBER
18.8.0	13672282	DUAL LOCK FSTNR 1.12 RND
18.8.1	11400019	BLIND RIVET
18.9.0	20510269	PAD WEAR UHMW .25 x 1.5 x 3.50 HLS
18.9.1	11300249	10-24 x 1 WAFER TEK ZINC PH
18.10.1	08700114	LATCH FLEX DRAW
18.10.2	08610498	LATCH RUBBER "T" HANDLE
18.11.1	07200278	VENTILATOR ALUM 10 x 12
18.11.2	07200275	VENT ALUM LOUVER ONLY
18.11.3	03102154	DECAL BUTTERFLY VENT OPEN/CLOSED
18.12.1	08610265	STRAP RUBBER TARP 15"
18.12.2	08780104	STRAP RUBBER TARP 20"
18.12.3	11600020	HOOK "S"
18.13	06918173	BACKET E-TRACK MOUNTING .125
18.14	06002050-Length	IA 637 ANGLE 06002050 (SPECIFY LENGTH)
18.15	01902194	SPARE TIRE RETAINER DUAL 30-36



Continued

18—Cargo Shelving Options

Fold-up (continued)



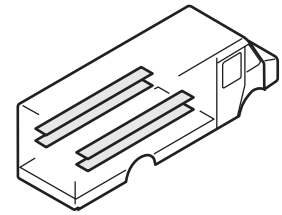
Cargo Shelving Options, Fold-up

Utilimaster, 65528 State Road 19, P.O. Box 585, Wakarusa, IN 46573-0585, U.S.A.

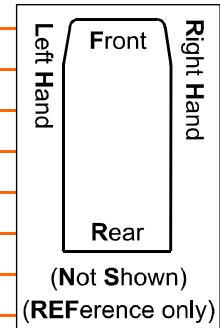
Email CustSvc@Utilimaster.com or Browse the web site www.utilimaster.com.

Call 800-237-7806 (or 574-862-3219) or Fax to 574-862-7637.

(See the Decoding Part Numbers section for Item, Part, and Description codes.)

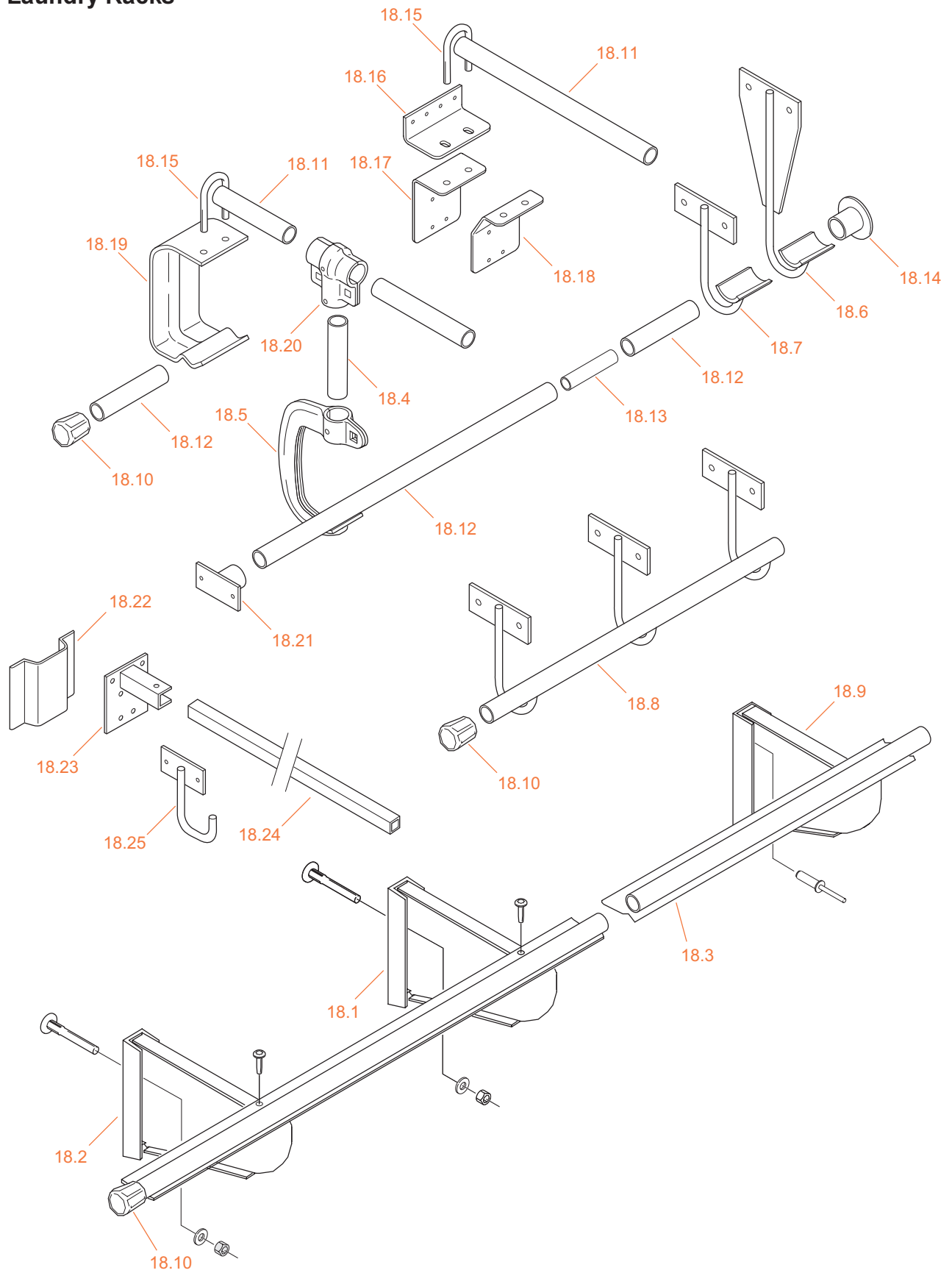


Item	Part Number	Description
18.16.1	08610506	E-TRACK NO HLS GALVANIZED 10'
18.16.2	08610547-19600	TRACK GALV "E" R-FORM 196.00
18.16.3	08610469-Length	TRACK HORIZ"A" (SPECIFY LENGTH) ALUM
18.16.4	08610924	E-TRACK STEEL 83.12
18.16.5	08706147	F-TRACK STL GLVNZD 10'
18.17	06920497	RUB RAIL W/RAD&HLS 28.00 06000142
18.18.1	01902114	BRACKET TIRE CARRIER ASSY DUAL
18.18.2	01902991	RETAINER SPARE TIRE 7.5"
18.19.1	11600880	NUT IRON HANDLE 1/2-13
18.19.2	11500311	NUT IRON HANDLE 3/8-16
18.20	01902555	ASSY SPARE TIRE MTG PLATE
18.21	08705820	FOOTMAN LOOP STEEL
18.22-18	22812242	STOP HAND CART 1.5 x 18
18.22-19	22816324	STOP HAND CART 1.5 x 19
18.23.1	06601715	BOX REAR SWITCH PLASTIC
18.23.2	06921178	BRKT CARGO LITE SWITCH ALUM
18.23.3	06601737	BRKT CARGO LITE SWITCH ALUM W/TAB
18.24	08708902	RING W/SPACER
18.NS	08610603-CHART	BAR E-TRACK LOAD (SPECIFY SIZE)
18.NS	12303707	TAPE VINYL 1" WHITE
18.NS	08610875-CHART	BAR F-TRACK SHORING LOAD
18.Ref	64236001	CARRIER TIRE INS DUAL RH 30-36
18.Ref	64236547	INSTL SPARE TIRE CARRIER
18.Ref	53234654	INSTALL LINER E-TRACK
18.Ref	53234543	INSTALL E-TRACK CHART
18.Ref	64236885	INSTALL OPEN/CLOSED DECAL
18.Ref	53233154	SHELF ASY 20" FOLDING LH 14'
18.Ref	53233153	SHELF ASY 20" FOLDING RH 14'
18.Ref	53234553	SHELF ASSY LH FLDG 19L
18.Ref	53234554	SHELF ASSY RH FLDG 19L
18.Ref	53234463	SHELF ASY LH BOT DR PCKT STAT
18.Ref	53234457	SHELF ASY LH DR PCKT STAT
18.Ref	53234458	SHELF ASY RH DR PCKT STAT



18—Cargo Shelving Options

Laundry Racks



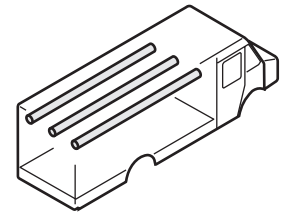
Cargo Shelving Options, Laundry Racks

Utilimaster, 65528 State Road 19, P.O. Box 585, Wakarusa, IN 46573-0585, U.S.A.

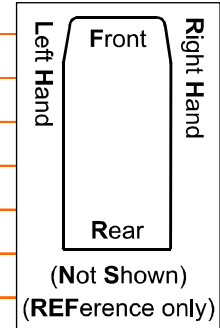
Email CustSvc@Utilimaster.com or Browse the web site www.utilimaster.com.

Call 800-237-7806 (or 574-862-3219) or Fax to 574-862-7637.

(See the Decoding Part Numbers section for Item, Part, and Description codes.)



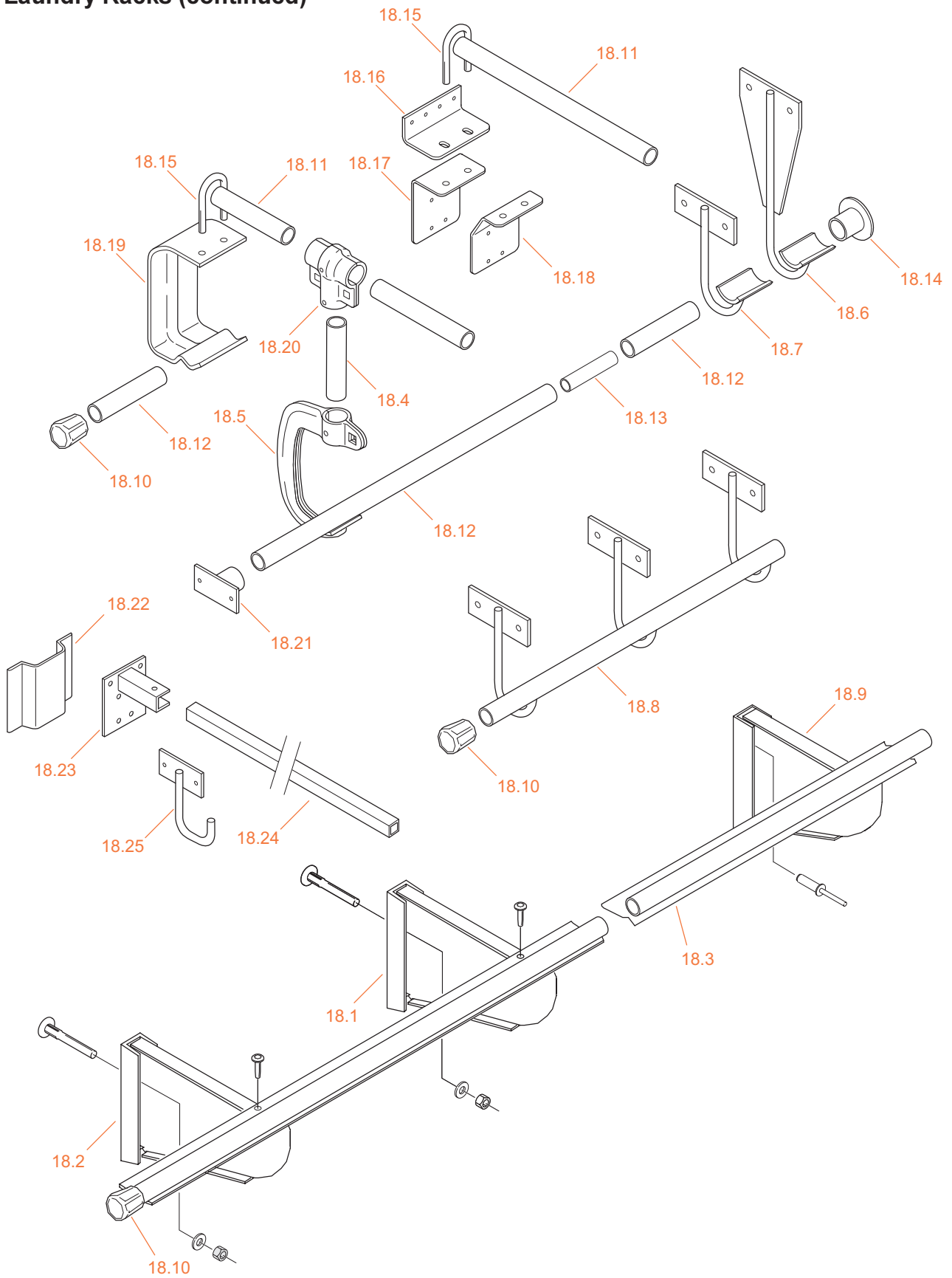
Item	Part Number	Description
18.0		LAUNDRY RACKS
18.1 LH	06916792	GUSSET WLDMT LH 8.51 (TO SIDEWALL)
18.1 RH	06916793	GUSSET WLDMT RH 8.51 (TO SIDEWALL)
18.2 LH	06911496	GUSSET WLDMT 7 x 10.81 (TO DOOR POCKET)
18.2 RH	06911486	GUSSET WLDMT 7 x 10.81 (TO DOOR POCKET)
18.3	22813942	RACK WLDMT LAUNDRY (SPECIFY LENGTH)
18.4	19901266	TUBING BRIGHT ZINC 1.05 OD (SPECIFY LENGTH)
18.5	08610916	HANGER DROP LAUNDRY BAR
18.6 LH	22814951	**WELDMENT J HOOK LH 10.62
18.6 RH	22814952	**WELDMENT J HOOK RH 10.62
18.7 LH	22814943	**WELDMENT J HOOK LH 5.13
18.7 RH	22814949	**WELDMENT J HOOK RH 5.13
18.8 LH	21310734-18500	**RACK LAUNDRY WELDMT LH 185"
18.8 RH	21310733-18500	**RACK LAUNDRY WELDMT RH 185"
18.9 LH	06911250	GUSSET WLDMT LH 9.19" (TO DOOR POCKET STIFFENER)
18.9 RH	06911251	GUSSET WLDMT RH 9.19" (TO DOOR POCKET STIFFENER)
18.10	08700573	TIP BUMPER (L/PIPE)
18.11	19901268-Length	TUBING BRIGHT ZINC 1.66 OD (SPECIFY LENGTH)
18.12	19901267-Length	TUBING BRIGHT ZINC 1.31 OD (SPECIFY LENGTH)
18.13	19901272	INSERT 1.31 O.D. TUBING
18.14	22815093	STOP WLDMT END LAUNDRY PIPE
18.15.1	08611019	BOLT-U .31 x 1.75 x 2.25
18.15.2	11000805	NUT HEX 5/16-18 ZINC
18.15.3	11000076	NUT ACORN 5/16-18
18.16	06921869	BRACKET CROSS BAR UPPER
18.17	06921870	BRACKET CROSS BAR LOWER
18.18	06921871	BRACKET CROSS BAR
18.19	08610918	HANGER LAUNDRY BAR
18.20	08610917	CLAMP DROP LAUNDRY BAR (2) PARTS
18.21	22815514	BRKT WLDMT LAUNDRY PIPE
18.22	06000142-Length	AE RUBRL W/RAD IA 6964 W 14875
18.23	22813638	BRKT WLDMT SURGE BAR CRNR



Continued

18—Cargo Shelving Options

Laundry Racks (continued)



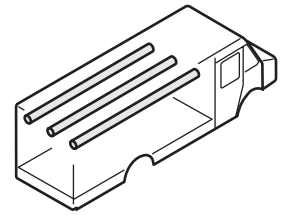
Cargo Shelving Options, Laundry Racks

Utilimaster, 65528 State Road 19, P.O. Box 585, Wakarusa, IN 46573-0585, U.S.A.

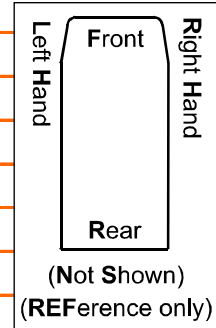
Email CustSvc@Utilimaster.com or Browse the web site www.utilimaster.com.

Call 800-237-7806 (or 574-862-3219) or Fax to 574-862-7637.

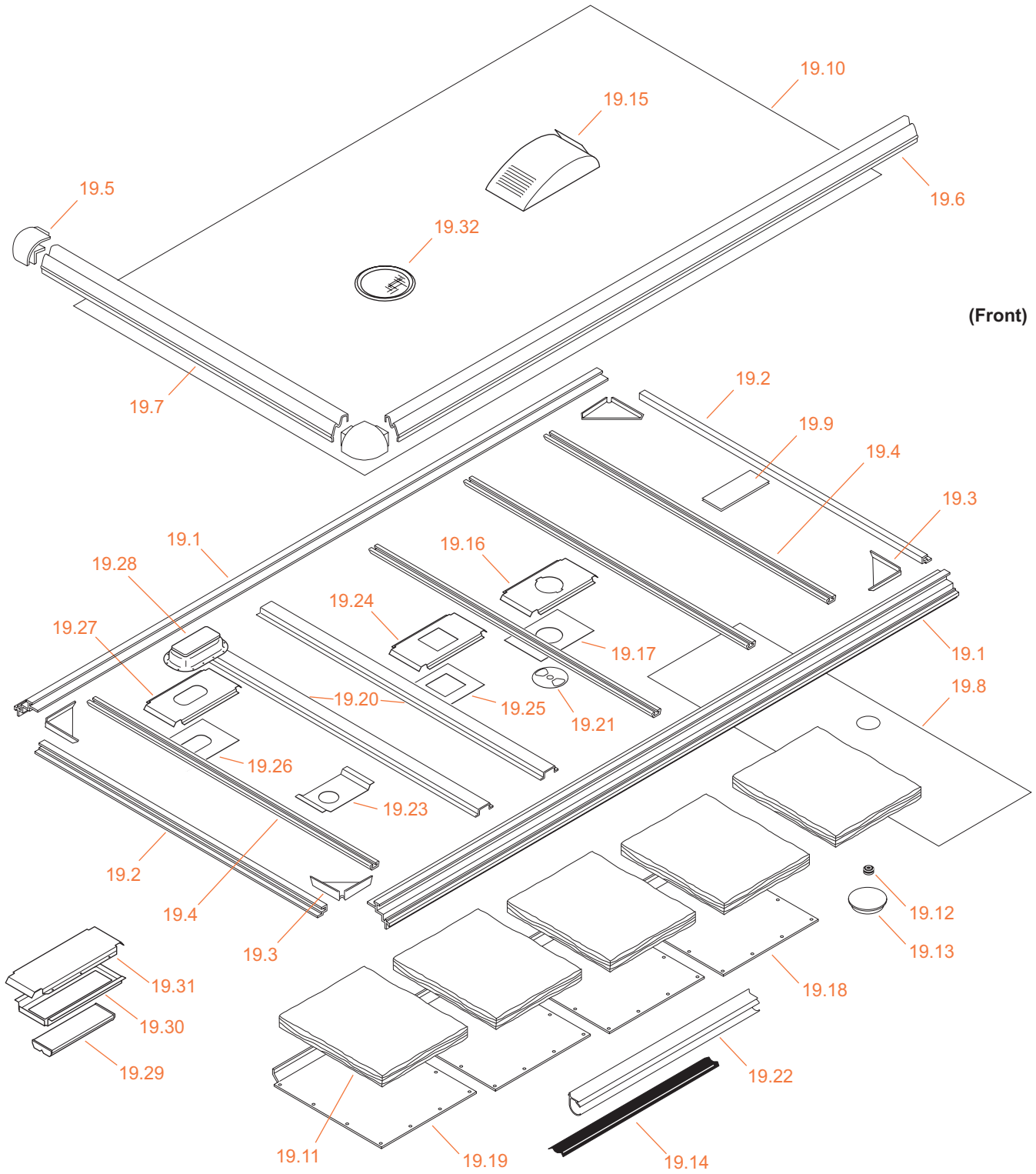
(See the Decoding Part Numbers section for Item, Part, and Description codes.)



Item	Part Number	Description
18.24	22200639-Length	TUBE 11GA x 1.5 x 1.5 x PAINTED (Specify Length)
18.25 LH	22813074	J HOOK WLDMT LH 4.75"
18.25 RH	22813073	J HOOK WLDMT RH 4.75"
18.NS	06003909-04800	STUD FILLER FOR IA6964 IA8122
18.NS	19104239-Length	PIPE GALV RND 1"ID SCH40
18.Ref	53234635	RACK INSTL LAUNDRY SWING DR
18.Ref	53234636	RACK INSTL LAUNDRY ROLL UP DR
18.Ref	53233464	INST L/MNT LAUNDRY RACK 16
18.Ref	53233465	RACK PIPE LOW-MNT INST DOM LIN
18.Ref	19901273	INSERT 1.31 O.D. TUBING INSTL



19—Roof Standard



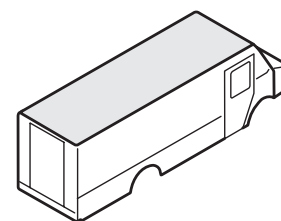
Roof, Standard

Utilimaster, 65528 State Road 19, P.O. Box 585, Wakarusa, IN 46573-0585, U.S.A.

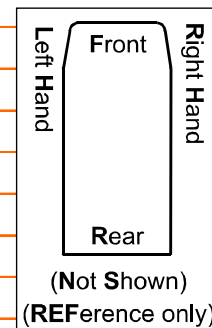
Email CustSvc@Utilimaster.com or Browse the web site www.utilimaster.com.

Call 800-237-7806 (or 574-862-3219) or Fax to 574-862-7637.

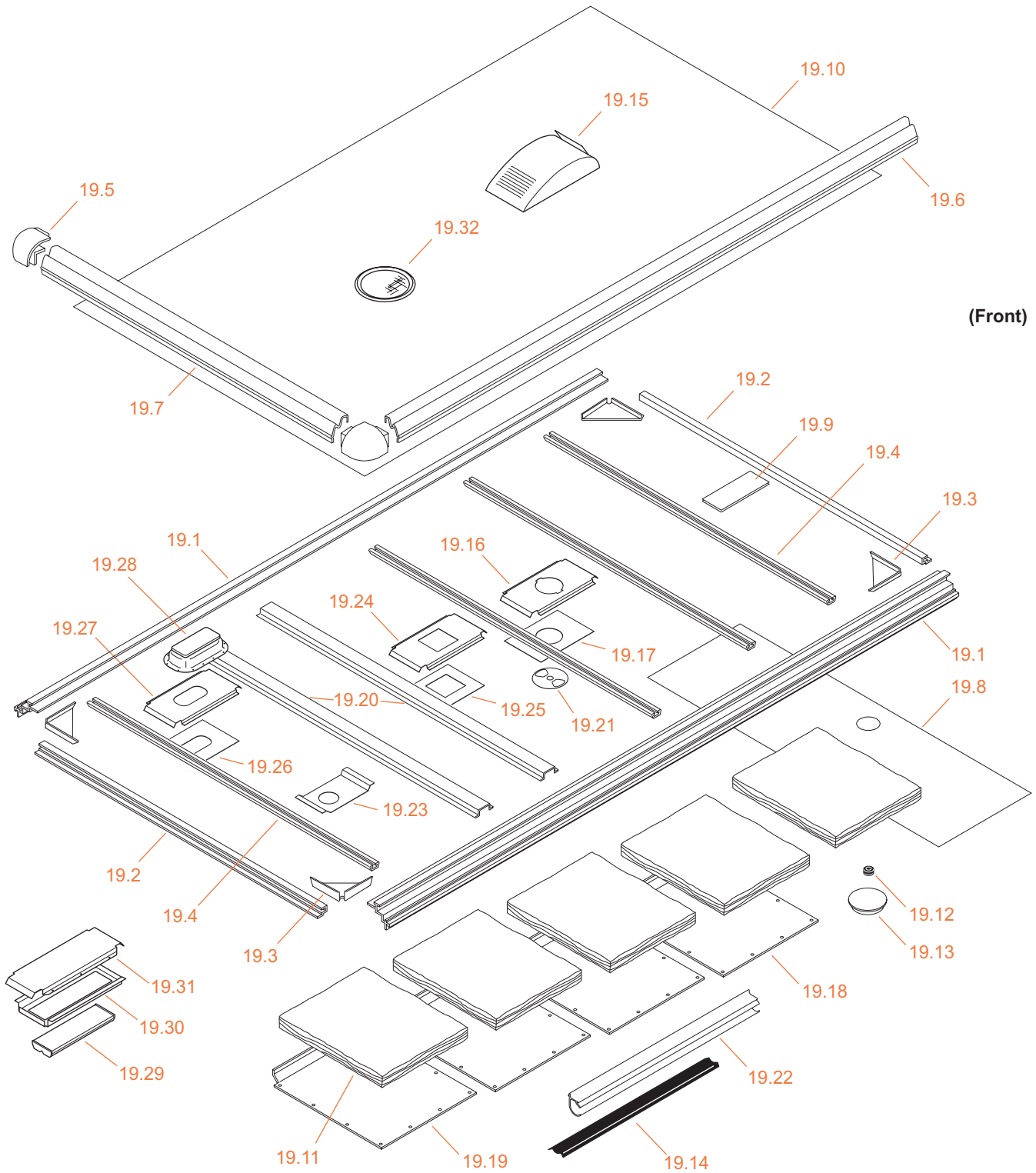
(See the Decoding Part Numbers section for Item, Part, and Description codes.)



Item	Part Number	Description
19.0		ROOF ASSEMBLY
19.1	06003911-Length	IA8160 ROOF EDGE (SPECIFY LENGTH)
19.2	06003866-Length	IA7448 RF END (SPECIFY LENGTH)
19.3	06601460	GUSSET ROOF 7.69 x 8
19.4	22150695-Length	ROOF BOW ANTI-SNAG (SPECIFY LENGTH)
19.5 LH	06850012	CASTING RF CAP REAR LH
19.5 RH	06850011	CASTING RF CAP REAR RH
19.6.0	06000764-Length	IA9101 RFCAP (SPECIFY LENGTH)
19.6.1	11600519-11AHP	RIVET ENCAP AD66H W/PLASTISOL
19.7	06003875-Length	IA7474 ROOF CAP (SPECIFY LENGTH)
19.8	06601648-Width	HEADLINER FRONT (SPECIFY WIDTH)
19.9.1	06913673	BACKER CARGO LIGHT 10 x 25 (See Chart)
19.9.2	06924500	BACKER CARGO LAMP .080 x 10 x 25 (See Chart)
19.10.1	BSNR	ROOF METAL
19.10.2	06400135	COIL 032 x 74.88" W .452#SF
19.10.3	06400134	COIL 032 x 82.88" W .452#SF
19.10.4	06400122	COIL 032 x 89.88" W .452#SF
19.10.5	01901065	TRANSLUCENT .060 x 96 x COIL FW
19.10.6	01902076	TRANSLUCENT .060 x 74.88
19.10.7	11400600	RIVET AVEX 3/16 x 3/8
19.11	20510275	INSUL F/GLASS 1" x 21" x 100' 3/PLY
19.12	Part of 19.13	GROMMET
19.13.1	15202126	LIGHT KD12V CARGO
19.13.2	16100053	LIGHT DOME KD LAMP
19.13.3	15202111	LIGHT CLEAR
19.13.4	16512557	LIGHT DOME ALUMINUM
19.14	05302195	INSERT VINYL BLACK 3/4"
19.15.1	07206132	VENT NON POWER
19.15.2	07206133	VENT 200CFM
19.16.1	06917078	BACKER VENT ROOF EVANS (See Chart)
19.16.2	06917072	BACKER VENT POLAR STATIC ROOF (See Chart)
19.16.3	06917070	BACKER VENT EVANS ROOF 200CFM
19.16.4	06918825	BACKER VENT EVANS RF OFFSET
19.16.5	06917188	BACKER EVANS ROOF VENT 6.56
19.16.6	06924859	BACKER EVANS 200CFM ROOF VENT 8" CTR
19.17.1	06917079	COVER VENT ROOF EVANS (See Chart)
19.17.2	06917073	COVER VENT POLAR STATIC ROOF (See Chart)



19—Roof Standard (continued)



(Front)

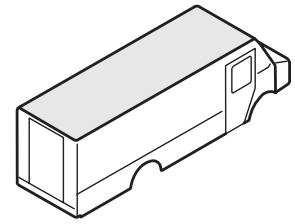
Roof, Standard

Utilimaster, 65528 State Road 19, P.O. Box 585, Wakarusa, IN 46573-0585, U.S.A.

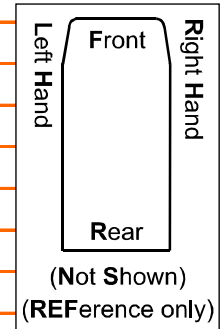
Email CustSvc@Utilimaster.com or Browse the web site www.utilimaster.com.

Call 800-237-7806 (or 574-862-3219) or Fax to 574-862-7637.

(See the Decoding Part Numbers section for Item, Part, and Description codes.)



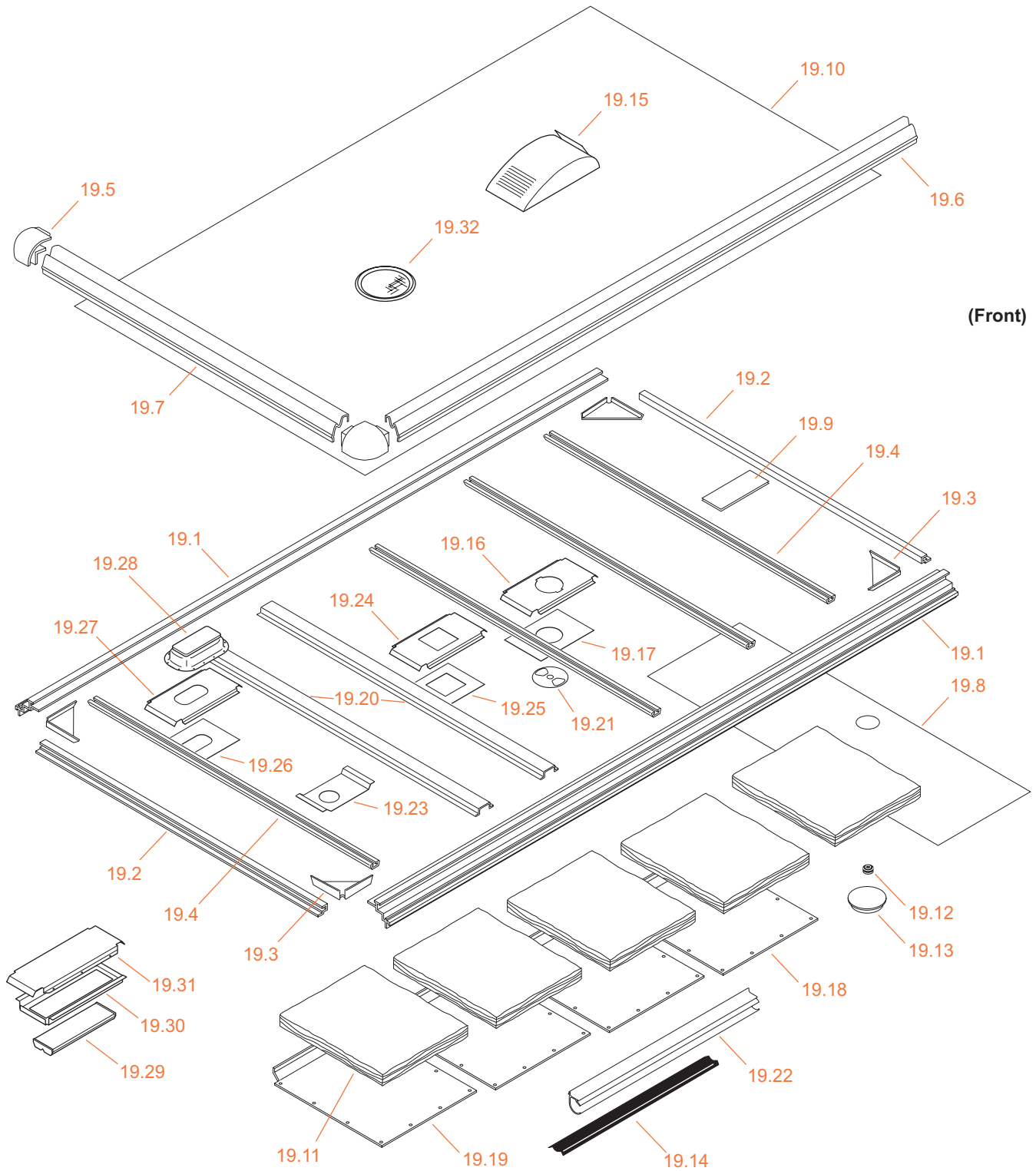
Item	Part Number	Description
19.18	06601778-Width	ROOF LINER W/SKYLITE (SPECIFY WIDTH)
19.19.1	06917113-CHART	LINER LH END 6"SKYLITE
19.19.2	06917112-CHART	LINER RH END 6"SKYLITE
19.19.3	06917110-CHART	LINER RH END 24"SKYLITE 78.5
19.19.4	06917116-CHART	LINER RH END 24"SKYLITE 86.5
19.19.5	06917117-CHART	LINER RH END 24"SKYLITE 93.5
19.19.6	06917118-CHART	LINER LH END 24"SKYLITE 86.5
19.19.7	06917119-CHART	LINER LH END 24"SKYLITE 93.5
19.19.8	06917125-CHART	LINER MID 6"SKYLITE
19.20	22150700-Width	ROOF BOW W/ROOF A/C (SPECIFY WIDTH)
19.21	Part of Item 19.15	GARNISH FOR ROOF VENT
19.22	20510691-14000	TRACK ROOF RAIL CONDUIT 140.00
19.23.1	06916991	PLATE 4-1/2" RECESSED LIGHT
19.23.2	06923531	PLATE 4-1/2" RECESSED LIGHT OFFSET
19.24	06917077	COVER VENT ROOF 14 x 14 #30-36
19.25	06917076	BACKER VENT ROOF 14 x 14 #30-36
19.26	06917075	COVER VENT ROOF SALEM #30-36
19.27	06917074	BACKER VENT ROOF SALEM #30-36
19.28	07100170	VENT SALEM ROOF
19.29.1	16512941	LIGHT 18" FLUORESCENT RECESSED
19.29.2	16511844	LIGHT 18" FLUORESCENT 12V
19.29.3	16512815	LIGHT 18" FLUORESCENT PRTD
19.30	06922211	COVER RECESSED LIGHT FIXTURE
19.31	06922210	BACKER RECESSED LIGHT FIXTURE
19.32	07203005	SKYLIGHT 12" DIA



Continued

19—Roof

Standard (continued)



(Front)

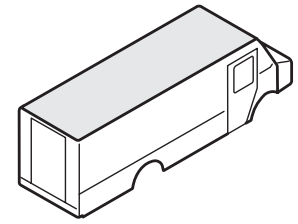
Roof, Standard

Utilimaster, 65528 State Road 19, P.O. Box 585, Wakarusa, IN 46573-0585, U.S.A.

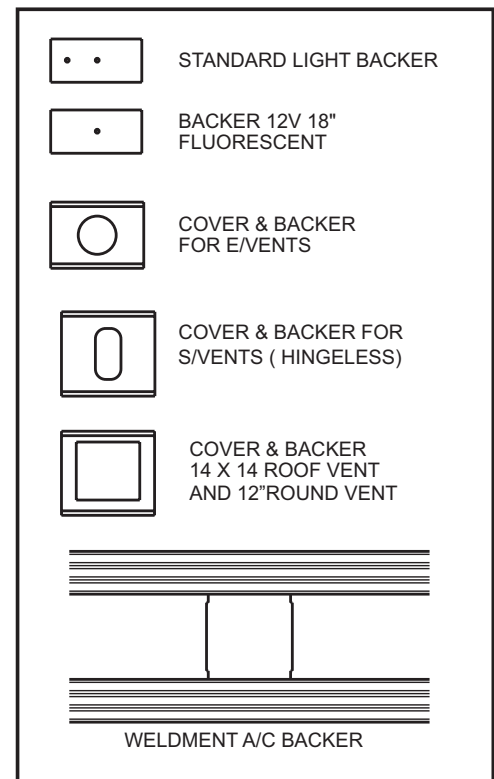
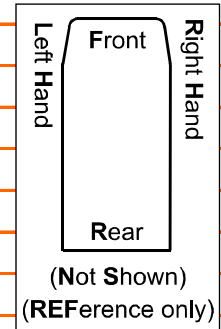
Email CustSvc@Utilimaster.com or Browse the web site www.utilimaster.com.

Call 800-237-7806 (or 574-862-3219) or Fax to 574-862-7637.

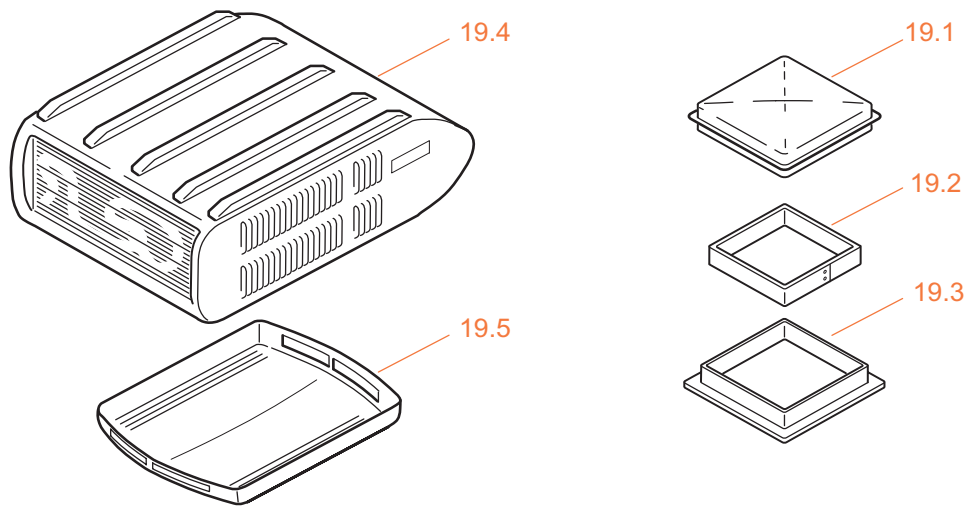
(See the Decoding Part Numbers section for Item, Part, and Description codes.)



Item	Part Number	Description
19.NS	01900680	SUN PATCH REPAIR KIT
19.NS	12300550	SEALANT, SELF LEVELING
19.NS	12400712	SIKAFLEX ALUM 11FLOZ
19.NS	12605927	ADHESIVE H STR TAPE .015
19.NS	12605933	TAPE ADHESIVE 1/2"
19.NS	12605905	TAPE BUTYL 1/8 x 1-1/4 30' ROLL
19.NS	12606022	TAPE BUTYL 3/16 x 1 25' ROLL
19.NS	12605928	ADHESIVE URETHANE SEALANT ALUM
19.NS	12300548	SEALANT ADHESIVE WHITE
19.NS	07200045	VENT ROOF NON POWER POLAR
19.NS	07600188	GRNSH VENT 1-1/2 WHI VA0445-17 (14 x 14 and 12" Round)
19.Ref	56232036	INSTL EVANS NON-PWR VENT
19.Ref	56232064	INSTALL HEADLINER FRT
19.Ref	56232022	ROOF ASY INSTALL
19.Ref	56232009	INSTL RAD CAP TO ROOF ASSY
19.Ref	53234211	INSTL ASY SIDE SKIN TO ROOF RL



19—Roof Options



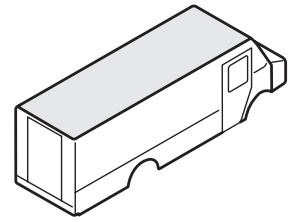
Roof, Options

Utilimaster, 65528 State Road 19, P.O. Box 585, Wakarusa, IN 46573-0585, U.S.A.

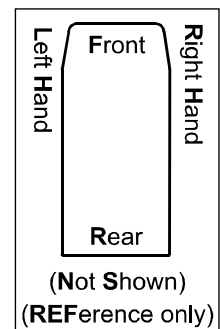
Email CustSvc@Utilimaster.com or Browse the web site www.utilimaster.com.

Call 800-237-7806 (or 574-862-3219) or Fax to 574-862-7637.

(See the Decoding Part Numbers section for Item, Part, and Description codes.)

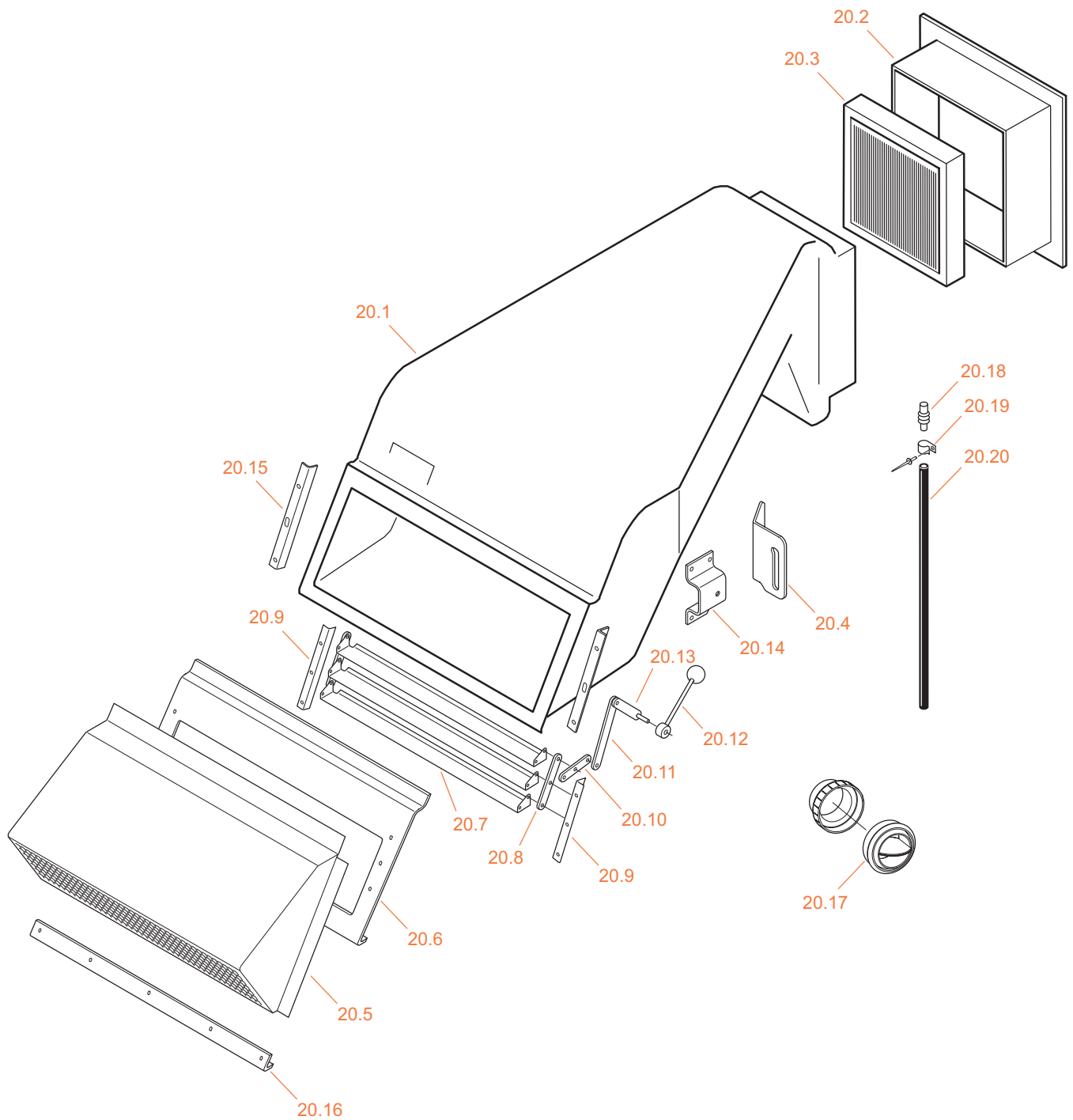


Item	Part Number	Description
19.0		ROOF OPTIONS
19.1.1	07200167	VENT RF 14 x 14 12V PWR W/WH CV
19.1.2	07200166	VENT RF MAN W/WH CV
19.2.1	06919716	GUARD SPLASH ROOF VENT
19.2.2	56232026	ROOF VENT SPLASH GUARD ASSY
19.3	06920458	GARNISH WLDMT VENT 1-1/4X1-1/4 (SKYLIGHT 12" ROUND WO/COVER)
19.4	17000750	A/C 13.5 ROTARY POLAR WH
19.5	17000853	SHROUD W/ HEAT STRIP
19.Ref	64236222	A/C ROOF BACKER INSTL 56231818



20—Positive Pressure System

Manual



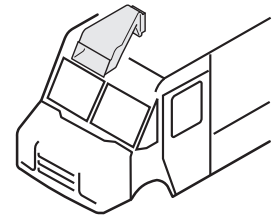
Positive Pressure System, Manual

Utilimaster, 65528 State Road 19, P.O. Box 585, Wakarusa, IN 46573-0585, U.S.A.

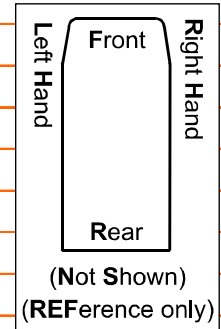
Email CustSvc@Utilimaster.com or Browse the web site www.utilimaster.com.

Call 800-237-7806 (or 574-862-3219) or Fax to 574-862-7637.

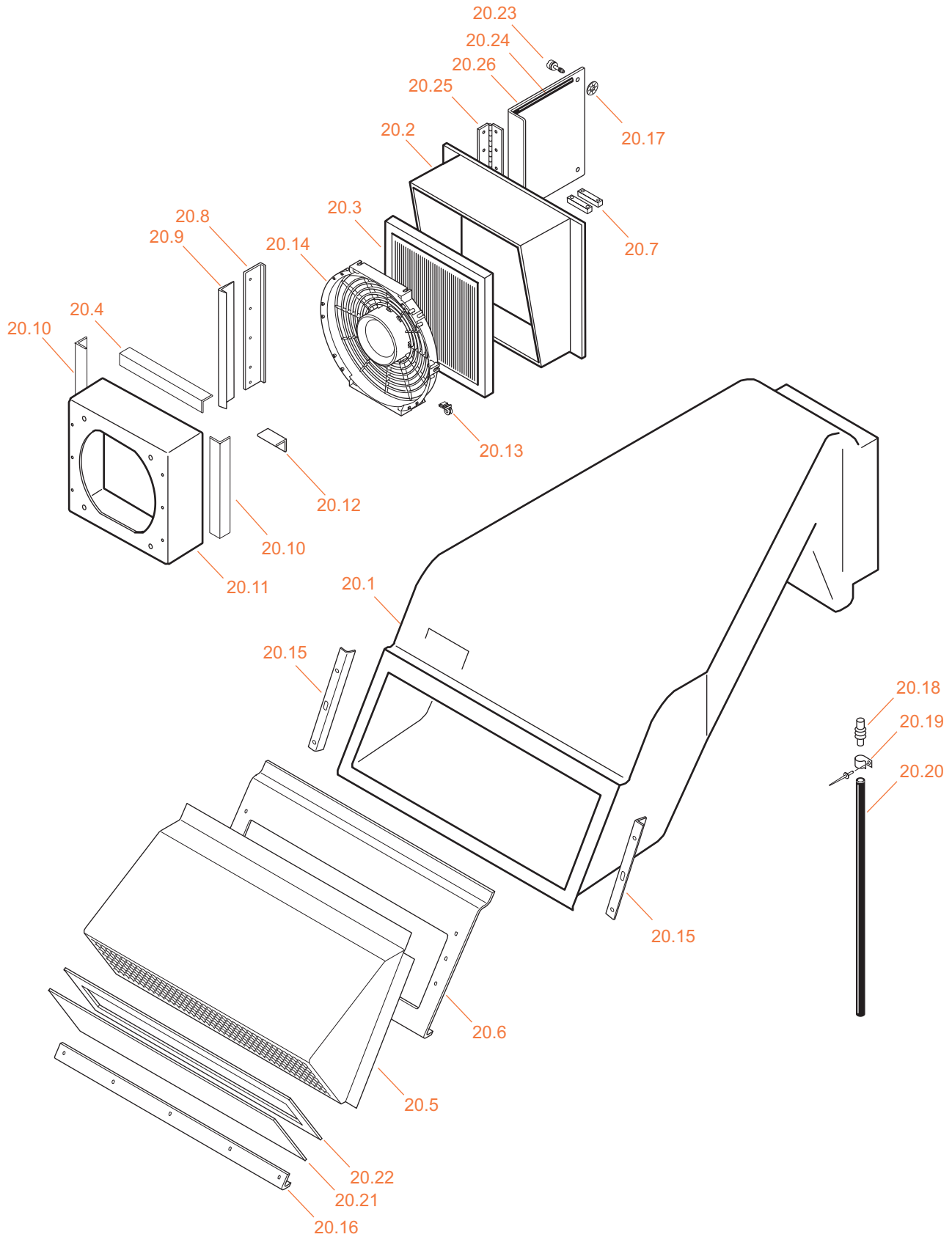
(See the Decoding Part Numbers section for Item, Part, and Description codes.)



Item	Part Number	Description
20.0	64236594	INSTL DUCT RH POS PRESS
20.1	20510556	WELDMENT POS PRESS DUCT SONIC
20.2	20510553	COLLAR POS PRESS BLKHD MNTG
20.3	08610641	FILTER AIR POS PRESSURE
20.4	06920208	BRKT POS PRESS DETENT-PLASTIC
20.5	06919144	WLDMT POS PRESS INTAKE SCOOP
20.6	06919137	DUCT TOP FRONT POS PRESS RH
20.7	06918854	LOUVER VENT POS PRESS
20.8	22814977	LINKAGE POS PRESS CONNECTOR
20.9 LH	06918513	BRKT LH POS PRESS LOUVER SUPT
20.9 RH	06918514	BRKT RH POS PRESS LOUVER SUPT
20.10	22814978	LINKAGE POS PRESS PIVOT
20.11	22814979	LINKAGE POS PRESS CONTROLLING
20.12	64236583	ASY POS PRES HAND ACTUATOR LEVER
20.13	22815085	ASSY PIVOT ROD/LINKGE POS PRES
20.14	06920027	BRKT POS PRESS LEVER SUPPORT
20.15	06919419	BRACE SUPPORT SIDES POS PRESS
20.16	06919420	BRACE SUPPORT LOWER POS PRESS
20.17	17990611	LOUVER (2-PIECE)
20.18	08610697	DRAIN POS PRESS
20.19	08706376	J-CLAMP 1/2" .203 HOLE
20.20	18504607	HOSE DRAIN 1/2" ID
20.NS	03101903	DECAL POS PRESS INSTRUCTIONS
20.NS	03101844	DECAL POS PRESS "OPEN"/"CLOSE"
20.NS	11600622	WASHER NYLON .50
20.NS	11600623	CLIP RETAINING .25
20.NS	11103030	PIN COTTER 3/32 X 1" ZINC
20.NS	11600618	SPACER HAND ACTUATOR LVR NYLON
20.Ref	20510562	ASSY, DUCT RH POS PRESSURE
20.Ref	64236581	ASSY, DAMPER POSITIVE PRESSURE



20—Positive Pressure System Electric



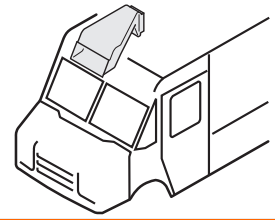
Positive Pressure System, Electric

Utilimaster, 65528 State Road 19, P.O. Box 585, Wakarusa, IN 46573-0585, U.S.A.

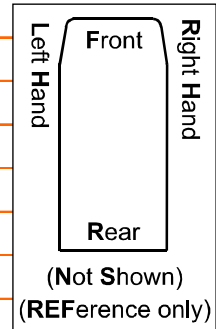
Email CustSvc@Utilimaster.com or Browse the web site www.utilimaster.com.

Call 800-237-7806 (or 574-862-3219) or Fax to 574-862-7637.

(See the Decoding Part Numbers section for Item, Part, and Description codes.)

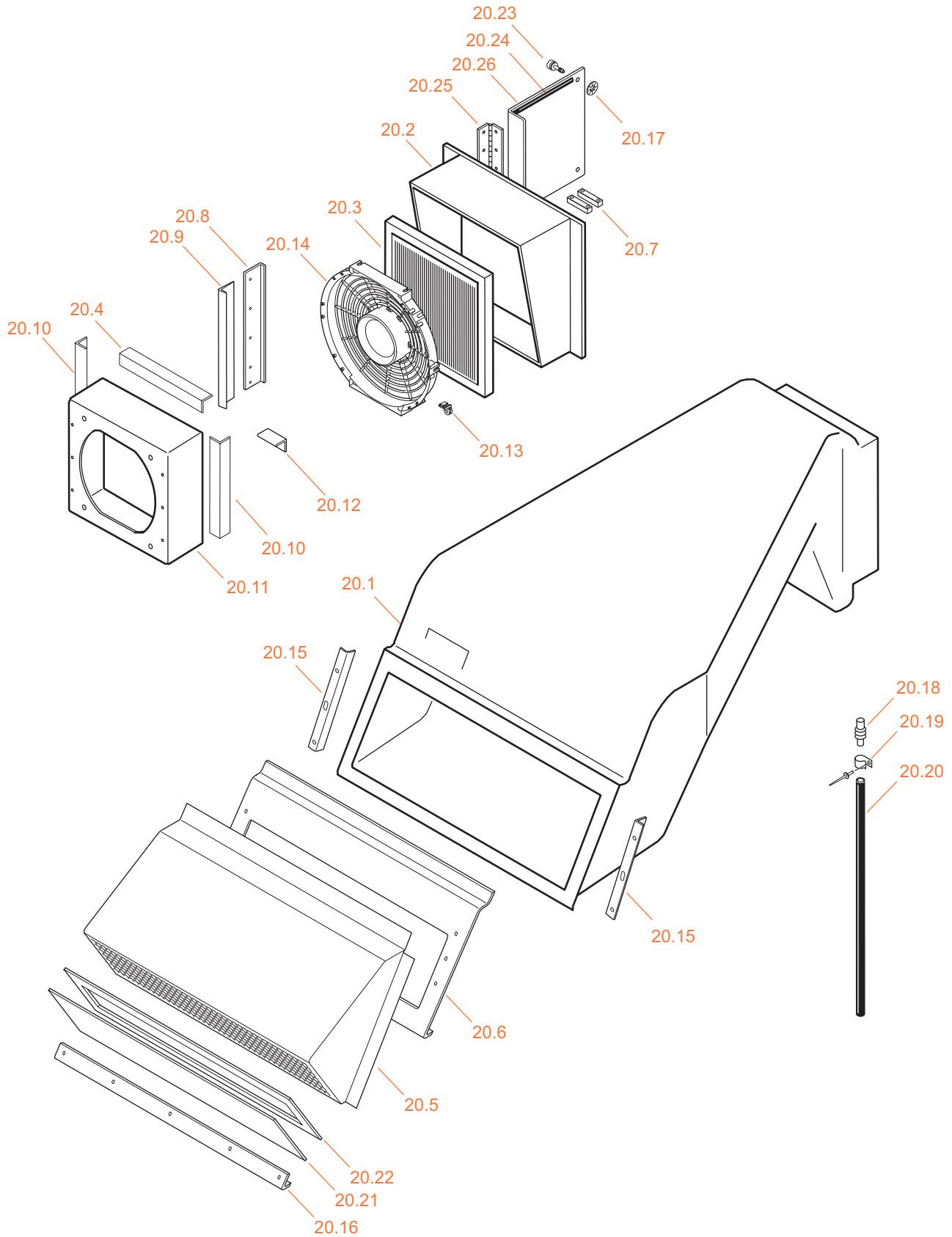


Item	Part Number	Description
20.0	64236594	INSTALL DUCT RH POS PRESS
20.1	20510556	WLDMT POS PRESS DUCT SONIC
20.2	64237041	ASSEMBLY ALUM COLLAR POS PRESSURE
20.3	08611114	FILTER POS PRESSURE 30 PPI FOAM
20.4	06001975-01438	IA 101 ANGLE 14.38 06001975
20.5	06919144	WLDMT POS PRESS INTAKE SCOOP
20.6	06919137	DUCT TOP FRONT POS PRESS RH
20.7.1	16513149	SWITCH PROXIMITY MAGNET
20.7.2	16513148	SWITCH PROXIMITY ACTUATOR N.C.
20.8	06925130	RETAINER FILTER LWR BACKSIDE
20.9	06002023-01175	IA 727 ANGLE 11.75 06002023
20.10	06923469	RETAINER FILTER UPPER
20.11	06925102	WELDMENT FAN MOUNTING PLATE
20.12	06001975-00200	IA 101 ANGLE 2.00 06001975
20.13	21310981	BRACKET FAN MOUNTING 90d
20.14	21310982	FAN 11" "S" BLADE
20.15	06919419	BRACE SUPPORT SIDES POS PRESS
20.16	06919420	BRACE SUPPORT LOWER POS PRESS
20.17	11600866	RETAINER CAPTIVE SCREW
20.18	08610697	DRAIN POS PRESS
20.19.0	08706376	J-CLAMP 1/2" .203 HOLE
20.19.1	11400600	RIVET A VEX 3/16 x 3/8
20.20	18504607	HOSE DRAIN 1/2" ID
20.21	06923291	COVER WINTER FRONT POS PRESSURE
20.22	05402091	SEAL (POS PRES/REAR DOOR)
20.23	11600864	SCRW CAPTIVE KNURLD HD
20.24	05402183	SEAL "D" .375 x .625
20.25	08611246	HINGE DOOR POSITIVE PRESSURE
20.26	06925103	DOOR POSITIVE PRESSURE SHUT-OFF



Continued

20—Positive Pressure System Electric



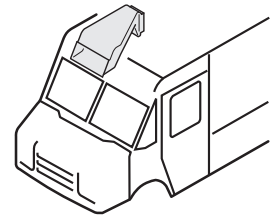
Positive Pressure System, Electric

Utilimaster, 65528 State Road 19, P.O. Box 585, Wakarusa, IN 46573-0585, U.S.A.

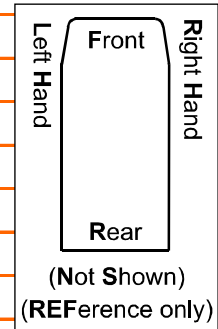
Email CustSvc@Utilimaster.com or Browse the web site www.utilimaster.com.

Call 800-237-7806 (or 574-862-3219) or Fax to 574-862-7637.

(See the Decoding Part Numbers section for Item, Part, and Description codes.)



Item	Part Number	Description
20.NS	03101903	DECAL POS PRESS INSTRUCTIONS
20.NS	23002123SK	WINTER FRONT POS PRESS SERVICE KIT
20.NS	20510750	ASSY DUCT RH POS PRESS W/O LOUVERS
20.NS	23002130SK	KIT POS PRESS COMPLETE SYSTEM UPFIT
20.NS	23002131SK	KIT POS PRESS FAN UPFIT W/O BH LT
20.NS	03102441	DECAL POS PRESS FAN INSTRUCTIONS
20.NS	13672287	VELCRO HOOK .5 88 BLK
20.NS	13672286	VELCRO LOOP .5 BLK (50 yd)
20.NS	12605918	TAPE FOAM .75Wx.50 THICK
20.NS	12300812	TAPE FOAM 3/16 x 1" x 50'
20.NS	11600865	RECEPT CLIPON U TYPE
20.NS	11600667	NUT WELL 1/4-20
20.NS	16500071	BUSHING SNAP 1/2"
20.NS	58231167	INSTALL WIRING POS PRESS W/FAN UPFIT
20.NS	03102472	POS PRESS SYS UPFIT KIT INSTRUCTIONS
20.NS	12605929	TAPE SURE-SEAL 1" x 2" 12' ROLL
20.NS	13202616	VELCRO 1" PILE
20.NS	13202615	VELCRO 1" HOOK
20.Ref	23002126SK	KIT POS PRESSURE FAN UPFIT
20.Ref	64237050	INSTL ALUM COLLAR & FAN
20.Ref	54232847	INSTALL WINTER FRONT POS PRESSURE
20.Ref	64236704	INSTALL POS PRESS DRAIN
20.Ref	64237178	ASSEMBLY POS PRESSURE SHUTOFF DOOR



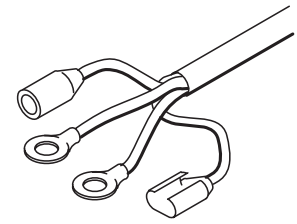
Electrical Harnesses, Standard

Utilimaster, 65528 State Road 19, P.O. Box 585, Wakarusa, IN 46573-0585, U.S.A.

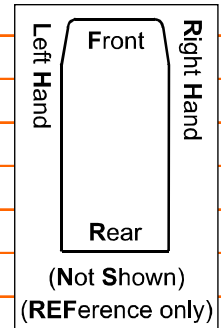
Email CustSvc@Utilimaster.com or Browse the web site www.utilimaster.com.

Call 800-237-7806 (or 574-862-3219) or Fax to 574-862-7637.

(See the Decoding Part Numbers section for Item, Part, and Description codes.)



Item	Part Number	Description
21.0		WIRING DIAGRAM FREIGHTLINER
21.1.1	16400487	HARNES "A" PILLAR STD #30-36
21.1.2	16512117	HARNES A-PILLAR RR LIGHTS/RF
21.2.1	16400485	HARNES FRT CLEARANCE A&B
21.2.2	16512062	HARNES CLRNS/CENTRAL GROUND
21.2.3	16512269	HARNES FRT CLR/CNTRL GRND/FAN
21.3.1	16400491	HARNES HDLMP/TURN UNIV HALOGR
21.3.2	16512038	HRNS HDLT/TRN JMPR RECT INCAND
21.3.3	16512228	HARNES HDLMP/TURN HALO RTM #31-36
21.3.4	16512229	HARNES HDLMP/TURN INCAND RTM #31-36
21.3.5	16513425	HARNES HEADLAMP LH DRL BF #33
21.4.1	16512220	HARNES HDLP/WPR JMPR 97 #31, 32, 33, 35
21.4.2	16513323	HARNES HEADLAMP/WPR (ISB4) #33
21.5.01	16400521	HARNES MAIN TAIL #30, 33, 36
21.5.02	16400522	HARNES TLIGHT JMPR UNIV A&B
21.5.03	16400524	HARNES EUROPEAN TAILLIGHT A&B
21.5.04	16400549	HARNES TLIGHT JMPR
21.5.05	16512040	HRNS T/LIGHT JMPR RH
21.5.06	16512041	HRNS T/LIGHT JMPR LH
21.5.07	16400523	HARNES TLIGHT JMPR UPR A&B
21.5.08	16512402	HARNES LED TAILLIGHTS STD
21.5.09	16512485	HARNES SPLIT TAIL KPLT 30-36
21.5.10	16512934	HARNES RH TAIL LAMP JUMPER
21.5.11	16512935	HARNES LH TAIL LAMP JUMPER
21.6.1	16512283	HARNES '98 GM POWER FEED #33
21.6.2	16512025	HARNES POWER FEED '96 GM #33
21.6.3	16513321	HARNES POWER FEED ECHO4 #33
21.7.1	16511898	HARNES HIGH MNT STP/TRN/TAIL
21.7.2	16512404	HARNES LED TAILLIGHTS 2-UP
21.8.1	16511966	HARN MAIN SGL SW BANK 30-36
21.8.2	16512282	HARNES MAIN 1998 30-36
21.8.3	16512839	HARNES MAIN ASSEMBLY



Continued

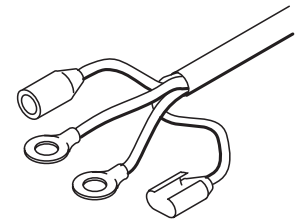
Electrical Harnesses, Standard

Utilimaster, 65528 State Road 19, P.O. Box 585, Wakarusa, IN 46573-0585, U.S.A.

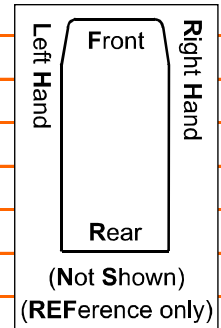
Email CustSvc@Utilimaster.com or Browse the web site www.utilimaster.com.

Call 800-237-7806 (or 574-862-3219) or Fax to 574-862-7637.

(See the Decoding Part Numbers section for Item, Part, and Description codes.)



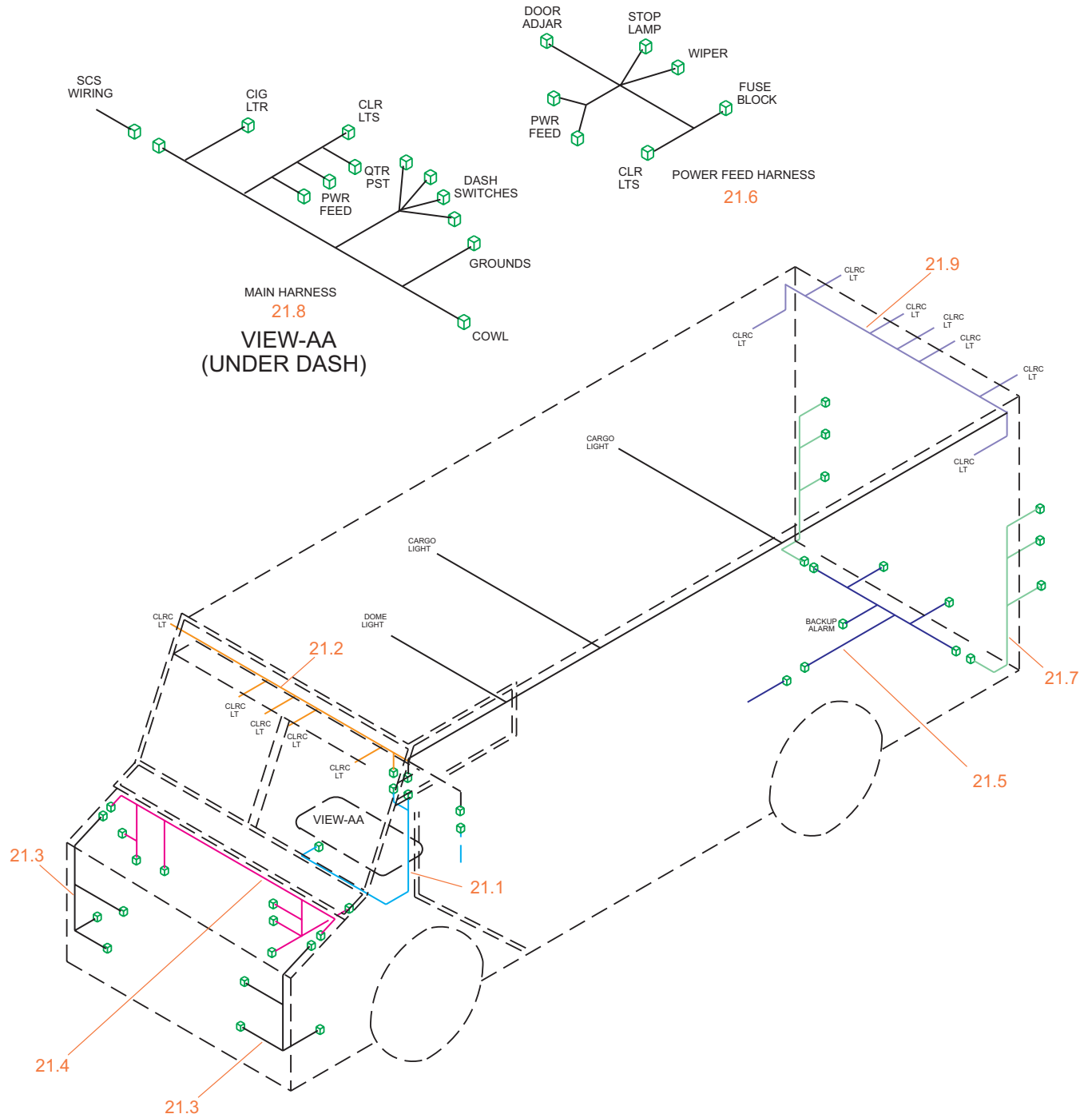
Item	Part Number	Description
21.9.1	16400486	HARNESS REAR CLEARANCE A&B
21.9.2	16512066	HARNESS RR CL LGT/CENTRAL GRD
21.9.3	16512126	HARNESS CL RR CNTRL GRD W/O SW
21.NS	16512057	** HARNESS STEREO
21.NS	21310104	ALARM BACK-UP
21.NS	16511968	BREAKER 15AMP SINGLE
21.NS	16511969	BREAKER 20AMP SINGLE
21.NS	16511980	BREAKER 20AMPGFI SINGLE
21.NS	16511986	BREAKER 30AMP MAIN
21.NS	16512971	BREAKER W/BRACKET
21.NS	16100038	BRKER PLUGIN 30A12V
21.NS	16512800-Length	CABLE JUMPSTART NEG
21.NS	16512799-Length	CABLE JUMPSTART POS
21.NS	16602350	CLAMP "P" 1/2" PLASTIC
21.NS	08707474	CLAMP 1/2" VINYL-COATED
21.NS	08707473	CLAMP 3/8" VINYL-COATED
21.NS	08610416	CLAMP J 1/2" .281
21.NS	16602351	CLAMP"P" 1/4" PLASTIC
21.NS	08610540	CLIP WIRE LOOM 13MM
21.NS	16510012	CONDUIT 1/2"BLUE NON METAL EMT
21.NS	16101119	FUSE 10 AMP
21.NS	16102934	BRKER PLUGIN 20A12V
21.NS	21103018	BUZZER UNIVERSAL .2A
21.NS	16510011	CONDUIT 3/4"BLUE NON METAL EMT
21.NS	16510009	CONDUIT PLASTIC 1/2"SLIT
21.NS	16511738	CONDUIT PLASTIC 1/4" SLIT
21.NS	16510019	CONDUIT PLASTIC 3/8" SLIT
21.NS	16510020	CONDUIT PLASTIC 5/8" SLIT
21.NS	16512724	FILTER NOISE 10AMP
21.NS	16100934	FLASHER H.D.
21.NS	16512167	FLASHER HAZ SOLID-STATE



Continued

21—Electrical Harnesses

Standard (continued)



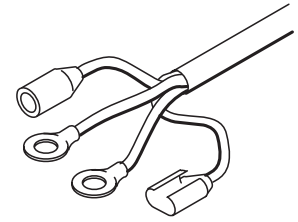
Electrical Harnesses, Standard

Utilimaster, 65528 State Road 19, P.O. Box 585, Wakarusa, IN 46573-0585, U.S.A.

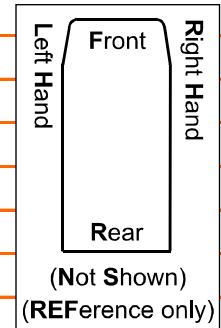
Email CustSvc@Utilimaster.com or Browse the web site www.utilimaster.com.

Call 800-237-7806 (or 574-862-3219) or Fax to 574-862-7637.

(See the Decoding Part Numbers section for Item, Part, and Description codes.)

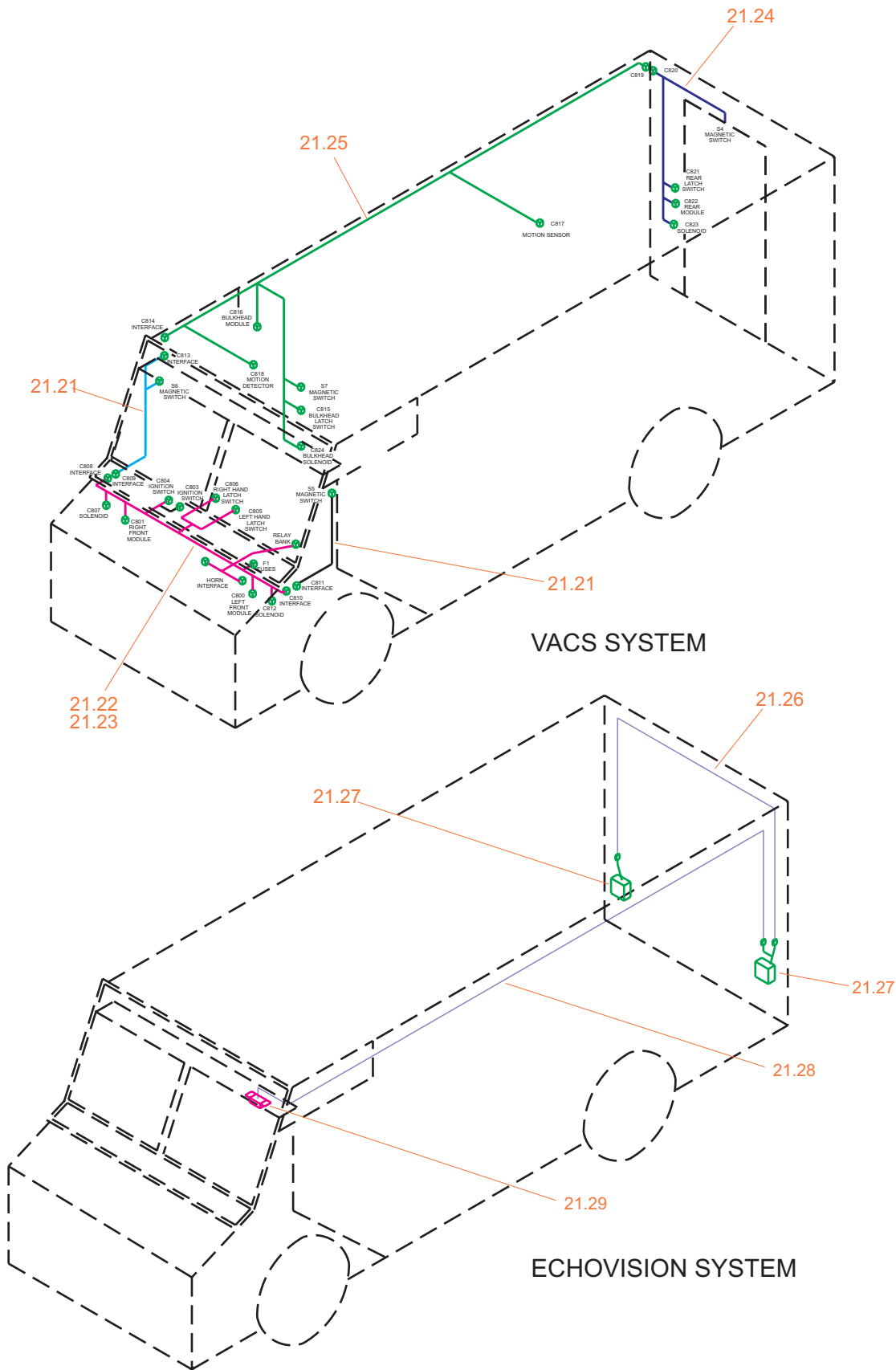


Item	Part Number	Description
21.NS	08611342	FUSE & HOLDER 15MIN (3)
21.NS	16101122	FUSE 15 AMP
21.NS	16101124	FUSE 20 AMP
21.NS	16101030	FUSE 25 AMP
21.NS	16101129	FUSE 30 AMP
21.NS	16513112	FUSE MAXI BLADE 20AMP
21.NS	16512859	FUSE ATO FAST ACTING 5 AMP
21.NS	16512651	FUSE HOLDER INLINE 20 AMP
21.NS	16101022	FUSE PNL 3-POS 15A
21.NS	16512408	GROMMET .75 DIAG SPLIT
21.NS	16512051	GROMMET CABLE ENTRY
21.NS	16512739	HARNESS JUMPER HVAC WATER VALVE
21.NS	16512576	HARNESS JMPR MAN TO ELE HTR
21.NS	16512403	HARNESS PIGTAIL LED LP
21.NS	16512866	HARNESS STEREO 4-SPEAKER SONY
21.NS	08706661	P-CLAMP RUBBER CLAD 2-1/4"
21.NS	16100054	RELAY 20-30 SPDT
21.NS	16512683	STEREO HARN W/RR SPKS
21.Ref	58231218	BACK UP/RUNNING LAMP FUSE INSTALL
21.Ref	58230404	WIRING JUNCTION BOX
21.Ref	58230440	GM FUSE BLOCK WIRE ROUTING #33
21.Ref	58231007-CHART	ROUTE WRG-INT CHAS INTRFACE #33



21—Electrical Harnesses

Options



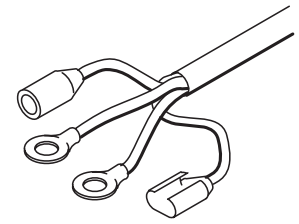
Electrical Harnesses, Options

Utilimaster, 65528 State Road 19, P.O. Box 585, Wakarusa, IN 46573-0585, U.S.A.

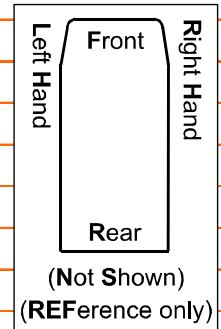
Email CustSvc@Utilimaster.com or Browse the web site www.utilimaster.com.

Call 800-237-7806 (or 574-862-3219) or Fax to 574-862-7637.

(See the Decoding Part Numbers section for Item, Part, and Description codes.)



Item	Part Number	Description
21.20		WIRE HARNESS OPTIONS
21.21 LH	16512471	HARNESS LH "A" PILLAR (Keyless)
21.21 RH	16512472	HARNESS RH "A" PILLAR (Keyless)
21.22	16512473	HARNESS DASH (Keyless)
21.23	16512767	HARNESS CHASSIS INTERFACE (Keyless)
21.24	16512475	HARNESS RR JUMPER (Keyless)
21.25	16513356	HARNESS ROOF 18' W/O BLKHD (Keyless)
21.26	16512527	CABLE SENSOR TO SENSOR
21.27 LH	16512737	MODULE LH SENSOR
21.27 RH	16512736	MODULE RH SENSOR
21.28	16512526	CABLE W/ALARM (SPECIFY LENGTH)
21.29	16512525	MODULE DISPLAY
21.NS	21310674	ALARM BACK-UP GROTE
21.NS	21100376	ALARM BACK-UP GROTE
21.NS	21310766	ALARM BACKUP PUBLIC SAFETY
21.NS	16512734	ALARM HINDSIGHT 20/20
21.NS	13672432	GASKET, RUBBER BCK-UP ALM
21.NS	16512885-CHART	GOVERNOR STURDY KIT 5.7L #33
21.NS	16513088-CHART	GOVERNOR STURDY KIT 6.5L #33
21.NS	16511906	ISOLATOR BAT
21.NS	01903003-CHART	MURPHY S/DWN ELEC #33
21.NS	64236589	STURDY GOVERNOR INSTL GM #33
21.NS	16016101	SWITCH LIGHTED PULL
21.NS	16000097	SWITCH TOGGLE 15AMP
21.NS	16511792	TIMER 60S DELAY .5A
21.NS	16512854	TIMER 10AMP 120MIN
21.NS	16512855	TIMER 20AMP 120MIN
21.Ref	03102103	MANUAL, VEHICLE ACCESS CONTROLS SYS
21.Ref	58231040	WIRE DIAGRAM KEYLESS ENTRY
21.Ref	58231024	ASY W/BU ALM FLUSH MT



Appendixes

06914922—Bulkhead Panels

APPENDIX 06914922 BULKHEAD PANELS	
Part Number	Description
06914922-H	PNL BHD RH AL SLDR FP 5 W x H
06914927-H	PNL BHD RH SLDR FP 20.25 W x H
06914928-H	PNL BHD RH SLDR FP 22 W x H
06914935-H	PNL BHD RH SLDR KSN 22 W x H
06914950-H	PNL BHD RH CUP FP 5 W x H
06914955-H	PNL BHD RH CUP FP 20.25 W x H
06914956-H	PNL BHD RH CUP FP 22 W x H
06914963-H	PNL BHD RH CUP KSN 22 W x H
06914977-H	PNL BHD RH CUP BST 22 W x H
06914984-H	PNL BHD RH SDN FP 22 W x H
06914991-H	PNL BHD RH SDN KSN 22 W x H
06915008-H	PNL BHD/JS RH SLDR FP 22"
06915010-H	PNL BHD/JS RH CUP FP 22"
06915012-H	PNL BHD RH DRH FP 22 W x H
06915015-H	PNL BHD/JS RH SLDR KSN 22" x H
06915029-H	PNL BHD/JS RH SLDR BST 22"
06915034-H	PNL BHD LH AL SLDR FP 28 W x H
06915036-H	PNL BHD LH SLDR FP 32.25 W x H
06915038-H	PNL BHD LH SLDR FP 35.75 W x H
06915042-H	PNL BHD LH SLDR FP 41 W x H
06915046-H	PNL BHD LH SLDR KSN 28 W x H
06915048-H	PNL BHD LH SLDR KSN 32.25 W x H
06915050-H	PNL BHD LH SLDR KSN 35.75 W x H
06915058-H	PNL BHD LH SLDR R38 28 W x H
06915060-H	PNL BHD LH SLD R38 32.25 W x H
06915062-H	PNL BHD LH SLD R38 35.75 W x H
06915070-H	PNL BHD LH CUP FP 28 W x H
06915072-H	PNL BHD LH CUP FP 32.25 W x H
06915074-H	PNL BHD LH CUP FP 35.75 W x H
06915082-H	PNL BHD LH CUP KSN 28 W x H
06915084-H	PNL BHD LH CUP KSN 32.25 W x H
06915086-H	PNL BHD LH CUP KSN 35.75 W x H
06915096-H	PNL BHD LH CUP R38 32.25 W x H
06915120-H	PNL BHD LH SDN KSN 32.25 W x H

Continued

06914922—Bulkhead Panels (continued)

APPENDIX 06914922 BULKHEAD PANELS	
Part Number	Description
06915144-H	PNL BHD LH DLH FP 32.25 W x H
06915145-H	PNL BHD LH DLH FP 33.88 W x H
06915146-H	PNL BHD LH DLH FP 35.75 W x H
06915148-H	PNL BHD LH DLH FP 37.38 W x H
06915151-H	PNL BHD LH DLH FP 42.25 W x H
06915153-H	PNL BHD LH DLH FP 46 W x H
06915157-H	PNL BHD LH DLH KSN 33.88 W x H
06915160-H	PNL BHD LH DLH KSN 37.38 W x H
06915169-H	PNL BHD LH DLH R38 33.38 W x H
06915719-H	BH W/JS RH SL/SL ENF 22 W x H
06915737-H	BH,LH SL/SL R38 35.75x H
06916564-H	BH LH SL/SL R38 32.25 x H
06916680-H	PNL BHD/JS RH SLDR FP 22"
06916684-H	PNL BHD/JS RH C/UP FP 22"
06921197-H	PANEL BHD RH W/JMPST KYLS ENTRY H
06921332-H	BHD AL SLDR 32.25" x H KEYLESS ENT
06922458	** PNL BHD RH KY ENT POS PRES W/CPT

51231196—Fitzpatrick Bumpers

APPENDIX: 51231196 11" FITZPATRICK STYLE BUMPERS				
PART NO.	UNIT WIDTH	BUMPER WIDTH	MOUNTING CONFIG.	DESCRIPTION
22813348-07850	78.5	80.75	22813293	TREADPLATE
22813348-08650	86.5	88.75	22813293	TREADPLATE
22813348-09350	93.5	95.75	22813293	TREADPLATE
22813349-07850	78.5	80.75	22813293	TREADPLATE W/KIDNEY
22813349-08650	86.5	88.75	22813293	TREADPLATE W/KIDNEY
22813349-09350	93.5	95.75	22813293	TREADPLATE W/KIDNEY
22813350-07850	78.5	80.75	22813293	TREADPLATE W/KIDNEY W/ HOLE
22813350-08650	86.5	88.75	22813293	TREADPLATE W/KIDNEY W/ HOLE
22813350-09350	93.5	95.75	22813293	TREADPLATE W/KIDNEY W/ HOLE
22816009-07850	78.5	80.75	22813293	TREADPLATE W/KIDNEY W/ 2 HOLES
22816009-08650	86.5	88.75	22813293	TREADPLATE W/KIDNEY W/ 2 HOLES
22816009-09350	93.5	95.75	22813293	TREADPLATE W/KIDNEY W/ 2 HOLES
22813351-07850	78.5	80.75	22813293	GRIPSTRUT
22813351-08650	86.5	88.75	22813293	GRIPSTRUT
22813351-09350	93.5	95.75	22813293	GRIPSTRUT
22813352-07850	78.5	80.75	22813293	GRIPSTRUT W/KIDNEY
22813352-08650	86.5	88.75	22813293	GRIPSTRUT W/KIDNEY
22813352-09350	93.5	95.75	22813293	GRIPSTRUT W/KIDNEY
22813353-07850	78.5	80.75	22813293	GRIPSTRUT W/KIDNEY W/ HOLE
22813353-07850	86.5	88.75	22813293	GRIPSTRUT W/KIDNEY W/ HOLE
22813353-07850	93.5	95.75	22813293	GRIPSTRUT W/KIDNEY W/ HOLE
22816010-07850	78.5	80.75	22813293	GRIPSTRUT W/KIDNEY W/ 2 HOLES
22816010-08650	86.5	88.75	22813293	GRIPSTRUT W/KIDNEY W/ 2 HOLES
22816010-09350	93.5	95.75	22813293	GRIPSTRUT W/KIDNEY W/ 2 HOLES

51231209—Chassis Risers

APPENDIX 51231209 #33 CHASSIS RISERS				
W/B	UNIT LENGTH	ITEM 1.15	ITEM 1.10	ITEM 1.31
#33 STANDARD FLOOR				
178-S	18.0	22101966	22101963-00003	22101862-02219
178-S	17.0	22101966	22101963-00002	22101862-01019
178-S	16.0	22101966	22101963-00001	NA
178	18.0	22101966	22101963-00003	22101862-00119
178	17.0	22101966	22101963-00002	NA
178	16.5	22101966	22101963-00004	NA
178	16.0	22101966	22101963-00001	NA
157	16.5	22813827	22813825-08604	22101862-02519
157	16.0	22813827	22813825-08004	22101862-01919
157	15.0	22813827	22813825-06804	22101862-00719
157	14.0	22813827	22813825-05604	NA
157	13.0	22813827	22813825-04404	NA
125	12.0	22813826	22813825-05604	NA
125	11.0	22813826	22813825-04404	NA
125	11.0	22813829	22813828-03504	22101862-00719
125	10.0	22813829	22813828-02304	NA
110	9.0	22813897-RH	NA	NA
110	9.0	22813896-LH	NA	NA
#33 INSULATED FLOOR				
178-S	18.0	22814138	22814139-09880	22101862-02219
178-S	18.0	22814138	22814139-09880	22101862-00119
178	17.0	22814138	22814139-08680	NA
178	16.0	22814138	22814139-07480	NA
178	16.0	22814136	22814137-08004	22101862-01919
157	15.0	22814136	22814137-06804	22101862-00719
157	14.0	22814136	22814137-05604	NA
157	13.0	22814136	22814137-04404	NA
133	12.0	22814135	22814137-05604	NA
133	11.0	22814135	22814137-04404	NA
125	11.0	22814133	22814134-03504	22101862-00719
125	10.0	22814133	22814134-02304	NA
110	9.0	22814132-RH	NA	NA
110	9.0	22814131-LH	NA	NA
178-S refers to a 178" wheel base chassis that was stretched from 157".				

54000000—Quarter Panels

APPENDIX 54000000 QUARTER PANELS						
Prior to 2000*	After 2000*	ABS Intake	Position	Ref No.	Note	Description
06918333	06921105	NA	LH	33	Receipt	PANEL QTR LH NO VENT W/HTR #33
06915342	06921101	NA	LH	33	Std	PANEL QTR LH #33
06916636	06921102	06924032	RH	33	Std	PANEL QTR RH #33
06916635	06921103	NA	LH	33	Vent	PANEL QTR LH W/VENT #33
06601791	06921104	06924033	RH	33	Vent	PANEL QTR RH W/VENT #33
06918332	06921106	NA	LH	33	Vent Receipt	PANEL QTR LH W/VENT & HTR #33
2000*						
The front structure design changed in model year 2000. Consult Customer Service if your unit was built in this year.						
ABS Intake						
The ABS heater intake replaced the punched louvers. You might save time and money upgrading to this design.						
Notes						
Std—Standard						
Vent—Cutout for hingeless vent						
Kyls—Keyless entry						
Receipt—Receipt for engine block heater						
IPCX—One piece cross member						
Spl—Special application						
Reference ECNs 11635 and 16153.						

54231878—Jump Seats

JUMP SEATS WITH HEADREST		
OPT/#	Item 11.50	Item 11.51
W00136-30	13672143 - CUSHION,BACK BLACK/VINYL	13672142 - J/SEAT,WALL MNT BLACK
W00136-31	13672237 - CUSHION,BACK SALT & PEPPER	13121022 - J/SEAT,WALL MNT SALT/PEPPER
W00136-32	13010579 - CUSHION,BACK BLACK/NYLON	13112492 - J/SEAT,WALL MNT BLACK
W00136-33	13672137 - CUSHION,BACK BROWN	13672236 - J/SEAT,WALL MNT BROWN
W00136-34	13672196 - CUSHION,BACK RED/BLACK	13672195 - J/SEAT,WALL MNT RED
W00136-35	13672229 - CUSHION,BACK CADET BLUE	13672228 - J/SEAT,WALL MNT BLUE
W00136-36	13015606 - CUSHION,BACK GREY/VINYL	13015605 - J/SEAT,WALL MNT GREY
JUMP SEATS, HIGHBACK		
OPT/#	Item 11.50	Item 11.51
W00137-30	13672245 - CUSHION,BLACK/VINYL 12 X 32	13672142 - J/SEAT,WALL MNT BLACK
W00137-31	13672169 - CUSHION,SALT/PEPPER 12 X 32	13121022 - J/SEAT,WALL MNT SALT/PEPPER
W00137-32	13672246 - CUSHION,BLACK/NYLON 12 X 32	13112492 - J/SEAT,WALL MNT BLACK
W00137-33	13672249 - CUSHION,BROWN 12 X 32	13672236 - J/SEAT,WALL MNT BROWN
W00137-34	13672247 - CUSHION,RED 12 X 32	13672195 - J/SEAT,WALL MNT RED
W00137-35	13672248 - CUSHION,CADET BLUE 12 X 32	13672228 - J/SEAT,WALL MNT BLUE
W00137-36	13672219 - CUSHION,GREY/VINYL 12 X 32	13015605 - J/SEAT,WALL MNT GREY
W00137-43	13672417 - CUSHION,BLACK CORDURA 12 X 32	13672416 - J/SEAT,WALL MNT BLACK CORDURA
W00137-31G	13672460 - CUSHION,S&P ETERNAL 12 X 32	13672459 - J/SEAT,WALL MNT S & P ETERNAL
W001000-32	13672467 - CUSHION,CONTOURED BACK BLK ETERNAL	13672466 - J/SEAT ASSY 16" MINI BLK ETERNAL

Appendix 54231878d.fn9

55230967—Rear Swing Door Metal

APPENDIX 55230967 REAR METAL FOR NARROW SWING DOORS						
Unit Size	Item 16.2 LH	Item 16.2 RH	Item 16.2 LH	Item 16.2 RH	Item 16.2 LH	Item 16.2 RH
20" Swing Door	Solid Panel		2 Round Lights		3 Round Lights	
78.5W x 73H	06502923-78573	06502868-78573	06502950-78573	06502949-78573	06502959-78573	06502958-78573
78.5W x 81H	06502923-78581	06502868-78581	06502950-78581	06502949-78581	06502959-78581	06502958-78581
78.5W x 85H	06502923-78585	06502868-78585	06502950-78585	06502949-78585	06502959-78585	06502958-78585
86.5W x 73H	06502923-86573	06502868-86573	06502950-86573	06502949-86573	06502959-86573	06502958-86573
86.5W x 81H	06502923-86581	06502868-86581	06502950-86581	06502949-86581	06502959-86581	06502958-86581
86.5W x 85H	06502923-86585	06502868-86585	06502950-86585	06502949-86585	06502959-86585	06502958-86585
93.5W x 73H	06502923-93573	06502868-93573	06502950-93573	06502949-93573	06502959-93573	06502958-93573
93.5W x 81H	06502923-93581	06502868-93581	06502950-93581	06502949-93581	06502959-93581	06502958-93581
93.5W x 85H	06502923-93585	06502868-93585	06502950-93585	06502949-93585	06502959-93585	06502958-93585
25" Swing Door	Solid Panel		2 Round Lights		3 Round Lights	
78.5W x 73H	06502883-78573	06502882-78573	06502947-78573	06502948-78573	06502957-78573	06502956-78573
78.5W x 81H	06502883-78581	06502882-78581	06502947-78581	06502948-78581	06502957-78581	06502956-78581
78.5W x 85H	06502883-78585	06502882-78585	06502947-78585	06502948-78585	06502957-78585	06502956-78585
86.5W x 73H	06502883-86573	06502882-86573	06502947-86573	06502948-86573	06502957-86573	06502956-86573
86.5W x 81H	06502883-86581	06502882-86581	06502947-86581	06502948-86581	06502957-86581	06502956-86581
86.5W x 85H	06502883-86585	06502882-86585	06502947-86585	06502948-86585	06502957-86585	06502956-86585
93.5W x 73H	06502883-93573	06502882-93573	06502947-93573	06502948-93573	06502957-93573	06502956-93573
93.5W x 81H	06502883-93581	06502882-93581	06502947-93581	06502948-93581	06502957-93581	06502956-93581
93.5W x 85H	06502883-93585	06502882-93585	06502947-93585	06502948-93585	06502957-93585	06502956-93585
29" Swing Door	Solid Panel		2 Round Lights		3 Round Lights	
78.5W x 73H	06502924-78573	06502872-78573	NA	NA	NA	NA
78.5W x 81H	06502924-78581	06502872-78581	NA	NA	NA	NA
78.5W x 85H	06502924-78585	06502872-78585	NA	NA	NA	NA
86.5W x 73H	06502924-86573	06502872-86573	06502952-86573	06502951-86573	06502962-86573	06502960-86573
86.5W x 81H	06502924-86581	06502872-86581	06502952-86581	06502951-86581	06502962-86581	06502960-86581
86.5W x 85H	06502924-86585	06502872-86585	06502952-86585	06502951-86585	06502962-86585	06502960-86585
93.5W x 73H	06502924-93573	06502872-93573	06502952-93573	06502951-93573	06502962-93573	06502960-93573
93.5W x 81H	06502924-93581	06502872-93581	06502952-93581	06502951-93581	06502962-93581	06502960-93581
93.5W x 85H	06502924-93585	06502872-93585	06502952-93585	06502951-93585	06502962-93585	06502960-93585
20" Swing Door	High Mount Round Lights		High Mount Oval Lights		High Mount Square Lights	
78.5W x 73H	06915951-78573	06915952-78573	06915957-78573	06915958-78573	06915963-78573	06915964-78573
78.5W x 81H	06915951-78581	06915952-78581	06915957-78581	06915958-78581	06915963-78581	06915964-78581
78.5W x 85H	06915951-78585	06915952-78585	06915957-78585	06915958-78585	06915963-78585	06915964-78585
86.5W x 73H	06915953-86573	06915954-86573	06915959-86573	06915960-86573	06915965-86573	06915966-86573
86.5W x 81H	06915953-86581	06915954-86581	06915959-86581	06915960-86581	06915965-86581	06915966-86581
86.5W x 85H	06915953-86585	06915954-86585	06915959-86585	06915960-86585	06915965-86585	06915966-86585
93.5W x 73H	06915955-93573	06915956-93573	06915961-93573	06915962-93573	06915967-93573	06915968-93573
93.5W x 81H	06915955-93581	06915956-93581	06915961-93581	06915962-93581	06915967-93581	06915968-93581
93.5W x 85H	06915955-93585	06915956-93585	06915961-93585	06915962-93585	06915967-93585	06915968-93585

55230969—Rear Swing Door Metal

APPENDIX 55230969 (1 of 2) REAR METAL FOR NARROW ROLL-UP DOORS				
Unit Size	Item 16.2 LH	Item 16.2 RH	Item 16.2 LH	Item 16.2 RH
40" Door		Solid Panel		2 Round Lights
78.5W x 73H	06915653-78573	06915652-78573	06915651-78573	06915650-78573
78.5W x 81H	06915653-78581	06915652-78581	06915651-78581	06915650-78581
78.5W x 85H	06915653-78585	06915652-78585	06915651-78585	06915650-78585
86.5W x 73H	06915647-86573	06915646-86573	06915645-86573	06915644-86573
86.5W x 81H	06915647-86581	06915646-86581	06915645-86581	06915644-86581
86.5W x 85H	06915647-86585	06915646-86585	06915645-86585	06915644-86585
93.5W x 73H	06915641-93573	06915640-93573	06915639-93573	06915638-93573
93.5W x 81H	06915641-93581	06915640-93581	06915639-93581	06915638-93581
93.5W x 85H	06915641-93585	06915640-93585	06915639-93585	06915638-93585
50" Door		Solid Panel		2 Round Lights
78.5W x 73H	06502932-78573	06502931-78573	06502928-78573	06502927-78573
78.5W x 81H	06502932-78581	06502931-78581	06502928-78581	06502927-78581
78.5W x 85H	06502932-78585	06502931-78585	06502928-78585	06502927-78585
86.5W x 73H	06502932-86573	06502931-86573	06502928-86573	06502927-86573
86.5W x 81H	06502932-86581	06502931-86581	06502928-86581	06502927-86581
86.5W x 85H	06502932-86585	06502931-86585	06502928-86585	06502927-86585
93.5W x 73H	06502932-93573	06502931-93573	06502928-93573	06502927-93573
93.5W x 81H	06502932-93581	06502931-93581	06502928-93581	06502927-93581
93.5W x 85H	06502932-93585	06502931-93585	06502928-93585	06502927-93585
60" Door		Solid Panel		2 Round Lights
78.5W x 73H	06502930-78573	06502929-78573	06502885-78573	06502884-78573
78.5W x 81H	06502930-78581	06502929-78581	06502885-78581	06502884-78581
78.5W x 85H	06502930-78585	06502929-78585	06502885-78585	06502884-78585
86.5W x 73H	06502930-86573	06502929-86573	06502885-86573	06502884-86573
86.5W x 81H	06502930-86581	06502929-86581	06502885-86581	06502884-86581
86.5W x 85H	06502930-86585	06502929-86585	06502885-86585	06502884-86585
93.5W x 73H	06502930-93573	06502929-93573	06502885-93573	06502884-93573
93.5W x 81H	06502930-93581	06502929-93581	06502885-93581	06502884-93581
93.5W x 85H	06502930-93585	06502929-93585	06502885-93585	06502884-93585
72" Door		Solid Panel		2 Round Lights
93.5W x 73H	06502985-93573	06502986-93573	06916170-93573	06916171-93573
93.5W x 81H	06502985-93581	06502986-93581	06916170-93581	06916171-93581
93.5W x 85H	06502985-93585	06502986-93585	06916170-93585	06916171-93585

See also next page for 3 Round Lights and High Mount Lights.

55230969—Rear Swing Door Metal (continued)

APPENDIX 55230969 (2 of 2) REAR METAL FOR NARROW ROLL-UP DOORS				
Unit Size	Item 16.2 LH	Item 16.2 RH	Item 16.2 LH	Item 16.2 RH
40" Door	3 Round Lights		High Mount Lights	
78.5W x 73H	06915655-78573	06915654-78573	06916016-78573	06916019-78573
78.5W x 81H	06915655-78581	06915654-78581	06916016-78581	06916019-78581
78.5W x 85H	06915655-78585	06915654-78585	06916016-78585	06916019-78585
86.5W x 73H	06915649-86573	06915648-86573	06916017-86573	06916020-86573
86.5W x 81H	06915649-86581	06915648-86581	06916017-86581	06916020-86581
86.5W x 85H	06915649-86585	06915648-86585	06916017-86585	06916020-86585
93.5W x 73H	06915643-93573	06915642-93573	06916018-93573	06916021-93573
93.5W x 81H	06915643-93581	06915642-93581	06916018-93581	06916021-93581
93.5W x 85H	06915643-93585	06915642-93585	06916018-93585	06916021-93585
50" Door	3 Round Lights		High Mount Lights	
78.5W x 73H	06502963-78573	06502962-78573	06916022-78573	06916025-78573
78.5W x 81H	06502963-78581	06502962-78581	06916022-78581	06916025-78581
78.5W x 85H	06502963-78585	06502962-78585	06916022-78585	06916025-78585
86.5W x 73H	06502963-86573	06502962-86573	06916023-86573	06916026-86573
86.5W x 81H	06502963-86581	06502962-86581	06916023-86581	06916026-86581
86.5W x 85H	06502963-86585	06502962-86585	06916023-86585	06916026-86585
93.5W x 73H	06502963-93573	06502962-93573	06916024-93573	06916027-93573
93.5W x 81H	06502963-93581	06502962-93581	06916024-93581	06916027-93581
93.5W x 85H	06502963-93585	06502962-93585	06916024-93585	06916027-93585
60" Door	3 Round Lights		High Mount Lights	
78.5W x 73H	06502965-78573	06502964-78573	06916028-78573	06916031-78573
78.5W x 81H	06502965-78581	06502964-78581	06916028-78581	06916031-78581
78.5W x 85H	06502965-78585	06502964-78585	06916028-78585	06916031-78585
86.5W x 73H	06502965-86573	06502964-86573	06916029-86573	06916032-86573
86.5W x 81H	06502965-86581	06502964-86581	06916029-86581	06916032-86581
86.5W x 85H	06502965-86585	06502964-86585	06916029-86585	06916032-86585
93.5W x 73H	06502965-93573	06502964-93573	06916030-93573	06916033-93573
93.5W x 81H	06502965-93581	06502964-93581	06916030-93581	06916033-93581
93.5W x 85H	06502965-93585	06502964-93585	06916030-93585	06916033-93585
72" Door	3 Round Lights		High Mount Lights	
93.5W x 73H	06916172-93573	06916173-93573	06916174-93573	06916175-93573
93.5W x 81H	06916172-93581	06916173-93581	06916174-93581	06916175-93581
93.5W x 85H	06916172-93585	06916173-93585	06916174-93585	06916175-93585

55231017—Kickplates

APPENDIX 55231017 KICKPLATES		
FULL WIDTH KICKPLATES		
LOCATION OF TAIL LIGHTS	LOCATION OF LICENSE	PART NUMBER
STANDARD IN KICKPLATE	PLATE IN CENTER	06601671-W
STANDARD IN KICKPLATE	PLATE ON SIDE METAL	06915414-W
IN SIDE METAL	PLATE ON LEFT HAND	06916328-W
IN SIDE METAL	PLATE ON RIGHT HAND	06916327
IN SIDE METAL	PLATE ON SIDE METAL	06916950-W
IN SIDE METAL	PLATE IN CENTER	06601696-W
1 LIGHT IN KICKPLATE	PLATE IN CENTER	06601742-W
3 LIGHTS IN KICKPLATE	PLATE IN CENTER	06918102-W
OPTIONAL RECTANGULAR LIGHTS	PLATE IN CENTER	06601697-W
OPTIONAL OVAL LIGHTS	PLATE IN CENTER	06601698-W
IN LIFTGATE	PLATE IN LIFTGATE	06502934
NARROWED KICKPLATES		
CONFIGURATION	MATERIAL	PART NUMBER
WITH LICENSE PLATE LIGHT	.063 ALUM	06924831-CHART
WITH LICENSE PLATE LIGHT	.100 ALUM	06923918-CHART
NO LICENSE PLATE LIGHT	.100 ALUM	06925804-CHART
SOLID / NO LICENSE PLATE	.063 ALUM	06924518-CHART
SOLID / NO LICENSE PLATE	.100 ALUM	06924238-CHART

55231328—Rear Structure Metal, Narrow Roll-up Door

(1 of 2)

APPENDIX 55231328 REAR STRUCTURE METAL NARROW ROLL-UP Page 1 of 2						
SIZE	SOLID PANEL		W/2 ROUND TAILLIGHTS		W/3 ROUND TAILLIGHTS	
	LH	RH	LH	RH	LH	RH
40" ROLLUP DOOR						
78.5W X 73H	06923886-AD040	06923887-AD040	06923954-AD040	06923955-AD040	06923900-AD040	06923901-AD040
78.5W X 81H	06923886-AE040	06923887-AE040	06923954-AE040	06923955-AE040	06923900-AE040	06923901-AE040
78.5W X 85H	06923886-AF040	06923887-AF040	06923954-AF040	06923955-AF040	06923900-AF040	06923901-AF040
86.5W X 73H	06923886-BD040	06923887-BD040	06923954-BD040	06923955-BD040	06923900-BD040	06923901-BD040
86.5W X 81H	06923886-BE040	06923887-BE040	06923954-BE040	06923955-BE040	06923900-BE040	06923901-BE040
86.5W X 85H	06923886-BF040	06923887-BF040	06923954-BF040	06923955-BF040	06923900-BF040	06923901-BF040
93.5W X 73H	06923886-CD040	06923887-CD040	06923954-CD040	06923955-CD040	06923900-CD040	06923901-CD040
93.5W X 81H	06923886-CE040	06923887-CE040	06923954-CE040	06923955-CE040	06923900-CE040	06923901-CE040
93.5W X 85H	06923886-CF040	06923887-CF040	06923954-CF040	06923955-CF040	06923900-CF040	06923901-CF040
50" ROLLUP DOOR						
78.5W X 73H	06923886-AD050	06923887-AD050	06923954-AD050	06923955-AD050	06923900-AD050	06923901-AD050
78.5W X 81H	06923886-AE050	06923887-AE050	06923954-AE050	06923955-AE050	06923900-AE050	06923901-AE050
78.5W X 85H	06923886-AF050	06923887-AF050	06923954-AF050	06923955-AF050	06923900-AF050	06923901-AF050
86.5W X 73H	06923886-BD050	06923887-BD050	06923954-BD050	06923955-BD050	06923900-BD050	06923901-BD050
86.5W X 81H	06923886-BE050	06923887-BE050	06923954-BE050	06923955-BE050	06923900-BE050	06923901-BE050
86.5W X 85H	06923886-BF050	06923887-BF050	06923954-BF050	06923955-BF050	06923900-BF050	06923901-BF050
93.5W X 73H	06923886-CD050	06923887-CD050	06923954-CD050	06923955-CD050	06923900-CD050	06923901-CD050
93.5W X 81H	06923886-CE050	06923887-CE050	06923954-CE050	06923955-CE050	06923900-CE050	06923901-CE050
93.5W X 85H	06923886-CF050	06923887-CF050	06923954-CF050	06923955-CF050	06923900-CF050	06923901-CF050
60" ROLLUP DOOR						
78.5W X 73H	06923886-AD060	06923887-AD060	06923954-AD060	06923955-AD060	06923900-AD060	06923901-AD060
78.5W X 81H	06923886-AE060	06923887-AE060	06923954-AE060	06923955-AE060	06923900-AE060	06923901-AE060
78.5W X 85H	06923886-AF060	06923887-AF060	06923954-AF060	06923955-AF060	06923900-AF060	06923901-AF060
86.5W X 73H	06923886-BD060	06923887-BD060	06923954-BD060	06923955-BD060	06923900-BD060	06923901-BD060
86.5W X 81H	06923886-BE060	06923887-BE060	06923954-BE060	06923955-BE060	06923900-BE060	06923901-BE060
86.5W X 85H	06923886-BF060	06923887-BF060	06923954-BF060	06923955-BF060	06923900-BF060	06923901-BF060
93.5W X 73H	06923886-CD060	06923887-CD060	06923954-CD060	06923955-CD060	06923900-CD060	06923901-CD060
93.5W X 81H	06923886-CE060	06923887-CE060	06923954-CE060	06923955-CE060	06923900-CE060	06923901-CE060
93.5W X 85H	06923886-CF060	06923887-CF060	06923954-CF060	06923955-CF060	06923900-CF060	06923901-CF060
72" ROLLUP DOOR						
78.5W X 73H	N/A	N/A	N/A	N/A	N/A	N/A
78.5W X 81H	N/A	N/A	N/A	N/A	N/A	N/A
78.5W X 85H	N/A	N/A	N/A	N/A	N/A	N/A
86.5W X 73H	N/A	N/A	N/A	N/A	N/A	N/A
86.5W X 81H	N/A	N/A	N/A	N/A	N/A	N/A
86.5W X 85H	N/A	N/A	N/A	N/A	N/A	N/A
93.5W X 73H	06923886-CD073	06923887-CD073	06923954-CD072	06923955-CD072	06923900-CD072	06923901-CD072
93.5W X 81H	06923886-CE073	06923887-CE073	06923954-CE040	06923955-CE072	06923900-CE072	06923901-CE072
93.5W X 85H	06923886-CF073	06923887-CF073	06923954-CF040	06923955-CF072	06923900-CF072	06923901-CF072

PART NUMBER 5523xxxx-AD140

- A = 78.5 WIDE
- B = 86.5 WIDE
- C = 93.5 WIDE

- D = 73 HIGH
- E = 81 HIGH
- F = 85 HIGH

- 1 = SINGLE POINT SLAMLOCK
- 2 = TWO POINT SLAMLOCK
- 3 = MAXIMUM SECURITY (BANANA) LOCK

- 40 = DOOR WIDTH IN INCHES
- (50)
- (60)
- (72)

APPENDIX 55231328: REAR STRUCTURE METAL NARROW ROLL-UP 2 of 2					
		W/SIDE HIGH MOUNT		W/2 LIGHT KICK	
SIZE	LH	RH	LH	RH	
40" ROLLUP DOOR					
78.5W X 73H	06926551-AD040	06926552-AD040	06926554-AD040	06926555-AD040	
78.5W X 81H	06926551-AE040	06926552-AE040	06926554-AE040	06926555-AE040	
78.5W X 85H	06926551-AF040	06926552-AF040	06926554-AF040	06926555-AF040	
86.5W X 73H	06926551-BD040	06926552-BD040	06926554-BD040	06926555-BD040	
86.5W X 81H	06926551-BE040	06926552-BE040	06926554-BE040	06926555-BE040	
86.5W X 85H	06926551-BF040	06926552-BF040	06926554-BF040	06926555-BF040	
93.5W X 73H	06926551-CD040	06926552-CD040	06926554-CD040	06926555-CD040	
93.5W X 81H	06926551-CE040	06926552-CE040	06926554-CE040	06926555-CE040	
93.5W X 85H	06926551-CF040	06926552-CF040	06926554-CF040	06926555-CF040	
50" ROLLUP DOOR					
78.5W X 73H	06926551-AD050	06926552-AD050	06926554-AD050	06926555-AD050	
78.5W X 81H	06926551-AE050	06926552-AE050	06926554-AE050	06926555-AE050	
78.5W X 85H	06926551-AF050	06926552-AF050	06926554-AF050	06926555-AF050	
86.5W X 73H	06926551-BD050	06926552-BD050	06926554-BD050	06926555-BD050	
86.5W X 81H	06926551-BE050	06926552-BE050	06926554-BE050	06926555-BE050	
86.5W X 85H	06926551-BF050	06926552-BF050	06926554-BF050	06926555-BF050	
93.5W X 73H	06926551-CD050	06926552-CD050	06926554-CD050	06926555-CD050	
93.5W X 81H	06926551-CE050	06926552-CE050	06926554-CE050	06926555-CE050	
93.5W X 85H	06926551-CF050	06926552-CF050	06926554-CF050	06926555-CF050	
60" ROLLUP DOOR					
78.5W X 73H	06926551-AD060	06926552-AD060	06926554-AD060	06926555-AD060	
78.5W X 81H	06926551-AE060	06926552-AE060	06926554-AE060	06926555-AE060	
78.5W X 85H	06926551-AF060	06926552-AF060	06926554-AF060	06926555-AF060	
86.5W X 73H	06926551-BD060	06926552-BD060	06926554-BD060	06926555-BD060	
86.5W X 81H	06926551-BE060	06926552-BE060	06926554-BE060	06926555-BE060	
86.5W X 85H	06926551-BF060	06926552-BF060	06926554-BF060	06926555-BF060	
93.5W X 73H	06926551-CD060	06926552-CD060	06926554-CD060	06926555-CD060	
93.5W X 81H	06926551-CE060	06926552-CE060	06926554-CE060	06926555-CE060	
93.5W X 85H	06926551-CF060	06926552-CF060	06926554-CF060	06926555-CF060	
72" ROLLUP DOOR					
78.5W X 73H	N/A	N/A	N/A	N/A	
78.5W X 81H	N/A	N/A	N/A	N/A	
78.5W X 85H	N/A	N/A	N/A	N/A	
86.5W X 73H	N/A	N/A	N/A	N/A	
86.5W X 81H	N/A	N/A	N/A	N/A	
86.5W X 85H	N/A	N/A	N/A	N/A	
93.5W X 73H	06926551-CD072	06926552-CD072	06926554-CD072	06926555-CD072	
93.5W X 81H	06926551-CE072	06926552-CE072	06926554-CE072	06926555-CE072	
93.5W X 85H	06926551-CF072	06926552-CF072	06926554-CF072	06926555-CF072	

APPENDIX 55231329: REAR STRUCTURE METAL Page 1 of 2						
SIZE	SOLID PANEL		W/2 ROUND TAILLIGHTS		W/3 ROUND TAILLIGHTS	
	LH	RH	LH	RH	LH	RH
20" SWING DOOR						
78.5W X 73H	06923886-AD020	06923887-AD020	06923954-AD020	06923955-AD020	06923900-AD020	06923901-AD020
78.5W X 81H	06923886-AE020	06923887-AE020	06923954-AE020	06923955-AE020	06923900-AE020	06923901-AE020
78.5W X 85H	06923886-AF020	06923887-AF020	06923954-AF020	06923955-AF020	06923900-AF020	06923901-AF020
86.5W X 73H	06923886-BD020	06923887-BD020	06923954-BD020	06923955-BD020	06923900-BD020	06923901-BD020
86.5W X 81H	06923886-BE020	06923887-BE020	06923954-BE020	06923955-BE020	06923900-BE020	06923901-BE020
86.5W X 85H	06923886-BF020	06923887-BF020	06923954-BF020	06923955-BF020	06923900-BF020	06923901-BF020
93.5W X 73H	06923886-CD020	06923887-CD020	06923954-CD020	06923955-CD020	06923900-CD020	06923901-CD020
93.5W X 81H	06923886-CE020	06923887-CE020	06923954-CE020	06923955-CE020	06923900-CE020	06923901-CE020
93.5W X 85H	06923886-CF020	06923887-CF020	06923954-CF020	06923955-CF020	06923900-CF020	06923901-CF020
25" SWING DOOR						
78.5W X 73H	06923886-AD025	06923887-AD025	06923954-AD025	06923955-AD025	06923900-AD025	06923901-AD025
78.5W X 81H	06923886-AE025	06923887-AE025	06923954-AE025	06923955-AE025	06923900-AE025	06923901-AE025
78.5W X 85H	06923886-AF025	06923887-AF025	06923954-AF025	06923955-AF025	06923900-AF025	06923901-AF025
86.5W X 73H	06923886-BD025	06923887-BD025	06923954-BD025	06923955-BD025	06923900-BD025	06923901-BD025
86.5W X 81H	06923886-BE025	06923887-BE025	06923954-BE025	06923955-BE025	06923900-BE025	06923901-BE025
86.5W X 85H	06923886-BF025	06923887-BF025	06923954-BF025	06923955-BF025	06923900-BF025	06923901-BF025
93.5W X 73H	06923886-CD025	06923887-CD025	06923954-CD025	06923955-CD025	06923900-CD025	06923901-CD025
93.5W X 81H	06923886-CE025	06923887-CE025	06923954-CE025	06923955-CE025	06923900-CE025	06923901-CE025
93.5W X 85H	06923886-CF025	06923887-CF025	06923954-CF025	06923955-CF025	06923900-CF025	06923901-CF025
29" SWING DOOR						
78.5W X 73H	N/A	N/A	N/A	N/A	N/A	N/A
78.5W X 81H	N/A	N/A	N/A	N/A	N/A	N/A
78.5W X 85H	N/A	N/A	N/A	N/A	N/A	N/A
86.5W X 73H	06923886-BD029	06923887-BD029	06923954-BD029	06923955-BD029	06923900-BD029	06923901-BD029
86.5W X 81H	06923886-BE029	06923887-BE029	06923954-BE029	06923955-BE029	06923900-BE029	06923901-BE029
86.5W X 85H	06923886-BF029	06923887-BF029	06923954-BF029	06923955-BF029	06923900-BF029	06923901-BF029
93.5W X 73H	06923886-CD029	06923887-CD029	06923954-CD029	06923955-CD029	06923900-CD029	06923901-CD029
93.5W X 81H	06923886-CE029	06923887-CE029	06923954-CE029	06923955-CE029	06923900-CE029	06923901-CE029
93.5W X 85H	06923886-CF029	06923887-CF029	06923954-CF029	06923955-CF029	06923900-CF029	06923901-CF029

PART NUMBER 5523xxxx-AD140

- A = 78.5 WIDE
- B = 86.5 WIDE
- C = 93.5 WIDE

- D = 73 HIGH
- E = 81 HIGH
- F = 85 HIGH

- 1 = SINGLE POINT SLAMLOCK
- 2 = TWO POINT SLAMLOCK
- 3 = MAXIMUM SECURITY (BANANA) LOCK

- 40 = DOOR WIDTH IN INCHES
- (50)
- (60)
- (72)

APPENDIX 55231329: REAR STRUCTURE METAL Page 2 of 2				
SIZE	W/SIDE HIGH MOUNT		W/2 LIGHT KICK	
	LH	RH	LH	RH
20" SWING DOOR				
78.5W X 73H	06926551-AD020	06926552-AD020	06926554-AD020	06926555-AD020
78.5W X 81H	06926551-AE020	06926552-AE020	06926554-AE020	06926555-AE020
78.5W X 85H	06926551-AF020	06926552-AF020	06926554-AF020	06926555-AF020
86.5W X 73H	06926551-BD020	06926552-BD020	06926554-BD020	06926555-BD020
86.5W X 81H	06926551-BE020	06926552-BE020	06926554-BE020	06926555-BE020
86.5W X 85H	06926551-BF020	06926552-BF020	06926554-BF020	06926555-BF020
93.5W X 73H	06926551-CD020	06926552-CD020	06926554-CD020	06926555-CD020
93.5W X 81H	06926551-CE020	06926552-CE020	06926554-CE020	06926555-CE020
93.5W X 85H	06926551-CF020	06926552-CF020	06926554-CF020	06926555-CF040
25" SWING DOOR				
78.5W X 73H	06926551-AD025	06926552-AD025	06926554-AD025	06926555-AD025
78.5W X 81H	06926551-AE025	06926552-AE025	06926554-AE025	06926555-AE025
78.5W X 85H	06926551-AF025	06926552-AF025	06926554-AF025	06926555-AF025
86.5W X 73H	06926551-BD025	06926552-BD025	06926554-BD025	06926555-BD025
86.5W X 81H	06926551-BE025	06926552-BE025	06926554-BE025	06926555-BE025
86.5W X 85H	06926551-BF025	06926552-BF025	06926554-BF025	06926555-BF025
93.5W X 73H	06926551-CD025	06926552-CD025	06926554-CD025	06926555-CD025
93.5W X 81H	06926551-CE025	06926552-CE025	06926554-CE025	06926555-CE025
93.5W X 85H	06926551-CF025	06926552-CF025	06926554-CF025	06926555-CF025
29" SWING DOOR				
78.5W X 73H	N/A	N/A	06926554-AD029	06926555-AD029
78.5W X 81H	N/A	N/A	06926554-AE029	06926555-AE029
78.5W X 85H	N/A	N/A	06926554-AF029	06926555-AF029
86.5W X 73H	06926551-BD029	06926552-BD029	06926554-BD029	06926555-BD029
86.5W X 81H	06926551-BE029	06926552-BE029	06926554-BE029	06926555-BE029
86.5W X 85H	06926551-BF029	06926552-BF029	06926554-BF029	06926555-BF029
93.5W X 73H	06926551-CD029	06926552-CD029	06926554-CD029	06926555-CD029
93.5W X 81H	06926551-CE029	06926552-CE029	06926554-CE029	06926555-CE029
93.5W X 85H	06926551-CF029	06926552-CF029	06926554-CF029	06926555-CF029

More Rear Metal Options				
Number	LH/RH	Light Configuration	Spring Bumper	Keyless Entry
06925181-CHART	LH	3-Up, Echo	No	
06925182-CHART	RH	3-Up, Echo	No	No
06925758-CHART	RH	2-Up	Spring Bumper	Yes
06925759-CHART	LH	2-Up	Spring Bumper	
06926476-CHART	LH	3-Up	Spring Bumper	
06926477-CHART	RH	3-Up	Spring Bumper	Yes
06926609-CHART	RH	2-Up 1-High	No	No
06926610-CHART	LH	2-Up 1-High	No	
Pending	LH	3 Kickplate	No	
Pending	RH	3 Kickplate	No	Yes

More Information

Utilimaster Quick Reference Parts Guide

Easily find commonly replaced parts for most Utilimaster vehicles in the *Utilimaster Quick Reference Parts Guide*. This illustrated document includes more part numbers for bumpers, door hardware, electrical components, window glass, heater, air conditioner, hood, mirrors, sun visors, vents, mud flaps, roll-up door parts, seats, wiper, and many other parts. It also includes sealants, window replacement, and other repair kits.

Utilimaster Glossary of Terms

If you are not familiar with some of the terminology used in this manual, you can find many Utilimaster and associated industry terms and definitions in the *Utilimaster Glossary of Terms—Body Information Guide*.

Utilimaster Body Service Manual

Read about routine maintenance procedures, troubleshooting, proper adjustment methods, vehicle repair, aftermarket upgrades, and much more in the *Utilimaster Vehicles—Body Service Manual*.

Download Files

Many support documents are downloadable (as Adobe® Acrobat® PDF files) from our web site at www.utilimaster.com. Click on the Technical Manuals button, to access the download page. To view the files you must have the Adobe Acrobat Reader version 3.0 or higher installed on your computer. Acrobat readers are available free for all leading computer operating systems on the Adobe web site (www.adobe.com).

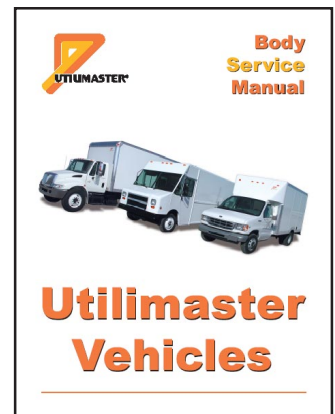
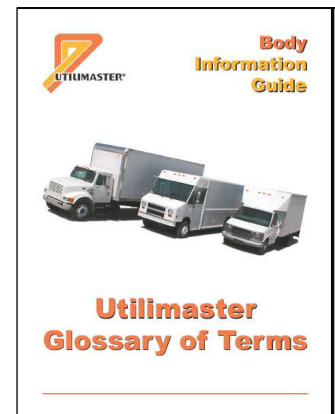
Contact Utilimaster

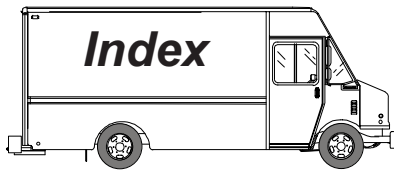
Browse our site for more information about Utilimaster and its products or contact Utilimaster Customer Service by using one of the following methods:

- Call 800-237-7806 (or 574-862-3219).
- Fax to 574-862-7637.
- Email to CustSvc@Utilimaster.com.
- Mail to the following address:

Utilimaster
Attn: Customer Service Department
65528 State Road 19
P.O. Box 585
Wakarusa, IN 46573-0585
U.S.A.

NOTE: When phoning Utilimaster, be aware that our 219 telephone area code changed to 574 in January 2002. The 800 numbers were unaffected.





A

Access

- Battery 28
- Fuel sending unit 32

Address

- National Highway Traffic Safety Administration 13
- U.S. Department of Transportation 13
- Utilimaster
 - Customer service 201
 - Parts department 10
 - Publications department 3
 - Warranty department 12

Air conditioning 82, 172

Appendixes 8, 188

B

Battery access 28

Battery tray 14

Body serial (unit) number 9

BSNR 8

Bulkhead

- Aluminum 116, 188
- Aluminum clad plywood (Blandex) 120
- Blandex 120
- Mesh 122
- Surge bars 124

Bumpers 20, 22, 26, 190, 201

C

Cab

Cowling 38

Floor 28

Matting 90

Options 112

Cargo floor 32

Cargo shelving. See Shelving

Charts 8

Chassis 14, 18, 191

Codes 7

Cowling 38

Customer service 10, 12, 201

D

Dash 68, 72

Decals 112

Decoding part numbers 7

Doorless panel 104, 108

Doors

Bulkhead

Aluminum 116

Aluminum clad plywood (Blandex) 120

Blandex 120

Mesh 122

Hardware 201

Pocket 158

Rear

Roll-up 150

Swing 154

Side

Doorless panel 104, 108

Sedan 102

Slider 98

DSNR 8

E

Echovision 130, 140, 146, 186
Electrical components 180, 186, 201
Electrical harnesses 180, 186
Email 10, 12, 201
Engine cover 38

F

Fan 76, 82, 112
Federal Certification Label 9
Firewall. See Cowling
Floor
 Cab 28
 Cargo 32
 Matting 88, 90
Forms 10, 12
Front cab floor 28
Front structure 42
Fuel fill 32, 126

G

Glass. See Window
Glossary of terms 201

H

Heater 76, 82, 201
Hood
 Aluminum 62
 Fiberglass 58
 RIM 52
Hoses
 Air conditioning 87
 Heater 76, 82

I

Item numbers 7

K

Kickplate 130, 136, 144, 146, 196

L

Lights. See *a/so* Utilimaster Quick Reference Parts Guide
 Headlamps 58
 Rear 130
 Switches 68, 72, 74
 Wire harness 180, 186

M

Matting, floor 88, 90
Metal
 Cowl 38
 Door 98, 102, 154, 193, 194
 Doorless panel 104, 108
 Quarter panel 192
 Rear 130, 140, 193, 197, 199
 Roof 166
 Shelf 158
 Sidewall 126
Mirrors 42, 146, 201. See *a/so* Utilimaster Quick Reference Parts Guide
Model numbers 8
Mud flaps 32, 201

N

Numbers
 Body (unit) serial number 9
 Item 7
 Model 8
 Parts 7
 Phone 10, 12, 13, 201
 VIN 9

P

Parts

- Lists 14
- Numbers 7
- Ordering 10, 11
- Parts guide 8, 201
- Phone numbers 10, 12, 13, 201
- Pipe racks. See Shelving: Laundry racks
- Positive pressure system 174, 176

Q

- Quarter panels 42, 192

R

- Racks. See Shelving
- Radio 112
- Rear door
 - Roll-up 150
 - Swing 154
- Rear structure
 - Full roll-up (standard) 144
 - Full roll-up (wide post) 146
 - Full swing 136
 - Narrow roll-up 140
 - Narrow swing 130
- Revisions 3
- Roof 166, 172

S

- Safety 13
- Seat belts 96
- Seats
 - Jump 192
 - Pedestal 201
- Service manual 201
- Shelving
 - Fold-up 158
 - Laundry racks 162

- Sidewalls 126
- Steps 28
- Sun visors 42, 201
- Surge bars 124

T

- Threshold
 - 28, 126, 130, 136, 140, 144, 146

U

- Utilimaster body (unit) serial number 9
- Utilimaster Body Service Manual 201
- Utilimaster Glossary of Terms 201
- Utilimaster Quick Reference Parts Guide 201

V

- VACS 116, 130, 140, 186
- Vents 112, 126, 166, 172, 201
- VIN 9
- Visors 42, 201

W

- Warranty claims 12
- Web site 3, 10, 12, 201
- Wheelwells 32
- Window 201
 - Bulkhead 120
 - Doorless panel 104, 108
 - Quarter 42
 - Rear roll-up door 150
 - Sedan door 102
 - Sliding door 98
 - Windshield 42
- Wiper system 64, 201
- Wiring schematics 201



Part Number: 03102354-PY00EN